


FUJITSU Software

PRIMECLUSTER

Global Link Services

A decorative horizontal band with a red-to-dark-red gradient, featuring abstract, glowing white and red lines that swirl and intersect, creating a sense of motion and technology.

Configuration and Administration

Guide 4.6

Multipath Function

Oracle Solaris

J2S2-1718-01ENZ0(00)
October 2021

Preface

This manual describes the capabilities, installation and operations of the Global Link Services (the Multipath function).

Who should use this document

This manual is intended for system administrators responsible for the installation and administration of the Multipath function. It is premised that they understand the PRIMECLUSTER which is a basic function of the cluster control, and the description of some terms may be omitted to avoid lengthy expression.

Abstract

This section describes the chapters in this manual.

Chapter 1 Product Outline

Chapter 1 describes the distinctive features of the Multipath function.

Chapter 2 Capabilities

Chapter 2 describes the provided capabilities of the Multipath function and notes for the administrator.

Chapter 3 Configuration

Chapter 3 describes the environmental configuration of the Multipath function.

Chapter 4 Operation

Chapter 4 describes the administrative procedure for the Multipath function.

Chapter 5 Maintenance

Chapter 5 describes the future reference necessary for troubleshooting of the Multipath function.

Chapter 6 Command Reference

Chapter 6 describes how to work with the provided command of the Multipath function.

Chapter 7 Administration on a Cluster System

Chapter 7 describes administration of the Multipath function to use on the cluster system.

Chapter 8 DR (Dynamic Reconfiguration) Function

Chapter 8 describes the environmental configuration methods and the behavior of DR function while using the Multipath function, about each of the DR (Dynamic Reconfiguration) function provided by the ESF (Enhanced Support Facility), the DR function provided by the XSCF (eXtended System Control Facility) of SPARC Enterprise and the PCI Hot Plug function provided by the Oracle Solaris.

Appendix A Messages

Appendix A describes the informational and error messages from the Multipath function.

Appendix B Line Monitoring Function

Appendix B describes the Line monitoring function added by applying the patch for the Multipath function.

Notation conventions

- Material of particular interest is preceded by the following symbols in this manual:



.....
Describes an item to be noted.
.....

Abbreviated name

- Oracle Solaris is abbreviated as "Solaris".
- Enhanced Support Facility is abbreviated as "ESF".

- EXTended System Control Facility is abbreviated as "XSCF".
- Dynamic Reconfiguration is abbreviated as "DR".

Trademark acknowledgments

- FUJITSU and the FUJITSU logo are trademarks of FUJITSU LIMITED.
- Oracle and Java are registered trademarks of Oracle and/or its affiliates. Other names may be trademarks of their respective owners.
- Ethernet is a registered trademark of Xerox Corporation.
- UNIX is a registered trademark of Open Group in the United States and other countries.
- All other products names mentioned herein are trademarks or registered trademarks of their respective owners.

Date of publication and edition

October 2021, First edition

High Risk Activity

This Product is designed, developed and manufactured as contemplated for general use, including without limitation, general office use, personal use, household use, and ordinary industrial use, but is not designed, developed and manufactured as contemplated for use accompanying fatal risks or dangers that, unless extremely high safety is secured, could lead directly to death, personal injury, severe physical damage or other loss (hereinafter "High Safety Required Use"), including without limitation, nuclear reaction control in nuclear facility, aircraft flight control, air traffic control, mass transport control, medical life support system, missile launch control in weapon system. You shall not use this Product without securing the sufficient safety required for the High Safety Required Use. If you wish to use this Product for High Safety Required Use, please consult with our sales representatives in charge before such use.

Requests

- The contents of this manual shall not be disclosed in any way or reproduced in any media without the express written permission of FUJITSU LIMITED.
- The contents of this manual may be revised without prior notice.

All Rights Reserved, Copyright (C) FUJITSU LIMITED 2021

Contents

Chapter 1 Product Outline.....	1
1.1 Multipath Function.....	1
1.1.1 Multipath method.....	1
1.1.2 Multilink Ethernet method.....	2
1.1.2.1 MAC address distribution method.....	4
1.1.2.2 Round-robin distribution method.....	5
1.1.2.3 Destination IP address distribution method.....	6
1.1.2.4 Destination/Source IP address distribution method.....	7
1.2 Benefits.....	8
Chapter 2 Capabilities.....	9
2.1 Outline of Functions.....	9
2.1.1 Fault monitoring function.....	10
2.1.1.1 Fault monitoring.....	10
2.1.1.2 Switching time.....	11
2.1.1.3 Detectable failures.....	11
2.1.1.4 Monitoring start/stop timing.....	11
2.1.2 Switching function.....	11
2.1.3 Reachable remote device.....	13
2.2 Notes.....	13
2.2.1 Notes on installation.....	13
2.2.1.1 General notes.....	13
2.2.1.2 Notes on Multipath method.....	14
2.2.1.3 Notes on Multilink Ethernet method.....	14
2.2.2 Notes on defining the high-layer protocol environment.....	14
2.2.3 Notes on operation.....	14
Chapter 3 Configuration.....	15
3.1 Environmental Configuration.....	15
3.2 /etc/opt/FJSVmpnet/conf/config File.....	15
3.3 /etc/opt/FJSVmpnet/conf/parameters File.....	16
3.4 /etc/opt/FJSVmpnet/conf/hosts File.....	18
3.5 /etc/opt/FJSVmpnet/conf/hosts6 File.....	19
3.6 /etc/opt/FJSVmpnet/conf/hostname File.....	21
3.7 /etc/opt/FJSVmpnet/conf/hostname6 File.....	22
Chapter 4 Operation.....	24
4.1 Start and Stop of Multipath Function.....	24
4.1.1 Starting Multipath function.....	24
4.1.2 Stopping Multipath Function.....	24
4.2 To Display MAC Address Used.....	25
4.3 Multipath Control.....	25
4.4 Start and Stop of TCP/IP Interface.....	25
4.4.1 Starting TCP/IP(IPv4) interface.....	25
4.4.2 Stopping TCP/IP(IPv4) interface.....	25
4.4.3 Starting TCP/IP(IPv6) interface.....	25
4.4.4 Stopping TCP/IP(IPv6) interface.....	25
4.5 To Display the Amount of the Transmission Data.....	26
4.6 To Display the Connection State of Transmission Path.....	26
Chapter 5 Maintenance.....	27
5.1 Gathering Information at Fault Occurrence.....	27
Chapter 6 Command Reference.....	28
6.1 MPNET Activation and Deactivation Commands.....	28
6.1.1 mpnetinit command.....	28

6.1.2 mpnetconfig command.....	28
6.2 MAC Address Display Command.....	29
6.2.1 mpnet_getmac command.....	29
6.3 Multipath Control Command.....	29
6.3.1 iompadm command.....	29
6.3.2 iompadm subcommands.....	30
6.3.2.1 info subcommand.....	31
6.3.2.2 status subcommand.....	33
6.3.2.3 ident subcommand.....	33
6.3.2.4 probe subcommand.....	34
6.3.2.5 recover subcommand.....	34
6.3.2.6 start subcommand.....	34
6.3.2.7 stop subcommand.....	35
6.3.2.8 active subcommand.....	35
6.3.2.9 add subcommand.....	35
6.3.2.10 del subcommand.....	36
6.3.2.11 disconnect subcommand.....	36
6.3.2.12 connect subcommand.....	36
6.3.2.13 version subcommand.....	37
6.3.2.14 help subcommand.....	37
6.4 TCP/IP Interface Activation and Deactivation Commands.....	38
6.4.1 mpnet_ifinit command.....	38
6.4.2 mpnet_ifconfig command.....	38
6.4.3 mpnet_ifinit6 command.....	39
6.4.4 mpnet_ifconfig6 command.....	40
6.5 Cluster Administration Commands.....	40
6.5.1 mpnet_addrid command.....	40
6.5.2 mpnet_delrid command.....	41
6.5.3 mpnet_rid command.....	41
6.5.4 mpnet_copyfile command.....	42
6.6 Display Command of the Amount of the Transmission Data.....	43
6.6.1 mpnetstat command.....	43
6.7 Display Command of the State of Transmission Path.....	45
6.7.1 mpnetlinkwatch command.....	45
Chapter 7 Administration on a Cluster System.....	46
7.1 The Correspondence Outline in a Cluster System.....	46
7.1.1 Standby mode.....	46
7.1.2 Mutual standby mode.....	47
7.1.3 Notes.....	48
7.2 The Environmental Configuration on PRIMECLUSTER.....	48
7.2.1 Adding the Cluster environmental configuration.....	48
7.2.1.1 Environmental configuration.....	49
7.2.1.2 Resource registration.....	50
7.2.1.3 Configuration of procedure resource.....	51
7.2.1.4 Configuration of "userApplication".....	51
7.2.1.5 Notes.....	51
7.2.2 Deleting the Cluster environmental configuration.....	51
7.2.2.1 Deleting resource from "userApplication".....	52
7.2.2.2 Deleting procedure resource.....	52
7.2.2.3 Deleting resource.....	52
7.2.2.4 Notes.....	53
Chapter 8 DR (Dynamic Reconfiguration) Function.....	54
8.1 DR Function of ESF.....	54
8.1.1 For DR function of ESF of Multipath function.....	54
8.1.2 Environmental construction of DR function of ESF.....	54
8.1.3 Operation when DR command is executed.....	55

8.1.3.1 Operation when disconnecting.....	55
8.1.3.2 Operation when connecting.....	55
8.1.3.3 Operation when canceling.....	56
8.1.4 Display messages.....	56
8.1.5 Reply file.....	56
8.2 DR function of XSCF.....	57
8.2.1 For DR function of XSCF of Multipath function.....	57
8.2.2 Environmental construction of DR function of XSCF.....	57
8.2.3 The Procedure of the DR function of XSCF.....	58
8.2.3.1 Disconnection procedure.....	58
8.2.3.2 Connection procedure.....	60
8.2.3.3 Addition procedure.....	61
8.2.3.4 Deletion procedure.....	62
8.3 PCI Hot Plug Function.....	63
8.3.1 PCI Hot Plug function for the Multipath function.....	63
8.3.2 The Procedure of the PCI Hot Plug function.....	63
8.3.2.1 Disconnection procedure.....	63
8.3.2.2 Connection procedure.....	64
8.3.2.3 Addition procedure.....	65
8.3.2.4 Deletion procedure.....	66
Appendix A Messages.....	68
A.1 MPNET Driver Messages.....	68
A.2 MPNET Monitoring Daemon Messages.....	68
A.3 Activation Command Messages.....	69
A.3.1 mpnetinit command messages.....	69
A.3.2 mpnetconfig command messages.....	71
A.4 iompadm Command Messages.....	71
A.5 mpnetstat Command Messages.....	72
A.6 mpnetlinkwatch Command Messages.....	73
Appendix B Line Monitoring Function.....	75
B.1 Line Monitoring Function.....	75
B.1.1 Fault monitoring.....	75
B.1.2 Switching time.....	76
B.1.3 Detectable failures.....	77
B.1.4 Monitoring start/stop timing.....	77
B.2 Configuration of the Line Monitoring Function.....	78
B.2.1 /opt/FJSMpnet/daemon/mpnetpolld.conf file.....	78
B.2.2 /etc/opt/FJSMpnet/conf/switch.conf file.....	80
B.3 Adding/Deleting the Communication Path.....	82
B.3.1 mpnetudtbl command.....	82
B.4 Messages of the Line Monitoring Daemon.....	82

Chapter 1 Product Outline

1.1 Multipath Function

The Multipath function communicates with two or more network interface cards (NICs) by making redundant transmission paths between the NIC and the switch. If an unexpected failure is detected in the transmission path or on the NIC, the communication path is automatically switched to continue communication and to achieve the high-reliability of the communication.

The methods of the Multipath function can be classified into two types:

- Multipath method
- Multilink Ethernet method

Function outlines of the methods are given in Section "1.1.1 Multipath method", and Section "1.1.2 Multilink Ethernet method".

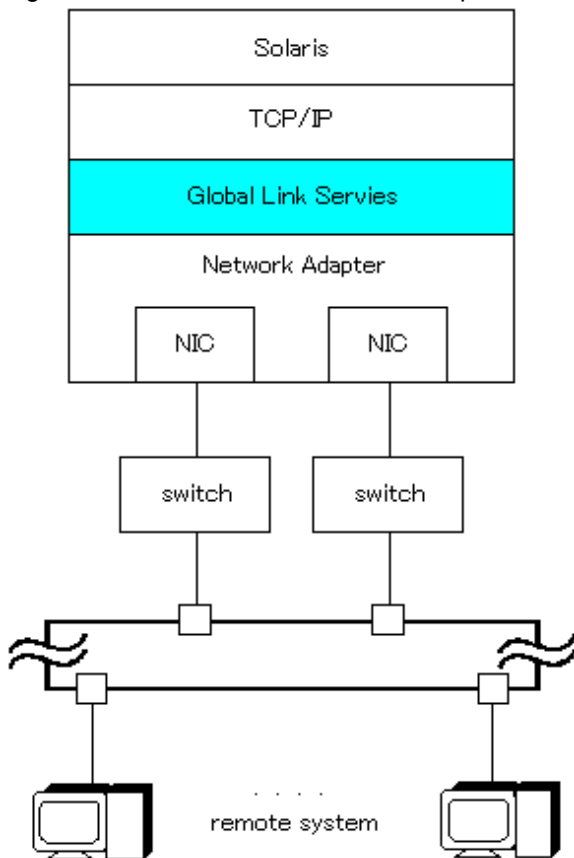
The Multipath function supports the DR function provided by the ESF or XSCF of SPARC Enterprise. And it supports the PCI Hot Plug function (cfgadm(1M) command) provided by the Solaris OS.

1.1.1 Multipath method

The Multipath method communicates with two or more network interface cards (NIC) by making the transmission path between the NIC and the switch redundant, and by an exclusive access of the NIC (one adapter is put into "active" state during normal operation). When unexpected failures are detected in transmission path or on NIC, the online NIC is switched to the standby NIC to achieve the high-reliability of the communication.

On the Multipath method, only TCP/IP can be used as a high-layer protocol.

Figure 1.1 Ethernet connection in Multipath method



The provided functions are listed in "Table 1.1 Functions of Multipath method", and supported LAN driver whom the Multipath function can use is listed in "Table 1.2 Multipath media support".

Please refer to "2.2 Notes" when you use Ethernet.

Table 1.1 Functions of Multipath method

Usable upper protocol		TCP/IP
Fault monitoring function	Fault monitoring	If an abnormal transmission path or abnormal packet is detected by the transmission path monitoring daemon, the online NIC is switched to the standby NIC.
	Switching time	About 10 seconds
	Detectable failure	NIC, cable, and switch failures
	Fault monitoring start/stop	The fault monitoring daemon is started at system initiation and stopped with system termination.
Switching function	Behavior at switching	The communication path of the online NIC is stopped ("fail" status), and the communication path of standby NIC is put into communication ("active" status).
	Switching back operation	It can fail back by executing the Multipath control command (iompadm command) to the "standby" path.
NIC-sharing capability		NICs which compose of the Multipath function cannot be shared by other methods or high-layer protocols.
Reachable (ready to communicate) remote device		Selectable
DR function, PCI Hot Plug function	DR function by the ESF	The DR function is implemented by providing DR scripts.
	DR function by the XSCF of SPARC Enterprise	The DR function by the XSCF of SPARC Enterprise is implemented by the Multipath control command (iompadm command) and XSCF shell commands (deleteboard command or addboard command).
	PCI Hot Plug function	The PCI Hot Plug function are implemented by the Multipath control command (iompadm command) and Solaris cfgadm(1M) command.

Table 1.2 Multipath media support

Media type	Driver name	Supported
Ethernet	bge driver	Not supported
	e1000g driver	Not supported
	nxge driver	Not supported
	ixgbe	Not supported
	igb	Not supported
	qlge	Not supported
	fjgi driver	Supported
	fjxge	Not supported

1.1.2 Multilink Ethernet method

The Multilink Ethernet method uses multiple Ethernet cards and connects to a switch with built-in Multilink Ethernet method. This makes the transmission path between the NIC (LAN card) and the switch redundant, and enables simultaneous use of the NICs (all communication paths are put into "active" state in normal operation). This results in distribution of the data transfer load to multiple components and in a wider band for communication, thereby enhancing transfer efficiency for remote systems.

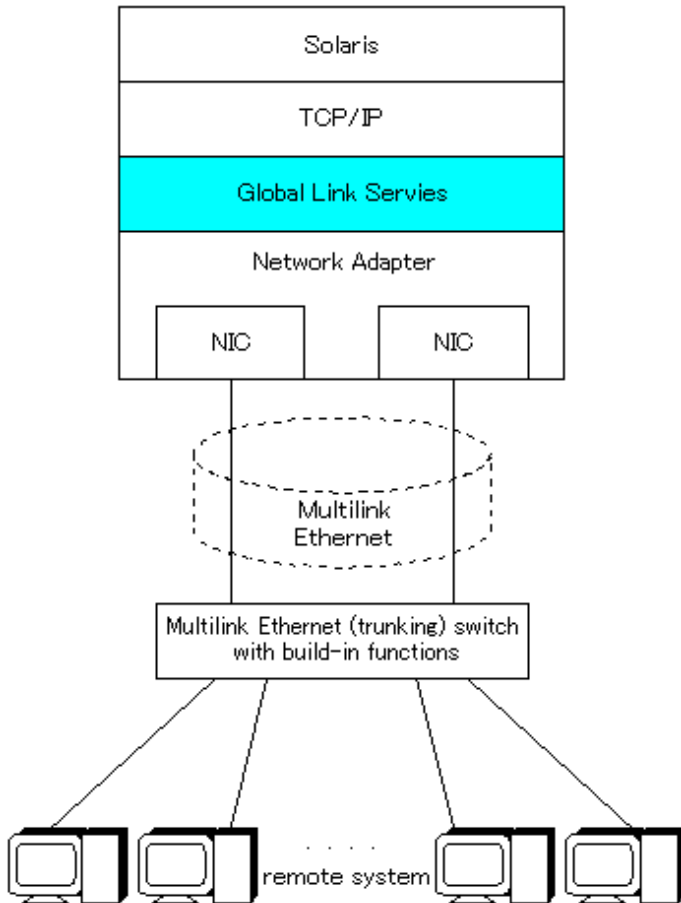
If an unexpected failure is detected in a transmission path or on the NIC, the transmission data path is switched to another online NIC to continue communication.

On the Multilink Ethernet method, only TCP/IP can be used as a high-layer protocol.

 Note

- Use of Multilink Ethernet method requires a switch supporting Multilink Ethernet method.
The names of the Multilink Ethernet method can differ on each switch. For example, the name "Multilink Ethernet function" or "Trunking function" might be used.
- The communication bandwidth of the Multilink Ethernet method can be calculated as "Number of NICs x Transfer speed x Full-duplex". It means only the wider communication bandwidth, does not mean the increasing transfer performance (throughput).
- Multilink Ethernet method and the Trunking function are not data transfer protocols.
They are simply functions for distributing transmission data, and receiving data depend on the distribution method of the switch.
- The Multilink Ethernet method is a function intended to distribute loads and to enhance transfer efficiency by simultaneously using two or more NICs.
If the number of used NICs increases, however, the CPU load rate of the local system might increase as well, affecting transfer performance (throughput) of the entire system.
The transfer performance (throughput) might also be affected by the distribution method adopted by the switch connected to the local system and the network configuration.

Figure 1.2 Multilink Ethernet method



The provided functions are listed in "[Table 1.3 Functions of Multilink Ethernet method](#)". "[Table 1.4 Multilink Ethernet media support](#)" lists the media that can be used in Multilink Ethernet method. Also, be sure to read "[2.2 Notes](#)".

Table 1.3 Functions of Multilink Ethernet method

Usable upper protocol		TCP/IP
Data distribution system	MAC address distribution	Before data is transmitted, the transmission destination NIC is determined based on the remote MAC address.
	Round-robin distribution	Data is transmitted by distributing it evenly to component NICs.
	Destination IP address distribution	Before data is transmitted, the transmission destination NIC is determined based on the remote IP address.
	Destination/Source IP address distribution	Before data is transmitted, the transmission destination NIC is determined based on the remote IP address and the local IP address
Fault monitoring function	Fault monitoring	If an abnormal transmission path or abnormal packet is detected by the transmission path monitoring daemon, another online NIC is selected.
	Switching time	About 10 seconds
	Detectable failure	NIC, cable, and switch failures
	Fault monitoring start/stop	The fault monitoring daemon is started at system initiation and stopped with system termination.
Switching function	Behavior at switching	Communication path of the online NIC is stopped("fail" status), and data transmission is changed to other communication path of the online NIC ("active" status).
	Switching back operation	This operation is not meaningful.
NIC sharing capability		NICs configured for Multipath functions cannot be shared by operations of other types or by the high-layer protocols.
Reachable (ready to communicate) remote device		Selectable
DR function, PCI Hot Plug function	DR function by the ESF	The DR function is implemented by providing DR scripts.
	DR function by the XSCF of SPARC Enterprise	The DR function by the XSCF of SPARC Enterprise is implemented by the Multipath control command (iompadm command) and XSCF shell commands (deleteboard command or addboard command).
	PCI Hot Plug function	The PCI Hot Plug function are implemented by the Multipath control command (iompadm command) and Solaris cfgadm(IM) command.

Table 1.4 Multilink Ethernet media support

Media type	Driver name	Supported
Ethernet	bge driver	Not supported
	e1000g driver	Not supported
	nxge driver	Not supported
	ixgbe	Not supported
	igb	Not supported
	qlge	Not supported
	fjgi driver	Supported
	fjxge	Not supported

1.1.2.1 MAC address distribution method

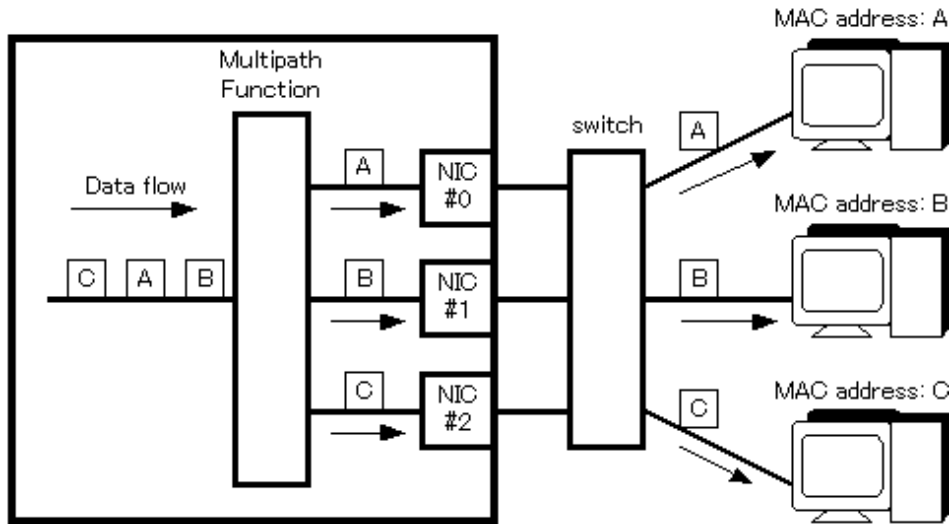
This section explains the Multilink Ethernet MAC address distribution method.

In the MAC address distribution method, the Multipath function independently determines the transmission destination NIC from the remote MAC (transmission destination MAC) address added to the transmission data, and transmits the data.

This method lowers the likelihood of the transmission path being occupied by one remote system if there are many remote systems to be connected and enhances the transmission efficiency of the other remote systems.

"Figure 1.3 Transmission data flow in MAC address distribution method" shows diagrams the transmission data flow in MAC address distribution method.

Figure 1.3 Transmission data flow in MAC address distribution method



Note

- The CPU load rate increases in proportion to the number of used NICs. Therefore, response to the remote system can be expected to improve, but the transfer performance does not necessarily increase.
- The transmission path through which the local system receives data depends on the distribution method of the switch. When the distribution method of the switch is the distribution method by the remote MAC (transmission destination MAC) addresses, the data is received on one transmission path because the local system has only one MAC address. When the distribution method of the switch is the distribution method by the local MAC (transmission source MAC) addresses, the data is received via distributed transmission paths, where the Multipath function efficiently uses the component NICs. This leads to more efficient communication.
- Since a remote MAC (destination MAC) address turns into a MAC address of a router, when the router is installed between the local system and the remote system, the data is not distributed because the transmission path becomes one. When the router is installed between the local system and the remote system, Multilink Ethernet destination IP address distribution method is effective. Multilink Ethernet destination IP address distribution method is shown in subsection "[1.1.2.3 Destination IP address distribution method](#)".

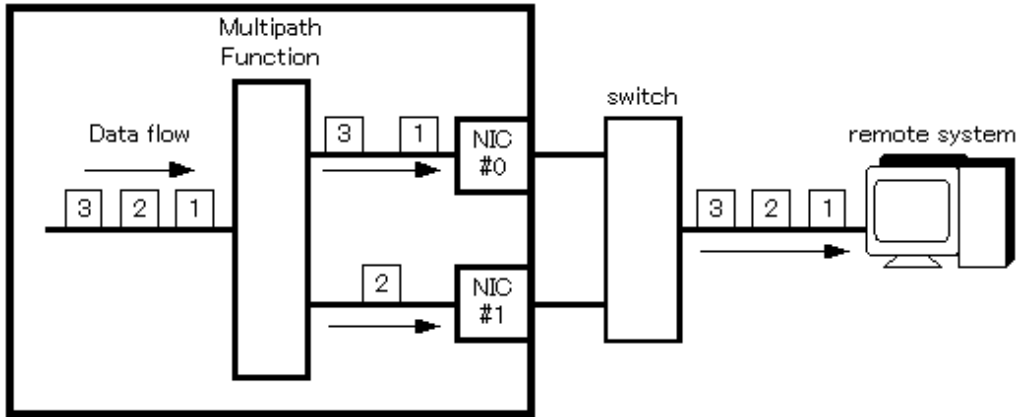
1.1.2.2 Round-robin distribution method

This section explains the Multilink Ethernet round-robin distribution method.

In round-robin distribution method, the Multipath function transmits data by distributing it evenly to the component NICs. This method is effective for normal use because it does not exclusively use the redundant components or NICs whereas the Multipath method and MAC address distribution method do. However, as noted below, this might not lead to improved transfer performance.

"Figure 1.4 Transmission data flow in round-robin distribution method" shows diagrams the transmission data flow in round-robin distribution method.

Figure 1.4 Transmission data flow in round-robin distribution method



Note

- The CPU load rate increases in proportion to the number of NICs used.
 - In round-robin data distribution method, the sequence of transmitting and receiving data cannot be guaranteed because it is affected by data delays and deletions caused by the processing sequence and transmission path noise on the local system and the switches for connection.
- Therefore, it might be necessary to re-transmit data on the high-layer, which adversely affects transfer performance.

1.1.2.3 Destination IP address distribution method

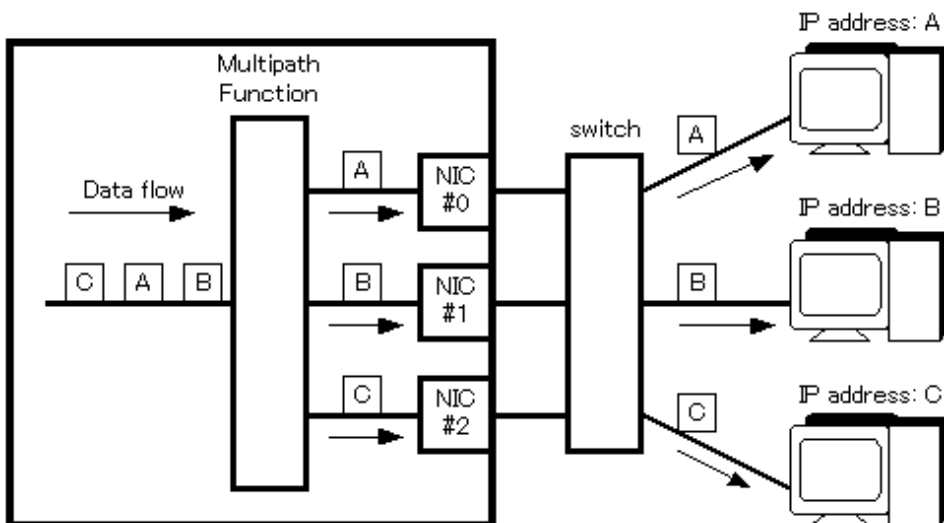
This section explains Multilink Ethernet destination IP address distribution method.

In the destination IP address distribution method, the Multipath function independently determines the transmission destination NIC from the remote IP (transmission destination IP) address added to the transmission data, and transmits the data.

This method lowers the likelihood of the transmission path being occupied by one remote system, if there are many remote systems to be connected, and enhances the transmission efficiency of the other remote systems. In the destination IP address distribution method, the transmission data is distributed even when a router is installed between the local system and the remote system.

"Figure 1.5 Transmission data flow in destination IP address distribution method" shows diagrams the transmission data flow in destination IP address distribution method.

Figure 1.5 Transmission data flow in destination IP address distribution method



Note

- The CPU load rate increases in proportion to the number of used NICs.
Therefore, response to the remote system can be expected to improve, but the transfer performance does not necessarily increase.
- The transmission path through which the local system receives data depends on the distribution method of the switch.
When the distribution method of the switch is the distribution method by a remote IP (transmission destination IP) address, the data is received on one transmission path because the local system has only one MAC address.
When the distribution method of the switch is the distribution method by a local IP (transmission source IP) address, the data is received via distributed transmission paths, where the Multipath function efficiently uses the component NICs. This leads to more efficient communication.

1.1.2.4 Destination/Source IP address distribution method

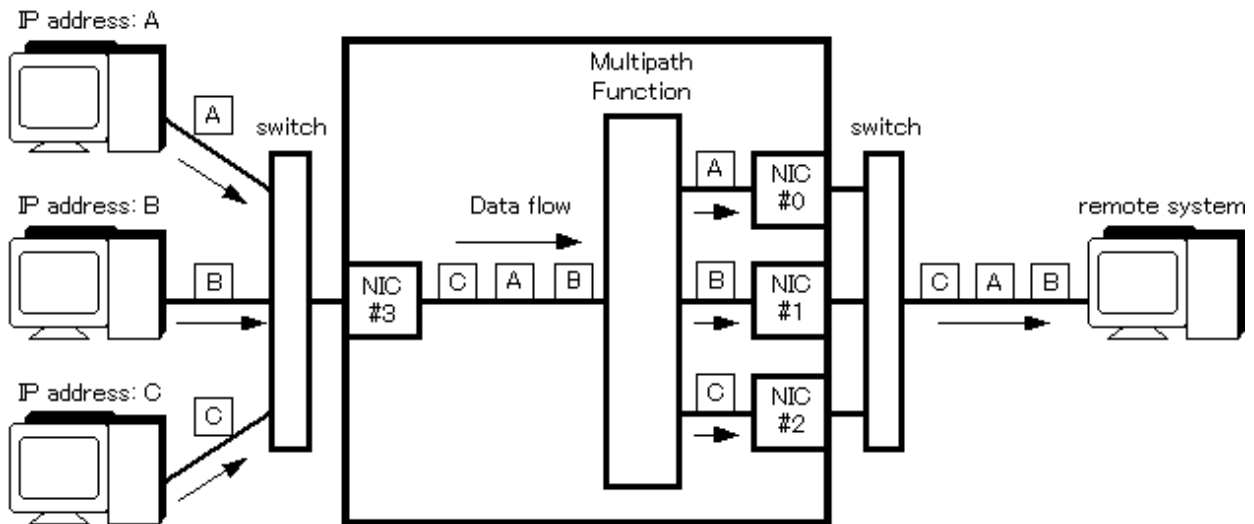
This section explains the Multilink Ethernet destination/source IP address distribution method.

In the destination/source IP address distribution method, the Multipath function independently determines the transmission destination NIC from the remote IP (transmission destination IP) and local IP (transmission source IP) address added to the transmission data, and transmits the data.

This method lowers the likelihood of the transmission path being occupied by one remote system, if there are many remote systems to be connected, and enhances the transmission efficiency of the other remote systems. Moreover, when transmitting data to the same remote system from two or more local systems, e.g. when local system uses it as a router, this method enhances the transmission efficiency of the other transmission source systems.

"[Figure 1.6 Transmission data flow in destination/source IP address distribution method](#)" shows diagrams the transmission data flow in destination/source IP address distribution method.

Figure 1.6 Transmission data flow in destination/source IP address distribution method



Note

- The CPU load rate increases in proportion to the number of used NICs.
Therefore, response to the remote system can be expected to improve, but the transfer performance does not necessarily increase.
- The transmission path through which the local system receives data depends on the distribution method of the switch.
When the distribution method of the switch is the distribution method by a remote IP (transmission destination IP) address, the data is received on one transmission path because the local system has only one MAC address.
When the distribution method of the switch is the distribution method by a local IP (transmission source IP) address, the data is received via distributed transmission paths, where the Multipath function efficiently uses the component NICs. This leads to more efficient communication.

1.2 Benefits

Installing the Multipath function enables you to build a reliable network system where the desirable capabilities such as fault tolerance and high availability are available.

The Multilink Ethernet method provides enhancements in data transfer efficiency and high communication bandwidth.

The Multipath function provides the DR scripts and supports the DR function provided by the ESF. The Multipath function supports the DR function provided by the XSCF of SPARC Enterprise and the PCI Hot Plug function.

The `iompadm` command (I/O Multipath control command) can be used for status display and restoration.

Chapter 2 Capabilities

2.1 Outline of Functions

Using the Multipath function allows you to connect two or more network interface cards (NICs) onto the same network (LAN), and makes the transmission path between the NIC and the switch redundant.

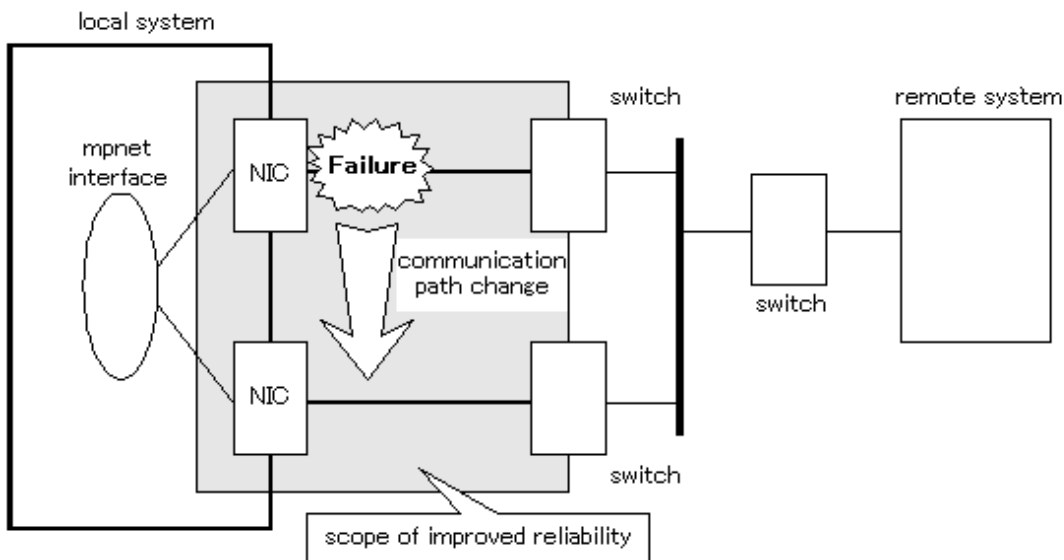
In the Multipath method, one logical interface is used to communicate with the NIC using exclusive access (one adapter is put into "active" state during normal operation). In the Multilink Ethernet method, all NICs are used to communicate (all adapters are put into "active" state).

When some abnormalities are detected between the transmission path or NIC and the switch, the transmission path is switched to continue communication in the Multipath function, the NIC on which some abnormalities are detected is degraded to continue communication in the Multilink Ethernet method.

When a NIC is switched, the MAC address that is set in the environment file is taken over as the default configuration. Therefore, the remote system can continue communicating without sensing the changeover to the standby NIC.

The Multipath function may occasionally be expressed as "MPNET".

Figure 2.1 Operation of Multipath Function Example



- Connection configuration

The duplicated NICs are connected onto the same network. Connection with the remote system is established either on the same network or on the network over the router.

- Feature

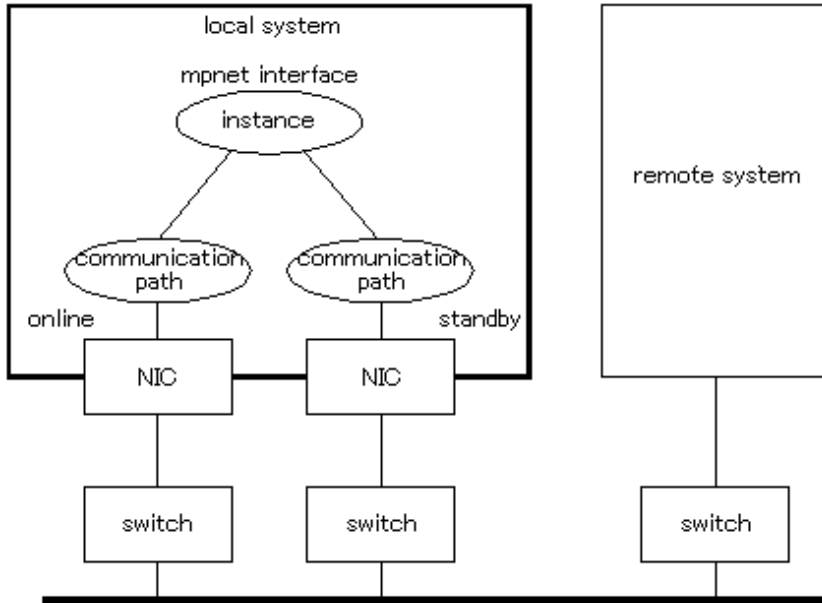
The redundancy of LANs is realized as a function to be common to the product having the other Multipath functions. The *iompadm* command (I/O Multipath control command) can be used for status display and restoration.

- Scope

Multipath function is achieved with TCP/IP to make a duplex LAN system.

The system configuration of the Multipath function is shown in "[Figure 2.2 System Configuration of Multipath Function](#)".

Figure 2.2 System Configuration of Multipath Function



Each component and the meaning are as follows.

- Instance

The logical interface name that the higher level or the user accesses is called the instance. In the Multipath function, the instance is expressed as the MPNET interface.

- Communication path

The physical device name of NIC used is expressed as the communication path.

2.1.1 Fault monitoring function

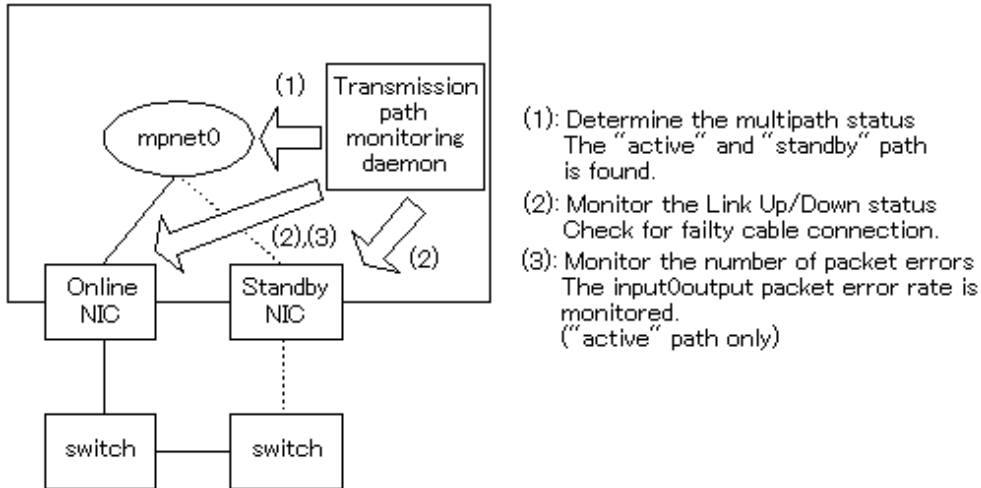
2.1.1.1 Fault monitoring

The connected state (Link up/down) of the transmission path between the online NIC and switch is monitored by the transmission path monitoring daemon to check the error rate of communication (I/O). Moreover, the connected state (Link up/down) of the transmission path between the standby NIC and switch is monitored by the transmission path monitoring daemon.

When some abnormalities are detected in the transmission path between the online NIC and switch, the online NIC is switched to the standby NIC then the monitoring target must be changed into the standby NIC. Moreover, when some abnormalities are detected in the transmission path between standby NIC and switch, the standby NIC will be in the unusable state.

If the communication path that changed into the unusable state by link down detection is recognized to be normal by the transmission path monitoring daemon, it will be restored automatically. It restores in about 5 seconds after the connection state of a transmission path is detected to be normal (Link up).

Figure 2.3 Fault Monitoring of Multipath Function



2.1.1.2 Switching time

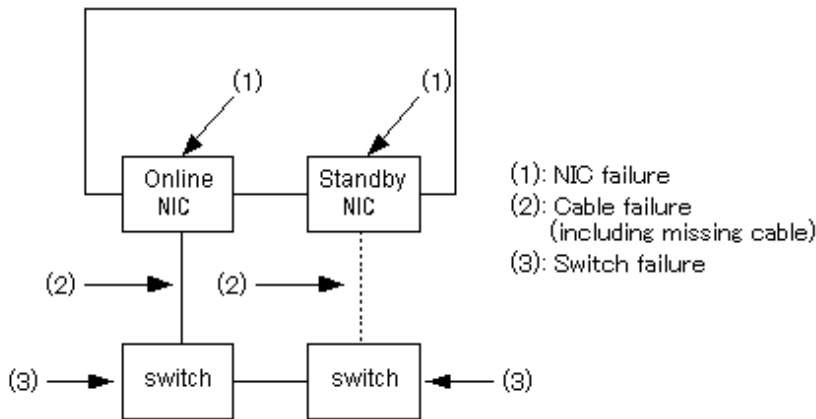
The switching time (error detection time) is about 10 seconds.

The online NIC is monitored in 5 seconds intervals by the transmission path monitoring daemon, and the standby NIC is monitored in 300 seconds intervals. The connection state monitoring of the transmission path will judge that the transmission path is abnormal, if Link down is detected twice consecutively. If abnormalities are detected on the online NIC, the standby NIC will change to online, and if abnormalities are detected on the standby NIC, it will be in the state where it cannot be used. As for the error rate monitoring of the communication packet, the switching is done upon the error rate of the input and output packet reaching 50%.

2.1.1.3 Detectable failures

Multipath function can detect the following failures.

Figure 2.4 Range of Fault Detection by Multipath Function



2.1.1.4 Monitoring start/stop timing

The transmission path monitoring daemon starts automatically when the system is initiated, and stops automatically at system stop. In a cluster system, it starts and stops on each node independently.

The transmission path monitoring daemons are executed on the number of processes of which the logical interfaces are activated. This means that one process of the transmission path monitoring daemon is started for one logical interface.

The process name of the transmission path monitoring daemon is "mpnetd".

2.1.2 Switching function

State transition of communication paths

Each used communication path has the state (status) for the switching operation. The state transition of the communication path is explained in "Figure 2.5 State Transition of a Communication Path". The meaning of those states is shown in "Table 2.1 Descriptions of the states of communication paths".

It is possible to refer to the state of the communication path only when it was able to activate normally. Refer to Subsection "6.3.2.1 info subcommand" or "6.3.2.2 status subcommand" of "6.3 Multipath Control Command" for the method of monitoring the state of the communication path.

Moreover, refer to "6.3 Multipath Control Command" for the subcommand used for the state transition.

Refer to "Chapter 8 DR (Dynamic Reconfiguration) Function" for the DR function and the PCI Hot Plug function.

Figure 2.5 State Transition of a Communication Path

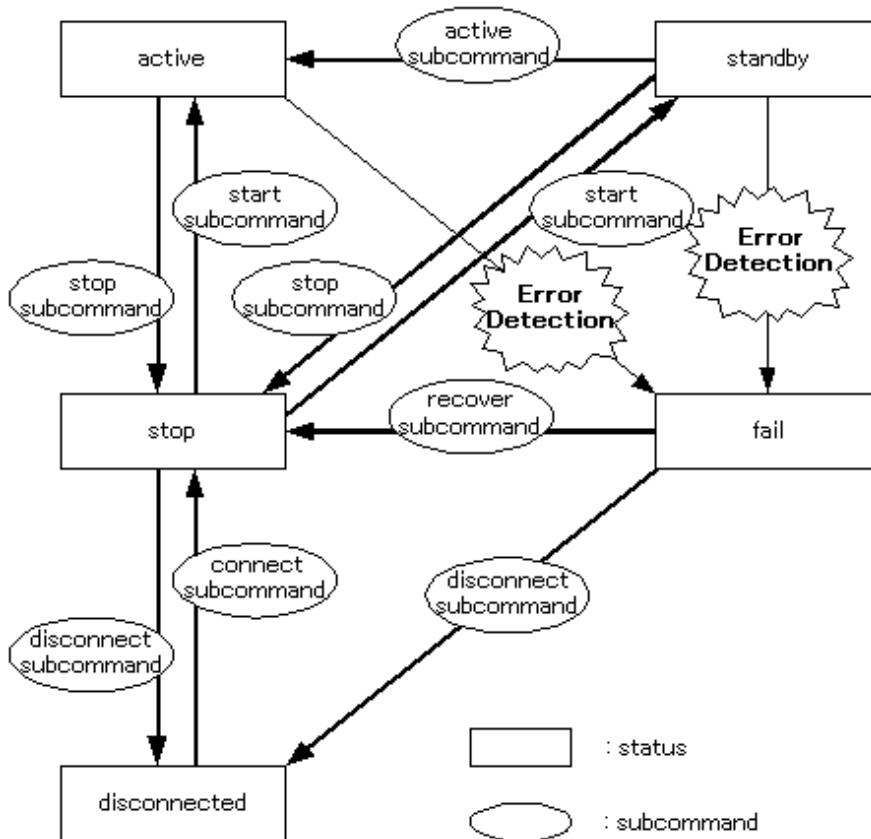


Table 2.1 Descriptions of the states of communication paths

State	Description
active	Communicating/Ready to communicate
standby	Ready to communicate but the standby state
stop	Stopped
fail	Disabled due to error detection
disconnected	Disconnected state
busy	Processing

Switching operation

When status of the communication path is displayed, the online NIC shows "active" state. When switching the online NIC, the driver software searches the standby NIC of "standby" state, and the MAC address configured by the environmental setting is taken over to the

standby NIC.

Upon detection of an error, console messages are output from the driver software and the transmission path monitoring daemon.

By detecting abnormalities, the online NIC changes from "active" state to "fail" state to switch to the standby NIC. The standby NIC changes from "standby" state to "active" state to continue communicating with the remote system.

Operation of switching back

In the Multipath method, the "standby NIC" is changed from "standby" state into "active" state by executing "*active* subcommand", and communication is continued.

At this time, the online NIC in "active" state changes to "standby" state.

And, "standby" state changes from "fail" state in executing "*recover* subcommand" and "*start* subcommand", and can be reused as the standby NIC.

2.1.3 Reachable remote device

The devices that communicate with TCP/IP can be targeted.

2.2 Notes

2.2.1 Notes on installation

2.2.1.1 General notes

- When using Multipath function, if the media listed in "[Table 2.2 Supported driver version of the media](#)" is used, the driver version shown in the table is required.
- When Solaris is installed, a configuration file with the name "hostname.interface_name (e.g. hostname.fjgi0)" for a TCP/IP interface is created in the /etc area when making the network settings, such as the configuration for the basic interface (e.g. fjgi0).
When using the Multipath function, /etc/hostname.interface_name and /etc/hostname6.interface_name files for device s configuring the logical interface of the Multipath function must not be included. For example, if the fjgi0 device is used in the Multipath function, the file /etc/hostname.fjgi0 must be deleted.
When using the Multipath function, skip the network setup of the device during installation of Solaris. If this is not possible, restart the system in single user mode after configuring the network and delete the /etc/hostname.interface_name and /etc/hostname6.interface_name files.
- The maximum number of devices (the number of communication paths) that one logical interface can use is eight. Because the main system has mounting restrictions on the number of NIC to be used, the number of devices to be installed must be checked.
- The number of MPNET interfaces that can be configured is up to 16 interfaces.
- When using the Jumbo Frames feature, refer to the manual of the driver.
- When the TCP/IP interface is used, the Multipath function will not support IPv4 tunnel and IPv6 tunnel.
- The communications that use SNMP (Simple Network Management Protocol) are not supported.
- The Multipath Function cannot use the hub.
- The Multipath Function does not support Solaris Containers (Zones). The MPNET interface can not be used as a network interface of a Non-Global Zone.
- The Multipath Function does not support Solaris 11.
- The Multipath Function does not support 10 Gigabit Ethernet.

Table 2.2 Supported driver version of the media

Media (NIC name)	Driver name and version
Dual Gigabit Ethernet card (SE0X7GD1X/SE0X7GD2X) Quad Gigabit Ethernet card (SE0X7GQ1X/SE0X7GQ2X)	FUJITSU PCI Gigabit Ethernet 3.0 Update1 or later (*1)

*1: When the FUJITSU PCI Gigabit Ethernet 4.0 or later is used, the Multipath function will not support.

Table 2.3 Jumbo Frames supported driver

Driver name and version	MTU configuration file (*1)
FUJITSU PCI Gigabit Ethernet 3.0 Update1 or later	/etc/system and /etc/hostname.fjgiX

*1: X means instance number.

2.2.1.2 Notes on Multipath method

- A maximum of eight devices (communication paths) can be used by one MPNET interface.
Because the main system has restrictions on the number of NIC to be used, the number of devices to be mounted must be checked.

2.2.1.3 Notes on Multilink Ethernet method

- The switches used for interconnection must have the Multilink Ethernet or Trunking function.
- A maximum of eight devices (communication paths) can be used by one MPNET interface.
Because the main system has restrictions on the number of NIC to be used, the number of devices to be mounted must be checked.
- Only TCP/IP can be used as the high-layer protocol.
- When using Multilink Ethernet method, CPU(frequency) based on the following expression is needed as a standard.

The total frequency = The frequency per one Ethernet port(*1) * the number of port * 1.3 *1: The frequency is more than 500 MHz.

2.2.2 Notes on defining the high-layer protocol environment

- Depending on the high-layer protocols, you must configure the resending interval and the frequency of retry. You must set the retry time longer than 10 seconds because it takes about 10 seconds for switching the Multipath function.
- Process might come to remain stopped waiting for receipt of data, if the transmission path is switched by a high-layer protocol or the application software. In such a case, the monitoring function set to the non-communication state can be used for the high-layer protocol.

2.2.3 Notes on operation

- The Multipath function detects abnormality after about ten seconds and does the path switch. However, the communication might not be restarted at once by re-study of the switch or the retry time of high-layer protocol.

Chapter 3 Configuration

3.1 Environmental Configuration

This chapter explains the environmental configuration of Multipath function.

In the configuration of the Multipath function, the environmental configuration files are provided beforehand. Use text editor to configure the following files.

- 3.2 /etc/opt/FJSVmpnet/conf/config File
- 3.3 /etc/opt/FJSVmpnet/conf/parameters File
- 3.4 /etc/opt/FJSVmpnet/conf/hosts File
- 3.5 /etc/opt/FJSVmpnet/conf/hosts6 File
- 3.6 /etc/opt/FJSVmpnet/conf/hostname File
- 3.7 /etc/opt/FJSVmpnet/conf/hostname6 File

3.2 /etc/opt/FJSVmpnet/conf/config File

The physical device name of LAN used for the communication path that is composed by MPNET (that is, the interface to be activated) is defined in this file. The configuration of this file cannot be omitted.

The following configuration samples are provided in this file. Copy the line to be used from the sample to configure the configuration.

```
#ident "@(#)config Rel 2.2 02/06/06 FUJITSU"
#
#       /etc/opt/FJSVmpnet/conf/config file
#
#
# Set the starting interface name on the this machine.
#
# format:
# interface-name  media-type   lan-interface:lan-interface:....
#
# example:
# mpnet0          ether        hme0:hme1
# mpnet1          ether        ge0:ge1
#
```

The form of the entry is shown below.

interface-name media-type lan-interface:lan-interface:....

Each parameter is explained as follows.

interface-name

This indicates the interface name of MPNET.

The interface name is composed of the driver name "mpnet" in lower-case and the instance number (decimal number).

Unique values must be specified in the same configuration.

media-type

This indicates the type of the physical device of LAN used. The device type of "[Table 3.1 Device type List](#)" can be specified.

Table 3.1 Device type List

Device type	Explanation
ether	When you use Ethernet card.

lan-interface

This indicates the physical device name of LAN used.

Note

- The device from which operational mode differs cannot be used together in one MPNET interface.
- Make sure there is no double specification of the same physical device name of LAN. Even if the same physical device name of LAN is specified in different interfaces, it does not become an error.
- In the Multipath function, the "/etc/hostname.interface-name" file which corresponds to the physical interface which the Multipath function composes must not exist. Please delete the corresponding /etc/hostname.interface-name file, if it exists.

The configuration example is shown in the following:

- Example of Ethernet connection and environmental configuration

```
#ident "@(#)config Rel 2.2 02/06/06 FUJITSU"
#
#       /etc/opt/FJSVmpnet/conf/config file
#
#
# Set the starting interface name on the this machine.
#
# format:
# interface-name  media-type   lan-interface:lan-interface:...
#
# example:
# mpnet0          ether        hme0:hme1
# mpnet1          ether        ge0:ge1
#
mpnet0           ether        fjgi0:fjgi1
mpnet1           ether        fjgi2:fjgi3
```

3.3 /etc/opt/FJSVmpnet/conf/parameters File

Operation information for MPNET on each interface is defined. This configuration cannot be omitted.

The following configuration samples are provided in this file. Copy the line to be used from the sample to configure the configuration for the communication type.

```
#ident "@(#)config Rel 2.2 02/06/07 FUJITSU"
#
#       /etc/opt/FJSVmpnet/conf/parameters file
#
#
# Set the interface parameters on the this machine.
#
# format:
# interface-name  MAC-address:func-mode:trunk-mode  cluster
#
```

```
# example:
# mpnet0      - : 0 : 0          none
# mpnet1      020000000000 : 0 : 0  none
#
```

The form of the entry is shown below.

interface-name MAC-address:func-mode:trunk-mode cluster

Each parameter is explained as follows.

interface-name

This indicates the interface name of the MPNET.

See the section "[3.2 /etc/opt/FJSVmpnet/conf/config File](#)" to specify the interface name.

Unique values must be specified in the same configuration.

MAC-address

This indicates MAC address.

The specified MAC address is used to takeover in the communication paths that are composed of one interface.

To have the MAC address taken over in the communication path, specify "-" in the global MAC address.

To replace the MAC address with other values for takeover, specify your MAC address with the 12 digit hexadecimal number.



Note

- Neither multicast address nor broadcast address can be specified for the MAC address.
- In the cluster system, if "-" (global MAC address) is specified for the MAC address, the global MAC address of each node is used for the MAC address. Therefore, the MAC address of an online node cannot be taken over by the MAC address of a standby node. The MAC address value must be specified, if you make a standby node use the MAC address of an online node.

func-mode

Function mode

The following values can be specified. The value of "[Table 3.2 Value of Function mode List](#)" can be specified.

Table 3.2 Value of Function mode List

values	Function mode
0	Use Multipath method.
1	Use Multilink Ethernet method.

If any other value is specified, the mode cannot be activated.

trunk-mode

Multilink Ethernet data distribution method

This parameter is valid if 1 (Multilink Ethernet method) is specified in the func-mode parameter. If 0 (Multipath method) is specified, specify 0 for this parameter.

The following values can be specified.

The value of "[Table 3.3 Value of Multilink Ethernet data distribution method List](#)" can be specified.

Table 3.3 Value of Multilink Ethernet data distribution method List

values	Multilink Ethernet data distribution method
0	Use the MAC address distribution method.
1	Use the round-robin distribution method.
2	Use the destination IP address distribution method.
3	Use the destination/source IP address distribution method.

If any other value is specified, the Multilink Ethernet data distribution method cannot be activated.

cluster

This indicates the cluster configuration.

Choose one of the following for the target interface:

Specify "none" for no cluster target.

Specify space (blank) for the cluster target.

Refer to "[Chapter 7 Administration on a Cluster System](#)" for the environmental configuration method of cluster system.

The configuration example is shown in the following:

- Environmental configuration example of Ethernet connection

```
#ident "@(#)config Rel 2.2 02/06/07 FUJITSU"
#
#       /etc/opt/FJSVmpnet/conf/parameters file
#
#
# Set the interface parameters on the this machine.
#
# format:
# interface-name  MAC-address:func-mode:trunk-mode  cluster
#
# example:
# mpnet0          -:0:0                          none
# mpnet1          020000000000:0:0                none
#
mpnet0           -:0:0                          none
mpnet1           020000000001:0:0                none
```

3.4 /etc/opt/FJSVmpnet/conf/hosts File

The IPv4 interface that uses TCP/IP is specified.



Note

- This configuration allows you to activate and deactivate the TCP/IP interface using with the mpnet_ifinit command or the mpnet_ifconfig command. If the interfaces are used in a cluster system, you cannot activate nor deactivate the interfaces using with these commands.
- Please do not specify the "hostname.mpnetX" in the /etc directory when you do this configuration. In the Multipath function, the interface set in this file corresponds to "hostname.interface".
- To specify the hostname, define the IP address in the /etc/inet/hosts file, and define the net mask value in /etc/inet/netmasks file, if necessary. Refer to the Solaris manual for setting IP address and the netmask value.
- When using a TCP/IP interface for the cluster system, it is necessary to set up this configuration for the online node and the standby node. Moreover, when using IP address takeover, it is necessary to set up the IP address taken over in the /etc/inet/hosts file of each node.
- IPv4 tunnel and IPv6 tunnel are not supported by this product.
- The trailer protocol is not supported by this product.

The following configuration samples are provided in this file. Copy the line to be used from the sample to define the configuration for the communication type.

```
#ident "@(#)config Rel 2.2 02/06/07 FUJITSU"
```



```

#
#       /etc/opt/FJSVmpnet/conf/hosts file
#
#
# Set the IP host name on the this machine.
#
# format:
# interface-name  hostname
#
# example:
# mpnet0          server1
# mpnet1          server2
#

```

The form of the entry is shown below.

interface-name hostname

Each parameter is explained as follows.

interface-name

This indicates the interface name of the MPNET.

See the section "[3.2 /etc/opt/FJSVmpnet/conf/config File](#)" to specify the interface name.

Unique value must be specified in the same configuration.

hostname

This indicates the IPv4 address or the host name that is specified in the /etc/inet/hosts file.

The configuration example is shown in the following:

```

#ident "@(#)config  Rel 2.2 02/06/07  FUJITSU"
#
#       /etc/opt/FJSVmpnet/conf/hosts file
#
#
# Set the IP host name on the this machine.
#
# format:
# interface-name  hostname
#
# example:
# mpnet0          server1
# mpnet1          server2
#
mpnet0          srv_host0
mpnet1          srv_host1

```

3.5 /etc/opt/FJSVmpnet/conf/hosts6 File

The IPv6 interface that uses TCP/IP is defined.

Note

- This configuration enables activating and deactivating the TCP/IP interface using the `mpnet_ifinit6` command or the `mpnet_ifconfig6` command. If the interfaces are used in a cluster system, you cannot activate nor deactivate the interfaces using with these commands.

- Please do not specify the "hostname6.mpnetX" file in the /etc directory when you do this configuration. In the Multipath function, the interface set in this file corresponds to "hostname6.interface".
- The host name cannot be specified. It is necessary to specify the IPv6 address directly. When specification of the IPv6 address is omitted, arbitrary IPv6 addresses are assigned by Solaris system.
- When using a TCP/IP interface for the cluster system, it is necessary to set up this configuration for the online node and the standby node.
- The trailer protocol is not supported by this product.



The following configuration samples are provided in this file. Copy the line to be used from the sample to define the configuration for the communication type.

```
#ident "@(#)config Rel 2.2 02/06/07 FUJITSU"
#
#       /etc/opt/FJSVmpnet/conf/hosts6 file
#
#
# Set the IPv6 host name on the this machine.
#
# format:
# interface-name IPv6-address
#
# example:
# mpnet0         fe80::1000:0001/112
# mpnet1
#
```

The form of the entry is shown below.

interface-name IPv6-address

Each parameter is explained as follows.

interface-name

This indicates the interface name of the MPNET.
 See the section "[3.2 /etc/opt/FJSVmpnet/conf/config File](#)" to specify the interface name.
 Unique values must be specified in the same configuration.

IPv6-address

This indicates IPv6 address.
 The IPv6 address can be omitted. When the IPv6 address is omitted, the IPv6 address is arbitrarily assigned by the Solaris system at activation.

The configuration example is shown in the following:

```
#ident "@(#)config Rel 2.2 02/06/07 FUJITSU"
#
#       /etc/opt/FJSVmpnet/conf/hosts6 file
#
#
# Set the IPv6 host name on the this machine.
#
# format:
# interface-name IPv6-address
#
# example:
```

```
# mpnet0          fe80::1000:0001/112
# mpnet1
#

mpnet0          fe80::abcd:ef01:2345:0101/112
mpnet1
```

3.6 /etc/opt/FJSVmpnet/conf/hostname File

The IPv4 virtual interfaces to be associated with the MPNET interface configured in "3.4 /etc/opt/FJSVmpnet/conf/hosts File" are defined. This specification can be omitted. This configuration is effective, when two or more logical IPv4 addresses are required (e.g. when using destination/source IP address distribution method of Multilink Ethernet method etc.).

The following configuration samples are provided in this file. Copy the line to be used from sample to specify the configuration.

```
#ident "@(#)config Rel 2.2 02/06/07 FUJITSU"
#
#      /etc/opt/FJSVmpnet/conf/hostname file
#
# Set the virtual IP host name on the this machine.
#
# format:
# interface-name(VIF) hostname
#
# example:
# mpnet0:1          server1
# mpnet1:1          server2
#
```

The form of the entry is shown below.

interface-name(VIF) hostname

Each parameter is explained as follows.

interface-name(VIF)

The logical interface name over the logical interface of MPNET is specified.

The virtual interface name is expressed by adding ":" and instance number (number of 1-255) to the logical interface name that is specified in the "3.2 /etc/opt/FJSVmpnet/conf/config File".

hostname

This indicates the IPv4 address or the host name that is specified in the /etc/inet/hosts file.

The configuration example is shown in the following.

```
#ident "@(#)config Rel 2.2 02/06/07 FUJITSU"
#
#      /etc/opt/FJSVmpnet/conf/hostname file
#
# Set the virtual IP host name on the this machine.
#
# format:
# interface-name(VIF) hostname
#
```

```
# example:
# mpnet0:1          server1
# mpnet1:1          server2
#

mpnet0:1           srv_host0_1
mpnet1:1           srv_host1_1
```

Note

- This configuration enables activating and deactivating the TCP/IP interface using with the `mpnet_ifinit` command or the `mpnet_ifconfig` command. If the interfaces are used in a cluster system, you cannot activate nor deactivate the interfaces using with these commands.
- To specify the hostname, define the IP address in the `/etc/inet/hosts` file, and define the net mask value in `/etc/inet/netmasks` file if necessary. Refer to the Solaris manual for setting the IP address and the net mask value.
- When using cluster system, IP address takeover by the logical IP address is not supported. When using IP address takeover, it is necessary to use the takeover that used the IPv4 address of the MPNET interface.

3.7 /etc/opt/FJSVmpnet/conf/hostname6 File

The IPv6 virtual interfaces to be associated with the MPNET interface configured in "[3.5 /etc/opt/FJSVmpnet/conf/hosts6 File](#)" are defined. This specification can be omitted. This configuration is effective, when two or more logical IPv6 addresses are required (e.g. when using destination/source IP address distribution method of Multilink Ethernet method etc.).

The following configuration samples are provided in this file. Copy the line to be used from the sample to specify the configuration.

```
#ident "@(#)config Rel 2.2 02/06/07 FUJITSU"
#
#      /etc/opt/FJSVmpnet/conf/hostname6 file
#
#
# Set the virtual IPv6 host name on the this machine.
#
# format:
# interface-name(VIF) IPv6-address
#
# example:
# mpnet0:1          fe80::0101:0001/112
# mpnet1:1          fe80::0201:0001/112
#
```

The form of the entry is shown below.

interface-name(VIF) IPv6-address

Each parameter is explained as follows.

interface-name(VIF)

The logical interface name over the logical interface of MPNET is specified.

The logical interface name is expressed by adding ":" and instance number (number of 1-255) to the MPNET interface name that specified in the "[3.2 /etc/opt/FJSVmpnet/conf/config File](#)".

IPv6-address

This indicates an IPv6 address. In this setup, the IPv6 address is required.

The configuration example is shown in the following.

```
#ident "@(#)config Rel 2.2 02/06/07 FUJITSU"
#
#       /etc/opt/FJSVmpnet/conf/hostname6 file
#
#
# Set the virtual IPv6 host name on the this machine.
#
# format:
# interface-name(VIF) IPv6-address
#
# example:
# mpnet0:1           fe80::0101:0001/112
# mpnet1:1           fe80::0201:0001/112
#
mpnet0:1           fe80::0102:0304:0506/112
mpnet1:1           fe80::0123:4567:0001/112
```

Note

- This configuration enables activating and deactivating the TCP/IP interface using with the `mpnet_ifinit6` command or the `mpnet_ifconfig6` command. If the interfaces are used in a cluster system, you cannot activate nor deactivate the interfaces using with these commands.
- The host name cannot be specified. Moreover, specification of an IPv6 address is required.
- When using a cluster system, the IP address takeover by the logical IP address is not supported. When using IP address takeover, it is necessary to use the takeover that used the IPv6 address of the MPNET interface.

Chapter 4 Operation

This chapter explains the ways to operate the Multipath function.

The following commands can be used to administer the Multipath function.

Available commands are listed in "[Table 4.1 Multipath Function commands](#)".

See "[Chapter 6 Command Reference](#)" for further instruction of each command.

Table 4.1 Multipath Function commands

Type	Command	Description	Permission
Starting/Stopping of Multipath Function	/opt/FJSVmpnet/bin/mpnetinit	The MPNET interfaces that have been configured are activated/deactivated.	Super-user
	/opt/FJSVmpnet/bin/mpnetconfig	The specified interface that has been configured is activated/deactivated.	Super-user
Display of MAC address	/opt/FJSVmpnet/bin/mpnet_getmac	The MAC address of the specified interface is displayed.	Super-user
Multipath control	/usr/opt/FJSViomp/bin/iompadm	The configuration information of MPNET, status displays, and the communication paths are restored.	Super-user
Starting/Stopping of TCP/IP interface	/opt/FJSVmpnet/bin/mpnet_ifinit	The IPv4 interfaces that use the MPNET are activated/deactivated.	Super-user
	/opt/FJSVmpnet/bin/mpnet_ifconfig	The specified IPv4 interfaces that use the MPNET are activated/deactivated.	Super-user
	/opt/FJSVmpnet/bin/mpnet_ifinit6	The IPv6 interfaces that use the MPNET are activated/deactivated.	Super-user
	/opt/FJSVmpnet/bin/mpnet_ifconfig6	The specified IPv6 interfaces that use the MPNET are activated/deactivated.	Super-user
Display of the amount of the transmission data	/opt/FJSVmpnet/bin/mpnetstat	The amount of the transmission data of the specified interface is displayed.	Super-user
Display of the connection state of transmission path.	/opt/FJSVmpnet/bin/mpnetlinkwatch	The connection state of the transmission path of the specified interface and the specified path is displayed.	Super-user

4.1 Start and Stop of Multipath Function

This section explains how to activate and terminate the Multipath function.

4.1.1 Starting Multipath function

When the system is activated, all interfaces are automatically activated by the Multipath Function.

To start all the configured interfaces, use the mpnetinit command. To start a specific interface, that is already configured, use the mpnetconfig command.

For details, please refer to "[6.1.1 mpnetinit command](#)" and "[6.1.2 mpnetconfig command](#)".

4.1.2 Stopping Multipath Function

The Multipath Function is automatically terminated at system termination.

To stop all the configured interfaces, use the mpnetinit command. To stop a specific interface, use the mpnetconfig command.

For details, please refer to "[6.1.1 mpnetinit command](#)" and "[6.1.2 mpnetconfig command](#)".



Note

- To terminate all interfaces, stop the high-layer protocols that use the interfaces first, before executing the command. To terminate specific interfaces, stop the high-layer protocols that use the target interface before executing the command. Whether the high-layer protocol for each interface can be terminated or all interfaces are terminated depends on the command specification of the high-layer protocol.
For TCP/IP interface, the `mpnet_ifinit` command or the `mpnet_ifconfig` command can be used.
- When using a system as the NFS server, the Multipath Function cannot be stopped using these commands.

4.2 To Display MAC Address Used

To display the MAC address of the interface defined in environmental configuration file of the Multipath Function, use the `mpnet_getmac` command.

4.3 Multipath Control

To show the configuration information of the online interface and the status display of each communication path, the `iompadm` command is issued.

The `iompadm` command is also used to restore communication path failure.

For details, please refer to "[6.3.1 iompadm command](#)" and "[6.3.2 iompadm subcommands](#)".

4.4 Start and Stop of TCP/IP Interface

This section explains how to start and stop the TCP/IP interface that has the environmental configuration.

4.4.1 Starting TCP/IP(IPv4) interface

When the system is activated, the TCP/IP interface is automatically started.

To start all the IPv4 interfaces that have been configured, the `mpnet_ifinit` command is used. To start a specific IPv4 interface that has been configured, the `mpnet_ifconfig` command is used.

For details, please refer to "[6.4.1 mpnet_ifinit command](#)" and "[6.4.2 mpnet_ifconfig command](#)".

4.4.2 Stopping TCP/IP(IPv4) interface

The TCP/IP interface is automatically terminated at system termination.

To stop all the IPv4 interfaces that have been configured, the `mpnet_ifinit` command is used. To stop a specific IPv4 interface, the `mpnet_ifconfig` command is used.

For details, please refer to "[6.4.1 mpnet_ifinit command](#)" and "[6.4.2 mpnet_ifconfig command](#)".

4.4.3 Starting TCP/IP(IPv6) interface

When the system is activated, the TCP/IP interface is automatically started.

To start all the IPv6 interfaces that have been configured, the `mpnet_ifinit6` command is used. To start a specific IPv6 interface that has been configured, the `mpnet_ifconfig6` command is used.

For details, please refer to "[6.4.3 mpnet_ifinit6 command](#)" and "[6.4.4 mpnet_ifconfig6 command](#)".

4.4.4 Stopping TCP/IP(IPv6) interface

The TCP/IP interface is automatically terminated at system termination.

To stop all the IPv6 interfaces that have been configured, the `mpnet_ifinit6` command is used. To stop a specific IPv6 interface that has been configured, the `mpnet_ifconfig6` command is used.

For details, please refer to "[6.4.3 mpnet_ifinit6 command](#)" and "[6.4.4 mpnet_ifconfig6 command](#)".

4.5 To Display the Amount of the Transmission Data

By using the `mpnetstat` command, the amount of the transmission data of the interface defined in the environmental configuration file of Multipath Function is displayed.

The display of the amount of transmission data is used when displaying the amount of data distributed by the Multilink Ethernet method. For details, please refer to "[6.6.1 mpnetstat command](#)".

4.6 To Display the Connection State of Transmission Path

By using the `mpnetlinkwatch` command, the connection state (Link up/down) of the transmission path of the communication path which constitutes the interface defined as the environmental configuration file of a Multipath Function can be displayed.

For details, please refer to "[6.7.1 mpnetlinkwatch command](#)".

After exchanging a NIC by the DR function or PCI Hot Plug function, in order to confirm whether there is any connection mistake of a cable, the connection state of a transmission path is displayed.

Please refer to "[Chapter 8 DR \(Dynamic Reconfiguration\) Function](#)" for information about the DR Function and PCI Hot Plug function.

Chapter 5 Maintenance

Chapter 5 explains the commands as the future reference necessary for troubleshooting the Multipath Function.

5.1 Gathering Information at Fault Occurrence

Gather the following information for further investigation when an abnormality occurs in the Multipath Function.

- Content of operation and error messages
- Console log (/var/adm/messages file)
- Environmental configuration files
- Output of iompadm info command
- Output of ifconfig -a command when TCP/IP interface is used
- Output of process list (ps -ef command)
- Output of communication path (logical device) statistical information (kstat -n device-name command)

Chapter 6 Command Reference

This chapter explains the commands of the Multipath function.

6.1 MPNET Activation and Deactivation Commands

6.1.1 mpnetinit command

Name

mpnetinit - The activation and deactivation command of all Multipath network

Synopsis

```
/opt/FJSMpnnet/bin/mpnetinit [start|stop]
```

Description

This command activates and deactivates all interfaces that have been configured.

When activating, all information that has been configured is set to the driver, and the interface becomes ready state. When deactivating, all activated interfaces are deactivated.

Notes

This command can only be issued by the super-user.

Contents

When activating, the following messages shown below, are output.

When deactivating, nothing is displayed at the normal termination.

```
# /opt/FJSMpnnet/bin/mpnetinit start
MPNET: mpnet0: now up
MPNET: mpnet0: MPNET daemon started
MPNET: mpnet1: now up
MPNET: mpnet1: MPNET daemon started
```



- When using a system as an NFS server, the MPNET interface cannot be deactivated using this command.

6.1.2 mpnetconfig command

Name

mpnetconfig - The activation and deactivation command of a specific Multipath network interface

Synopsis

```
/opt/FJSMpnnet/bin/mpnetconfig interface_name [start|stop]
```

Description

This command activates and deactivates the specified interface.

When activating, the configuration of the specified interface is set to the driver, and the interface becomes a ready. When deactivating, the specified interface is deactivated.

Notes

This command can only be issued by the super-user. This command can be used when a specific interface is started or is terminated.

Contents

When activating, the following messages shown below are output.

When deactivating, nothing is displayed at normal termination.

```
# /opt/FJSVmpnet/bin/mpnetconfig mpnet0 start
MPNET: mpnet0: now up
MPNET: mpnet0: MPNET daemon started
```



- When using a system as an NFS server, the MPNET interface cannot be deactivated using this command.

6.2 MAC Address Display Command

6.2.1 mpnet_getmac command

Name

mpnet_getmac - The MAC address display command

Synopsis

```
/opt/FJSVmpnet/bin/mpnet_getmac interface_name
```

Description

This command displays the MAC address defined in the environmental configuration.

This command can be used to output the MAC address that may be used for the configuration of the upper products.

Notes

This command can only be issued by the super-user.

Contents

The following messages (examples) are output.

```
# /opt/FJSVmpnet/bin/mpnet_getmac mpnet0
MPNET: mpnet0: 080012345678
```

6.3 Multipath Control Command

6.3.1 iompadm command

Name

iompadm - The Multipath control command

Synopsis

/usr/opt/FJSViomp/bin/iompadm -c mpnet [-p] subcommand [parameter]

Description

This command is used to display the status of the communication paths that compose the interface or to restore the communication path where a fault occurred.

This command shows the status and restoration of the communication path by combining specified subcommand and parameter. The following can be specified for the option of "[Table 6.1 Options List](#)".

Table 6.1 Options List

Options	Explanation
-c mpnet	Class name is specified. The "mpnet" must be specified.
-p	When this parameter is specified to display the status, the physical device name in addition to the logical device name is displayed in the displayed communication path. When this parameter is omitted, only the logical device name is displayed in the displayed communication path.
subcommand	The subcommand and the outline of functions are listed in " Table 6.2 Subcommand List ". See the section " 6.3.2 iompadm subcommands " for details.
parameter	The parameter is specified in combination with the subcommand. Details of parameters that can be used by combining are explained in section " 6.3.2 iompadm subcommands ".

Notes

This command can only be issued by the super-user.

Contents

Refer to the description of each subcommand explanation in section "[6.3.2 iompadm subcommands](#)".

6.3.2 iompadm subcommands

This section explains subcommands of the iompadm command.

The subcommand and the outline of functions are listed in "[Table 6.2 Subcommand List](#)".

Table 6.2 Subcommand List

Subcommand	Description
info	Configuration information in the specified interface or in all interfaces, and the status of the communication path are displayed.
status	The status of the specified communication path is displayed.
ident	The class list of the specified communication path is displayed.
probe	The interface to which the specified communication path belongs is displayed.
recover	The specified communication path is restored.
start	The specified communication path is changed to the path that can be communicable after the recover subcommand is issued.
stop	The communication path in the "active" state or the "standby" state is switched to the "stop" state.
active	The communication path in the "standby" state is switched to the "active" state.
add	Adds to the specified interface the specified communication path. The communication path after an addition will be in the "stop" state.
del	Delete the communication path in the "stop" state from the specified interface.
disconnect	The communication path in the "stop" state or the "fail" state is switched to the "disconnected" state.
connect	The communication path of the specified "disconnected" state is switched to "stop" state.

Subcommand	Description
version	Version information of this product is displayed.
help	Help information of specified command is displayed.

6.3.2.1 info subcommand

Capabilities

Configuration information for the specified interface or for all interfaces, and the status of the communication path are displayed.

Synopsis

```
/usr/opt/FJSViomp/bin/iompadm -c mpnet [-p] info [interface_name]
```

Example

The following messages (examples) are output.

- Example of no "-p" option

```
# /usr/opt/FJSViomp/bin/iompadm -c mpnet info
IOMP: mpnet0
Element:
    fjgi0    online  active  unblock ""
    fjgi1    online  standby unblock ""
Node:
    mpnet0
Function:
    MPmode=false
    AutoPath=true
    Block=false
    NeedSync=false

IOMP: mpnet1
Element:
    fjgi2    online  active  unblock "No bind"
    fjgi3    online  standby unblock ""
Node:
    mpnet1
Function:
    MPmode=false
    AutoPath=true
    Block=false
    NeedSync=false
```

- Example of "-p" option

```
# /usr/opt/FJSViomp/bin/iompadm -p -c mpnet info
IOMP: mpnet0
Element:
    fjgi0    online  active  unblock ""
-> /pci@1,700000/pci@0/FJSV,e2ta@4
    fjgi1    online  standby unblock ""
-> /pci@1,700000/pci@0/FJSV,e2ta@4,1
Node:
    mpnet0
Function:
    MPmode=false
    AutoPath=true
```

```

Block=false
NeedSync=false

IOMP: mpnet1
Element:
  fjgi2  online  active  unblock "No bind"
-> /pci@1,700000/pci@0,1/FJSV,e4tb@6
  fjgi3  online  standby unblock " "
-> /pci@1,700000/pci@0,1/FJSV,e4tb@6,1
Node:
  mpnet1
Function:
  MPmode=false
  AutoPath=true
  Block=false
  NeedSync=false

```

Contents

Information output from the above examples is explained in "[Table 6.3 Communication path status](#)".

Table 6.3 Communication path status

Information	Description
online / offline	Brief status of the communication path is displayed. - online : enabled to communicate - offline : disabled to communicate
active / standby / stop / fail / disconnected	Detailed status of the communication path is displayed. - active : enabled for communication or under operation - standby : ready for communication but in an idle state - stop : stopped state - fail : disabled for communication caused by a failure - busy : The communication path is being processed. - disconnected : The communication path has been disconnected by the DR function.
block / unblock	The authorized status of direct access to the communication path from the outside is displayed. - block : prohibited - unblock : permitted
Message	Supplemental information of the current system status or the error cause is displayed. If no supplemental information is displayed, quotation marks (") are displayed. Refer to " Table 6.4 Message List " for details of the message displayed.
-> XXXX XXXX	When "-p" option is specified, the physical device name is displayed.

Refer to "[Table 6.4 Message List](#)" for details of the message displayed.

For the terms "capabilities of restoration" described in the table, see the section "[6.3.2.5 recover subcommand](#)" in "[6.3 Multipath Control Command](#)".

Table 6.4 Message List

Status	Message	Description	Restorable
active	None	Communication is being established by the upper BIND.	-
	No bind	Communication is ready because the upper BIND is not issued.	-
standby	None	Enabled to communicate but in an idle status.	-
stop	None	Stopped state	-
fail	Line error	An abnormality occurred in the transmission path.	A

Status	Message	Description	Restorable
	Attach error	The communication path (device) does not exist.	C
	Configuration error	The error occurred while activating the communication path (device).	C
	Bus error	The hardware error occurred in the communication path.	C
	Device not respond	No response to the issued command was returned from the communication path.	B
disconnected	None	The command does not get a response from the communication path.	-
busy	Line up process	The communication path is being activated.	-
	Line down process	The communication path is being deactivated.	-

Legend: A : Possible B : Might be possible C : Impossible - : Not affect

6.3.2.2 status subcommand

Capabilities

This command displays the status of all the communication paths of the specified interface or the status of the specified path.

Synopsis

```
/usr/opt/FJSViomp/bin/iompadm -c mpnet [-p] status interface_name [communication_path_name]
```

Example

The following messages (examples) are output.

- Example of no communication path name

```
# /usr/opt/FJSViomp/bin/iompadm -c mpnet status mpnet0
fjgi0    online  active  unblock ""
fjgi1    online  standby unblock ""
```

- Example of specification of communication path name

```
# /usr/opt/FJSViomp/bin/iompadm -c mpnet status mpnet0 fjgi0
fjgi0    online  active  unblock ""
```

Contents

Information output from above examples is the same as the status of the communication path of Section "[6.3.2.1 info subcommand](#)".

Refer to Table "[Table 6.3 Communication path status](#)" for details of the communication path status.

6.3.2.3 ident subcommand

Capabilities

The class list of the communication path used is displayed.
In this product, "mpnet" is displayed.

Synopsis

```
/usr/opt/FJSViomp/bin/iompadm ident communication_path_name
```

Example

The following messages (examples) are output.

```
# /usr/opt/FJSViomp/bin/iompadm ident fjgi0
mpnet
```

6.3.2.4 probe subcommand

Capabilities

The interface to which specified communication path belongs is displayed.

Synopsis

```
/usr/opt/FJSViomp/bin/iompadm probe communication_path_name
```

Example

The following messages (examples) are output.

```
# /usr/opt/FJSViomp/bin/iompadm probe fjgi0
mpnet    mpnet0
```

6.3.2.5 recover subcommand

Capabilities

Restoration is executed for the failed communication path.

Synopsis

```
/usr/opt/FJSViomp/bin/iompadm -c mpnet recover interface_name [communication_path_name]
```

Description

This command is used to restore the communication path that failed in the transmission path.

This subcommand can be executed only when the message "Line error" is displayed using the info subcommand or the status subcommand.

The state of the communication path changes to "stop" state after this subcommand is processed successfully.

This command can be executed for the specified communication path if a communication path name is specified.

Notes

This subcommand may not restore successfully if NIC failure or LAN driver error occur in "fail" state.

6.3.2.6 start subcommand

Capabilities

The communication path in "stop" status is changed to ready status.

Synopsis

```
/usr/opt/FJSViomp/bin/iompadm -c mpnet start interface_name [communication_path_name]
```

Description

This command changes the state of the communication path in "stop" status to "active" status.

The state of the communication path changes into "standby" or "active" status when this subcommand is processed successfully. This command can be executed for the specified communication path if a communication path name is specified.

6.3.2.7 stop subcommand

Capabilities

The communication path in the "active" state or the "standby" state of the specified interface is switched to the "stop" state.

Synopsis

```
/usr/opt/FJSViomp/bin/iompadm -c mpnet stop interface_name [communication_path_name]
```

Description

This subcommand is used when changing the communication path in "active" state or "standby" state into "stop" state.

When this subcommand is processed successfully, the communication path is put into "stop" state.

When the communication path name is specified, this subcommand is processed for the specified communication path.

When this subcommand is processed for a communication path, the communication path in "active" state is put into "stop" state, and the communication path in "standby" state is put into "active" state.



Note

When stopping the communication path of "active" state and the communication path of "standby" state does not exist, or when omitting the communication path name, the communication stops because all communication paths have stopped.

6.3.2.8 active subcommand

Capabilities

The communication path is switched, and it changes from the "standby" state to the "active" state.

Synopsis

```
/usr/opt/FJSViomp/bin/iompadm -c mpnet active interface_name communication_path_name
```

Description

When a "standby" state communication path is specified, the path switch is done from an "active" state communication path, the communication path that was the "active" state is changed to the "standby" state.

This subcommand is available for the communication path in "standby" state, and can be used also for the switching back of the communication path.

When this subcommand is processed successfully, the specified communication path is put into "active" status, and the "active" communication path is put into "standby" status.

6.3.2.9 add subcommand

Capabilities

This subcommand adds the communication path to the specified interface.

Synopsis

```
/usr/opt/FJSViomp/bin/iompadm -c mpnet add interface_name communication_path_name
```

Description

This subcommand is used when adding the communication path to the specified interface.

When it is executed successfully, the specified communication path will be in "stop" state.

Note

- When adding the communication path, this subcommand updates the environmental configuration file (/etc/opt/FJSVmpnet/conf/config file).
If multiple instances of this subcommand are executed at the same time, the environmental configuration file (/etc/opt/FJSVmpnet/conf/config file) may be damaged.
Therefore, please do not execute except at console terminal (e.g. telnet(1) command).

6.3.2.10 del subcommand

Capabilities

This subcommand deletes the communication path from the specified interface.

Synopsis

```
/usr/opt/FJSViomp/bin/iompadm -c mpnet del interface_name communication_path_name
```

Description

This subcommand is used when deleting the communication path in the "stop" state, "fail" state, or "disconnected" state from the specified interface.

The communication path of "active" state, "standby" state cannot be deleted with this subcommand.
Please change to "stop" state by the stop subcommand before executing this subcommand.

When this subcommand is executed successfully, the specified communication path will be deleted from the specified interface.

Note

- When adding the communication path, this subcommand updates the environmental configuration file (/etc/opt/FJSVmpnet/conf/config file).
If multiple instances of this subcommand are executed at the same time, the environmental configuration file (/etc/opt/FJSVmpnet/conf/config file) may be damaged.
Therefore, please do not execute except at console terminal (e.g. telnet(1) command).

6.3.2.11 disconnect subcommand

Capabilities

The communication path in the "stop" state or the "fail" state is switched to the "disconnected" state.

Synopsis

```
/usr/opt/FJSViomp/bin/iompadm -c mpnet disconnect interface_name communication_path_name
```

Description

This subcommand will switch the specified communication path to the "disconnected" state, if the specified communication path is in the "stop" state or the "fail" state. If the communication path is in any other state, this subcommand will be ended in an error.

The communication path, which has become "disconnected" state by this subcommand, can replace a PCI card by the DR function. Please refer to "[Chapter 8 DR \(Dynamic Reconfiguration\) Function](#)" about the DR function.

6.3.2.12 connect subcommand

Capabilities

The communication path in the "disconnected" state is switched to the "stop" state.

Synopsis

```
/usr/opt/FJSViomp/bin/iompadm -c mpnet connect interface_name communication_path_name
```

Description

This subcommand will switch the specified communication path to the "stop" state, if the specified communication path is in the "disconnected" state. If the communication path is not "disconnected" state, the iompadm command will be ended without changing anything.

This subcommand is used when incorporating the device, which was replace a PCI card in "disconnected" state, by "[6.3.2.11 disconnect subcommand](#)". Please refer to "[Chapter 8 DR \(Dynamic Reconfiguration\) Function](#)" about the DR function.

6.3.2.13 version subcommand

Capabilities

The version information of this product is displayed.

Synopsis

```
/usr/opt/FJSViomp/bin/iompadm -c mpnet version
```

Example

The following messages (examples) are output.

```
# /usr/opt/FJSViomp/bin/iompadm -c mpnet version
iompadm Version: 1.0.0 (1999/12/04)
FJIOMP-API-Level: 2.1
mpnet: 2.2
mpnet-API-level: 1.0
```

6.3.2.14 help subcommand

Capabilities

This menu shows how to use a subcommand.

Synopsis

```
/usr/opt/FJSViomp/bin/iompadm -c mpnet help
```

Example

The following messages (examples) are output.

```
# /usr/opt/FJSViomp/bin/iompadm -c mpnet help
subcommand :
  help           Shows this help message.
  ident          Returns the class name for IOMP device.
  info           Returns information about an instance.
  probe          Returns class and instance name for IOMP device.
  recover        Recovers the path after an error.
  start          Restarts the use of a path.
  stop           Stops the use of a path.
  active         Activates the path.
```

```

add                Adds the path.
del                Deletes the path.
disconnect         Disconnects the path.
connect            Connects the path.
status             Returns the path status.
version            Shows versions.
usage :
iompadm [-p] [-c mpnet] help
iompadm [-p] [-c mpnet] ident device-name
iompadm [-p] [-c mpnet] info [interface-name]
iompadm [-p] [-c mpnet] probe device-name
iompadm [-p] [-c mpnet] recover interface-name [device-name]
iompadm [-p] [-c mpnet] start interface-name [device-name]
iompadm [-p] [-c mpnet] stop interface-name [device-name]
iompadm [-p] [-c mpnet] active interface-name device-name
iompadm [-p] [-c mpnet] add interface-name device-name
iompadm [-p] [-c mpnet] del interface-name device-name
iompadm [-p] [-c mpnet] disconnect interface-name device-name
iompadm [-p] [-c mpnet] connect interface-name device-name
iompadm [-p] [-c mpnet] status interface-name [device-name]
iompadm [-p] [-c mpnet] version

```

6.4 TCP/IP Interface Activation and Deactivation Commands

6.4.1 mpnet_ifinit command

Name

mpnet_ifinit - Activation and deactivation command for all IPv4 interfaces

Synopsis

```
/opt/FJSVmpnet/bin/mpnet_ifinit [start|stop]
```

Description

This command activates and deactivates all IPv4 interfaces that have been configured.

In activation, the state of all IPv4 interfaces that have been configured is changed to be available for communicating.

In deactivation, this command deactivates all activated IPv4 interfaces that are being used in the multipath network.

Notes

This command can only be issued by the super-user.

Contents

The following messages (examples) are output in activation status.

Nothing is displayed when terminating successfully.

```

# /opt/FJSVmpnet/bin/mpnet_ifinit start
Setting netmask of mpnet0 to 255.255.255.128
mpnet_ifinit: mpnet0: INET now up
Setting netmask of mpnet0 to 255.255.255.0
mpnet_ifinit: mpnet1: INET now up

```

6.4.2 mpnet_ifconfig command

Name

mpnet_ifconfig - The activation and deactivation command for a specified IPv4 interface

Synopsis

```
/opt/FJSVmpnet/bin/mpnet_ifconfig interface_name [start|stop]
```

Description

This command activates and deactivates the IPv4 interface specified by an interface name.

In activation, the state of the specified IPv4 interface is changed to be available for communicating.

In deactivation, this command deactivates the specified IPv4 interface that is used in the multipath network.

Notes

This command can only be issued by the super-user.

This command can be used to start or stop of the specific IPv4 interface.

Contents

The following messages (examples) are output.

In deactivation, nothing is displayed when terminating successfully.

```
# /opt/FJSVmpnet/bin/mpnet_ifconfig mpnet1 start
Setting netmask of mpnet0 to 255.255.255.0
mpnet_ifinit: mpnet1: INET now up
```

6.4.3 mpnet_ifinit6 command

Name

mpnet_ifinit6 - The activation and deactivation command for all IPv6 interfaces

Synopsis

```
/opt/FJSVmpnet/bin/mpnet_ifinit6 [start|stop]
```

Description

This command activates and deactivates all IPv6 interfaces that have been configured.

In activation, the state of all IPv6 interfaces that have been configured is changed to be available for communicating.

In deactivation, this command deactivates all activated IPv6 interfaces that are being used in the multipath network.

Notes

This command can only be issued by the super-user.

Contents

The following messages (examples) are output for activation status.

Nothing is displayed when terminating successfully.

```
# /opt/FJSVmpnet/bin/mpnet_ifinit6 start
mpnet_ifinit6: mpnet0: INET6 now up
mpnet_ifinit6: mpnet1: INET6 now up
mpnet_ifinit6: mpnet0:1: INET6 now up
mpnet_ifinit6: mpnet1:1: INET6 now up
```

6.4.4 mpnet_ifconfig6 command

Name

mpnet_ifconfig6 - The activation and deactivation command of a specified IPv6 interface

Synopsis

```
/opt/FJSVmpnet/bin/mpnet_ifconfig6 interface_name [start|stop]
```

Description

This command activates and deactivates the IPv6 interface specified by an interface name.

In activation, the state of the specified IPv6 interface is changed to be available for communicating.

In deactivation, this command deactivates the specified IPv6 interface that is used in multipath network.

Notes

This command can only be issued by the super-user.

This command can be used to start or stop of the specific IPv6 interface.

Contents

The following messages (examples) are output standard.

In deactivation, nothing is displayed when terminating successfully.

```
# /opt/FJSVmpnet/bin/mpnet_ifconfig6 mpnet1 start
mpnet_ifinit6: mpnet0:1: INET6 now up
mpnet_ifinit6: mpnet1:1: INET6 now up
```

6.5 Cluster Administration Commands

6.5.1 mpnet_addridd command

Name

mpnet_addridd - The resource registration command

Synopsis

```
/opt/FJSVmpnet/cluster/bin/mpnet_addridd -a | -d interface
```

Description

This command registers the resource of the interface for the cluster that is configured as the target node.

This command registers the resource of target node only. Therefore, when registering the resource of other nodes, it is necessary to execute this command on that node.

The following options of "[Table 6.5 Options List](#)" can be specified.

Table 6.5 Options List

Options	Explanation
-a	The resource of all the interfaces for the cluster which are configured is registered.
-d <i>interface</i>	The resource of the interface for the cluster specified by " <i>interface</i> " is registered. It is used when registering the resource of the specific interfaces at the time of adding the interface for the cluster etc.

Notes

This command can only be issued by the super-user.

When the command processed successfully, resource information is automatically stored in "cluster" parameter in "[3.3 /etc/opt/FJSMpnet/conf/parameters File](#)".

6.5.2 mpnet_delrid command

Name

mpnet_delrid - The resource remove command

Synopsis

```
/opt/FJSMpnet/cluster/bin/mpnet_delrid -a | -d interface
```

Description

This command deletes the resource of the interface for the cluster which is configured as the target node.

This command deletes the resource of target node only. Therefore, when deleting the resource of other nodes, it is necessary to execute this command on that node.

The following options of "[Table 6.6 Options List](#)" can be specified.

Table 6.6 Options List

Options	Explanation
-a	The resource of all the interfaces for the cluster which are configured is deleted.
-d <i>interface</i>	The resource of the interface for the cluster specified by " <i>interface</i> " is deleted. This command can be used when the resource of a specific interface is deleted.

Notes

This command can only be issued by the super-user.

When the command processed successfully, resource information is automatically deleted from the "cluster" parameter in "[3.3 /etc/opt/FJSMpnet/conf/parameters File](#)".

6.5.3 mpnet_rid command

Name

mpnet_rid - The batch registration/deletion command of resources

Synopsis

```
/opt/FJSMpnet/cluster/bin/mpnet_rid -a [-A|-n node] | -d [-A|-n node]
```

Description

This command can register or delete a resource to the node specified by the parameter.

This command is recommended on the target nodes of which the hardware configuration and LAN device configuration are the same. The batch registration of resources performs resource registration of all interfaces based on the environmental configuration in the `/etc/opt/FJSMpnet/conf/parameters` file of the node that executes this command, and it copies to the node specified with the parameter.

Moreover, when registering resources collectively, it is necessary to use an environmental configuration copy command (`mpnet_copyfile` command) beforehand, and to copy the environmental configuration.

The batch deletion of resources performs resource deletion of all the interfaces of the node that specified with the parameter. The `/etc/opt/FJSMpnet/conf/parameters` file before resource registration of the node which executed this command is copied.

When all nodes are specified to be parameters, it is registered or deleted to all the constituted nodes including the node that carries out command execution.

The following options of "[Table 6.7 Options List](#)" can be specified.

Table 6.7 Options List

Options	Explanation
-a	Adds the resource of the node on which this command executed.
-a -A	Adds the resource of all nodes.
-a -n <i>node</i>	Adds the resource of the node specified in the " <i>node</i> ". Be sure to specify the node name in the " <i>node</i> ".
-d	Deletes only the resource of the node that executes this command.
-d -A	Deletes the resource of all nodes.
-d -n <i>node</i>	Deletes the resource of the node specified in the " <i>node</i> ". Be sure to specify the node name in the " <i>node</i> ".

Notes

This command can only be issued by the super-user.

This command adds an interface to the environmental configuration file. When registering a resource, use the `mpnet_addrid` command instead of this command.

If an userApplication has already been registered, the resource ID stored in the file may be deleted. If the command is executed, check the resource ID of the interface by using the `clgettree` command, and set it again.

6.5.4 mpnet_copyfile command

Name

`mpnet_copyfile` - Command to copy the environmental configuration file between nodes

Synopsis

`/opt/FJSVmpnet/cluster/bin/mpnet_copyfile [-a | -n node]`

Description

This command can copy all environmental configuration files for the node specified in the parameter.

This command is best processed on the target nodes of which the hardware configuration and LAN device configuration are the same.

The following options of "[Table 6.8 Options List](#)" can be specified.

Table 6.8 Options List

Options	Explanation
-a	Copies the environmental configuration files in the nodes to the all nodes.
-n <i>node</i>	Environmental configuration file is copied between nodes for the node specified in " <i>node</i> ". Be sure to specify the cluster node name in " <i>node</i> ".

Notes

This command can only be issued by the super-user.

6.6 Display Command of the Amount of the Transmission Data

6.6.1 mpnetstat command

Name

mpnetstat - display network statistics

Synopsis

```
/opt/FJSVmpnet/bin/mpnetstat interface_name [-i time] [-n | -a]
```

Description

This command displays the amount of the transmission data of each device of the interface specified by the *interface_name*, and the specified interface status.

The following options of "[Table 6.9 Options List](#)" can be specified.

Table 6.9 Options List

Options	Explanation
-i <i>time</i>	The amount of transmission data is displayed for every second interval specified by " <i>time</i> ". When 0 is specified to be " <i>time</i> ", it displays once.
-n	The number of error packets is not displayed.
-a	The amount of transmission data of each device of the specified interface and an interface is displayed. But the time and the state are not displayed.

Example

- Example of no option

```
# /opt/FJSVmpnet/bin/mpnetstat mpnet0

Jul 25 09:12:27 2001 Instance: mpnet0 Mode: RR Status: online

Name Status      Ipkts      Ierrs Opkts      Oerrs Collis %Ipkt %Opkt
fjgi0 active      3743847    0      2105262    0      0      49.4 49.3
fjgi1 active      3829556    0      2163297    0      0      50.6 50.7
```

- Example of "-n" option

```
# /opt/FJSVmpnet/bin/mpnetstat mpnet0 -n

Jul 25 09:12:27 2001 Instance: mpnet0 Mode: IOMP Status: online

Name Status      Ipkts      Opkts      Collis %Ipkt %Opkt
fjgi0 standby     6760766    3725882    0      79.5 79.5
fjgi1 active     1746139    962170     0      20.5 20.5
```

- Example of "-a" option

```
# /opt/FJSVmpnet/bin/mpnetstat mpnet0 -a
```

Name	Ipkts	Ierrs	Opkts	Oerrs	Collis	%Ipkt	%Opkt
mpnet0	7556064	0	4257790	0	0	100.0	100.0
fjgi0	3743847	0	2105262	0	0	49.4	49.3
fjgi1	3829556	0	2163297	0	0	50.6	50.7

Contents

Information output from the above examples is explained in "[Table 6.10 Output information of the mpnetstat command](#)".

Table 6.10 Output information of the mpnetstat command

Information	Description
Instance: mpnetX	The specified interface is displayed.
Mode: IOMP / MH / RR / DA / DSA	The distribution method of the specified interface is displayed. - IOMP : Multipath method - MH : Remote MAC Address distribution method - RR : Round Robin distribution method - DA : Destination IP Address distribution method - DSA : Destination/Source IP Address distribution method
Status: Online / Offline / Unconfigured	The state of the specified interface is displayed. - online : enable to communicate - offline : disable to communicate - unconfigured : All communication paths have been disconnected by the DR function.
Name	The device name of the interface is displayed.
Status	The state of the device is displayed. - active : enable to communicate or under operation - standby : ready for communication but in an idle state - stop : stopped state - fail : disabled for communication caused by a failure - busy : The communication path is being processed. - disconnected : The communication path has been disconnected by the DR function.
Ipkts	The number of the input packets for each device is displayed.
Ierrs	The number of the input error packets for each device is displayed.
Opkts	The number of the output packets for each device is displayed.
Oerrs	The number of the output error packets for each device is displayed.
Collis	The number of collisions is displayed.
%Ipkts	The rate of the number of input packets of the device to the total number of input packets is displayed.
%Opkts	The rate of the number of output packets of the device to the total number of output packets is displayed.

Notes

This command can only be issued by the super-user.

In the Multipath method, the amount of the packet data of a "standby" device may not be 0, because of transmissions, such as broadcasting data.

6.7 Display Command of the State of Transmission Path

6.7.1 mpnetlinkwatch command

Name

mpnetlinkwatch - display the state of transmission path

Synopsis

`/opt/FJSVmpnet/bin/mpnetlinkwatch interface_name [communication_path_name]`

Description

This command displays the connection state (Link Up/Down) of the transmission path of the communication path of the specified interface or the specified communication path.

Please execute this command and be sure to check whether there is any cable omission, when the device is exchanged by the DR function.

Example

The following example is output.

```
# /opt/FJSVmpnet/bin/mpnetlinkwatch mpnet0

Link watch Instance: mpnet0

Name      Status      Link Status
fjgi0     standby     up
fjgi1     active      up
```

Contents

Information output from the above examples is explained in "[Table 6.11 Output information of the mpnetlinkwatch command](#)".

Table 6.11 Output information of the mpnetlinkwatch command

Information	Description
Link watch instance: mpnetX	The specified interface is displayed.
Name	The device name of the interface is displayed.
Status	The state of the device is displayed. - active : enabled to communicate or under operation - standby : ready for communication but in an idle state - stop : stopped state - fail : disabled for communication caused by a failure - busy : The communication path is being processed. - disconnected : The communication path has been disconnected by the DR function.
Link Status	The cable connection state of the device is displayed. - up : Link up state - down : Link down state

Notes

This command can only be issued by the super-user.

Chapter 7 Administration on a Cluster System

This chapter explains the ways to configure the environmental configuration and to use the Multipath function on the PRIMECLUSTER system.

The Multipath function does not support cluster failover when using PRIMECLUSTER 4.0.

7.1 The Correspondence Outline in a Cluster System

The Multipath function supports the following connection types in the cluster system.

- Standby mode (1:1 / N:1)
- Mutual standby mode

The resource of the Multipath function is set as each interface.

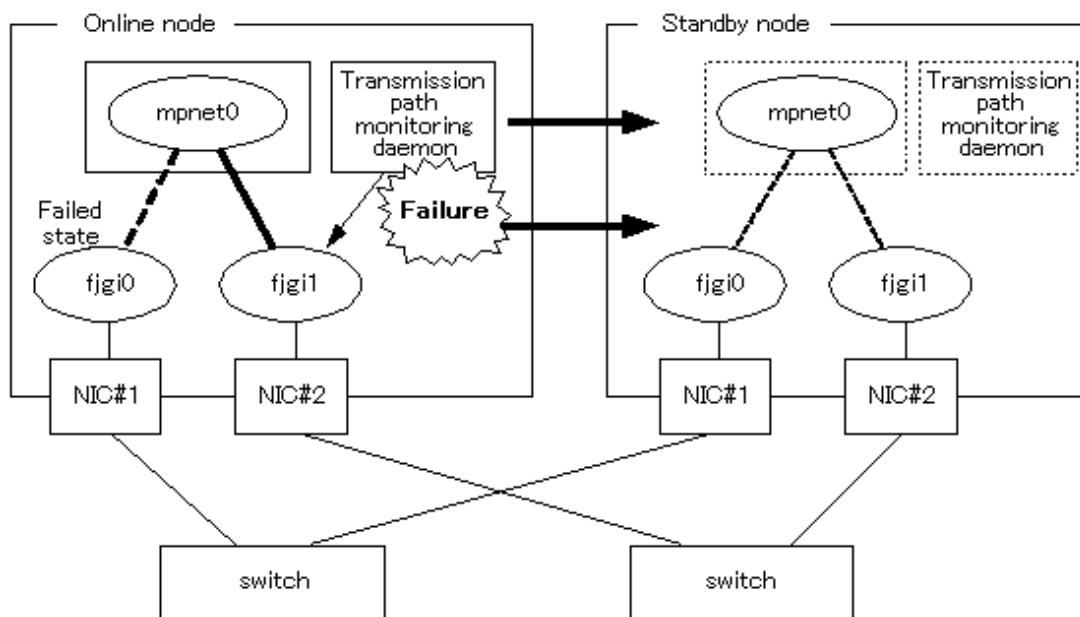
A cluster node is changed, not only when an online node panics, but when the abnormalities in transmission paths are detected by the communication path of the MPNET interface and it becomes impossible to use all communication paths.

Moreover, mode of operation, a MAC address, etc. can be taken over by configuring the environmental configuration of an online node and a standby node identically.

"[Figure 7.1 Example of Switching Node in All Communication Paths Failure](#)" shows how to switch the node when all the communication paths in the interface used by the online node are out of application.

For detail of the "userApplication" on PRIMECLUSTER, please refer to the glossary of the PRIMECLUSTER manuals.

Figure 7.1 Example of Switching Node in All Communication Paths Failure



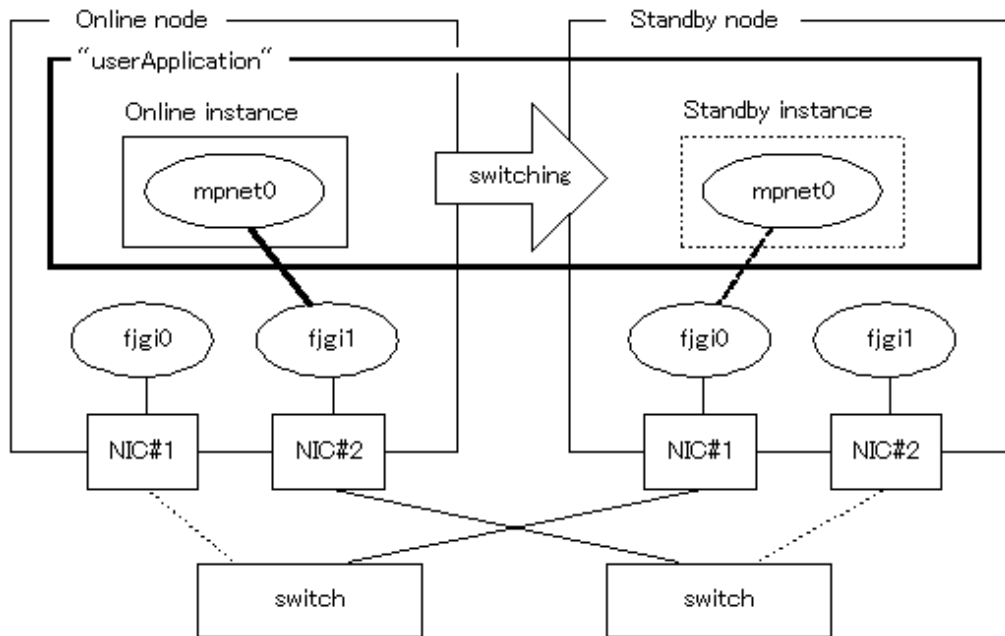
7.1.1 Standby mode

In normal operation, a local system communicates with the remote system using the Multipath function of the online node.

When abnormalities (panics, hangs, and transmission path failure) occur in the online node, the Multipath function switches the resource onto the standby node to take over the communication of the online node by reconnecting the path.

The Standby mode configuration is shown in "[Figure 7.2 Standby mode Configuration](#)".

Figure 7.2 Standby mode Configuration



7.1.2 Mutual standby mode

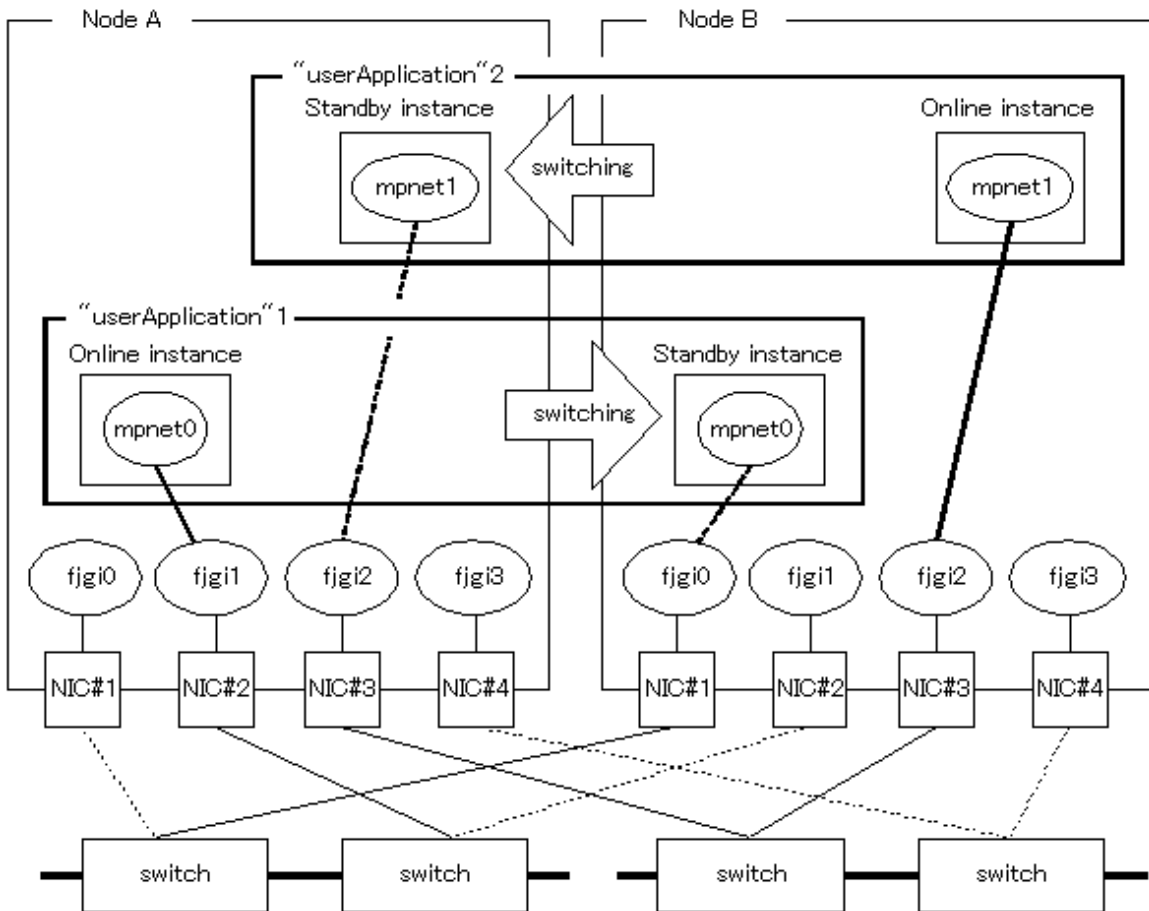
Mutual standby mode can be created by defining two or more interfaces with the Multipath function and by configuring each resource as another application.

In normal operation, a local system communicates with the remote system using communication path on the online instance of each "userApplication".

When abnormalities (panics, hangs, and transmission path failure) occur in the online node, the Multipath function switches the resource onto the standby node to take over the communication of the online node by reconnecting the path.

The Mutual standby configuration is shown in "Figure 7.3 Mutual standby mode Configuration".

Figure 7.3 Mutual standby mode Configuration



7.1.3 Notes

- The Multipath function can only be used for the enterprise LAN system. The Multipath function cannot be used for the operating control LAN system that is used in a private LAN (a private path) between nodes or under the operating management view.
- When the environmental configuration of the Multipath function is set, it is necessary to set the same interface name in each node. That is, when "mpnet0" is set as the interface name, the interface name set as a standby node also needs to set up "mpnet0". Registration of a resource can be performed when an interface name that is different by each node is set up. However, the registered resource may not be displayed in case "userApplication" is registered after it using the operating management view.
- When "-" (global MAC address) is specified in the "MAC-address" parameter in the "3.3 /etc/opt/FJSVmpnet/conf/parameters File", the global MAC address of each node is used. This means that the MAC address used by the online node is not succeeded to the standby node. MAC address value must be set if you use the MAC address of the online node for the MAC address of the standby node.
- The TCP/IP interface is automatically activated at the cluster change by the environmental configuration in /etc/opt/FJSVmpnet/conf/hosts file of each node. Refer to "Chapter 3 Configuration" for detailed information about configuration.
- In Multipath function, if all communication paths of the using interface become "fail" state by the abnormalities, a cluster will be changed.

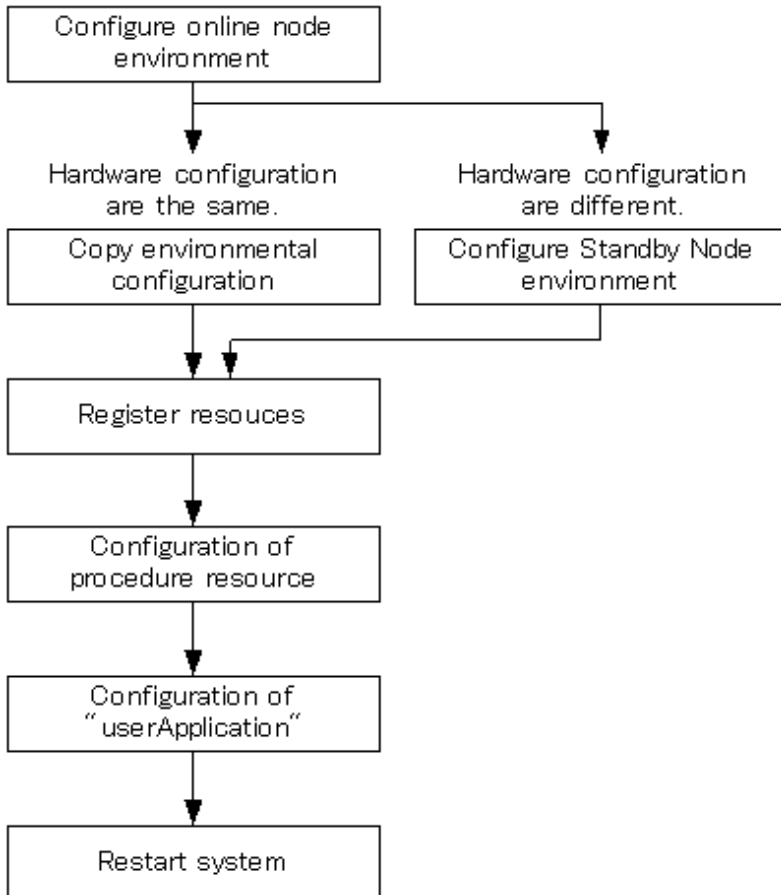
7.2 The Environmental Configuration on PRIMECLUSTER

7.2.1 Adding the Cluster environmental configuration

In the Multipath function, resource registration is required as well as the usual environmental configuration.

"Figure 7.4 Flow of an Additional Procedure of Cluster Environmental Configuration" shows how to perform the additional procedure of the configuration by using the "userApplication Configuration wizard". The registration of a resource is the same procedure even when using "RMS wizards". Please refer to "PRIMECLUSTER Installation and Administration Guide", or "PRIMECLUSTER Relient Monitor Services (RMS) Configuration and Administration Guide" about the details of the configuration method of the "userApplication" using "RMS Wizards".

Figure 7.4 Flow of an Additional Procedure of Cluster Environmental Configuration



The command shown in "Table 7.1 Cluster Configuration Operation Command" can be used to perform the cluster environmental configuration.

This command can only be execute in the clustering system environment.

Table 7.1 Cluster Configuration Operation Command

Type	Command	Description	Permission
resource registration / deletion	/opt/FJSMpnet/cluster/bin/mpnet_addrid	Resources are registered	Super-user
	/opt/FJSMpnet/cluster/bin/mpnet_delrid	Resources are deleted.	Super-user
	/opt/FJSMpnet/cluster/bin/mpnet_rid	The resources of all nodes or specified nodes are registered or deleted.	Super-user
copy of environmental configuration	/opt/FJSMpnet/cluster/bin/mpnet_copyfile	Environmental configuration is copied into all nodes or the specified node.	Super-user

7.2.1.1 Environmental configuration

For the Multipath function to work properly, common environmental configuration must be performed.

Refer to "Chapter 3 Configuration" for detailed information about configuration.

Be sure to perform the environmental configuration in each node.

There are two configuration methods: Set the environmental configuration in each node, or using "copy" command (mpnet_copyfile command) to perform the environmental configuration.

When the environmental configuration is performed for each node without the "copy" command (mpnet_copyfile command), the configuration in the interface should have same information between nodes.

The "copy" command (mpnet_copyfile command) is recommended on the target node of which the hardware configuration and LAN device configuration are the same.

For details about the "copy" command (mpnet_copyfile command), see "[Chapter 6 Command Reference](#)".

7.2.1.2 Resource registration

The resource is registered for each interface after the environmental configuration is completed.

A resource is registered only for the MPNET interface by which the " " (blank) is specified to be the "cluster" parameter of the "[3.3 /etc/opt/FJSVmpnet/conf/parameters File](#)". A resource is not registered about the other MPNET interface by which the " none" is specified.

The resource should be registered in all nodes with the Multipath function deactivated.

The following commands of "[Table 7.2 Command List](#)" are used to register the resource.

Refer to "[Chapter 6 Command Reference](#)" for details.

"Example of Confirming the Resource Registration" and "Example of the Content of /etc/opt/FJSVmpnet/conf/parameters file" are shown as examples of "clgettree" output after the command execution.

Command

Table 7.2 Command List

Command	Action
/opt/FJSVmpnet/cluster/bin/mpnet_addrid	This command adds the resource in the node used. The resources in all interfaces or specified interfaces that are defined in the environmental configuration of the node can be registered.
/opt/FJSVmpnet/cluster/bin/mpnet_rid	This command is used to add the resources of all nodes or specified nodes. Use this command after executing the environmental configuration copy command. The resources are registered based on configuration information in the target node, and /etc/opt/FJSVmpnet/conf/parameters file in which the resource was registered in all nodes or the specified nodes is copied.

Example of Confirming the Resource Registration

```
# /etc/opt/FJSVcluster/bin/clgettree
  Cluster 1 cluster
    Domain 2 Domain0
      Shared 7 SHD_Domain0
        Psd 8 planpath0 ON
        Psd 9 planpath1 ON
        SHD_MPDisk 44 SHD_D2048 UNKNOWN
          MPDisk 42 mphd2048 ON fin121
          MPDisk 43 mphd2048 ON fin120
        SHD_MPDisk 47 SHD_D2049 UNKNOWN
          MPDisk 45 mphd2049 OFF-STOP fin120
          MPDisk 46 mphd2049 OFF-STOP fin121
      Node 3 fin120 ON
        SystemState2 14 FJSVclprt_pool UNKNOWN
        Ethernet 25 fjgi0 ON
        MPDisk 43 mphd2048 ON
        MPDisk 45 mphd2049 OFF-STOP
        SymfoWARE_RDB 52 st1 ON
        Application 57 rdbtest ON
        MPNET 66 MPNET_mpnet0 UNKNOWN (*1)
    Node 5 fin121 ON
```



```

SystemState2 15 FJSVclprt_spool UNKNOWN
Ethernet 26 fjgi0 ON
MPDisk 42 mphd2048 ON
MPDisk 46 mphd2049 OFF-STOP
SymfoWARE_RDB 53 st1 ON
Application 58 rdbtest ON
MPNET 67 MPNET_mpnet0 UNKNOWN (*1)
#

```

*1: Resource ID in interface (Resource ID in the example indicates "66" and "67")

Example of the Content of /etc/opt/FJSVmpnet/conf/parameters file

```

#ident "@(#)config Rel 2.2 02/06/07 FUJITSU"
#
# /etc/opt/FJSVmpnet/conf/parameters file
#
# Set the interface parameters on the this machine.
#
# format:
# interface-name MAC-address:func-mode:trunk-mode cluster
#
# example:
# mpnet0 -:0:0 none
# mpnet1 020000000000:0:0 none
#
mpnet0 020000000001:0:0 66

```

7.2.1.3 Configuration of procedure resource

The procedure resource is created using the "userApplication Configuration wizard". In the Multipath function, since the interface for the cluster will be switched using a procedure, please choose "Procedure" as the resource type. Here, "X" expresses the instance number of the Multipath function.

Please refer to the "PRIMECLUSTER Installation and Administration Guide" for the details of wizards.

7.2.1.4 Configuration of "userApplication"

The registered resource is added to "userApplication".

If the resource is added to "userApplication", taking over of the interface for the cluster will be attained.

Please refer to the "PRIMECLUSTER Installation and Administration Guide" for the details of wizards.

7.2.1.5 Notes

- Do not delete or change the resource information that is set in the "[3.3 /etc/opt/FJSVmpnet/conf/parameters File](#)" after the resource is registered.
- If you delete the resource manually, the provided command cannot delete the specified resource.

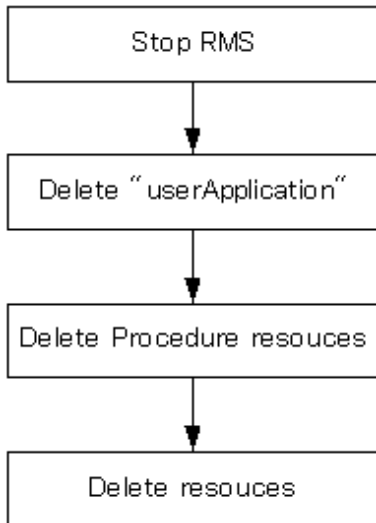
7.2.2 Deleting the Cluster environmental configuration

This section explains how to delete the cluster environmental configuration of the Multipath function, and explains the ways to delete the configuration.

Be sure to stop the RMS, using with the cluster operation management view, before the following procedures are performed.

"[Figure 7.5 Flow of Deleting the Cluster Environmental Configuration](#)" shows the work flow of deleting the cluster environmental configuration.

Figure 7.5 Flow of Deleting the Cluster Environmental Configuration



7.2.2.1 Deleting resource from "userApplication"

The "userApplication" of the Multipath function is deleted using "userApplication Configuration wizard". Please refer to the "PRIMECLUSTER Installation and Administration Guide" for the details of wizards.

7.2.2.2 Deleting procedure resource

The procedure resource of the Multipath function is deleted using "userApplication Configuration wizard". Please refer to the "PRIMECLUSTER Installation and Administration Guide" for the details of wizards.

7.2.2.3 Deleting resource

The registered resource is deleted.

The resource should be deleted with the Multipath function with deactivated.

The following commands of "Table 7.3 Command List" are used to delete the registered resource. Refer to "Chapter 6 Command Reference" for details.

Command

Table 7.3 Command List

Command	Action
/opt/FJSVmpnet/cluster/bin/mpnet_delrid	This command deletes the resource in the target node. The resources in all interfaces or specified interfaces that are defined in the environmental configuration of the node can be deleted.
/opt/FJSVmpnet/cluster/bin/mpnet_rid	This command deletes the resource in all nodes or the specified nodes. This command deletes the resource in the all nodes, and then copies the previous file (/etc/opt/FJSVmpnet/conf/parameters file) that existed in the nodes to the target nodes.

Example of Confirming the Resource Deletion

```

# /etc/opt/FJSVcluster/bin/clgettree
Cluster 1 cluster
  Domain 2 Domain0
    Shared 7 SHD_Domain0
      Psd 8 planpath0 ON
      Psd 9 planpath1 ON
  
```

```
SHD_MPDisk 44 SHD_D2048 UNKNOWN
MPDisk 42 mphd2048 ON fin121
MPDisk 43 mphd2048 ON fin120
SHD_MPDisk 47 SHD_D2049 UNKNOWN
MPDisk 45 mphd2049 OFF-STOP fin120
MPDisk 46 mphd2049 OFF-STOP fin121
Node 3 fin120 ON
SystemState2 14 FJSVclprt_spool UNKNOWN
Ethernet 25 fjgi0 ON
MPDisk 43 mphd2048 ON
MPDisk 45 mphd2049 OFF-STOP
SymfoWARE_RDB 52 st1 ON
Application 57 rdbtest ON
Node 5 fin121 ON
SystemState2 15 FJSVclprt_spool UNKNOWN
Ethernet 26 fjgi0 ON
MPDisk 42 mphd2048 ON
MPDisk 46 mphd2049 OFF-STOP
SymfoWARE_RDB 53 st1 ON
Application 58 rdbtest ON
```

#

7.2.2.4 Notes

- Do not delete or change the resource information that is set in the "[3.3 /etc/opt/FJSVmpnet/conf/parameters File](#)" after the resource is registered.
If you delete the resource manually, the provided command cannot delete the specified resource.

Chapter 8 DR (Dynamic Reconfiguration) Function

This chapter describes the environmental configuration methods and the behavior of DR function while using the Multipath function.

- DR function provided by the ESF (Enhanced Support Facility)
- DR function provided by the XSCF (eXtended System Control Facility) of SPARC Enterprise
- PCI Hot Plug function provided by the `cfgadm(1M)` command of the Solaris

Please refer to the following manuals when you use the DR function in ESF.

- Enhanced Support Facility User's Guide For Dynamic Reconfiguration
- Enhanced Support Facility User's Guide Dynamic Reconfiguration I/O device

Please refer to the following manuals when you use the DR function in XSCF.

- SPARC Enterprise M3000/M4000/M5000/M8000/M9000 Servers XSCF User's Guide
- SPARC Enterprise M3000/M4000/M5000/M8000/M9000 Servers Dynamic Reconfiguration (DR) User's Guide

8.1 DR Function of ESF

8.1.1 For DR function of ESF of Multipath function

The Multipath function provides the DR scripts to achieve the DR on the models that support the DR of ESF.

By executing the DR command (`drc` command), the DR script of the Multipath function is called, and the corresponding communication path (logical device) of the Multipath function is disconnected or connected.

As a result, the user can execute DR for a LAN configuration with the Multipath function without considering the DR script.

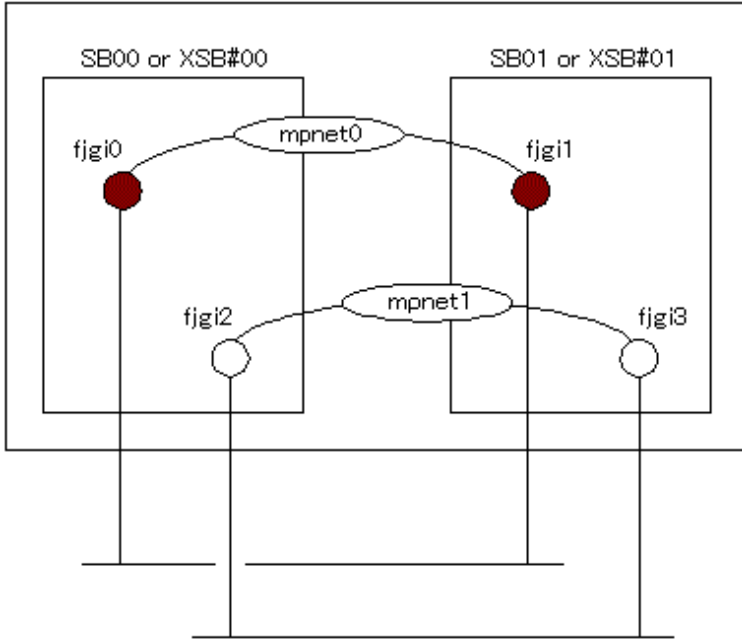
Refer to "[8.1.3 Operation when DR command is executed](#)" for the operation of the Multipath function.

After connecting by the DR function of ESF, please execute the `mpnetlinkwatch` command, in order to check that the cable has not fallen out. Refer to "[6.7 Display Command of the State of Transmission Path](#)" for information about the `mpnetlinkwatch` command.

8.1.2 Environmental construction of DR function of ESF

When you construct the LAN environment with the Multipath function on the models that support the DR of ESF, the composition of the "[Figure 8.1 The recommended composition of LAN of the DR function of ESF](#)" is recommended.

Figure 8.1 The recommended composition of LAN of the DR function of ESF



The DR function of ESF is executed to each unit of System Board (SB or XSB) on the models that support the DR of ESF. When disconnecting by the DR command, it is possible to make communication continue by having a redundant communication path between System Boards, like recommended configuration.

8.1.3 Operation when DR command is executed

8.1.3.1 Operation when disconnecting

- For the Multipath method

If the communication path to disconnect is in the "active" state when disconnecting (drc -disconnect command), after changing the communication path in the "standby" state to the "active" state, disconnecting processing of the applicable communication path will be performed in DR script of a Multipath function.

If the communication path to disconnect is not the "active" state, disconnecting processing is performed as it is.

If the communication path to disconnect is the "active" path, and the "standby" path does not exist, a warning message is displayed and an inquiry regarding processing continuation is done.

- For the Multilink Ethernet method

When disconnecting (drc -disconnect command), the DR script of the Multipath function disconnects the communication path. If the communication path is the "active" state, the transmission path is switched to another communicating ("active") path.

If the communication path is not the "active" state, it is disconnected as is.

If the communication path is the "active" state, and no other communicating ("active") path exists, a warning message is output asking the user whether to continue or stop communication.

8.1.3.2 Operation when connecting

- For a Multipath method

When connecting with the DR command (drc -connect command), the DR script of the Multipath function connects the corresponding path and changes it to the "standby" state.

- For a Multilink Ethernet method

When connecting with the DR command (drc -connect command), the DR script of the Multipath function connects the communication path. The communication path is then put into "active" state to restart communication.

8.1.3.3 Operation when canceling

During disconnect processing with the DR command, when the processing stops by inquiry or a situation which must stop the disconnect process according to certain factors occurs, cancellation processing of disconnecting is done.

Similarly, when connecting by a DR command, and a situation by which should case connect processing to be discontinued occurs, cancellation processing of the connection is done.

In the DR script of the Multipath function, reconnect processing is executed as the cancellation processing of disconnecting, and the path is returned to the state before the disconnecting.

- For a Multipath method

When the state before the disconnect is the "active" state or the "standby" state, it changes to the "standby" state. And, when the state before the disconnect is "fail" state or "stop" state, it changes to the "stop" state.

Occasionally, it does not return to the state before disconnecting, if there is hardware breakdown etc.

In the cancellation processing of a connection, processing of the re-disconnection is done, and the state is returned to "disconnected" state.

- For a Multilink Ethernet method

When the state before disconnecting is "active" state, it changes to the "active" state. And, when the state before disconnecting is "fail" state or "stop" state, it changes to the "stop" state.

Occasionally, it does not return to the state before disconnecting, if there is a hardware breakdown etc.

In the cancellation processing of a connection, processing of the re-disconnection is done, and the state is returned to "disconnected" state.

8.1.4 Display messages

The DR script of the Multipath function outputs messages when the communication path is disconnected and communication cannot be continued because the switching destination path is inactive or invalid. This also occurs if connection or disconnection fails because an abnormality is detected while the DR script is running.

In "Table 8.1 Display Message List", the message of the DR script of the Multipath function and presence of the inquiry for the user is described.

Table 8.1 Display Message List

Code	Message	Meaning	Inquiry
0001	When the DR processing is executed for this path, the communication is disconnected. interface=XX path=YY	If the DR processing is executed for communication path YY in interface XX, the communication will be disconnected.	none
0002	Is the DR processing continued ?	Do you want DR to be continued?	exist
0003	iompadm command abnormal end. action=ZZ interface=XX path=YY	When subcommand ZZ of the iompadm command for communication path YY in interface XX was executed, it was terminated abnormally.	none

8.1.5 Reply file

In the DR script of the Multipath function, when communication cannot be continued after disconnecting the communication path, or the disconnecting or connecting fails by abnormality detection during the DR script's operation, a message is output, the user is asked whether to continue the DR processing.

When the adrc command is executed, in the Multipath function the undermentioned reply file is prepared as a means to respond to these inquiries to respond automatically.

- /etc/opt/FJSVdr/reply/C/FJSVmpnet file

The format of the reply file is as follows.

Please refer to "Enhanced Support Facility User's Guide For Dynamic Reconfiguration" for details.

<MESSAGE ID>:<REPLY CODE>:<COMMENT>

The default value is set in the reply file of the Multipath function as follows.

```
0002:1:"query if DR process is removes"
```

Each parameter is explained.

message-ID

Message ID(0002) which responds automatic response is set.
Please do not change.

reply-code

To set the value which responds automatically.
Please set the value of "[Table 8.2 Value List that responds automatically](#)".

Table 8.2 Value List that responds automatically

Value	Automatic response
0	yes: Processing is continued.
1	no : Processing is not continued.(Default)

comment

Comment for MESSAGE ID.
Please do not change.

8.2 DR function of XSCF

8.2.1 For DR function of XSCF of Multipath function

The Multipath function achieves the DR function of XSCF by using the Multipath control command (iompadm command) and XSCF shell commands (deleteboard command or addboard command).

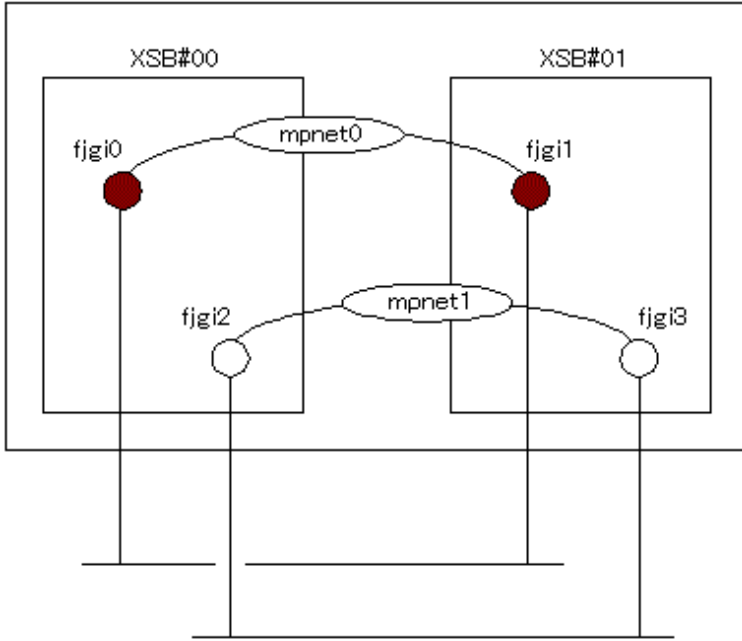
Please refer to "[8.2.3 The Procedure of the DR function of XSCF](#)" about procedure when disconnecting, connecting, adding and deleting in the Multipath function.

After connecting by the DR function of XSCF, please execute the mpnetlinkwatch command, in order to check that the cable has not fallen out. Refer to "[6.7 Display Command of the State of Transmission Path](#)" for information about the mpnetlinkwatch command.

8.2.2 Environmental construction of DR function of XSCF

When you construct the LAN environment with the Multipath function on the models that support the DR of XSCF, the composition of the "[Figure 8.2 The recommended composition of LAN of the DR function of XSCF](#)" is recommended.

Figure 8.2 The recommended composition of LAN of the DR function of XSCF



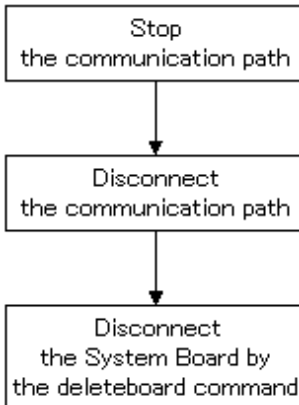
The DR function of XSCF is executed to each unit of System Board (XSB) on the models that support the DR of XSCF. When disconnecting a System Board by the XSCF shell command, it is possible to make communication continue by having a redundant communication path between System Boards, like recommended configuration.

8.2.3 The Procedure of the DR function of XSCF

8.2.3.1 Disconnection procedure

In order to replace a System Board by failure etc., the procedure in the case of disconnecting the target communication path from the Multipath Function temporarily is shown in "Figure 8.3 Disconnection Procedure".

Figure 8.3 Disconnection Procedure



1. Change to "stop" state

If the communication path that disconnects from the Multipath Function is "active" state or "standby" state, the communication path needs to change to "stop" state by using stop subcommand of iompadm command. Please refer to "6.3.2.7 stop subcommand" about stop subcommand.

If the target communication path is "stop" state or "fail" state, this procedure does not have necessity.

It is necessary to change the state of all communication paths of the NIC, which are connected to the System Board to be exchanged, into "stop" state.

```
# /usr/opt/FJSViomp/bin/iompadm -c mpnet stop mpnet0 fjgi0
# /usr/opt/FJSViomp/bin/iompadm -c mpnet stop mpnet1 fjgi2
#
```

Note

Communication cannot be continued, when exchanging the System Boards with which the NIC of the communication path of "active" state is connected, and when the communication path of "active" state or "standby" state does not exist in others.

2. Change to "disconnect" state

The communication path disconnected from the Multipath Function is changed to "disconnected" state by using disconnect subcommand of iompadm command. Please refer to ["6.3.2.11 disconnect subcommand"](#) about disconnect subcommand.

It is necessary to change the state of all communication paths of the NIC, which are connected to the System Board to be exchanged, into "disconnected" state.

```
# /usr/opt/FJSViomp/bin/iompadm -c mpnet disconnect mpnet0 fjgi0
# /usr/opt/FJSViomp/bin/iompadm -c mpnet disconnect mpnet1 fjgi2
#
```

The state of the communication path after the disconnect subcommand is shown below.

```
# /usr/opt/FJSViomp/bin/iompadm -c mpnet info
IOMP: mpnet0
Element:
    fjgi0    unconfigured    disconnected    unblock ""
    fjgi1    online    active    unblock ""
Node:
    mpnet0
Function:
    MPmode=false
    AutoPath=true
    Block=false
    NeedSync=false

IOMP: mpnet1
Element:
    fjgi2    unconfigured    disconnected    unblock ""
    fjgi3    online    active    unblock ""
Node:
    mpnet1
Function:
    MPmode=false
    AutoPath=true
    Block=false
    NeedSync=false

#
```

3. Disconnect the System Board

The System Board, which the NIC of communication paths in the "disconnected" state have connected to, is disconnected by using "deleteboard -c disconnect" command.

Please refer to "SPARC Enterprise M3000/M4000/M5000/M8000/M9000 Servers Dynamic Reconfiguration (DR) User's Guide" for details of deleteboard command.

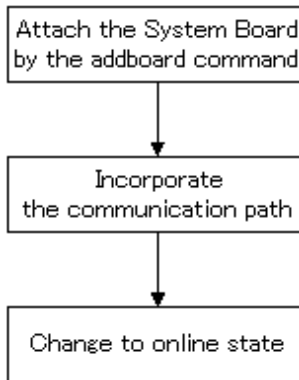
Note

When you exchange the System Boards which one NIC that has two or more ports connects to, all ports of the NIC should be made "disconnected" state or non-active state.

8.2.3.2 Connection procedure

The procedure for incorporating the communication path, which has been disconnected temporarily to replace the System Boards by failure etc., to the Multipath Function is shown in "Figure 8.4 Connection Procedure".

Figure 8.4 Connection Procedure



1. Attach the System Board

Attach the System Board, which is replaced, by using the "addboard -c configure" command.

Please refer to "SPARC Enterprise M3000/M4000/M5000/M8000/M9000 Servers Dynamic Reconfiguration (DR) User's Guide" for details of addboard command.

Note

Please attach the NIC connected in a System Board in the same slot as the slot before replacing. When you attach the NIC in a different slot, connection fails so that device name is different from a name before the exchange.

2. Incorporate to the Multipath Function

In order to incorporate the communication path, which is disconnected by using the DR function of XSCF, to the Multipath Function, the connect subcommand of the iompadm command is used, and the communication path will be in "stop" state. Please refer to "6.3.2.12 connect subcommand" about the connect subcommand.

It is necessary to change the state of all communication paths of the NIC, which are connected to the System Board to be exchanged, into "stop" state.

```
# /usr/opt/FJSViomp/bin/iompadm -c mpnet connect mpnet0 fjgi0
# /usr/opt/FJSViomp/bin/iompadm -c mpnet connect mpnet1 fjgi2
#
```

3. Change to online state

The target communication path, which changed to "stop" state, is changed to "active" state or "standby" state by using the start subcommand of the iompadm command. Please refer to "6.3.2.6 start subcommand" about the start subcommand.

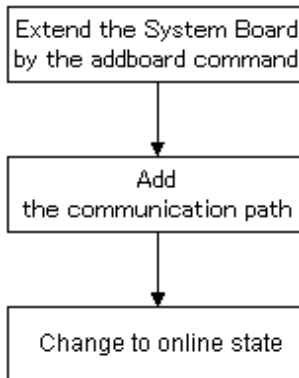
It is necessary to change the state of all communication paths of the adaptors, which are connected to the System Board to be exchanged, into "active" state or "standby" state.

```
# /usr/opt/FJSViomp/bin/iompadm -c mpnet start mpnet0 fjgi0
# /usr/opt/FJSViomp/bin/iompadm -c mpnet start mpnet1 fjgi2
#
```

8.2.3.3 Addition procedure

The procedure for incorporating a PCI card, which is connected to the newly extended System Board, to the Multipath Function is shown in "[Figure 8.5 Addition Procedure](#)".

Figure 8.5 Addition Procedure



1. Attach a System Board

The System Board to be extended is incorporated by using the "addboard -c configure" command.

2. Add a device to the Multipath Function

In order to incorporate the device, which is connected to the attached System Board, to the Multipath Function, the add subcommand of the iompadm command is used, and the communication path will be in "stop" state. Please refer to "[6.3.2.9 add subcommand](#)" about the add subcommand.

It is necessary to change the state of all communication paths of the NIC, which are connected to the attached System Board, into "stop" state.

```
# /usr/opt/FJSViomp/bin/iompadm -c mpnet add mpnet0 fjgi0
# /usr/opt/FJSViomp/bin/iompadm -c mpnet add mpnet1 fjgi2
#
```

3. Change to online state

The target communication path, which changed to "stop" state, is changed to "active" state or "standby" state by using the start subcommand of the iompadm command. Please refer to "[6.3.2.6 start subcommand](#)" about the start subcommand.

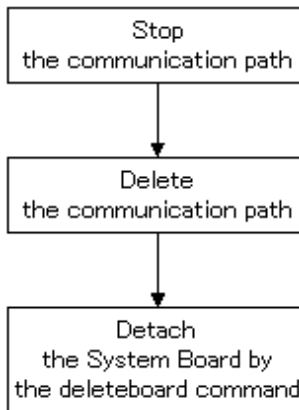
It is necessary to change the state of all communication paths of the NIC, which are connected to the attached System Board, into "active" state or "standby" state.

```
# /usr/opt/FJSViomp/bin/iompadm -c mpnet start mpnet0 fjgi0
# /usr/opt/FJSViomp/bin/iompadm -c mpnet start mpnet1 fjgi2
#
```

8.2.3.4 Deletion procedure

The procedure for detaching the communication path, which is not used in the Multipath Function by PCI card failure or other uses etc., is shown in "Figure 8.6 Deletion Procedure".

Figure 8.6 Deletion Procedure



1. Change to "stop" state

If the communication path that disconnects from the Multipath Function is "active" state or "standby" state, the communication path needs to change to "stop" state by using stop subcommand of iompadm command. Please refer to "6.3.2.7 stop subcommand" about stop subcommand.

If the target communication path is "stop" state or "fail" state, this procedure does not have necessity.

It is necessary to change the state of all communication paths of the NIC, which are connected to the DR executed System Board, into "stop" state.

```
# /usr/opt/FJSViomp/bin/iompadm -c mpnet stop mpnet0 fjgi0
# /usr/opt/FJSViomp/bin/iompadm -c mpnet stop mpnet1 fjgi2
#
```

Note

Communication cannot be continued, when deleting the System Board which the NIC of the communication path of "active" state is connected to, and when the communication path of "active" state or "standby" state does not exist in others.

2. Delete the device from the Multipath Function

The communication path is deleted from the Multipath Function by using the del subcommand of the iompadm command. Please refer to "6.3.2.10 del subcommand" about the del subcommand.

It is necessary to delete all devices connected to the DR executed System Board.

```
# /usr/opt/FJSViomp/bin/iompadm -c mpnet del mpnet0 fjgi0
# /usr/opt/FJSViomp/bin/iompadm -c mpnet del mpnet1 fjgi2
#
```

3. Detach a System Board

The System Board, which the NIC deleted from communication paths have connected to, is detached by using the deleteboard -c unassign command.



Note

When you detach the System Boards which one NIC that has two or more ports connects to, all ports of the NIC should be made "disconnected" state or non-active state.

8.3 PCI Hot Plug Function

8.3.1 PCI Hot Plug function for the Multipath function

The Multipath function, by using the Multipath control command (iompadm command) and cfgadm(1M) command of the Solaris, achieves the PCI Hot Plug function.

Please refer to "8.3.2 The Procedure of the PCI Hot Plug function", about procedure when disconnecting, connecting, adding and deleting.

The PCI Hot Plug function is executed to each unit of PCI card.

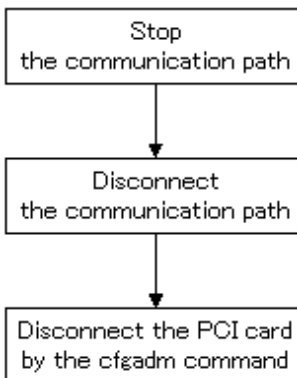
After replacement or adding a PCI card, please execute the mpnetlinkwatch command, in order to check that the cable has not fallen out. Refer to "6.7 Display Command of the State of Transmission Path" for information about the mpnetlinkwatch command.

8.3.2 The Procedure of the PCI Hot Plug function

8.3.2.1 Disconnection procedure

In order to replace a PCI card by failure etc., the procedure in the case of disconnecting the target communication path from the Multipath Function temporarily is shown in "Figure 8.7 Disconnection Procedure".

Figure 8.7 Disconnection Procedure



1. Change to "stop" state

If the communication path that disconnects from the Multipath Function is "active" state or "standby" state, the communication path needs to change to "stop" state by using stop subcommand of iompadm command. Please refer to "6.3.2.7 stop subcommand" about stop subcommand.

If the target communication path is "stop" state or "fail" state, this procedure does not have necessity.

```
# /usr/opt/FJSViomp/bin/iompadm -c mpnet stop mpnet0 fjgi2  
#
```

Note

- Communication cannot be continued, when executing the PCI Hot Plug to the communication path of "active" state, and when the communication path of "active" state or "standby" state does not exist in others.

2. Change to "disconnect" state

The communication path disconnected from the Multipath Function is changed to "disconnected" state by using disconnect subcommand of iompadm command. Please refer to "[6.3.2.11 disconnect subcommand](#)" about disconnect subcommand.

```
# /usr/opt/FJSViomp/bin/iompadm -c mpnet disconnect mpnet0 fjgi2
#
```

The state of the communication path after the disconnect subcommand is shown below.

```
# /usr/opt/FJSViomp/bin/iompadm -c mpnet info
IOMP: mpnet0
Element:
      fjgi1   online  active  unblock ""
      fjgi2   unconfigured  disconnected  unblock ""
Node:
  mpnet0
Function:
  MPmode=false
  AutoPath=true
  Block=false
  NeedSync=false
#
```

3. Disconnect the PCI card

The PCI card can disconnect by using the cfgadm(IM) command for the communication path of "disconnected" state. Please refer to Solaris manuals for details of cfgadm(IM) command.

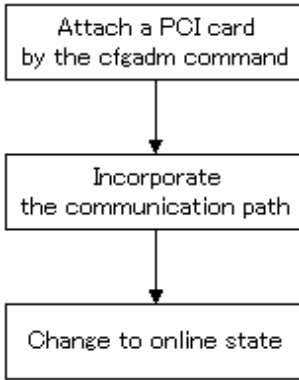
Note

When replacing the PCI card which has two or more ports on a PCI cards, it is necessary to change all the ports of a target PCI card to "disconnected" state or deactivated state.

8.3.2.2 Connection procedure

In order to replace a PCI card by failure etc., the procedure for incorporating the disconnected communication path to the Multipath Function is shown in "[Figure 8.8 Connection Procedure](#)".

Figure 8.8 Connection Procedure



1. Attach the PCI card

Attach the PCI card, which is replaced, by using the `cfgadm(1M)` command.

 Note

- Please attach a PCI card in the same PCI slot as the slot before replacing. Since the device name differs before when it inserts in a different PCI slot, it fails connection.

2. Incorporate to the Multipath Function

In order to incorporate the communication path, which is disconnected by using the PCI Hot Plug function, to the Multipath Function, the connect subcommand of the `iompadm` command is used. If it succeeds in incorporating, the communication path will be in "stop" state. Please refer to "[6.3.2.12 connect subcommand](#)" about the connect subcommand.

```
# /usr/opt/FJSViomp/bin/iompadm -c mpnet connect mpnet0 fjgi2
#
```

3. Change to online state

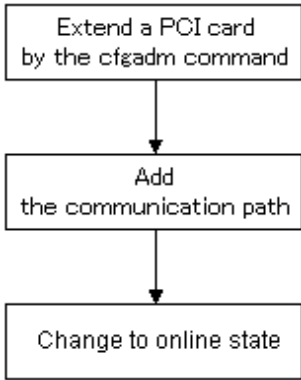
The target communication path, which changed to "stop" state, is changed to "active" state or "standby" state by using the start subcommand of the `iompadm` command. Please refer to "[6.3.2.6 start subcommand](#)" about the start subcommand.

```
# /usr/opt/FJSViomp/bin/iompadm -c mpnet start mpnet0 fjgi2
#
```

8.3.2.3 Addition procedure

The procedure for incorporating a PCI card extended newly to the Multipath Function is shown in "[Figure 8.9 Addition Procedure](#)".

Figure 8.9 Addition Procedure



1. Attach a PCI card

A PCI card to extend is incorporated by using the `cfgadm(1M)` command.

2. Add a device to the Multipath Function

In order to add the attached PCI card to the Multipath Function, it changes to "stop" state by using the `add` subcommand of the `iompadm` command. Please refer to "6.3.2.9 [add subcommand](#)" about the `add` subcommand.

```
# /usr/opt/FJSViomp/bin/iompadm -c mpnet add mpnet0 fjgi2
#
```

3. Change to online state

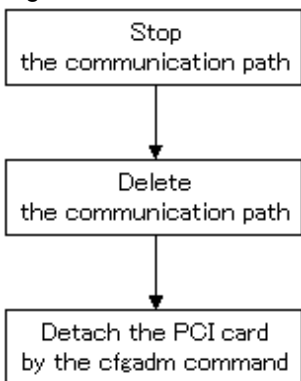
The target communication path, which changed to "stop" state, is changed to "active" state or "standby" state by using the `start` subcommand of the `iompadm` command. Please refer to "6.3.2.6 [start subcommand](#)" about the `start` subcommand.

```
# /usr/opt/FJSViomp/bin/iompadm -c mpnet start mpnet0 fjgi2
#
```

8.3.2.4 Deletion procedure

The procedure for detaching the communication path, which is not used in the Multipath Function by failure etc., is shown in "Figure 8.10 [Deletion Procedure](#)".

Figure 8.10 Deletion Procedure



1. Change to "stop" state

If the communication path that disconnects from the Multipath Function is "active" state or "standby" state, the communication path needs to change to "stop" state by using `stop` subcommand of `iompadm` command. Please refer to "6.3.2.7 [stop subcommand](#)" about `stop` subcommand.

If the target communication path is "stop" state or "fail" state, this procedure does not have necessity.

```
# /usr/opt/FJSViomp/bin/iompadm -c mpnet stop mpnet0 fjgi2
#
```

Note

Communication cannot be continued, when executing the PCI Hot Plug to the communication path of "active" state, and when the communication path of "active" state or "standby" state does not exist in others.

2. Delete the device from the Multipath Function

The communication path is deleted from the Multipath Function by using the del subcommand of the iompadm command. Please refer to "6.3.2.10 del subcommand" about the del subcommand.

```
# /usr/opt/FJSViomp/bin/iompadm -c mpnet del mpnet0 fjgi2
#
```

3. Detach a PCI card

The PCI card corresponding to the communication path deleted from the Multipath Function is detached by using the cfgadm(1M) command.

Note

When detaching the PCI card which has two or more ports on a PCI cards, it is necessary to change all the ports of a target PCI card to deactivated state.

Appendix A Messages

This chapter describes the list of console message that the MPNET driver and commands output.

A.1 MPNET Driver Messages

Description of messages which the MPNET driver outputs and the workaround are explained.

Table A.1 List of the Messages

Message	Meaning	Workaround
NOTICE: MPNET: Online: mpnetX: yyy	Communication path xxx of mpnetX is in the Online state.	Normal operation. No action required.
NOTICE: MPNET:Path Change succeed. mpnetX: yyy -> zzz	Communication path of mpnetX switched from yyy to zzz.	Normal operation. No action required.
WARNING: MPNET: Path Change failed. mpnetX: yyy -> zzz	Communication path switch of mpnetX from yyy to zzz failed.	Confirm the network status such as the NIC used by communication path zzz. Contact your technical support if problem persists.
WARNING: MPNET:0001: Can't allocate streams resources	Allocating the system memory failed.	Increase the system memory.
WARNING: MPNET:2001: _init mod_install failed 0xXX	Error occurred in driver initialization (_init).	Contact your technical support.
WARNING: MPNET:2003: _info mod_info failed 0xXX	Error occurred in driver initialization (_info).	Contact your technical support.
WARNING: MPNET:2006: attach ddi_create_minor_node failed 0xXX	Error occurred in the driver attaching process (creating the special file).	Contact your technical support.
WARNING: MPNET:2006: attach ddi_detach_cmd_t failed 0xXX	Error occurred in the driver attaching process (unsupported command).	Contact your technical support.
WARNING: MPNET:2007: detach ddi_attach_cmd_t failed 0xXX	Error occurred in the driver detaching process	Contact your technical support.
WARNING: MPNET:2008: Device not respond.mpnetX:YYY (0xZZ)	No response to command 0xZZ from communication path yyy of mpnetX.	Restoration may be attempted by the "iompadm recover" command. When it is not restored, contact your technical support.
WARNING: MPNET:2009: Data type intermingled	Abnormalities were detected in the data type of the device.	Contact your technical support.
NOTICE: MPNET:0101: Recovered. streams resource allocate is succeeded	Restored from the allocation failure of system memory.	Normal operation. No action required.

A.2 MPNET Monitoring Daemon Messages

Description of messages which the MPNET monitoring daemon outputs and the workaround are explained.

Table A.2 List of Error Messages

Message	Description	
WARNING: MPNET: mpnetd: mpnetd.conf not found	Meaning	The mpnetd.conf file is not found.
	Workaround	Confirm whether MPNET is installed correctly. If the problem persists, contact your technical support.
WARNING: MPNET: mpnetd: mpnetX yyy line error(link down)	Meaning	In device yyy, an abnormal transmission path (cable missing (Link Down), etc.) was detected.

Message	Description	
	Workaround	Confirm whether the communication path is connected correctly. Restore the MPNET by using the iompadm recover command after the cause is solved.
WARNING: MPNET: mpnetd: mpnetX yyy line error(ipackets error)	Meaning	In device yyy, a transmission path failure (frequent occurrence of abnormal input packets) was detected.
	Workaround	Check the network equipment (NIC, cables, and switches). Restore MPNET by using the iompadm recover command after the cause is solved.
WARNING: MPNET: mpnetd: mpnetX yyy line error(opackets error)	Meaning	In device yyy, a transmission path failure (frequent occurrence of an abnormal output packet) was detected.
	Workaround	Check the network equipment (NIC, cables, and switches). Restore MPNET by using the iompadm recover command after the cause is solved.

A.3 Activation Command Messages

A.3.1 mpnetinit command messages

Description of messages output at the mpnetinit command and the workaround are explained.

Table A.3 List of error messages

Message	Description	
mpnetinit: already up mpnetX	Meaning	The mpnetX has already been activated.
	Workaround	Normal operation. No action required.
MPNET: mpnetX: now up	Meaning	The mpnetX was activated.
	Workaround	Normal operation. No action required.
MPNET: mpnetX: daemon started	Meaning	The MPNET monitoring daemon of mpnetX was started.
	Workaround	Normal operation. No action required.
MPNET: mpnetX: daemon start failed	Meaning	Activation of the MPNET monitoring daemon of mpnetX failed.
	Workaround	Contact your technical support.
mpnetinit: /opt/FJSVmpnet/sbin/mpnetctl not found	Meaning	/opt/FJSVmpnet/sbin/mpnetctl command is missing.
	Workaround	Verify whether the file is installed correctly. Contact your technical support if problem persists.
mpnetinit: /etc/opt/FJSVmpnet/conf/config not found	Meaning	/etc/opt/FJSVmpnet/conf/config file is missing.
	Workaround	Verify whether the file is installed correctly. Contact your technical support if problem persists.
mpnetinit: /etc/opt/FJSVmpnet/conf/parameters not found	Meaning	/etc/opt/FJSVmpnet/conf/parameters file is missing.
	Workaround	Verify whether the file is installed correctly. Contact your technical support if problem persists.
mpnetinit: /opt/FJSVmpnet/daemon/mpnetd not found	Meaning	/opt/FJSVmpnet/daemon/mpnetd daemon is missing.
	Workaround	Verify whether the file is installed correctly. Contact your technical support if problem persists.
mpnetinit: /etc/opt/FJSVmpnet/conf/parameters configuration error	Meaning	The environmental configuration is not defined in the /etc/opt/FJSVmpnet/conf/parameters file.

Message	Description	
	Workaround	Verify the environmental configuration is correctly defined in /etc/opt/FJSVmpnet/conf/parameters file
mpnetinit: /opt/FJSVmpnet/sbin/mpnetctl failed	Meaning	/opt/FJSVmpnet/sbin/mpnetctl command abnormally ended.
	Workaround	Check the error message about /opt/FJSVmpnet/sbin/mpnetctl command to see if the environment is correctly defined.
can't unload the module: Device busy	Meaning	The MPNET driver cannot be unloaded.
	Workaround	Deactivate all the upper protocols that use the MPNET driver, and deactivate MPNET again
mpnetctl: ERROR: /dev/xxx: NNNN NNNN	Meaning	Abnormality occurred in /dev/xxx.
	Workaround	Verify the environmental configuration and installation of the driver. Contact your technical support if problem persists.
mpnetctl: ERROR: /var/opt/FJSVmpnet/conf/mpnettab: No such file or directory	Meaning	/var/opt/FJSVmpnet/conf/mpnettab file is missing.
	Workaround	Verify the installation of the driver. Contact your technical support if problem persists.
mpnetctl: ERROR: /var/opt/FJSVmpnet/conf/mpnettab: Link index not found	Meaning	LINK index is not found in /var/opt/FJSVmpnet/conf/mpnettab file.
	Workaround	Verify the interface name is specified correctly.
mpnetctl: ERROR: /etc/opt/FJSVmpnet/conf/config: NNNN	Meaning	An abnormality is found in /etc/opt/FJSVmpnet/conf/config file.
	Workaround	Verify the installation of the driver. Contact your technical support if problem persists.
mpnetctl: ERROR: /etc/opt/FJSVmpnet/conf/config: Device configuration error	Meaning	The wrong device name is specified in /etc/opt/FJSVmpnet/conf/config file.
	Workaround	Correct the device name specified in /etc/opt/FJSVmpnet/conf/config file.
mpnetctl: ERROR: /etc/opt/FJSVmpnet/conf/config: Device type error	Meaning	The specified device name and device type specified in /etc/opt/FJSVmpnet/conf/config file are mismatched.
	Workaround	Verify the device name and device type specified in /etc/opt/FJSVmpnet/conf/config file are entered correctly.
mpnetctl: ERROR: mpnetX: Select device error: yyy	Meaning	An error was found in device name yyy specified in mpnetX.
	Workaround	Verify the specified device name yyy.
mpnetctl: ERROR: configuration device count error: mpnetX	Meaning	The number of specified devices exceeds the maximum number allowed.
	Workaround	Verify the number of devices defined in /etc/opt/FJSVmpnet/conf/config file does not exceed the maximum number allowed.
mpnetctl: mpnetX: configuration parameter error: /etc/opt/FJSVmpnet/conf/config	Meaning	The specified interface name is not found in /etc/opt/FJSVmpnet/conf/config file.
	Workaround	Verify the specified interface name is defined in /etc/opt/FJSVmpnet/conf/config file correctly.
mpnetctl: mpnetX: configuration parameter error: /etc/opt/FJSVmpnet/conf/parameters	Meaning	The specified interface name is not found in /etc/opt/FJSVmpnet/conf/parameters file.
	Workaround	Confirm the specified interface name is defined in /etc/opt/FJSVmpnet/conf/parameters file correctly.
mpnetctl: XXX: unknown name	Meaning	An error was found in interface name XXX.
	Workaround	Specify a correct interface name.
mpnetctl: mpnetX: not enough memory	Meaning	Memory cannot be allocated due to insufficient memory.

Message	Description	
	Workaround	Increase memory to solve the problem and retry this command again.
mpnetctl: mpnetX: /dev/mpnet: NNNN	Meaning	The /dev/mpnet file "OPEN" and the activation failed. (NNNN indicates the error information)
	Workaround	Contact your technical support.
mpnetctl: mpnetX: /etc/opt/FJSVmpnet/conf/config: NNNN	Meaning	The /etc/opt/FJSVmpnet/conf/config file "OPEN" failed. (NNNN indicates the error information)
	Workaround	Contact your technical support.
mpnetctl: mpnetX: /etc/opt/FJSVmpnet/conf/parameters: NNNN	Meaning	The /etc/opt/FJSVmpnet/conf/parameters file "OPEN" failed. (NNNN indicates the error information)
	Workaround	Contact your technical support.
mpnetctl: mpnetX: file definition error: /etc/opt/FJSVmpnet/conf/parameters	Meaning	Wrong information was found in the environmental configuration of /etc/opt/FJSVmpnet/conf/parameters file.
	Workaround	Check the environmental configuration of /etc/opt/FJSVmpnet/conf/parameters file to see if there is error in the file.
mpnetctl: mpnetX: file definition error: /etc/opt/FJSVmpnet/conf/parameters	Meaning	Wrong information was found in the environmental configuration of /etc/opt/FJSVmpnet/conf/parameters file.
	Workaround	Check the environmental configuration of /etc/opt/FJSVmpnet/conf/parameters file to see if there is error in the file.
mpnetctl: mpnetX: configuration device error: /etc/opt/FJSVmpnet/conf/config	Meaning	Wrong information was found in the environmental configuration of /etc/opt/FJSVmpnet/conf/config file.
	Workaround	Check the environmental configuration of /etc/opt/FJSVmpnet/conf/config file to see if there is error in the file.
mpnetctl: mpnetX: can't get Global MAC address: /etc/opt/FJSVmpnet/conf/parameters	Meaning	Obtaining the global MAC address failed.
	Workaround	Contact your technical support.
mpnetctl: mpnetX: configuration device count error: mpnetX	Meaning	The number of specified devices exceeds the maximum number allowed.
	Workaround	Verify the number of devices defined in /etc/opt/FJSVmpnet/conf/config file does not exceed the maximum number allowed.

A.3.2 mpnetconfig command messages

Refer to Section "A.3.1 mpnetinit command messages" for the message output by the mpnetconfig command.

A.4 iompadm Command Messages

Description of messages output at the iompadm command and the workaround are explained.

Table A.4 List of messages

Message	Description	
iompadm: cannot initialize library: Permission Denied	Meaning	The initialization failed because an authority other than super user tried to process the command.
	Workaround	Execute the command as super user.
iompadm: cannot initialize library: No Memory	Meaning	The initialization failed due to insufficient memory.
	Workaround	Increase memory to solve the problem and retry this command again.
iompadm: Too many classes specified: Invalid Arguments	Meaning	The class was specified two times or more.

Message	Description	
	Workaround	Confirm the synopsis of this command.
iompadm: invalid command: Invalid Arguments	Meaning	An error is found in the subcommand name.
	Workaround	Confirm the synopsis of this command.
iompadm: cannot initialize library: Invalid Path	Meaning	There is no valid Plug-In or initialization is failed for all the Plug-Ins.
	Workaround	Verify the driver is installed correctly. Contact your technical support if problem persists.
iompadm: XXX: Invalid Arguments	Meaning	An error was found in the specified option, subcommand or parameter.
	Workaround	Confirm the synopsis of this command.
iompadm: XXX: No Memory	Meaning	An insufficient memory condition occurred while processing this command.
	Workaround	Increase memory to solve the problem and retry the command again.
iompadm: XXX: Invalid Path Number	Meaning	The path was added/deleted to the same class by another process while processing this command.
	Workaround	Execute the command again after the other process completes.
iompadm: XXX: Invalid Path	Meaning	An error was found in the communication path name specified in the parameter.
	Workaround	Specify a valid communication path name.
iompadm: XXX: Too Many Path	Meaning	The communication paths specified in the parameter exceeded the maximum number allowed.
	Workaround	Confirm the number of target that devices specified in the environmental configuration does not exceed the maximum number allowed.
iompadm: XXX: Not Implemented	Meaning	The specified subcommand is not supported in this product.
	Workaround	Use an available subcommand.
iompadm: XXX: Class not Found	Meaning	The class that corresponds to the specified communication path name is not found.
	Workaround	Verify the specified communication path name.
iompadm: XXX: Not Supported	Meaning	It was going to change to an unsupported.
	Workaround	Use an available subcommand.
iompadm: XXX: IO Error	Meaning	The command abnormally ended.
	Workaround	Check the network equipment (NIC, cables, and switches). Contact your technical support if problem persists.
iompadm: XXX: Internal Error	Meaning	The specified interface name does not exist. Or, the command is not accepted.
	Workaround	Verify the specified interface name or subcommand.
iompadm: XXX: Invalid Instance	Meaning	An error was found in the specified interface name.
	Workaround	Verify the specified interface name.
iompadm: XXX: Class not Found	Meaning	The class name specified by XXX does not exist.
	Workaround	Specify the correct class name.

A.5 mpnetstat Command Messages

Description of messages output at the mpnetstat command and the workaround are explained.

Table A.5 List of messages

Message	Description	
MPNET: mpnetstat: Not super-user	Meaning	The command failed because an authority other than the super-user tried to execute.
	Workaround	Execute the command as super-user.
MPNET: mpnetstat: malloc error NNNN	Meaning	An insufficient memory condition occurred while executing this command (NNNN indicates the error information)
	Workaround	Increase memory to solve the problem and retry the command again.
MPNET: mpnetstat: /dev/mpnet open error NNNN	Meaning	The /dev/mpnet file open and the activation failed. (NNNN indicates the error information)
	Workaround	Contact your technical support.
MPNET: mpnetstat: /usr/sbin/netstat -k error (NNNN)	Meaning	Failed to execute the /usr/bin/netstat command. (NNNN indicates the error information)
	Workaround	Contact your technical support.
MPNET: mpnetstat: ioctl(FIOMPGETPROP) error NNNN	Meaning	Failed to execute the command for the MPNET driver. (NNNN indicates the error information)
	Workaround	Contact your technical support.
MPNET: mpnetstat: ioctl(FIOMPALLINSTNUM) error NNNN	Meaning	Failed to execute the command for the MPNET driver. (NNNN indicates the error information)
	Workaround	Contact your technical support.

A.6 mpnetlinkwatch Command Messages

Description of messages output at the mpnetlinkwatch command and the workaround are explained.

Table A.6 List of messages

Message	Description	
MPNET: mpnetlinkwatch: Not super-user	Meaning	The command failed because an authority other than the super-user tried to execute.
	Workaround	Execute the command as super-user.
MPNET: mpnetlinkwatch: /etc/opt/FJSVmpnet/conf/config not found	Meaning	/etc/opt/FJSVmpnet/conf/config file is missing.
	Workaround	Verify the file is installed correctly. Contact your technical support if problem persists.
MPNET: mpnetlinkwatch: /etc/opt/FJSVmpnet/conf/config XXX not found	Meaning	The specified interface name (XXX) is not found in the /etc/opt/FJSVmpnet/conf/config file.
	Workaround	Confirm whether the specified interface name is correct or it is defined as /etc/opt/FJSVmpnet/conf/config file.
MPNET: mpnetlinkwatch: /etc/opt/FJSVmpnet/conf/config mpnetX illegal media type yyy	Meaning	There is an error in the media type defined in the /etc/opt/FJSVmpnet/conf/config file for the specified interface name (mpnetX).
	Workaround	Verify the media type (yyy) of the interface name (mpnetX) defined in the /etc/opt/FJSVmpnet/conf/config file.
MPNET: mpnetlinkwatch: malloc error NNNN	Meaning	An insufficient memory condition occurred while executing this command (NNNN indicates the error information)
	Workaround	Increase memory to solve the problem and retry the command again.

Message	Description	
MPNET: mpnetlinkwatch: /dev/mpnet open error NNNN	Meaning	The /dev/mpnet file open and the activation failed. (NNNN indicates the error information)
	Workaround	Contact your technical support.
MPNET: mpnetlinkwatch: mpnetX yyy illegal	Meaning	There is an error in the device name yyy specified by mpnetX.
	Workaround	Verify the specified device name.
MPNET: mpnetlinkwatch: mpnetX yyy line error (link down)	Meaning	For device yyy, a transmission path failure (cable missing (Link Down), etc.) was detected.
	Workaround	Check whether the communication path is connected correctly. Restore the MPNET by using the iompadm recover command after the cause is solved.
MPNET: mpnetlinkwatch: ioctl(FIOMPMPATHNUM) error NNNN	Meaning	Failed to execute the command for the MPNET driver. (NNNN indicates the error information)
	Workaround	Contact your technical support.
MPNET: mpnetlinkwatch: ioctl(FIOMPGETPROP) error NNNN	Meaning	Failed to execute the command for the MPNET driver. (NNNN indicates the error information)
	Workaround	Contact your technical support.
MPNET: mpnetlinkwatch: ioctl(MPNIOCLINKDOWN) error NNNN	Meaning	Failed to execute the command for the MPNET driver. (NNNN indicates the error information)
	Workaround	Contact your technical support.

Appendix B Line Monitoring Function

This appendix describes the Line monitoring function.

B.1 Line Monitoring Function

B.1.1 Fault monitoring

In the multipath method, a monitor frame is periodically transmitted from the communication path of the "active" state to switches, and the response is monitored by the Line monitoring daemon. If there is no response from any switch, the communication path is change to the "fail" state. And the communication path of "standby" state is changed to the "active" state. Then Line monitoring is continued.

In addition, when the communication path becomes "fail" state by Link Down detection of cable disconnection etc., it can be recovered automatically by removing the cause of Link Down (e.g. connect the cable). In the failure monitoring of standby NICs, the link status of the driver that controls a standby NIC is monitored periodically.

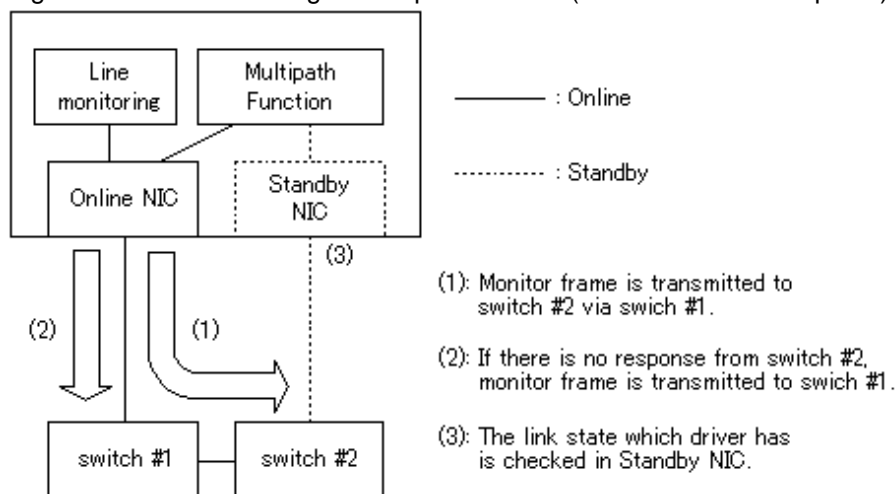


Note

- This function supports IPv4 protocol. It does not support IPv6 protocol.
- This daemon does not support the Multilink Ethernet method. When using Multilink Ethernet method, the conventional daemon (mpnetd) is started.

The line monitoring method of two communication paths is shown in "Figure B.1 Line Monitoring of Multipath method (two communication paths)".

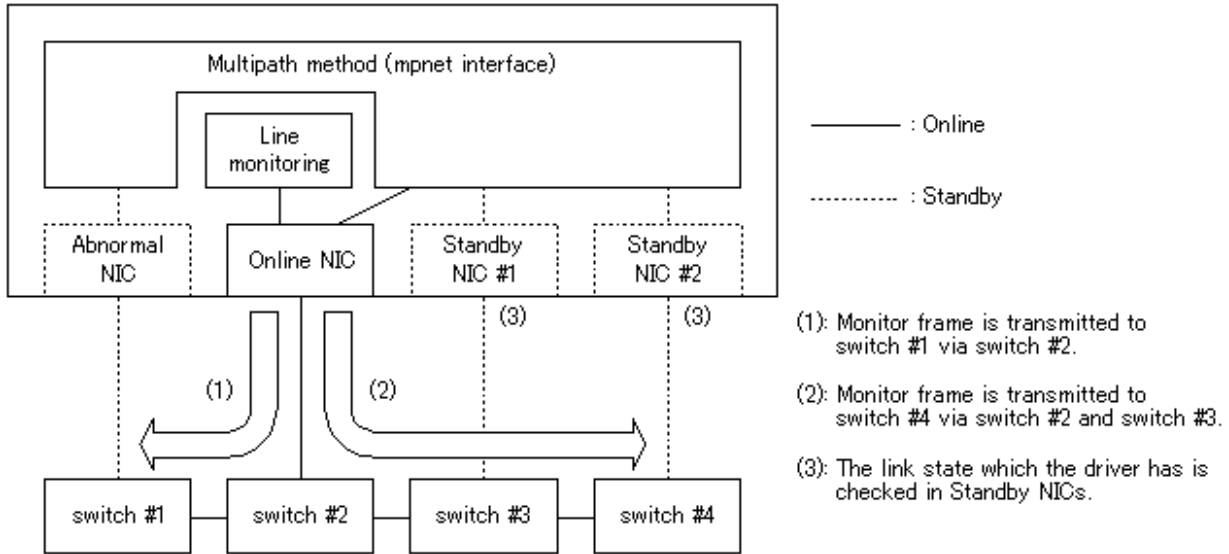
Figure B.1 Line Monitoring of Multipath method (two communication paths)



When the Multipath method is activated, a monitor frame is periodically transmitted from the online NIC to switch which is connected standby NIC, and the response is monitored. If there is no response from the switch #2 monitoring-count times, this daemon is considered that there is a certain failure in the route from the online NIC to the switch #2. Next, a monitor frame is transmitted to the switch #1 connected to the online NIC. If there is the response of the monitor frame to switch #1, it can be regarded as the failure of the switch #2, or the failure of the cascade cable between the switch #1 and switch #2. And it continues line monitoring to switch #1. Conversely, if there is no response from switch #1, it considers that there is the failure of the online NIC, the failure of the switch #1, or the failure of cable which connects between NIC and switch, and the standby NIC is changed to the online NIC.

The line monitoring method of four transmission paths is indicated below.

Figure B.2 Line Monitoring of Multipath method (four communication paths)



When the Multipath method is activated, a monitor frame is periodically transmitted from the online NIC to switch which is connected standby NIC, and the response is monitored. In order to clarify which devices is failure, if there is no response from the switch #4, like the switch #3, the switch #2, the switch #1, the candidate for the line monitoring will be brought close to online NIC in order, and will be monitored. The failure is detected by either the switch #1, the cable connected to it, or NIC, and the state after the communication path was changed is shown in "Figure B.2 Line Monitoring of Multipath method (four communication paths)". In this case, monitor frames are transmitted from the online NIC to both switch #1 and switch #4 simultaneously, and responses are monitored.

The communication path of "fail" state can be recovered as "standby" or "active" state by removing the cause of Link Down. In the failure monitoring of standby NICs, the link status of the driver that controls a standby NIC is monitored periodically.

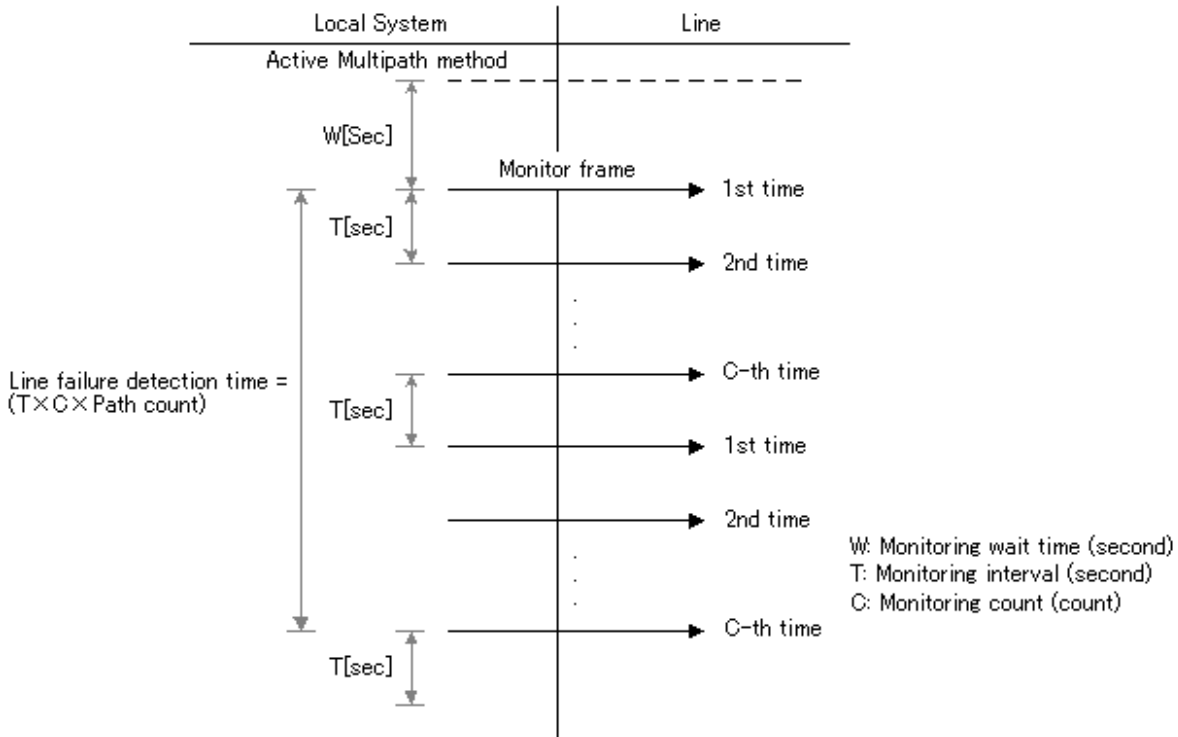
B.1.2 Switching time

The switching time of a transmission path in the online NIC is represented by "monitoring interval (sec) x monitoring count (count) x the number of transmission paths (line)". The monitoring interval can be set in the range of 2 to 300 seconds and the monitoring count can be set in the range of 1 to 300 times. By default, they are 5 seconds and 2 times respectively.

In addition, immediately after activation of a MPNET interface, the transmission path is not monitored until the monitoring wait time (sec) passed to wait for the Ethernet link to be established. Possible to set the time to wait for link up in a range of 0 to 300 seconds and a default value is 0 second.

The fault detection time in standby NICs is represented by "standby monitoring interval (sec)", and a default value is 300 seconds.

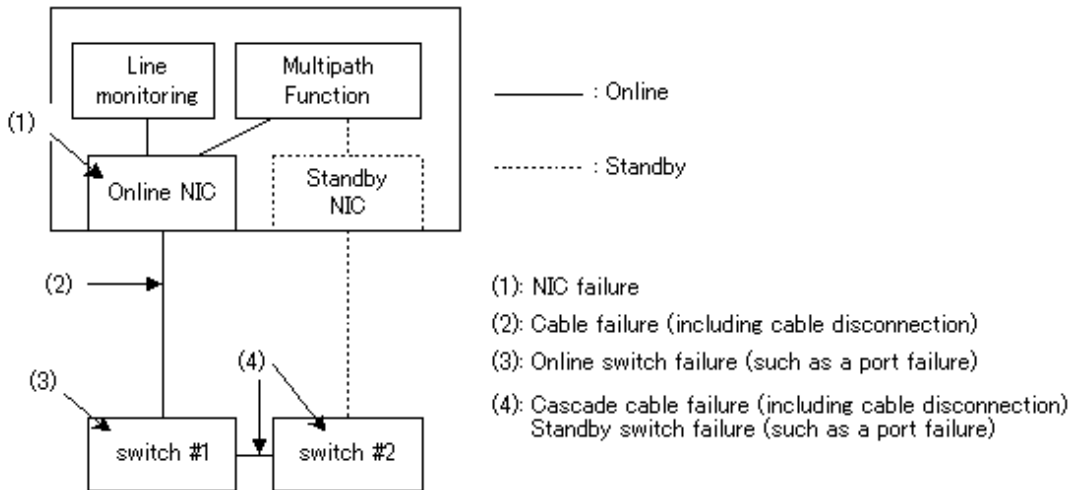
Figure B.3 Fault Detection Time



B.1.3 Detectable failures

The following failures can be detected:

Figure B.4 Effective Monitoring Range



Because the failures in (1) to (3) appear to be the same failure, it is not possible to determine under which of the four failure types these failures should be classified. Each device has to be checked to make this determination.

B.1.4 Monitoring start/stop timing

The Line monitoring daemon is automatically started when the system is activated and is automatically stopped when the system is stopped. It is also possible to start or stop this daemon by using the operational command (mpnetinit command, mpnetconfig command). In cluster system, this daemon of each node is started and stopped independently.

This daemon is executed on the number of processes of which the logical interfaces are activated. This means that one process of the Line monitoring daemon is started for one logical interface.

The process name of this daemon is "mpnetpoll".

B.2 Configuration of the Line Monitoring Function

This section describes the configuration of the Line monitoring function.

The configuration files are provided beforehand. Use the text editor to configure the following files.

The definitions of these files are described below.

- [B.2.1 /opt/FJSVmpnet/daemon/mpnetpoll.conf file](#)
- [B.2.2 /etc/opt/FJSVmpnet/conf/switch.conf file](#)

B.2.1 /opt/FJSVmpnet/daemon/mpnetpoll.conf file

This file defines basic behavior of the Line monitoring daemon.

The default values are beforehand defined as this file. Please change values, if needed.

The form of the entry is shown below.

```
# Copyright (c) 2003 Fujitsu, Ltd.
# All Rights Reserved
#
#ident "@(#)mpnetpoll.conf 1.0 2003/02/13 09:20:00 - FUJITSU"

# daemon watching time
TIME                5

# daemon watching count
COUNT              2

# standby patrol mode
PATROL_MODE         1

# standby patrol time
PATROL_TIME         300

# daemon watch wait time
WAIT_TIME           0

# Auto Recovery Mode
AUTO_RECOVER_MODE   1
```

TIME

This indicates the monitoring interval (sec) of the online NIC. The monitoring interval can be set in the range of 2 to 300. By default, this value is 5 seconds.

COUNT

This indicates the monitoring count (count) of the transmission path. The monitoring count can be set in the range of 1 to 300 times. By default, this value is 2 times.

In the fault monitoring, if this daemon fails in monitoring continuously "monitoring count" times, the communication path is switched.

PATROL_MODE

This indicates the fault monitoring of standby NICs. The value of "[Table B.1 Value of fault monitoring of standby NIC](#)" can be specified.

Table B.1 Value of fault monitoring of standby NIC

Value	Fault monitoring of standby NIC
1	Monitoring the standby NICs (default)
0	Not monitoring the standby NICs.

If any other value is specified, this daemon is not monitored the standby NICs.

PATROL_TIME

This indicates the monitoring interval (sec) of standby NICs. The monitoring interval of standby NICs can be set in the range of <set value of TIME> to 30000 seconds. By default, this value is 300 seconds.

WAIT_TIME

This indicates the monitoring wait time (sec) until this daemon starts the fault monitoring, after this daemon is started. This value can be set in range of 0 to 300 seconds. The default value is 0 second.

AUTO_RECOVER_MODE

This indicates recovery mode of transmission paths. The value of "[Table B.2 Value of automatic recovery mode of transmission path](#)" can be specified.

Table B.2 Value of automatic recovery mode of transmission path

Value	Automatic recovery mode of transmission path
1	automatic recovery mode (default)
0	manual recovery mode

The automatic recovery function is valid only for the transmission path that became "fail" state by Link Down, such as a cable disconnection. The transmission path that became "fail" state by causes other than Link Down is not recovered automatically.

The configuration example is shown below. In configuration example, the monitoring interval is 3 seconds, monitoring count is 3 times, monitoring interval of standby NICs is 600 seconds, and monitoring wait time is 10 seconds.

```
# Copyright (c) 2003 Fujitsu, Ltd.
# All Rights Reserved
#
#ident "@(#)mpnetpolld.conf 1.0 2003/02/13 09:20:00 - FUJITSU"

# daemon watching time
TIME                3

# daemon watching count
COUNT              3

# standby patrol mode
PATROL_MODE         1

# standby patrol time
PATROL_TIME         600

# daemon watch wait time
WAIT_TIME           10

# Auto Recovery Mode
AUTO_RECOVER_MODE   1
```



- This file cannot be configured for every logical interface.
- When the load of CPU or a transmission path is high, the failure in a transmission path may be detected by this daemon. If the failure is detected, please increase the monitoring interval (<set value of TIME>).
- When changing parameter values in this file, please change enough in consideration of relation with other applications etc.

B.2.2 /etc/opt/FJSVmpnet/conf/switch.conf file

This file defines the logical device name of NIC aggregated by using Multipath method and the IP address of the switch connected to the NIC. When using the Line monitoring daemon, please be sure to configure this file.

The form of the entry is shown below. This file configures to one MPNET interface using one or more lines (the number of communication paths). The first line specifies a MPNET interface name, the logical device name of LAN, and the IP address of the switch connected the NIC. The logical device name of NIC and the IP address of the switch connected the NIC are specified after the second line.

```
#ident "@(#)watchdog.conf  Rel 1.0 03/05/07 FUJITSU"
#
# /etc/opt/FJSVmpnet/conf/switch.conf file
#
# Set the hostname, IP address for mpnetpoll.
#
# format:
# interface-name      lan-interface  IP-address
#                   lan-interface  IP-address
#                   :                :
# interface-name      lan-interface  IP-address
#
# example:
# mpnet0              hme0          192.168.0.1
#                   hme1          192.168.0.2
#
# mpnet1              ge0          192.168.10.21
#                   ge1          192.168.10.31
#                   ge2          192.168.10.41
#
```

interface-name

This indicates a MPNET interface name.

A MPNET interface name specifies an interface name defined by "[3.2 /etc/opt/FJSVmpnet/conf/config File](#)". Unique values must be specified in the same configuration.

lan-interface

This indicates an devicename of NIC which is aggregated by Multipath method.

An devicename is specified one deviceper line. If two or more deviceare specified per line, it may not behave normally.

IP-address

This indicates an IP address of the switch connected to *lan-interface* which is aggregated by Multipath method.

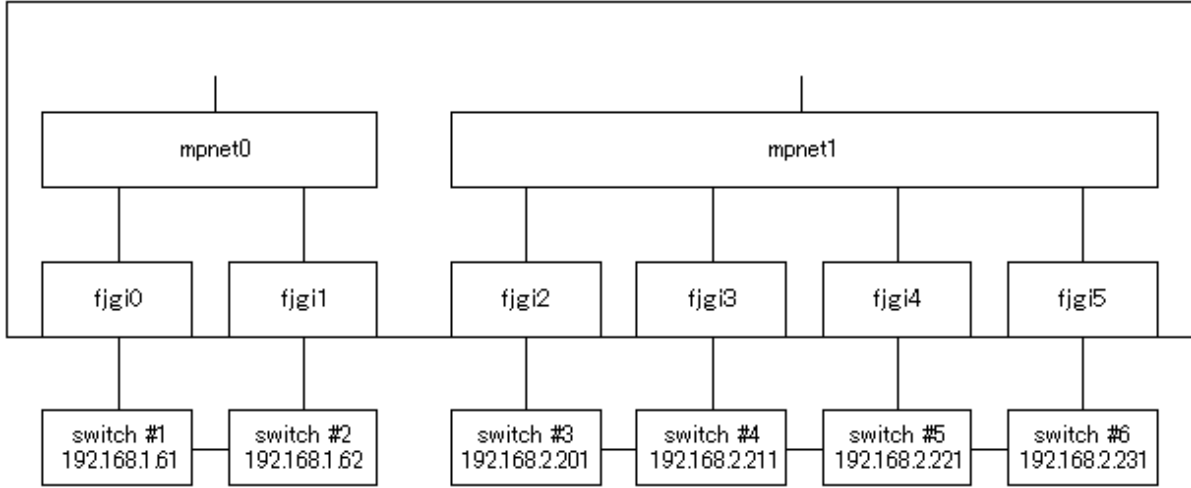
Please specify the IP addresses assigned to switches at the same network address as the IP address which the "[3.4 /etc/opt/FJSVmpnet/conf/hosts File](#)" defined.

Please indicate a logical device name and the IP address of a switch in order from the end to the end. In the case of "mpnet1" interface of "[Figure B.5 Connection example of the Multipath Function](#)", the first line indicates the MPNET interface name (mpnet1), the logical device

name (fjgi2) of the NIC connected to the switch #3 and the IP address of the switch #3. The logical device name and the IP address of the switch are indicated from the switch #4 to the switch #6 in order after the second line. For example, the second line indicates the logical device name (fjgi3) of the NIC connected to the switch #4 and the IP address of the switch #4.

The definition example of this file in the "Figure B.5 Connection example of the Multipath Function" is shown below.

Figure B.5 Connection example of the Multipath Function



```

#ident "@(#)watchdog.conf Rel 1.0 03/05/07 FUJITSU"
#
# /etc/opt/FJSVmpnet/conf/switch.conf file
#
#
# Set the hostname, IP address for mpnetpollld.
#
# format:
# interface-name      lan-interface  IP-address
# interface-name      lan-interface  IP-address
#                   :                :
# interface-name      lan-interface  IP-address
#
# example:
# mpnet0              hme0          192.168.0.1
#                   hme1          192.168.0.2
#
# mpnet1              ge0          192.168.10.21
#                   ge1          192.168.10.31
#                   ge2          192.168.10.41
#
mpnet0               fjgi0         192.168.1.61
                   fjgi1         192.168.1.62
mpnet1               fjgi2         192.168.2.201
                   fjgi3         192.168.2.211
                   fjgi4         192.168.2.221
                   fjgi5         192.168.2.231
  
```

 Note

- The host name cannot be specified to the IP address field. Please specify the IP address directly.

- The IPv6 address cannot be specified to the IP address field. IPv6 is not supported.

B.3 Adding/Deleting the Communication Path

Since a device name of NICs and an IP address of switches to monitor are changed when a communication path is added or deleted, it is necessary to update the internal information of the Line monitoring daemon.

This section describes the procedure required to add and delete the communication path dynamically.

1. Adding or Deleting the Communication Path

By using the Multipath common command, `iompadm` command, add or delete the communication path.

Please refer to "[Chapter 8 DR \(Dynamic Reconfiguration\) Function](#)" about addition or deletion of a communication path.

2. Update the configuration file

Please update the `/etc/opt/FJSVmpnet/conf/switch.conf` file about the logical device name of the communication path added or deleted, and the IP address of the switch connected to the NIC. Please refer to "[B.2.2 /etc/opt/FJSVmpnet/conf/switch.conf file](#)" for details.

3. Update the internal information of the Line monitoring daemon

Please execute the following command, in order to update the internal information of the Line monitoring daemon to the information defined in procedure 2.

```
# /opt/FJSVmpnet/bin/mpnetudtbl mpnetX
```

Please refer to "[B.3.1 mpnetudtbl command](#)" about the details of this command.

B.3.1 mpnetudtbl command

Name

`mpnetudtbl` - Internal information update command of the Line monitoring daemon

Synopsis

```
/opt/FJSVmpnet/bin/mpnetudtbl interface_name
```

Description

The `mpnetudtbl` command updates the internal information of the Line monitoring daemon to the MPNET interface specified by `interface_name`. When a communication path is added or deleted dynamically, please execute this command.

Notes

This command can only be issued by the super-user.

B.4 Messages of the Line Monitoring Daemon

This section explains the list of console message that the Line monitoring daemon output.

Table B.3 List of the messages

Message	Description	
WARNING: MPNET: mpnetpollid: Not super-user	Meaning	The command failed because an authority other than the super-user tried to activate interfaces.
	Workaround	Activate interfaces as super-user.

Message	Description	
WARNING: MPNET: mpnetpolld: /etc/opt/FJSMpnet/conf/switch.conf not found	Meaning	The "/etc/opt/FJSMpnet/conf/switch.conf" file is not found.
	Workaround	Confirm whether the "/etc/opt/FJSMpnet/conf/switch.conf" file exists. If the file is not found, check whether the patch is applied correctly. If the problem persists, contact your technical support.
WARNING: MPNET: mpnetpolld: /etc/opt/FJSMpnet/conf/switch.conf cannot open	Meaning	Failed to open the "/etc/opt/FJSMpnet/conf/switch.conf" file.
	Workaround	Confirm whether the "/etc/opt/FJSMpnet/conf/switch.conf" file exists. If the problem persists, contact your technical support.
WARNING: MPNET: mpnetpolld: cannot find mpnetX interface setting	Meaning	The mpnetX interface setting cannot find in the "/etc/opt/FJSMpnet/conf/switch.conf" file.
	Workaround	Confirm whether the mpnetX interface setting is defined in the "/etc/opt/FJSMpnet/conf/switch.conf" file correctly.
WARNING: MPNET: mpnetpolld: mpnetX yyy line error (link down)	Meaning	In device yyy of the mpnetX interface, an abnormal transmission path (cable disconnection (Link Down), etc.) was detected.
	Workaround	Confirm whether the communication path is connected correctly. After the cause is solved, when the automatic recovery mode is on, the communication path is recovered automatically. Otherwise, the communication path is recovered by using "iompadm recover" command.
WARNING: MPNET: mpnetpolld: mpnetX yyy line error	Meaning	In device yyy of the mpnetX interface, an abnormal transmission path (network failure other than Link Down) was detected.
	Workaround	Check the network equipment (NIC, cables, and switches). Recover the mpnetX interface by using the "iompadm recover" command after the cause is solved.
WARNING: MPNET: mpnetpolld: mpnetX: switch (IP: aaa.bbb.ccc.ddd) polling failed	Meaning	Failed to monitor the switch (IP address: aaa.bbb.ccc.ddd).
	Workaround	Check whether there is any problem in the switch which the IP address (aaa.bbb.ccc.ddd) is assigned, or in route to the switch. After the cause is solved, the communication path is recovered automatically.
NOTICE: MPNET: mpnetpolld: mpnetX: switch (IP: aaa.bbb.ccc.ddd) polling repair	Meaning	The route to a switch (IP address: aaa.bbb.ccc.ddd) is recovered.
	Workaround	Normal operation. No action required.