

# **FUJITSU Software**

# **ServerView Resource Orchestrator**

# **Cloud Edition V3.3.0**

## **Design Guide**

Windows

J2X1-7673-07ENZ0(06)  
March 2018

# Preface

---

## Purpose of This Document

This manual provides an outline of FUJITSU Software ServerView Resource Orchestrator Cloud Edition (hereinafter Resource Orchestrator) and the design and preparations required for setup.

## Intended Readers

This manual is written for system administrators who will use Resource Orchestrator to operate the infrastructure in private cloud or data center environments.

When setting up systems, it is assumed that readers have the basic knowledge required to configure the servers, storage, network devices, and server virtualization software to be installed. Additionally, a basic understanding of directory services such as Active Directory and LDAP is necessary.

## Structure of This Document

This manual is composed as follows:

### [Chapter 1 Documentation Road Map](#)

Explains the documentation road map, and how to read it.

### [Chapter 2 Overview](#)

Provides an overview of Resource Orchestrator.

### [Chapter 3 Flow of Resource Orchestrator Design and Preconfiguration](#)

Explains the flow of design and pre-configuration for Resource Orchestrator.

### [Chapter 4 System Configuration Design](#)

Explains points to keep in mind when setting up a Resource Orchestrator environment.

### [Chapter 5 Defining User Accounts](#)

Explains the user accounts used in Resource Orchestrator.

### [Chapter 6 Defining Tenants and Resource Pools](#)

Explains how to design tenants and resource pools.

### [Chapter 7 Defining High Availability and Disaster Recovery](#)

High availability is realized by using the following functions.

### [Chapter 8 Defining and Configuring the Server Environment](#)

Explains how to define and configure server environments.

### [Chapter 9 Defining and Configuring the Network Environment](#)

Explains how to define and pre-configure the network environment.

### [Chapter 10 Deciding and Configuring the Storage Environment](#)

Explains how to decide and configure the storage environment.

### [Chapter 11 Deciding and Configuring Server Virtualization Software](#)

Explains how to decide and configure server virtualization software.

### [Chapter 12 Configuring Single Sign-On](#)

The Single Sign On function of ServerView Operations Manager can be used for Resource Orchestrator user authentication. This section explains the necessary preparations.

### [Chapter 13 Deciding and Configuring the Power Monitoring Environment](#)

Explains how to decide and configure the power monitoring environment.

## Appendix A Port List

Explains the ports used by Resource Orchestrator.

## Appendix B HTTPS Communications

Explains the HTTPS communication protocol used by Resource Orchestrator and its security features.

## Appendix C Hardware Configuration

Explains how to configure hardware.

## Appendix D Preparations for Creating a Physical L-Server

Explains how to perform design and configuration when creating a physical L-Server.

## Appendix E Preparations for Creating a Virtual L-Server

Explains how to perform design and configuration when creating a virtual L-Server.

## Appendix F Preparing for Automatic Configuration and Operation of Network Devices

Explains how to prepare for automatic configuration of network devices and operation.

## Appendix G Sample Script for Automatic Configuration and Operation of Network Devices

Explains the sample scripts provided with Resource Orchestrator for performing automatic configuration of network devices and other operations.

## Appendix H Ethernet Fabric Devices

Explains the methods for managing Ethernet fabric devices.

## Appendix I Auto-configuration and Operations of Network Devices Using Simple Configuration Mode

Explains automatic configuration and the operation of network devices in simple configuration mode.

## Appendix J IPCOM VX Series Devices

Explains the methods for managing IPCOM VX series devices.

## Appendix K Preparations for Using VDI Coordination

Explains how to perform design and configuration for using VDI coordination.

## Web Site URLs

URLs provided as reference sources within the main text are correct as of March 2018.

## Document Conventions

The notation in this manual conforms to the following conventions.

- When there is different information for the different versions of Resource Orchestrator, it is indicated as follows:

|                   |                                     |
|-------------------|-------------------------------------|
| [All Editions]    | Sections relevant for all editions  |
| [Cloud Edition]   | Sections related to Cloud Edition   |
| [Virtual Edition] | Sections related to Virtual Edition |

- When using Resource Orchestrator and the functions necessary differ due to the necessary basic software (OS), it is indicated as follows:

[Windows Manager]

Sections related to Windows manager

[Linux Manager]

Sections related to Linux manager

[Windows]

Sections related to Windows

[Linux]

Sections related to Linux

[Red Hat Enterprise Linux]

Sections related to Red Hat Enterprise Linux

[Solaris]

Sections related to Solaris

[VMware]

Sections related to VMware

[Horizon View]

Sections related to VMware Horizon View

[Hyper-V]

Sections related to Hyper-V

[Xen]

Sections related to RHEL5-Xen

[KVM]

Sections related to RHEL-KVM

[Solaris Zones]

Sections related to Solaris Zones (Solaris 10) and Solaris Zones (Solaris 11)

[Solaris Zones (Solaris 10)]

Sections related to Solaris Zones with Solaris 10 VM hosts

[Solaris Zones (Solaris 11)]

Sections related to Solaris Zones with Solaris 11 VM hosts

[OVM for x86]

Sections related to Oracle VM Server for x86 2.2 and Oracle VM Server for x86 3.x

[OVM for x86 2.2]

Sections related to Oracle VM Server for x86 2.2

[OVM for x86 3.x]

Sections related to Oracle VM Server for x86 3.2 and Oracle VM Server for x86 3.3

[OVM for SPARC]

Sections related to Oracle VM Server for SPARC

[Citrix Xen]

Sections related to Citrix XenServer

[Physical Servers]

Sections related to physical servers

[Trend Micro OfficeScan]

Sections related to Trend Micro OfficeScan

[Symantec]

Sections related to Symantec Endpoint Protection

## [McAfee]

### Sections related to McAfee ePolicy Orchestrator

- Unless specified otherwise, the blade servers mentioned in this manual refer to PRIMERGY BX servers.
- Oracle Solaris may also be indicated as Solaris, Solaris Operating System, or Solaris OS.
- Oracle Solaris Zones may also be indicated as Solaris Containers or Solaris Container.
- Oracle VM Server for x86 may also be indicated as Oracle VM.
- In Resource Orchestrator, the following servers are referred to as SPARC Enterprise.
  - SPARC Enterprise M3000/M4000/M5000/M8000/M9000
  - SPARC Enterprise T5120/T5140/T5220/T5240/T5440
- In Resource Orchestrator, the following servers are referred to as SPARC M12.
  - SPARC M12-1/M12-2/M12-2S
- In Resource Orchestrator, the following servers are referred to as SPARC M10.
  - SPARC M10-1/M10-4/M10-4S
- Fujitsu SPARC M12 is the product name used for SPARC M12 when they are sold outside Japan.
- Fujitsu M10 is the product name used for SPARC M10 when they are sold outside Japan.
- In this manual, Fujitsu SPARC M12 is referred to as SPARC M12.
- In this manual, Fujitsu M10 is referred to as SPARC M10.
- In this manual, Fujitsu SPARC M12 and Fujitsu M10 are collectively referred to as SPARC M10/M12.
- In Resource Orchestrator, the following software is referred to as GLS.
  - PRIMECLUSTER GLS 4.4 or earlier
- In Resource Orchestrator, the following software is referred to as GDS.
  - PRIMECLUSTER GDS 4.4 or earlier
- References and character strings or values requiring emphasis are indicated using double quotes ( " ).
- GUI items are shown enclosed by brackets ( [ ] ).
- The order of selecting menus is indicated using [ ]-[ ] .
- Text to be entered by the user is indicated using bold text.
- Variables are indicated using italic text and underscores.
- The ellipses ("...") in menu names, indicating settings and operation window startup, are not shown.
- The ">" used in Windows is included in usage examples. When using Linux, read ">" as meaning "#".
- When using Resource Orchestrator on Windows 8 and Windows Server 2012, please note the following.  
When OS operations are explained in this manual, the examples assume OSs up to Windows 7 and Windows Server 2008. When using Resource Orchestrator on Windows 8 or Windows Server 2012, take explanations regarding the [Start] menu as indicating the [Apps] screen.  
The [Apps] screen can be displayed by right-clicking on the [Start] screen and then right-clicking [All apps].
- When using Resource Orchestrator on Windows 8.1 and Windows Server 2012 R2, please note the following.  
When OS operations are explained in this manual, the examples assume OSs up to Windows 7 and Windows Server 2008. When using Resource Orchestrator on Windows 8.1 or Windows Server 2012 R2, take explanations regarding the [Start] menu as indicating the [Apps] screen.  
The [Apps] screen can be displayed by swiping the [Start] screen from bottom to top, or clicking the downward facing arrow on the lower-left of the [Start] screen.

## Menus in the ROR console

Operations on the ROR console can be performed using either the menu bar or pop-up menus.

By convention, procedures described in this manual only refer to pop-up menus.

## Regarding Installation Folder Paths

The installation folder path may be given as C:\Fujitsu\ROR in this manual.

Replace it as shown below.

[Virtual Edition]

- When using Windows 64-bit (x64)  
C:\Program Files (x86)\Resource Orchestrator
- When using Windows 32-bit (x86)  
C:\Program Files\Resource Orchestrator

[Cloud Edition]

C:\Program Files (x86)\Resource Orchestrator

## Command Examples

The paths used in command examples may be abbreviated. When using commands, execute them using the paths in the "Name" column in the "Reference Guide (Command) VE" and the "Reference Guide (Command/XML) CE".

## Abbreviations

The following abbreviations are use in this manual.

### Category

#### Abbreviation

- Products

### Windows

#### Windows

- Microsoft(R) Windows Server(R) 2008 Standard
- Microsoft(R) Windows Server(R) 2008 Enterprise
- Microsoft(R) Windows Server(R) 2008 R2 Standard
- Microsoft(R) Windows Server(R) 2008 R2 Enterprise
- Microsoft(R) Windows Server(R) 2008 R2 Datacenter
- Microsoft(R) Windows Server(R) 2012 Standard
- Microsoft(R) Windows Server(R) 2012 Datacenter
- Microsoft(R) Windows Server(R) 2012 R2 Essentials
- Microsoft(R) Windows Server(R) 2012 R2 Standard
- Microsoft(R) Windows Server(R) 2012 R2 Datacenter
- Microsoft(R) Windows Server(R) 2016 Standard
- Microsoft(R) Windows Server(R) 2016 Datacenter

- Windows Vista(R) Business
- Windows Vista(R) Enterprise
- Windows Vista(R) Ultimate
- Windows(R) 7 Professional
- Windows(R) 7 Ultimate
- Windows(R) 8 Pro
- Windows(R) 8 Enterprise
- Windows(R) 8.1 Pro
- Windows(R) 8.1 Enterprise
- Windows(R) 10 Pro
- Windows(R) 10 Enterprise

#### Windows Server 2008

- Microsoft(R) Windows Server(R) 2008 Standard
- Microsoft(R) Windows Server(R) 2008 Enterprise
- Microsoft(R) Windows Server(R) 2008 R2 Standard
- Microsoft(R) Windows Server(R) 2008 R2 Enterprise
- Microsoft(R) Windows Server(R) 2008 R2 Datacenter

#### Windows 2008 x86 Edition

- Microsoft(R) Windows Server(R) 2008 Standard (x86)
- Microsoft(R) Windows Server(R) 2008 Enterprise (x86)

#### Windows 2008 x64 Edition

- Microsoft(R) Windows Server(R) 2008 Standard (x64)
- Microsoft(R) Windows Server(R) 2008 Enterprise (x64)

#### Windows Server 2012

- Microsoft(R) Windows Server(R) 2012 Standard
- Microsoft(R) Windows Server(R) 2012 Datacenter
- Microsoft(R) Windows Server(R) 2012 R2 Essentials
- Microsoft(R) Windows Server(R) 2012 R2 Standard
- Microsoft(R) Windows Server(R) 2012 R2 Datacenter

#### Windows Server 2016

- Microsoft(R) Windows Server(R) 2016 Standard
- Microsoft(R) Windows Server(R) 2016 Datacenter

#### Windows PE

- Microsoft(R) Windows(R) Preinstallation Environment

#### Windows Vista

- Windows Vista(R) Business
- Windows Vista(R) Enterprise
- Windows Vista(R) Ultimate

## Windows 7

- Windows(R) 7 Professional
- Windows(R) 7 Ultimate

## Windows 8

- Windows(R) 8 Pro
- Windows(R) 8 Enterprise
- Windows(R) 8.1 Pro
- Windows(R) 8.1 Enterprise

## Windows 10

- Windows(R) 10 Pro
- Windows(R) 10 Enterprise

## DOS

- Microsoft(R) MS-DOS(R) operating system, DR DOS(R)

## MSFC

- Microsoft(R) Windows Server(R) 2008 Enterprise (x86, x64) Failover Cluster
- Microsoft(R) Windows Server(R) 2012 Standard Failover Cluster
- Microsoft(R) Windows Server(R) 2012 Datacenter Failover Cluster

## SCVMM

- Microsoft(R) System Center Virtual Machine Manager 2008 R2
- Microsoft(R) System Center 2012 Virtual Machine Manager
- Microsoft(R) System Center 2012 R2 Virtual Machine Manager
- Microsoft(R) System Center 2016 Virtual Machine Manager

## Linux

### Linux

- Red Hat(R) Enterprise Linux(R) AS (v.4 for x86)
- Red Hat(R) Enterprise Linux(R) ES (v.4 for x86)
- Red Hat(R) Enterprise Linux(R) AS (v.4 for EM64T)
- Red Hat(R) Enterprise Linux(R) ES (v.4 for EM64T)
- Red Hat(R) Enterprise Linux(R) AS (4.5 for x86)
- Red Hat(R) Enterprise Linux(R) ES (4.5 for x86)
- Red Hat(R) Enterprise Linux(R) AS (4.5 for EM64T)
- Red Hat(R) Enterprise Linux(R) ES (4.5 for EM64T)
- Red Hat(R) Enterprise Linux(R) AS (4.6 for x86)
- Red Hat(R) Enterprise Linux(R) ES (4.6 for x86)
- Red Hat(R) Enterprise Linux(R) AS (4.6 for EM64T)
- Red Hat(R) Enterprise Linux(R) ES (4.6 for EM64T)
- Red Hat(R) Enterprise Linux(R) AS (4.7 for x86)



- Red Hat(R) Enterprise Linux(R) ES (4.7 for x86)
- Red Hat(R) Enterprise Linux(R) AS (4.7 for EM64T)
- Red Hat(R) Enterprise Linux(R) ES (4.7 for EM64T)
- Red Hat(R) Enterprise Linux(R) AS (4.8 for x86)
- Red Hat(R) Enterprise Linux(R) ES (4.8 for x86)
- Red Hat(R) Enterprise Linux(R) AS (4.8 for EM64T)
- Red Hat(R) Enterprise Linux(R) ES (4.8 for EM64T)
- Red Hat(R) Enterprise Linux(R) 5.0 (for x86)
- Red Hat(R) Enterprise Linux(R) 5.0 (for Intel64)
- Red Hat(R) Enterprise Linux(R) 5.1 (for x86)
- Red Hat(R) Enterprise Linux(R) 5.1 (for Intel64)
- Red Hat(R) Enterprise Linux(R) 5.2 (for x86)
- Red Hat(R) Enterprise Linux(R) 5.2 (for Intel64)
- Red Hat(R) Enterprise Linux(R) 5.3 (for x86)
- Red Hat(R) Enterprise Linux(R) 5.3 (for Intel64)
- Red Hat(R) Enterprise Linux(R) 5.4 (for x86)
- Red Hat(R) Enterprise Linux(R) 5.4 (for Intel64)
- Red Hat(R) Enterprise Linux(R) 5.5 (for x86)
- Red Hat(R) Enterprise Linux(R) 5.5 (for Intel64)
- Red Hat(R) Enterprise Linux(R) 5.6 (for x86)
- Red Hat(R) Enterprise Linux(R) 5.6 (for Intel64)
- Red Hat(R) Enterprise Linux(R) 5.7 (for x86)
- Red Hat(R) Enterprise Linux(R) 5.7 (for Intel64)
- Red Hat(R) Enterprise Linux(R) 5.8 (for x86)
- Red Hat(R) Enterprise Linux(R) 5.8 (for Intel64)
- Red Hat(R) Enterprise Linux(R) 5.9 (for x86)
- Red Hat(R) Enterprise Linux(R) 5.9 (for Intel64)
- Red Hat(R) Enterprise Linux(R) 5.10 (for x86)
- Red Hat(R) Enterprise Linux(R) 5.10 (for Intel64)
- Red Hat(R) Enterprise Linux(R) 5.11 (for x86)
- Red Hat(R) Enterprise Linux(R) 5.11 (for Intel64)
- Red Hat(R) Enterprise Linux(R) 6.0 (for x86)
- Red Hat(R) Enterprise Linux(R) 6.0 (for Intel64)
- Red Hat(R) Enterprise Linux(R) 6.1 (for x86)
- Red Hat(R) Enterprise Linux(R) 6.1 (for Intel64)
- Red Hat(R) Enterprise Linux(R) 6.2 (for x86)
- Red Hat(R) Enterprise Linux(R) 6.2 (for Intel64)
- Red Hat(R) Enterprise Linux(R) 6.3 (for x86)

- Red Hat(R) Enterprise Linux(R) 6.3 (for Intel64)
- Red Hat(R) Enterprise Linux(R) 6.4 (for x86)
- Red Hat(R) Enterprise Linux(R) 6.4 (for Intel64)
- Red Hat(R) Enterprise Linux(R) 6.5 (for x86)
- Red Hat(R) Enterprise Linux(R) 6.5 (for Intel64)
- Red Hat(R) Enterprise Linux(R) 6.6 (for x86)
- Red Hat(R) Enterprise Linux(R) 6.6 (for Intel64)
- Red Hat(R) Enterprise Linux(R) 6.7 (for x86)
- Red Hat(R) Enterprise Linux(R) 6.7 (for Intel64)
- Red Hat(R) Enterprise Linux(R) 6.8 (for x86)
- Red Hat(R) Enterprise Linux(R) 6.8 (for Intel64)
- Red Hat(R) Enterprise Linux(R) 7.0 (for Intel64)
- SUSE(R) Linux Enterprise Server 10 Service Pack 2 for x86
- SUSE(R) Linux Enterprise Server 10 Service Pack 2 for EM64T
- SUSE(R) Linux Enterprise Server 10 Service Pack 3 for x86
- SUSE(R) Linux Enterprise Server 10 Service Pack 3 for EM64T
- SUSE(R) Linux Enterprise Server 11 for x86
- SUSE(R) Linux Enterprise Server 11 for EM64T
- SUSE(R) Linux Enterprise Server 11 Service Pack 1 for x86
- SUSE(R) Linux Enterprise Server 11 Service Pack 1 for EM64T
- Oracle Enterprise Linux Release 6.7 for x86 (32bit)
- Oracle Enterprise Linux Release 6.7 for 86\_64 (64bit)
- Oracle Enterprise Linux Release 7.2 for x86 (32bit)
- Oracle Enterprise Linux Release 7.2 for x86\_64 (64bit)

#### Red Hat Enterprise Linux

- Red Hat(R) Enterprise Linux(R) AS (v.4 for x86)
- Red Hat(R) Enterprise Linux(R) ES (v.4 for x86)
- Red Hat(R) Enterprise Linux(R) AS (v.4 for EM64T)
- Red Hat(R) Enterprise Linux(R) ES (v.4 for EM64T)
- Red Hat(R) Enterprise Linux(R) AS (4.5 for x86)
- Red Hat(R) Enterprise Linux(R) ES (4.5 for x86)
- Red Hat(R) Enterprise Linux(R) AS (4.5 for EM64T)
- Red Hat(R) Enterprise Linux(R) ES (4.5 for EM64T)
- Red Hat(R) Enterprise Linux(R) AS (4.6 for x86)
- Red Hat(R) Enterprise Linux(R) ES (4.6 for x86)
- Red Hat(R) Enterprise Linux(R) AS (4.6 for EM64T)
- Red Hat(R) Enterprise Linux(R) ES (4.6 for EM64T)
- Red Hat(R) Enterprise Linux(R) AS (4.7 for x86)

- Red Hat(R) Enterprise Linux(R) ES (4.7 for x86)
- Red Hat(R) Enterprise Linux(R) AS (4.7 for EM64T)
- Red Hat(R) Enterprise Linux(R) ES (4.7 for EM64T)
- Red Hat(R) Enterprise Linux(R) AS (4.8 for x86)
- Red Hat(R) Enterprise Linux(R) ES (4.8 for x86)
- Red Hat(R) Enterprise Linux(R) AS (4.8 for EM64T)
- Red Hat(R) Enterprise Linux(R) ES (4.8 for EM64T)
- Red Hat(R) Enterprise Linux(R) 5.0 (for x86)
- Red Hat(R) Enterprise Linux(R) 5.0 (for Intel64)
- Red Hat(R) Enterprise Linux(R) 5.1 (for x86)
- Red Hat(R) Enterprise Linux(R) 5.1 (for Intel64)
- Red Hat(R) Enterprise Linux(R) 5.2 (for x86)
- Red Hat(R) Enterprise Linux(R) 5.2 (for Intel64)
- Red Hat(R) Enterprise Linux(R) 5.3 (for x86)
- Red Hat(R) Enterprise Linux(R) 5.3 (for Intel64)
- Red Hat(R) Enterprise Linux(R) 5.4 (for x86)
- Red Hat(R) Enterprise Linux(R) 5.4 (for Intel64)
- Red Hat(R) Enterprise Linux(R) 5.5 (for x86)
- Red Hat(R) Enterprise Linux(R) 5.5 (for Intel64)
- Red Hat(R) Enterprise Linux(R) 5.6 (for x86)
- Red Hat(R) Enterprise Linux(R) 5.6 (for Intel64)
- Red Hat(R) Enterprise Linux(R) 5.7 (for x86)
- Red Hat(R) Enterprise Linux(R) 5.7 (for Intel64)
- Red Hat(R) Enterprise Linux(R) 5.8 (for x86)
- Red Hat(R) Enterprise Linux(R) 5.8 (for Intel64)
- Red Hat(R) Enterprise Linux(R) 5.9 (for x86)
- Red Hat(R) Enterprise Linux(R) 5.9 (for Intel64)
- Red Hat(R) Enterprise Linux(R) 5.10 (for x86)
- Red Hat(R) Enterprise Linux(R) 5.10 (for Intel64)
- Red Hat(R) Enterprise Linux(R) 5.11 (for x86)
- Red Hat(R) Enterprise Linux(R) 5.11 (for Intel64)
- Red Hat(R) Enterprise Linux(R) 6.0 (for x86)
- Red Hat(R) Enterprise Linux(R) 6.0 (for Intel64)
- Red Hat(R) Enterprise Linux(R) 6.1 (for x86)
- Red Hat(R) Enterprise Linux(R) 6.1 (for Intel64)
- Red Hat(R) Enterprise Linux(R) 6.2 (for x86)
- Red Hat(R) Enterprise Linux(R) 6.2 (for Intel64)
- Red Hat(R) Enterprise Linux(R) 6.3 (for x86)

- Red Hat(R) Enterprise Linux(R) 6.3 (for Intel64)
- Red Hat(R) Enterprise Linux(R) 6.4 (for x86)
- Red Hat(R) Enterprise Linux(R) 6.4 (for Intel64)
- Red Hat(R) Enterprise Linux(R) 6.5 (for x86)
- Red Hat(R) Enterprise Linux(R) 6.5 (for Intel64)
- Red Hat(R) Enterprise Linux(R) 6.6 (for x86)
- Red Hat(R) Enterprise Linux(R) 6.6 (for Intel64)
- Red Hat(R) Enterprise Linux(R) 6.7 (for x86)
- Red Hat(R) Enterprise Linux(R) 6.7 (for Intel64)
- Red Hat(R) Enterprise Linux(R) 6.8 (for x86)
- Red Hat(R) Enterprise Linux(R) 6.8 (for Intel64)
- Red Hat(R) Enterprise Linux(R) 7.0 (for Intel64)

#### Red Hat Enterprise Linux 5

- Red Hat(R) Enterprise Linux(R) 5.0 (for x86)
- Red Hat(R) Enterprise Linux(R) 5.0 (for Intel64)
- Red Hat(R) Enterprise Linux(R) 5.1 (for x86)
- Red Hat(R) Enterprise Linux(R) 5.1 (for Intel64)
- Red Hat(R) Enterprise Linux(R) 5.2 (for x86)
- Red Hat(R) Enterprise Linux(R) 5.2 (for Intel64)
- Red Hat(R) Enterprise Linux(R) 5.3 (for x86)
- Red Hat(R) Enterprise Linux(R) 5.3 (for Intel64)
- Red Hat(R) Enterprise Linux(R) 5.4 (for x86)
- Red Hat(R) Enterprise Linux(R) 5.4 (for Intel64)
- Red Hat(R) Enterprise Linux(R) 5.5 (for x86)
- Red Hat(R) Enterprise Linux(R) 5.5 (for Intel64)
- Red Hat(R) Enterprise Linux(R) 5.6 (for x86)
- Red Hat(R) Enterprise Linux(R) 5.6 (for Intel64)
- Red Hat(R) Enterprise Linux(R) 5.7 (for x86)
- Red Hat(R) Enterprise Linux(R) 5.7 (for Intel64)
- Red Hat(R) Enterprise Linux(R) 5.8 (for x86)
- Red Hat(R) Enterprise Linux(R) 5.8 (for Intel64)
- Red Hat(R) Enterprise Linux(R) 5.9 (for x86)
- Red Hat(R) Enterprise Linux(R) 5.9 (for Intel64)
- Red Hat(R) Enterprise Linux(R) 5.10 (for x86)
- Red Hat(R) Enterprise Linux(R) 5.10 (for Intel64)
- Red Hat(R) Enterprise Linux(R) 5.11 (for x86)
- Red Hat(R) Enterprise Linux(R) 5.11 (for Intel64)

#### Red Hat Enterprise Linux 6

- Red Hat(R) Enterprise Linux(R) 6.0 (for x86)
- Red Hat(R) Enterprise Linux(R) 6.0 (for Intel64)
- Red Hat(R) Enterprise Linux(R) 6.1 (for x86)
- Red Hat(R) Enterprise Linux(R) 6.1 (for Intel64)
- Red Hat(R) Enterprise Linux(R) 6.2 (for x86)
- Red Hat(R) Enterprise Linux(R) 6.2 (for Intel64)
- Red Hat(R) Enterprise Linux(R) 6.3 (for x86)
- Red Hat(R) Enterprise Linux(R) 6.3 (for Intel64)
- Red Hat(R) Enterprise Linux(R) 6.4 (for x86)
- Red Hat(R) Enterprise Linux(R) 6.4 (for Intel64)
- Red Hat(R) Enterprise Linux(R) 6.5 (for x86)
- Red Hat(R) Enterprise Linux(R) 6.5 (for Intel64)
- Red Hat(R) Enterprise Linux(R) 6.6 (for x86)
- Red Hat(R) Enterprise Linux(R) 6.6 (for Intel64)
- Red Hat(R) Enterprise Linux(R) 6.7 (for x86)
- Red Hat(R) Enterprise Linux(R) 6.7 (for Intel64)
- Red Hat(R) Enterprise Linux(R) 6.8 (for x86)
- Red Hat(R) Enterprise Linux(R) 6.8 (for Intel64)

#### Red Hat Enterprise Linux 7

- Red Hat(R) Enterprise Linux(R) 7.0 (for Intel64)

#### SUSE Linux Enterprise Server

- SUSE(R) Linux Enterprise Server 10 Service Pack 2 for x86
- SUSE(R) Linux Enterprise Server 10 Service Pack 2 for EM64T
- SUSE(R) Linux Enterprise Server 10 Service Pack 3 for x86
- SUSE(R) Linux Enterprise Server 10 Service Pack 3 for EM64T
- SUSE(R) Linux Enterprise Server 11 for x86
- SUSE(R) Linux Enterprise Server 11 for EM64T
- SUSE(R) Linux Enterprise Server 11 Service Pack 1 for x86
- SUSE(R) Linux Enterprise Server 11 Service Pack 1 for EM64T

#### Oracle Enterprise Linux

- Oracle Enterprise Linux Release 6.7 for x86 (32bit)
- Oracle Enterprise Linux Release 6.7 for 86\_64 (64bit)
- Oracle Enterprise Linux Release 7.2 for x86 (32bit)
- Oracle Enterprise Linux Release 7.2 for x86\_64 (64bit)

#### KVM

##### RHEL-KVM

- Red Hat(R) Enterprise Linux(R) 6.1 (for x86) Virtual Machine Function

- Red Hat(R) Enterprise Linux(R) 6.1 (for Intel64) Virtual Machine Function
- Red Hat(R) Enterprise Linux(R) 6.2 (for x86) Virtual Machine Function
- Red Hat(R) Enterprise Linux(R) 6.2 (for Intel64) Virtual Machine Function
- Red Hat(R) Enterprise Linux(R) 6.3 (for x86) Virtual Machine Function
- Red Hat(R) Enterprise Linux(R) 6.3 (for Intel64) Virtual Machine Function
- Red Hat(R) Enterprise Linux(R) 6.4 (for x86) Virtual Machine Function
- Red Hat(R) Enterprise Linux(R) 6.4 (for Intel64) Virtual Machine Function
- Red Hat(R) Enterprise Linux(R) 6.5 (for x86) Virtual Machine Function
- Red Hat(R) Enterprise Linux(R) 6.5 (for Intel64) Virtual Machine Function
- Red Hat(R) Enterprise Linux(R) 6.6 (for x86) Virtual Machine Function
- Red Hat(R) Enterprise Linux(R) 6.6 (for Intel64) Virtual Machine Function
- Red Hat(R) Enterprise Linux(R) 6.7 (for x86) Virtual Machine Function
- Red Hat(R) Enterprise Linux(R) 6.7 (for Intel64) Virtual Machine Function
- Red Hat(R) Enterprise Linux(R) 6.8 (for x86) Virtual Machine Function
- Red Hat(R) Enterprise Linux(R) 6.8 (for Intel64) Virtual Machine Function

## Xen

### RHEL5-Xen

- Red Hat(R) Enterprise Linux(R) 5.4 (for x86) Linux Virtual Machine Function
- Red Hat(R) Enterprise Linux(R) 5.4 (for Intel64) Linux Virtual Machine Function

### Xen

- Citrix XenServer(R) 5.5
- Citrix Essentials(TM) for XenServer 5.5, Enterprise Edition
- Citrix XenServer(R) 6.0
- Citrix Essentials(TM) for XenServer 6.0, Enterprise Edition
- Red Hat(R) Enterprise Linux(R) 5.3 (for x86) Linux Virtual Machine Function
- Red Hat(R) Enterprise Linux(R) 5.3 (for Intel64) Linux Virtual Machine Function
- Red Hat(R) Enterprise Linux(R) 5.4 (for x86) Linux Virtual Machine Function
- Red Hat(R) Enterprise Linux(R) 5.4 (for Intel64) Linux Virtual Machine Function
- Red Hat(R) Enterprise Linux(R) 5.5 (for x86) Linux Virtual Machine Function
- Red Hat(R) Enterprise Linux(R) 5.5 (for Intel64) Linux Virtual Machine Function
- Red Hat(R) Enterprise Linux(R) 5.6 (for x86) Linux Virtual Machine Function
- Red Hat(R) Enterprise Linux(R) 5.6 (for Intel64) Linux Virtual Machine Function
- Red Hat(R) Enterprise Linux(R) 5.7 (for x86) Linux Virtual Machine Function
- Red Hat(R) Enterprise Linux(R) 5.7 (for Intel64) Linux Virtual Machine Function
- Red Hat(R) Enterprise Linux(R) 5.8 (for x86) Linux Virtual Machine Function
- Red Hat(R) Enterprise Linux(R) 5.8 (for Intel64) Linux Virtual Machine Function
- Red Hat(R) Enterprise Linux(R) 5.9 (for x86) Linux Virtual Machine Function

- Red Hat(R) Enterprise Linux(R) 5.9 (for Intel64) Linux Virtual Machine Function
- Red Hat(R) Enterprise Linux(R) 5.10 (for x86) Linux Virtual Machine Function
- Red Hat(R) Enterprise Linux(R) 5.10 (for Intel64) Linux Virtual Machine Function
- Red Hat(R) Enterprise Linux(R) 5.11 (for x86) Linux Virtual Machine Function
- Red Hat(R) Enterprise Linux(R) 5.11 (for Intel64) Linux Virtual Machine Function

## Citrix

### Citrix XenServer

- Citrix XenServer(R) 6.0
- Citrix XenServer(R) 6.0.2
- Citrix XenServer(R) 6.1.0
- Citrix XenServer(R) 6.2.0
- Citrix XenServer(R) 7.1 LTSR
- Citrix XenServer(R) 7.2

### XenServer 6

- Citrix XenServer(R) 6.0
- Citrix Essentials(TM) for XenServer 6.0, Enterprise Edition

### Citrix XenApp

- Citrix XenApp(R)

### Citrix XenDesktop

- Citrix XenDesktop(R)

## Oracle Solaris

### Solaris

- Oracle Solaris 10 05/09 (Update7)
- Oracle Solaris 11 11/11
- Oracle Solaris 11.1
- Oracle Solaris 11.2
- Oracle Solaris 11.3

## Oracle VM

### OVM for x86 2.2

- Oracle(R) VM Server for x86 2.2

### OVM for x86 3.x

#### OVM for x86 3.2

- Oracle VM Server for x86 v3.2.x

#### OVM for x86 3.3

- Oracle VM Server for x86 v3.3.x

### OVM for SPARC

- Oracle(R) VM Server for SPARC

#### Oracle VM Manager

- Oracle(R) VM Manager

#### EMC

##### Navisphere

- EMC Navisphere Manager

##### Solutions Enabler

- EMC Solutions Enabler

#### VMware

##### VMware vSphere or vSphere

- VMware vSphere(R) 4
- VMware vSphere(R) 4.1
- VMware vSphere(R) 5
- VMware vSphere(R) 5.1
- VMware vSphere(R) 5.5
- VMware vSphere(R) 6
- VMware vSphere(R) 6.5

##### VMware ESX

- VMware(R) ESX(R)

##### VMware ESX 4

- VMware(R) ESX(R) 4

##### VMware ESXi

- VMware(R) ESXi(TM)

##### VMware ESXi 5.0

- VMware(R) ESXi(TM) 5.0

##### VMware ESXi 5.1

- VMware(R) ESXi(TM) 5.1

##### VMware ESXi 5.5

- VMware(R) ESXi(TM) 5.5

##### VMware ESXi 6.0

- VMware(R) ESXi(TM) 6.0

##### VMware ESXi 6.5

- VMware(R) ESXi(TM) 6.5

##### VMware Infrastructure Client

- VMware(R) Infrastructure Client

##### VMware Tools

- VMware(R) Tools



VMware vSphere 4.0 or vSphere 4.0

- VMware vSphere(R) 4.0

VMware vSphere 4.1 or vSphere 4.1

- VMware vSphere(R) 4.1

VMware vSphere 5 or vSphere 5

- VMware vSphere(R) 5

VMware vSphere 5.1 or vSphere 5.1

- VMware vSphere(R) 5.1

VMware vSphere 5.5 or vSphere 5.5

- VMware vSphere(R) 5.5

VMware vSphere 6.0 or vSphere 6.0

- VMware vSphere(R) 6.0

VMware vSphere 6.5 or vSphere 6.5

- VMware vSphere(R) 6.5

VMware vSphere Client or vSphere Client

- VMware vSphere(R) Client

VMware vCenter Server or vCenter Server

- VMware(R) vCenter(TM) Server

VMware vCenter Server Appliance or vCenter Server Appliance

- VMware(R) vCenter(TM) Server Appliance(TM)

VMware vClient

- VMware(R) vClient(TM)

VMware FT

- VMware(R) Fault Tolerance

VMware DRS

- VMware(R) Distributed Resource Scheduler

VMware DPM

- VMware(R) Distributed Power Management

VMware Storage VMotion

- VMware(R) Storage VMotion

VMware vDS

- VMware(R) vNetwork Distributed Switch

VMware Horizon View

- VMware Horizon View 5.2.x
- VMware Horizon View 5.3.x
- VMware Horizon 6.0 (with View)

VMware VSAN or VSAN

- VMware(R) Virtual SAN(TM)

#### VMware vSphere Web Client or vSphere Web Client

- VMware vSphere(R) Web Client

#### VMware NSX

- VMware NSX(R)
- VMware NSX(R) for vSphere(R)
- VMware NSX(R) for vSphere(R) 6.3

#### VMware NSX Controller or NSX Controller

- VMware NSX(R) Controller(TM)

#### VMware NSX Edge or NSX Edge

- VMware NSX(R) Edge(TM)

#### VMware NSX Manager or NSX Manager

- VMware NSX(R) Manager(TM)

#### Excel

##### Excel

- Microsoft(R) Office Excel(R) 2007
- Microsoft(R) Office Excel(R) 2010
- Microsoft(R) Office Excel(R) 2013

##### Excel 2007

- Microsoft(R) Office Excel(R) 2007

##### Excel 2010

- Microsoft(R) Office Excel(R) 2010

##### Excel 2013

- Microsoft(R) Office Excel(R) 2013

#### Browsers

##### Internet Explorer

- Windows(R) Internet Explorer(R) 9
- Windows(R) Internet Explorer(R) 10
- Internet Explorer(R) 11

##### Firefox

- Firefox(R)

#### Antivirus Software

##### OfficeScan

- Trend Micro OfficeScan

##### McAfee ePolicy Orchestrator

- McAfee(R) ePolicy Orchestrator(R)

## McAfee ePO

- McAfee(R) ePolicy Orchestrator(R)

## McAfee Agent

- McAfee(R) Agent

## McAfee Endpoint Security

- McAfee(R) Endpoint Security

## Symantec Endpoint Protection

- Symantec(TM) Endpoint Protection

## Symantec Endpoint Protection Manager

- Symantec(TM) Endpoint Protection Manager

## BMC

### BladeLogic

- BMC BladeLogic Server Automation

## ETERNUS

### ESC

- ETERNUS SF Storage Cruiser

## ServerView

### ServerView Agent

- ServerView SNMP Agents for MS Windows (32bit-64bit)
- ServerView Agents Linux
- ServerView Agents VMware for VMware ESX Server

### VIOM

- ServerView Virtual-IO Manager

### ISM

- ServerView Infrastructure Manager

### SVOM

- ServerView Operations Manager

### SVFAB

- ServerView Fabric Manager

### RCVE

- ServerView Resource Coordinator VE

### ROR

- FUJITSU Software ServerView Resource Orchestrator

### ROR VE

- FUJITSU Software ServerView Resource Orchestrator Virtual Edition

## ROR CE

- FUJITSU Software ServerView Resource Orchestrator Cloud Edition

## Resource Coordinator

- Systemwalker Resource Coordinator
- Systemwalker Resource Coordinator Virtual server Edition

## Resource Coordinator VE

- ServerView Resource Coordinator VE
- Systemwalker Resource Coordinator Virtual server Edition

## Resource Orchestrator

- FUJITSU Software ServerView Resource Orchestrator

## Export Administration Regulation Declaration

Exportation/release of this document may require necessary procedures in accordance with the regulations of your resident country and/or US export control laws.

## Trademark Information

- BMC, BMC Software, and the BMC Software logo are the exclusive properties of BMC Software, Inc., are registered with the U.S. Patent and Trademark Office, and may be registered or pending registration in other countries.
- Citrix(R), Citrix XenApp(R), Citrix XenDesktop(R), Citrix XenServer(R), and Citrix Essentials(TM) are trademarks of Citrix Systems, Inc. and/or one of its subsidiaries, and may be registered in the United States Patent and Trademark Office and in other countries.
- EMC, EMC<sup>2</sup>, CLARiiON, Symmetrix, and Navisphere are trademarks or registered trademarks of EMC Corporation.
- HP is a registered trademark of Hewlett-Packard Company.
- Linux is a trademark or registered trademark of Linus Torvalds in the United States and other countries.
- McAfee and the McAfee logo, ePolicy Orchestrator, and McAfee ePO are trademarks or registered trademarks of McAfee, LLC or its subsidiaries in the United States and other countries.
- Microsoft, Windows, MS-DOS, Windows Server, Windows Vista, Excel, Active Directory, and Internet Explorer are either registered trademarks or trademarks of Microsoft Corporation in the United States and other countries.
- Firefox is a trademark or registered trademark of the Mozilla Foundation in the United States and other countries.
- NetApp is a registered trademark of Network Appliance, Inc. in the US and other countries. Data ONTAP, Network Appliance, and Snapshot are trademarks of Network Appliance, Inc. in the US and other countries.
- Oracle and Java are registered trademarks of Oracle and/or its affiliates.
- Red Hat, RPM and all Red Hat-based trademarks and logos are trademarks or registered trademarks of Red Hat, Inc. in the United States and other countries.
- SUSE and the SUSE logo are trademarks of SUSE IP Development Limited or its subsidiaries or affiliates.
- Symantec and the Symantec logo are trademarks or registered trademarks of the Symantec Corporation or its subsidiaries in the United States and other countries.
- TREND MICRO, OfficeScan are registered trademarks of Trend Micro, Inc.
- VMware, the VMware "boxes" logo and design, Virtual SMP, and VMotion are registered trademarks or trademarks of VMware, Inc. in the United States and/or other jurisdictions.
- ServerView and Systemwalker are registered trademarks of FUJITSU LIMITED.

- All other brand and product names are trademarks or registered trademarks of their respective owners.

## Notices

- The contents of this manual shall not be reproduced without express written permission from FUJITSU LIMITED.
- The contents of this manual are subject to change without notice.

## Revision History

| Month/Year Issued, Edition   | Manual Code          |
|------------------------------|----------------------|
| July 2012, First Edition     | J2X1-7673-01ENZ0(00) |
| October 2012, Second Edition | J2X1-7673-02ENZ0(00) |
| December 2012, Third Edition | J2X1-7673-03ENZ0(00) |
| January 2013, Fourth Edition | J2X1-7673-04ENZ0(00) |
| January 2013, Edition 4.1    | J2X1-7673-04ENZ0(01) |
| January 2013, Edition 4.2    | J2X1-7673-04ENZ0(02) |
| March 2013, Edition 4.3      | J2X1-7673-04ENZ0(03) |
| June 2013, Edition 4.4       | J2X1-7673-04ENZ0(04) |
| August 2013, Edition 4.5     | J2X1-7673-04ENZ0(05) |
| December 2013, Fifth Edition | J2X1-7673-05ENZ0(00) |
| December 2013, Edition 5.1   | J2X1-7673-05ENZ0(01) |
| February 2014, Edition 5.2   | J2X1-7673-05ENZ0(02) |
| February 2014, Edition 5.3   | J2X1-7673-05ENZ0(03) |
| April 2014, Edition 5.4      | J2X1-7673-05ENZ0(04) |
| April 2014, Edition 5.5      | J2X1-7673-05ENZ0(05) |
| June 2014, Edition 5.6       | J2X1-7673-05ENZ0(06) |
| April 2015, Sixth Edition    | J2X1-7673-06ENZ0(00) |
| July 2015, Edition 6.1       | J2X1-7673-06ENZ0(01) |
| August 2015, Edition 6.2     | J2X1-7673-06ENZ0(02) |
| September 2015, Edition 6.3  | J2X1-7673-06ENZ0(03) |
| December 2015, Edition 6.4   | J2X1-7673-06ENZ0(04) |
| January 2016, Edition 6.5    | J2X1-7673-06ENZ0(05) |
| June 2016, Edition 6.6       | J2X1-7673-06ENZ0(06) |
| September 2016, Edition 6.7  | J2X1-7673-06ENZ0(07) |
| October 2016, Edition 6.8    | J2X1-7673-06ENZ0(08) |
| November 2016, Edition 6.9   | J2X1-7673-06ENZ0(09) |
| December 2016, Edition 6.10  | J2X1-7673-06ENZ0(10) |
| February 2017, Edition 6.11  | J2X1-7673-06ENZ0(11) |
| April 2017, Seventh Edition  | J2X1-7673-07ENZ0(00) |
| May 2017, Edition 7.1        | J2X1-7673-07ENZ0(01) |
| August 2017, Edition 7.2     | J2X1-7673-07ENZ0(02) |

| Month/Year Issued, Edition  | Manual Code          |
|-----------------------------|----------------------|
| September 2017, Edition 7.3 | J2X1-7673-07ENZ0(03) |
| December 2017, Edition 7.4  | J2X1-7673-07ENZ0(04) |
| February 2018, Edition 7.5  | J2X1-7673-07ENZ0(05) |
| March 2018, Edition 7.6     | J2X1-7673-07ENZ0(06) |

## Copyright

Copyright 2010-2018 FUJITSU LIMITED

# Contents

---

|  |    |
|--|----|
| Chapter 1 Documentation Road Map.....  | 1  |
| Chapter 2 Overview.....  | 2  |
| 2.1 Features.....  | 2  |
| 2.2 Resource Orchestrator User Roles and the Functions Available to Each User..... | 2  |
| 2.2.1 Resource Management.....   | 4  |
| 2.2.2 Resource Pools.....  | 9  |
| 2.2.3 L-Server.....  | 9  |
| 2.2.4 L-Platform.....  | 14 |
| 2.2.5 Templates.....   | 15 |
| 2.2.6 Resource Visualization.....  | 16 |
| 2.2.7 Simplifying Networks.....  | 16 |
| 2.2.7.1 Timing of Automatic Network Settings.....                                  | 17 |
| 2.2.7.2 Scope of Automatic Network Settings.....                                   | 20 |
| 2.2.7.3 Hiding Network Information.....  | 22 |
| 2.2.7.4 Network Device Automatic Configuration.....                                | 23 |
| 2.2.7.5 Network Device Configuration File Management.....                          | 25 |
| 2.2.7.6 Simple Network Monitoring.....   | 26 |
| 2.2.8 Simplifying Storage.....   | 27 |
| 2.2.9 I/O Virtualization.....  | 29 |
| 2.2.10 Tenant.....   | 29 |
| 2.2.11 High Availability of Managed Resources.....                                 | 30 |
| 2.2.12 Disaster Recovery.....  | 31 |
| 2.3 Functional Differences Depending on Product.....                               | 31 |
| 2.4 Software Environment.....  | 31 |
| 2.5 Hardware Environment.....  | 31 |
| 2.6 System Configuration.....  | 31 |
| Chapter 3 Flow of Resource Orchestrator Design and Preconfiguration.....           | 32 |
| Chapter 4 System Configuration Design.....   | 35 |
| Chapter 5 Defining User Accounts.....  | 41 |
| 5.1 Restricting Access Using Roles.....  | 42 |
| 5.1.1 Overview.....  | 42 |
| 5.1.2 Roles and Available Operations.....  | 45 |
| 5.1.3 Customizing Roles.....   | 50 |
| Chapter 6 Defining Tenants and Resource Pools.....                                 | 54 |
| 6.1 Overview of Tenants.....   | 54 |
| 6.2 Tenant Operation.....  | 55 |
| 6.3 Global Pool and Local Pool Selection Policy.....                               | 59 |
| 6.4 Resource Pool Types.....   | 60 |
| 6.5 Subdividing Resource Pools.....  | 61 |
| 6.6 Concept for Separating Tenants by Resource Pool.....                           | 61 |
| 6.6.1 Server Pool.....   | 61 |
| 6.6.2 VM Pool.....   | 61 |
| 6.6.3 Storage Pool.....  | 61 |
| 6.6.4 Network Pool.....  | 62 |
| 6.6.5 Address Pool.....  | 62 |
| 6.6.6 Image Pool.....  | 63 |
| Chapter 7 Defining High Availability and Disaster Recovery.....                    | 64 |
| 7.1 Blade Chassis High Availability Design.....                                    | 64 |
| 7.2 Storage Chassis High Availability Design.....                                  | 65 |
| 7.3 Admin Server High Availability Design.....                                     | 66 |

|  |     |
|--|-----|
| Chapter 8 Defining and Configuring the Server Environment.....   | 69  |
| 8.1 Defining the Server Environment.....   | 69  |
| 8.1.1 Settings for Blade Servers.....  | 69  |
| 8.1.2 Settings for Rack Mount and Tower Servers.....   | 70  |
| 8.1.3 Settings for PRIMEQUEST.....   | 71  |
| 8.1.4 Setting Values for SPARC Enterprise (M3000/T5120/T5140/T5220/T5240/T5440) and SPARC M10-1/M10-4/M12-1/M12-2..... | 72  |
| 8.1.5 Setting Values for SPARC Enterprise M4000/M5000/M8000/M9000 and SPARC M10-4S/M12-2S.....                         | 73  |
| 8.1.6 Settings when Switching Over SPARC M10/M12 or SPARC Enterprise Servers.....                                      | 75  |
| 8.2 Configuring the Server Environment.....  | 76  |
| 8.2.1 Configuring Blade Servers.....   | 77  |
| 8.2.2 Configuring Rack Mount and Tower Servers.....  | 77  |
| 8.2.3 Configuring PRIMEQUEST.....  | 78  |
| 8.2.4 Configuring SPARC Enterprise M3000 and SPARC M10-1/M10-4/M12-1/M12-2.....  | 78  |
| 8.2.5 Configuring SPARC Enterprise M4000/M5000/M8000/M9000 and SPARC M10-4S/M12-2S.....                                | 79  |
| 8.2.6 Configuring SPARC Enterprise T5120/T5140/T5220/T5240/T5440.....  | 79  |
| 8.2.7 Configuring BIOS Settings of Managed Servers.....  | 80  |
| 8.2.8 Configuring OS Settings of Managed Servers.....  | 82  |
| 8.2.9 Configuring OBP (Open Boot Prom) Settings (SPARC M10/M12 and SPARC Enterprise).....                              | 82  |
| 8.2.10 Configuring ServerView Operations Manager (VMware ESXi).....  | 83  |
| Chapter 9 Defining and Configuring the Network Environment.....  | 84  |
| 9.1 Defining the Network Environment.....  | 84  |
| 9.1.1 Admin LAN Network Design.....  | 85  |
| 9.1.1.1 Information Necessary for Design.....  | 86  |
| 9.1.1.2 Admin LAN for Servers.....   | 86  |
| 9.1.1.3 Admin LAN for Network Devices.....   | 88  |
| 9.1.1.4 Safer Communication.....   | 88  |
| 9.1.1.5 Required Network Configuration when Using HBA address rename.....  | 89  |
| 9.1.2 Virtual System Design.....   | 90  |
| 9.1.2.1 Information Necessary for Design.....  | 90  |
| 9.1.3 Physical Network Design for the Public LAN and iSCSI LAN.....  | 93  |
| 9.1.3.1 Information Necessary for Designing a Public LAN.....  | 93  |
| 9.1.3.2 Information Necessary for Designing an iSCSI LAN.....  | 95  |
| 9.1.4 Relationship between Physical Network Configuration and Resources.....   | 97  |
| 9.2 Defining Configuration Settings for Devices.....   | 100 |
| 9.2.1 Settings for the Admin Server.....   | 101 |
| 9.2.2 Settings for Admin Clients.....  | 101 |
| 9.2.3 Settings for Managed Network Devices.....  | 101 |
| 9.2.3.1 Settings for Management.....   | 101 |
| 9.2.3.2 Settings for Pre-configuration.....  | 102 |
| 9.2.3.3 Settings for Automatically Configured Devices.....   | 104 |
| 9.2.4 Settings for Unmanaged Network Devices.....  | 105 |
| 9.2.4.1 Public LAN Pre-configuration Settings.....   | 106 |
| 9.2.4.2 Admin LAN Settings.....  | 107 |
| 9.2.5 Settings for Managed Servers.....  | 108 |
| 9.2.6 Settings for LAN Switch Blades on Managed Blade Systems.....   | 109 |
| 9.2.7 Network Settings for Managed Storage Units.....  | 109 |
| 9.2.8 Network Settings for Other Managed Hardware.....   | 110 |
| 9.3 Pre-configuring Devices.....   | 110 |
| 9.3.1 Pre-configuring Admin Servers.....   | 110 |
| 9.3.2 Pre-configuring Admin Clients.....   | 110 |
| 9.3.3 Pre-configuring Managed Network Devices.....   | 110 |
| 9.3.4 Pre-configuring Unmanaged Network Devices.....   | 112 |
| 9.3.5 Pre-configuring Managed Servers.....   | 112 |
| 9.3.6 Pre-configuring LAN Switch Blades on Managed Blade Systems.....  | 112 |
| 9.3.7 Pre-configuring Networks for Managed Storage Devices.....  | 118 |



|   |            |
|---|------------|
| 9.3.8 Pre-configuring Networks for Other Managed Hardware.....  | 119        |
| 9.3.9 Pre-configuration for Making iSCSI LAN Usable.....  | 119        |
| 9.4 Preparations for Resource Orchestrator Network Environments.....  | 119        |
| 9.4.1 When Automatically Configuring the Network.....   | 120        |
| 9.4.1.1 Automatic VLAN Configuration for LAN Switch Blades (Physical/Virtual L-Servers).....                    | 120        |
| 9.4.1.2 Network Configuration for Blade Servers (Physical/Virtual L-Servers).....                               | 122        |
| 9.4.1.3 Network Configuration for Rack Mount or Tower Servers (Physical/Virtual L-Servers).....                 | 126        |
| 9.4.1.4 IP Address Auto-Configuration (Virtual L-Servers).....  | 128        |
| 9.4.1.5 Automatic Configuration for L2 Switches.....  | 129        |
| 9.4.1.6 Available Network Configurations.....   | 129        |
| 9.4.1.7 Network Settings for Physical L-Servers.....  | 131        |
| 9.4.1.8 Modifying Network Resource Specifications.....  | 132        |
| 9.4.1.9 Automatic Network Configuration for Ethernet Fabric Switches (Converged Fabric).....                    | 132        |
| 9.4.2 When Using IBP.....   | 134        |
| 9.4.3 When Using an iSCSI LAN for iSCSI Boot.....   | 135        |
| 9.4.4 When Using Link Aggregation.....  | 136        |
| 9.4.5 When Using NICs other than Those in the Default Configuration of the Automatic Network Configuration..... | 136        |
| 9.4.6 When Using Automatic Virtual Switch Configuration on Rack Mount or Tower Servers.....                     | 136        |
| 9.4.7 When Deploying L-Servers even if the Service Console and Port Group are the Same.....                     | 136        |
| 9.4.8 When Managing Network Devices as Resources.....   | 136        |
| 9.4.8.1 When Creating Network Configuration Information (XML Definition).....                                   | 137        |
| 9.4.8.2 When Using the Network Device File Management Function.....   | 144        |
| 9.4.8.3 When Modifying the Values of Network Device Configuration Files.....                                    | 147        |
| 9.4.8.4 When Using Port Profile Configuration Files.....  | 148        |
| 9.4.9 When Automatically Configuring and Operating Network Devices.....   | 149        |
| 9.4.9.1 When Automatically Configuring and Operating Network Devices Using User Customization Mode.....         | 149        |
| 9.4.9.2 When Automatically Configuring and Operating Network Devices Using Simple Configuration Mode.....       | 150        |
| 9.4.10 When Visualizing Networks Using Network Viewer.....  | 150        |
| 9.4.10.1 When Displaying Link Information of Network Devices Using a Physical Map.....                          | 150        |
| 9.4.10.2 When Linking Resources on the Physical Map and the Logical Map.....                                    | 150        |
| 9.5 When Providing an IPv6 Network for Public LANs.....   | 151        |
| <b>Chapter 10 Deciding and Configuring the Storage Environment.....</b>   | <b>153</b> |
| 10.1 Deciding the Storage Environment.....  | 153        |
| 10.1.1 Allocating Storage.....  | 153        |
| 10.1.2 Storage Configuration.....   | 157        |
| 10.1.3 HBA and Storage Device Settings.....   | 158        |
| 10.1.4 iSCSI Interface and Storage Device Settings (iSCSI).....   | 160        |
| 10.2 Configuring the Storage Environment.....   | 162        |
| <b>Chapter 11 Deciding and Configuring Server Virtualization Software.....</b>                                  | <b>164</b> |
| 11.1 Deciding Server Virtualization Software.....   | 164        |
| 11.2 Configuring Server Virtualization Software.....  | 175        |
| 11.2.1 Configuration Requirements.....  | 175        |
| 11.2.2 Functional Differences between Products.....   | 176        |
| <b>Chapter 12 Configuring Single Sign-On.....</b>   | <b>183</b> |
| 12.1 Deciding the Directory Service to Use.....   | 183        |
| 12.2 Setting Up ServerView Operations Manager and the Directory Service Environment.....                        | 183        |
| 12.2.1 Coordination with the User Registration Directory Service.....   | 183        |
| 12.2.2 To Use a User already Registered with Active Directory as a Resource Orchestrator User.....              | 185        |
| 12.2.3 Single Sign-On When Using the ServerView Operations Manager Console.....                                 | 186        |
| 12.2.4 When Installing ServerView Operations Manager Again.....   | 188        |
| 12.3 Registering Administrators.....  | 188        |
| <b>Chapter 13 Deciding and Configuring the Power Monitoring Environment.....</b>                                | <b>191</b> |
| 13.1 Deciding the Power Monitoring Environment.....   | 191        |
| 13.1.1 Settings for the Power Monitoring Environment.....   | 191        |

|   |     |
|---|-----|
| 13.1.2 Power Monitoring Device Settings.....                                  | 191 |
| 13.2 Configuring the Power Monitoring Environment.....                        | 192 |
| Appendix A Port List.....   | 193 |
| Appendix B HTTPS Communications.....  | 214 |
| Appendix C Hardware Configuration.....  | 219 |
| C.1 Connections between Server Network Interfaces and L2 Switch Ports.....    | 219 |
| C.2 WWN Allocation Order during HBA address rename Configuration.....         | 220 |
| C.3 Using Link Aggregation.....   | 221 |
| C.3.1 Configuration of Link Aggregation and a Server.....                     | 221 |
| C.3.2 Preparations.....   | 222 |
| C.3.3 Operating Resource Orchestrator.....                                    | 226 |
| Appendix D Preparations for Creating a Physical L-Server.....                 | 227 |
| D.1 System Configuration.....   | 227 |
| D.2 Preparations for Servers.....   | 236 |
| D.3 Storage Preparations.....   | 237 |
| D.3.1 Deciding the Storage Environment.....                                   | 238 |
| D.3.2 Preparations for Storage Environments.....                              | 239 |
| D.3.3 When Using ETERNUS Storage.....   | 240 |
| D.3.4 When Using NetApp FAS Storage.....                                      | 241 |
| D.3.5 When Using EMC CLARiiON Storage or EMC VNX Storage.....                 | 244 |
| D.3.6 When Using EMC Symmetrix DMX Storage or EMC Symmetrix VMAX Storage..... | 247 |
| D.3.7 When Using Storage Server on which FalconStor NSS Operates.....         | 250 |
| D.4 Network Preparations.....   | 252 |
| Appendix E Preparations for Creating a Virtual L-Server.....                  | 255 |
| E.1 VMware.....   | 255 |
| E.1.1 System Configuration.....   | 255 |
| E.1.2 Preparations for Servers.....   | 259 |
| E.1.3 Storage Preparations.....   | 263 |
| E.1.4 Network Preparations.....   | 264 |
| E.2 Hyper-V.....  | 268 |
| E.2.1 System Configuration.....   | 268 |
| E.2.2 Preparations for Servers.....   | 275 |
| E.2.3 Storage Preparations.....   | 275 |
| E.2.4 Network Preparations.....   | 276 |
| E.2.5 Pre-setup Preparations in Hyper-V Environments.....                     | 277 |
| E.3 RHEL5-Xen.....  | 282 |
| E.3.1 System Configuration.....   | 282 |
| E.3.2 Preparations for Servers.....   | 284 |
| E.3.3 Storage Preparations.....   | 284 |
| E.3.4 Network Preparations.....   | 285 |
| E.4 OVM for x86 2.2.....  | 285 |
| E.4.1 System Configuration.....   | 286 |
| E.4.2 Preparations for Servers.....   | 287 |
| E.4.3 Storage Preparations.....   | 287 |
| E.4.4 Network Preparations.....   | 288 |
| E.5 RHEL-KVM.....   | 288 |
| E.5.1 System Configuration.....   | 288 |
| E.5.2 Preparations for Servers.....   | 293 |
| E.5.3 Storage Preparations (SAN Configurations).....                          | 296 |
| E.5.4 Storage Preparations (NAS Configurations).....                          | 297 |
| E.5.5 Network Preparations.....   | 303 |
| E.6 Solaris Zones.....  | 304 |
| E.6.1 System Configuration.....   | 305 |

|   |     |
|---|-----|
| E.6.2 Preparations for Servers.....   | 309 |
| E.6.3 Storage Preparations.....   | 311 |
| E.6.4 Network Preparations.....   | 312 |
| E.7 OVM for SPARC.....  | 313 |
| E.7.1 System Configuration.....   | 313 |
| E.7.2 Preparations for Servers.....   | 316 |
| E.7.3 Storage Preparations.....   | 318 |
| E.7.4 Network Preparations.....   | 319 |
| E.8 Citrix XenServer.....   | 319 |
| E.8.1 System Configuration.....   | 319 |
| E.8.2 Preparations for Servers.....   | 322 |
| E.8.3 Storage Preparations.....   | 323 |
| E.8.4 Network Preparations.....   | 324 |
| E.9 OVM for x86 3.x.....  | 324 |
| E.9.1 System Configuration.....   | 324 |
| E.9.2 Preparations for Servers.....   | 327 |
| E.9.3 Storage Preparations.....   | 328 |
| E.9.4 Preparations for the Network Environment.....   | 329 |
| Appendix F Preparing for Automatic Configuration and Operation of Network Devices.....  | 330 |
| F.1 Creating Model Definitions for Network Devices.....   | 330 |
| F.2 Configuring the Execution Environment.....  | 330 |
| F.2.1 When Connecting to Network Devices with SSH.....  | 331 |
| F.2.2 When Using a Script Language other than Ruby.....   | 331 |
| F.2.3 When a Large Amount of Data is Output due to Execution of a Ruleset for Operations.....   | 331 |
| F.3 Creating a Folder for Registering Rulesets.....   | 331 |
| F.3.1 Folders for L-Platform Templates (Automatic Configuration).....   | 332 |
| F.3.2 Folders for Network Resources.....  | 332 |
| F.3.3 Common Information of Rulesets.....   | 333 |
| F.3.4 Folders for L-Platform Templates (Operations).....  | 333 |
| F.4 Basic Script Structure.....   | 334 |
| F.4.1 Function and Attributes of Each File.....   | 338 |
| F.4.2 Location of Each File.....  | 340 |
| F.5 Timing of Ruleset Execution.....  | 341 |
| F.6 File Components of Rulesets.....  | 342 |
| F.6.1 Script List Files.....  | 342 |
| F.6.2 Script Files.....   | 345 |
| F.6.3 Command Files.....  | 355 |
| F.6.4 Parameter Files.....  | 356 |
| F.6.5 Interface Configuration Files.....  | 356 |
| F.6.6 Script Operation Pre-checks.....  | 356 |
| F.7 Network Device Automatic Configuration and Operation Definition Files.....  | 357 |
| F.7.1 Storage Location of the Definition File.....  | 357 |
| F.7.2 Definition File Name.....   | 358 |
| F.7.3 Definition File Format.....   | 358 |
| Appendix G Sample Script for Automatic Configuration and Operation of Network Devices.....  | 360 |
| G.1 Sample List.....  | 360 |
| G.2 Relationship Between Logical Network Configurations and Sample Scripts.....   | 362 |
| G.2.1 Rulesets Usable for Automatic Configuration of Logical Network Configurations Including both Firewalls and Server Load Balancers..... | 363 |
| G.2.2 Rulesets for Automatic Configuration of Logical Network Configurations Including only Firewalls.....                                  | 364 |
| G.2.3 Rulesets for Automatic Configuration of Logical Network Configurations Including only Server Load Balancers.....                      | 365 |
| G.2.4 Rulesets for Automatic Configuration of any Logical Network Configurations.....   | 365 |
| G.2.5 Rulesets for Operating Server Load Balancers.....   | 366 |
| G.3 Sample Scripts (For Automatic Configuration).....   | 367 |
| G.3.1 Preparations for Using Sample Scripts.....  | 370 |
| G.3.2 Types of Sample Scripts.....  | 371 |

|  |     |
|--|-----|
| G.3.3 For Deploying Firewalls (IPCOM EX Series).....   | 371 |
| G.3.4 For Deploying Firewalls (IPCOM VA Series).....   | 374 |
| G.3.5 For Deploying Firewalls (NS Appliance).....  | 376 |
| G.3.6 For Deploying Firewalls (ASA 5500 Series).....   | 377 |
| G.3.7 For Deploying Firewalls and Server Load Balancers (IPCOM EX IN series).....                                    | 378 |
| G.3.8 For Deployment of Firewalls and Server Load Balancers (for IPCOM VA LS series).....                            | 381 |
| G.3.9 For Deploying Firewalls and Server Load Balancers (NS Appliance).....  | 382 |
| G.3.10 For Deploying Firewalls or Server Load Balancers (Combinations of ASA 5500 Series and BIG-IP LTM Series)..... | 384 |
| G.3.11 For Deploying Server Load Balancers (BIG-IP LTM Series).....  | 386 |
| G.3.12 For Deploying L2 Switches.....  | 387 |
| G.3.13 Conditions of Using Sample Scripts.....   | 397 |
| G.4 Sample Scripts (For Operation).....  | 398 |
| G.4.1 Preparations for Using Sample Scripts.....   | 399 |
| G.4.2 Prerequisites for Executing Sample Scripts for Operations.....   | 399 |
| G.4.3 For Operation of Server Load Balancers.....  | 399 |
| G.5 Sample Script Files.....   | 401 |
| G.5.1 Script List Files.....   | 401 |
| G.5.2 Script Files.....  | 402 |
| G.5.3 Command Files.....   | 403 |
| G.5.4 Interface Configuration Files.....   | 405 |
| G.5.5 Log Files of Sample Scripts.....   | 406 |
| Appendix H Ethernet Fabric Devices.....  | 408 |
| H.1 Fujitsu PRIMERGY Converged Fabric Switch Blade (10 Gbps 18/8+2) and Fujitsu Converged Fabric Switch.....         | 408 |
| H.1.1 Management Unit.....   | 408 |
| H.1.2 Automatic Network Configuration.....   | 409 |
| H.1.3 Virtual Fabrics.....   | 409 |
| H.2 Brocade VCS Fabric.....  | 414 |
| H.2.1 Management Unit.....   | 415 |
| H.2.2 Linking Resources Using NetworkViewer.....   | 415 |
| Appendix I Auto-configuration and Operations of Network Devices Using Simple Configuration Mode.....                 | 419 |
| I.1 Logical Network Configuration.....   | 419 |
| I.2 Devices for which Simple Configuration Mode can be Used and Configuration Details.....                           | 420 |
| I.2.1 Standard Model Configurations (NSAppliance).....   | 422 |
| I.2.2 Usage Conditions for Standard Model Configuration.....   | 423 |
| I.3 Preparations.....  | 423 |
| I.3.1 Interface Configuration Files.....   | 423 |
| I.3.2 Server Certificates and CA Certificates.....   | 424 |
| I.3.3 Error Page Response Files.....   | 424 |
| I.4 Rulesets.....  | 426 |
| I.5 Definition File.....   | 426 |
| I.5.1 Storage Location of the Definition File.....   | 426 |
| I.5.2 Definition File Name.....  | 426 |
| I.5.3 Definition File Format.....  | 426 |
| I.6 Collecting Troubleshooting Data when an Error Occurs.....  | 427 |
| I.6.1 Simple Configuration Log Files.....  | 427 |
| I.6.2 Troubleshooting Data of Network Devices.....   | 427 |
| I.6.3 Troubleshooting Data of Admin Servers.....   | 428 |
| Appendix J IPCOM VX Series Devices.....  | 429 |
| J.1 IPCOM VX Series.....   | 429 |
| J.1.1 Management Unit.....   | 429 |
| J.1.2 IPCOM VA.....  | 430 |
| Appendix K Preparations for Using VDI Coordination.....  | 437 |
| K.1 VMware Horizon View.....   | 437 |
| K.1.1 VDI Coordination Function.....   | 437 |



# Chapter 1 Documentation Road Map

For the documentation road map, refer to "Documentation Road Map".

# Chapter 2 Overview

This chapter provides an overview of Resource Orchestrator.

## 2.1 Features

---

For details on Resource Orchestrator features, refer to "1.1 What is FUJITSU Software ServerView Resource Orchestrator" in the "Overview".

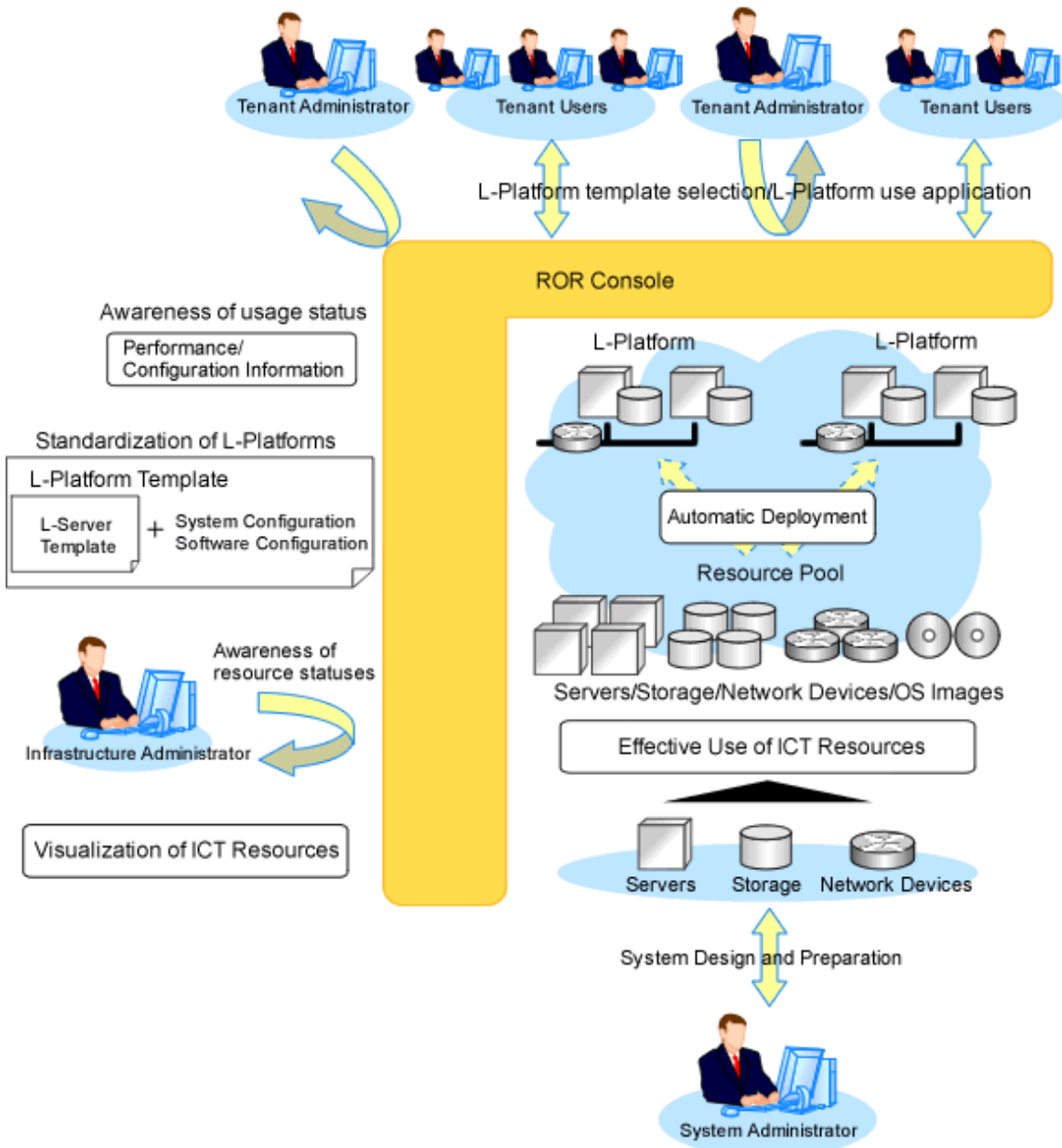
## 2.2 Resource Orchestrator User Roles and the Functions Available to Each User

---

This section explains the Resource Orchestrator user roles and the functions available to each user.

The Resource Orchestrator user roles and the functions available to each user are as follow:

Figure 2.1 Resource Orchestrator User Roles and the Functions Available to Each User



**Resource Orchestrator User Roles**

For details on the roles of Resource Orchestrator users, refer to "Chapter 4 User Roles in Resource Orchestrator [Cloud Edition]" in the "Overview".

**The Functions Available to the Majority of Resource Orchestrator Users**

For details on Resource Orchestrator user roles and the functions available for use, refer to "5.1.2 Roles and Available Operations".

The functions available to the majority of Resource Orchestrator users are as follow:

Table 2.1 Available Functions

| Main Function                                  | Description   | Target Users                     |
|--|---|----------------------------------|
| Standardize L-Platforms (L-Platform templates) | Creates and publishes multiple logical configuration templates (L-Platform templates) for servers, storage, and networks. | Infrastructure Administrators or |



| Main Function  | Description   | Target Users   |
|--|---|--|
|  |   | Tenant Administrators                                  |
| Subscribe to an L-Platform                                   | Search for and select L-Platform templates suitable for the purpose from amongst those published and subscribe.   | Tenant Administrators or Tenant Users                  |
| Use L-Platforms  | L-Platforms that meet one's needs can be used, as necessary.  | Tenant Users   |
| Viewing usage charges  | L-Platform usage can be monitored as usage charge information.<br>Usage charges are calculated based on the amount of L-Platform usage or charge information. The calculated usage charges can be viewed.   | Infrastructure Administrators or Tenant Administrators |
| Safe use of ICT resources by tenants in multiple departments | ICT resources can be shared by multiple departments while maintaining security.   | Tenant Administrators                                  |
| Effective use of ICT resources                               | ICT resources can be managed as a collection of resources (resource pool). They can be used effectively, according to changes in usage.   | Infrastructure Administrators                          |
| Visualization of ICT resources                               | The status of ICT resource usage can be easily checked from the dashboard. The availability of resource pools can be monitored on the dashboard.<br>Also, it can display L-Server and L-Platform performance data configuration information, demand forecasting for resource pools and perform simulations of VM guest reallocations. | Infrastructure Administrators or Tenant Administrators |

### Function that ROR Console Offers

In Resource Orchestrator, the GUI provides the ROR Console.

For details on the functions provided by the ROR console, refer to "Chapter 2 List of Functions Provided by the ROR Console" in the "Quick Start Guide CE".

## 2.2.1 Resource Management

The following functions are provided by Resource Orchestrator.

For details on the operational environment for Resource Orchestrator, refer to "[2.4 Software Environment](#)" and "[2.5 Hardware Environment](#)".

Table 2.2 List of Available Functions

| Function           | Function Overview  | Remarks  |
|--------------------|--|--|
| Resource pools     | A function that enables you to use all resources effectively and efficiently.  | For details, refer to " <a href="#">2.2.2 Resource Pools</a> ".  |
| L-Server creation  | A function that provides L-Servers, logical servers including physical and virtual servers, which are comprised of appropriate resources in a resource pool, such as servers, storage, OS images and network.<br><br>Even if there are no resources to allocate to L-Servers, flexible configuration and operation, such as creating L-Server definitions in advance, is possible. | For details on L-Servers, refer to " <a href="#">2.2.3 L-Server</a> ".<br>For details on allocating and releasing resources to and from L-Servers, refer to "17.8 Allocating and Releasing Resources to L-Servers" in the "User's Guide for Infrastructure Administrators (Resource Management) CE". |
| L-Server templates | A function that enables pre-definition of L-Server specifications (number of CPUs, memory capacity, disk capacity, number of NICs, etc.) to simplify L-Server creation.  | For details, refer to " <a href="#">2.2.5 Templates</a> ".   |

| Function  | Function Overview   | Remarks   |
|---|---|---|
| Resource visualization  | A function that displays the total size and the free space of the resources in a resource pool.   | For details, refer to " <a href="#">2.2.6 Resource Visualization</a> ".   |
| Simplifying network settings  | A function that provides automatic configuration of network settings used for connecting network devices or creating L-Servers.   | For details, refer to " <a href="#">2.2.7 Simplifying Networks</a> ".   |
| Simplifying storage settings  | To use storage from a physical L-Server, configure storage units and storage networks.  | For details, refer to " <a href="#">2.2.8 Simplifying Storage</a> ".  |
| Changing physical server usage  | This function enables effective use of server resources as the operating systems and software that are started on physical servers can be changed depending on the time and situation.  | For details, refer to "17.9 Changing Physical Server Usage" in the "User's Guide for Infrastructure Administrators (Resource Management) CE".   |
| Linking L-Servers with configured physical servers or virtual machines    | Enables uniform management of configured physical servers or virtual machines as L-Servers by linking them to an L-Server.  | For details, refer to "Chapter 18 Linking L-Servers with Configured Physical Servers or Virtual Machines" in the "User's Guide for Infrastructure Administrators (Resource Management) CE". |
| Managing multiple resources using resource folders                        | A function for managing clustered multiple resources.   | For details, refer to "Chapter 21 Resource Folder Operations" in the "User's Guide for Infrastructure Administrators (Resource Management) CE".   |
| Restricting access using roles  | A function for configuring roles (a collection of available operations) and access scopes (resources which can be operated) for individual users.<br><br>A large number of users can be configured as a single unit using user groups that manage multiple users. | For details, refer to " <a href="#">5.1 Restricting Access Using Roles</a> ".   |
| Sharing and dividing resources between multiple departments using tenants | A tenant is a unit for division of management and operation of resources based on organizations or operations.<br><br>This function enables secure operation of sharing and dividing resources between multiple departments.                                      | Refer to " <a href="#">Chapter 6 Defining Tenants and Resource Pools</a> " and " <a href="#">Chapter 4 Managing Tenants</a> " in the "Operation Guide CE".                                  |
| Managing and sharing user information using LDAP coordination             | By using a directory service that supports LDAP, such as Active Directory, user information can be managed and shared with other services.  | Refer to " <a href="#">Chapter 12 Configuring Single Sign-On</a> ".   |
| Realization of high availability  | Functions to enable high availability systems, with features such as L-Server and admin server redundancy, server switchover for chassis failures, and storage switchover.  | Refer to " <a href="#">Chapter 7 Defining High Availability and Disaster Recovery</a> ".  |
| DR (Disaster Recovery)  | Preparing a backup system (a backup site) at remote sites to handle fatal damage caused by disasters enables administrators to perform switchover when trouble occurs.  | Refer to the "DR Option Instruction".   |
| Monitoring  | A function for monitoring resource statuses of servers and displaying if the status is normal or not by using the GUI.  | For details, refer to "Chapter 11 Monitoring Resources" in the "Operation Guide CE".  |
| Power control   | A function for turning servers ON or OFF.   | Refer to "17.1 Power Operations" in the "User's Guide for Infrastructure Administrators (Resource Management) CE".  |

| Function                  | Function Overview   | Remarks   |
|---------------------------|---|---|
| Hardware maintenance      | <p>Functions to simplify hardware replacement. When connected with a SAN, it is not necessary to reconfigure storage units by configuring the I/O virtualization settings. Using VIOM or ISM, it is no longer necessary to change the settings of software or network devices to refer to MAC addresses, as the MAC address, boot settings, and network settings are automatically changed. VM host maintenance can be easily performed, using VM Home Positions.</p>   | <p>For details, refer to "Chapter 9 Hardware Maintenance" in the "Operation Guide CE".</p>  |
| Network device monitoring | <p>A function for monitoring resource statuses of network devices and displaying if the status is normal or not on the GUI. Periodic or SNMP trap monitoring can be specified when network devices are registered or changed.</p> <ul style="list-style-type: none"> <li>- Periodic monitoring<br/>Network devices are periodically monitored.</li> <li>- Alive Monitoring<br/>Executes the "ping" command to the network device, and determines the existence of the device based on the response.</li> <li>- Status Monitoring<br/>Collects MIB information for the device with SNMP, and determines the status from the MIB information.</li> <li>- SNMP trap monitoring<br/>Status monitoring (SNMP monitoring) is performed for SNMP trap (issued by the network device) reception.</li> <li>- NetworkViewer Function<br/>The following information is displayed in a comprehensive NetworkViewer: <ul style="list-style-type: none"> <li>- Network configurations of physical servers and virtual machines (Virtual switches, VM Guests)</li> <li>- Statuses of network connections between resources</li> <li>- VLAN configuration status within physical servers and virtual machines</li> <li>- Network configurations within L-Platforms</li> <li>- Network configurations of L-Servers</li> <li>- Relationships of deployed L-Platforms, L-Servers, and network resources with physical resources</li> </ul> </li> </ul> | <p>For details, refer to "11.4 Monitoring Networks" in the "Operation Guide CE" and "Appendix A User Interface" in the "User's Guide for Infrastructure Administrators (Resource Management) CE".</p> <p>For the specification of the monitoring method, refer to "15.7 Network Configuration Information" in the "Reference Guide (Command/XML) CE".</p> |
| Network maintenance       | <p>A function for maintaining network devices.</p>  | <p>For details, refer to "Chapter 9 Hardware Maintenance" in the "Operation Guide CE".</p>  |
| L-Server console screen   | <p>The L-Server console screen that displays the information of physical and virtual L-Servers can be opened with common, simple operations from the Resource Orchestrator screen.</p>  | <p>For details, refer to "17.3 Using the L-Server Console" in the "User's Guide for Infrastructure Administrators (Resource Management) CE".</p>  |

## Managed Resources

Resource Orchestrator can be used to manage the resources described in the table below.

Table 2.3 Managed Resources

| Resource                   | Description   |
|----------------------------|---|
| Chassis                    | A chassis is an enclosure used to house server blades. It can monitor the statuses of servers, display their properties, and control their power states.  |
| Physical server            | <p>This is a general term for any physical server. This term is used to distinguish physical servers from virtual machines that are created using server virtualization software such as VMware or Hyper-V. The following usage methods are available for physical servers:</p> <ul style="list-style-type: none"> <li>- Managing unused physical servers as L-Servers by registering them with Resource Orchestrator</li> <li>- Managing configured physical servers by linking them to L-Servers</li> </ul> <p>VM hosts and physical OSs running on physical servers can be detected and registered as managed resources by Resource Orchestrator.</p>  |
| VM host                    | <p>This refers to the server virtualization software running on a server to operate a virtual machine. For example, Windows Server 2008 R2 with Hyper-V roles added, VMware ESX for VMware, domain 0 for RHEL5-Xen, VM hosts for RHEL-KVM, Citrix XenServer, OVM for x86, OVM for SPARC, or Global Zone for Solaris Zones.</p> <p>VM hosts can be managed by monitoring their statuses, displaying their properties, and performing operations such as HBA address rename and server switchover.</p> <p>When a VM host is registered, any VM guests on the VM host are automatically detected and displayed in the server tree. The power operations and migration operations, etc. of VM guests can be performed from the server tree.</p> |
| VM management software     | <p>This software manages multiple server virtualization software. For example, for VMware, it is vCenter Server, for Hyper-V, it is SCVMM, and for OVM for x86 2.2 or OVM for x86 3.x, it is Oracle VM Manager.</p> <p>VM management software can be integrated (registered) into Resource Orchestrator to enable the use of functions for VM guests.</p>   |
| Server management software | Software used for managing multiple servers. The target servers can be controlled.  |
| LAN switch blades          | <p>The L2 switches that are mounted in a blade server chassis (LAN switch blades).</p> <p>Resource Orchestrator can monitor LAN switch blade statuses, display their properties, and manage their VLAN configurations.</p>  |
| VM guest                   | <p>This refers to the operating system running on a virtual machine.</p> <p>Resource Orchestrator can monitor VM guest statuses, display their properties, and control their power states.</p> <p>The following usage methods are available for physical servers:</p> <ul style="list-style-type: none"> <li>- Managing new VM guests as L-Servers</li> <li>- Managing configured virtual machines by linking them to L-Servers</li> </ul>  |
| Virtual switch             | <p>This is a virtual switch used to manage a VM guest network on the VM host.</p> <p>In Hyper-V, it represents the concept of virtual networks.</p> <p>It supports virtual switches, which are standard Hyper-V virtual network and VMware functions.</p>   |
| Disk resources             | <p>This refers to a disk resource allocated to a server.</p> <ul style="list-style-type: none"> <li>- For EMC CLARiiON storage, EMC VNX storage, ETERNUS storage or NetApp FAS storage</li> </ul> <p>The one that corresponds to the disk resource is LUN.</p> <ul style="list-style-type: none"> <li>- For EMC Symmetrix DMX storage or EMC Symmetrix VMAX storage</li> </ul> <p>The one that corresponds to the disk resource is device.</p>  |

| Resource                    | Description   |
|-----------------------------|---|
|                             | <ul style="list-style-type: none"> <li>- For Storage Server on which FalconStor NSS operates<br/>The one that corresponds to the disk resource is Virtual Device.</li> <li>- For VM guests<br/>The one that corresponds to the disk resource is virtual disk.</li> </ul>  |
| Virtual storage resources   | <p>This refers to a resource that can create a disk resource.</p> <p>For example, RAID groups of ETERNUS storage, aggregates of NetApp storage, and file systems for creating VMs (VMware datastores).</p>  |
| Storage management software | <p>Software to manage and integrate one or multiple storage units.</p> <ul style="list-style-type: none"> <li>- For EMC CLARiiON storage or EMC VNX storage<br/>The one that corresponds to the storage management software is Navisphere.</li> <li>- For EMC Symmetrix DMX storage or EMC Symmetrix VMAX storage<br/>The one that corresponds to the storage management software is Solutions Enabler.</li> <li>- When Using ETERNUS Storage<br/>The one that corresponds to the storage management software is ETERNUS SF Storage Cruiser.</li> <li>- For NetApp FAS storage<br/>The one that corresponds to the storage management software is Data ONTAP.</li> <li>- For Storage Server on which FalconStor NSS operates<br/>The one that corresponds to the storage management software is FalconStor NSS.</li> </ul> <p>Integration (registration) with Resource Orchestrator enables the use of functions for basic management of storage units.</p> |
| Network resources           | <p>This refers to a resource that defines network information for use by an L-Server or a network device. By connecting the NIC for an L-Server to a network resource, the physical and virtual network switches are configured, enabling the L-Server to communicate.</p> <p>If an IP address range is set for a network resource, the IP address can be automatically set when deploying an image to an L-Server.</p>   |
| Network device resources    | <p>This refers to a resource that defines a network device. Firewalls, server load balancers, and L2 switches (except for LAN switch blades) are included.</p> <p>It is possible to monitor the statuses of network devices, display their properties, and perform automatic configuration.</p>   |
| Address set resources       | <p>This refers to WWN, MAC address, and global IP addresses.</p> <ul style="list-style-type: none"> <li>- When a physical L-Server is created, a WWN and MAC address are necessary.</li> <li>- When a virtual L-Server is created using KVM, RHEL5-Xen, or Citrix Xen, a MAC address is necessary.</li> <li>- For automatic configuration of network devices using simple configuration mode, when managing the virtual IP addresses (public addresses) used for address translation functions of firewalls, and performing automatic allocation, global IP addresses are necessary.</li> </ul>   |
| Virtual image resources     | <p>They are the following two images.</p> <ul style="list-style-type: none"> <li>- Cloning images collected from virtual L-Servers</li> <li>- Images using a template used for VM guest creation with VM management software</li> </ul>   |
| Physical image resources    | <p>Cloning images gathered from physical L-Servers.</p>   |

## 2.2.2 Resource Pools

---

A resource pool is a collection of physical servers, VM hosts, storage, networks, images, and other resources of the same type.

The resource pool management function allows you to effectively and efficiently use all resources.

Until now, launching or expanding business operations required the purchase of servers, storage, networks, and other resources. Furthermore, significant time and effort was spent preparing and organizing such operations. When the resource pool is used, the time and trouble of requests for decision, arrangements, and environment construction, etc. that were necessary for individual systems becomes unnecessary because it is possible to prepare a server (including storage and network) simply by allocating an appropriate resource that has been registered in the resource pool of this product. Preparation and operation of a premeditated infrastructure environment is possible. Moreover, it is possible to release resources when they become unnecessary, enabling re-assignment.

The types of resource pools are as described in "6.4 Resource Pool Types". For details, refer to "Chapter 20 Resource Pool Operations" in the "User's Guide for Infrastructure Administrators (Resource Management) CE".

Multiple resource pools can be created depending on operational requirements (hardware type, security, resource management units). If the resources in a resource pool are insufficient, a new resource can be added or a resource can be moved from another resource pool to compensate.

## 2.2.3 L-Server

---

Resource Orchestrator can be used to create L-Servers which define the logical specifications (number of CPUs, memory capacity, disk capacity, number of NICs, etc.) for servers (with storage and networks).

Resources can be allocated to an L-Server according to defined specifications. An L-Server with allocated resources can perform the same operations as a normal physical server and a virtual machine.

In addition, configured physical servers and virtual machines can be managed by linking them with L-Servers.

To operate the server, L-Server users only need to be aware of the specifications defined for the server, and not the resources allocated to it.

The following advantages are gained by using L-Servers:

- Simple and rapid server configuration

The ideal server can be configured simply and quickly by automatically allocating resources from resource pools according to the L-Server defined specifications.

- Reduced management costs

L-Server users do not need to manage the resources allocated to the server. Moreover, resource management is performed by an infrastructure administrator, reducing overall management costs.

- Integrated operation of physical servers and virtual machines

L-Servers can be created for both physical servers and virtual machines.

- An L-Server created using a physical server is called a "physical L-Server".
- An L-Server created using a virtual machine is called a "virtual L-Server".

After creating L-Servers, operations can be performed without differentiation between physical servers and virtual machines.

### Information

Resources from resource pools can be automatically allocated or specific resources can be manually allocated to an L-Server.

### Note

The physical server deployed for the L-Server cannot be switched over from server tree.

## L-Server Creation

By specifying server specifications (number of CPUs, memory capacity or model type), storage capacity, operating system image, and network connections, Resource Orchestrator quickly creates a practical L-Server using the applicable resources from resource pools. It is possible to choose from two operational methods: (1) only create the configuration definition of an L-Server. In this case, resources are allocated to it when it is powered on for the first time; (2) create an L-Server with resources allocated. In this case, the L-Server will be ready for use after creation.

Resources can be selected using the following two methods:

- Automatic assignment
- Specifying resources or resource pools by each user

L-Server specifications can be specified by the following two methods.

- Selecting an L-Server template

For details on how to create an L-Server using an L-Server template (with L-Server specifications pre-defined), refer to "16.1 Creation Using an L-Server Template" in the "User's Guide for Infrastructure Administrators (Resource Management) CE".

- Manually specifying each L-Server specification without using an L-Server template

For details on how to create an L-Server individually (without using an L-Server template), refer to "16.2 Creation of Physical L-Servers Using Parameters" or "16.3 Creation of Virtual L-Servers Using Parameters" in the "User's Guide for Infrastructure Administrators (Resource Management) CE".

When creating an L-Server by specifying the OS image, the specified values can be configured in the OS property.

For details, refer to "[Guest OS Customization](#)" in "16.2.5 [OS] Tab" and "[11.1 Deciding Server Virtualization Software](#)" in the "User's Guide for Infrastructure Administrators (Resource Management) CE".

Basic operations, such as startup, shutdown, and delete, can be performed for an L-Server in the same way as for a typical server. L-Server users do not require detailed knowledge of the resources allocated to the server in order to operate it.

The following operations can be performed:

- Changing of L-Server configurations

Configurations of resources to allocate to the L-Server can be changed.

Refer to "17.2 Modifying" in the "User's Guide for Infrastructure Administrators (Resource Management) CE".

- Moving an L-Server between servers (migration) (For virtual L-Servers)

The function that moves a virtual L-Server to another VM host without stopping it.

For details, refer to "17.7 Migration between VM Hosts" in the "User's Guide for Infrastructure Administrators (Resource Management) CE".

- Snapshot (For virtual L-Servers)

The function that saves the content of the system disk and data disk of a virtual L-Server disk at a certain point of time.

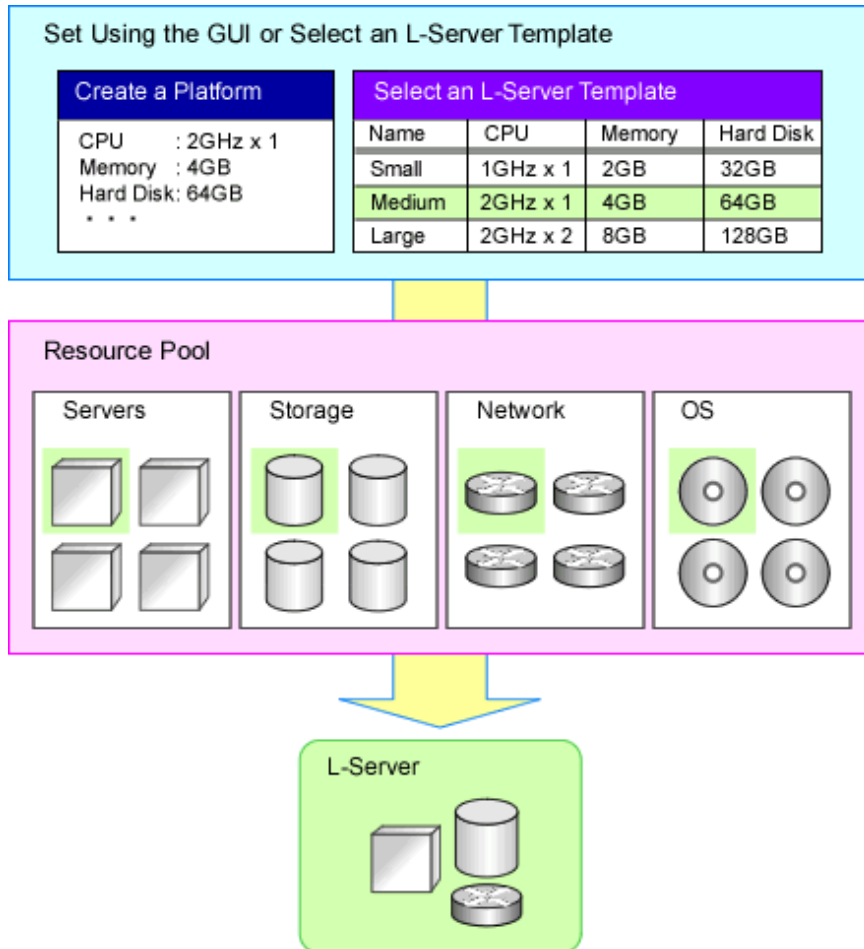
For details, refer to "17.6.1 Snapshot" in the "User's Guide for Infrastructure Administrators (Resource Management) CE".

- Backup (For physical L-Servers)

The function that saves the system disk of a physical L-Server.

For details, refer to "17.6.2 Backup and Restore" in the "User's Guide for Infrastructure Administrators (Resource Management) CE".

Figure 2.2 L-Server Creation



### Selection of L-Server Deployment Location

Specify the resource pool and the server (the VM pool and VM host for a virtual L-Server, and the server pool and physical server for a physical L-Server) to deploy the L-Server to using one of the following methods.

- Resource pool automatic selection

With this method, neither the resource pool nor the server are specified, and this product selects the resource pool automatically. The priority selected when L-Server is created can be set to the resource pool.

When two or more pools that can be accessed exist, this product selects the resource pool with the higher priority as the deployment target (The smaller the value, the higher the priority). When two or more pools of the same priority exist, one is selected at random.

After the resource pool is decided, the server is selected from the resource pool automatically.

For L-Servers that use overcommit, use the following procedure to select the deployment location.

- A VM host in a VM pool with overcommit settings that the user can access will be selected for the deployment location of the L-Server.
- When two or more VM pools using overcommit exist, the VM host the L-Server is deployed to is selected from all VM hosts in the resource pool, regardless of the priority configured.



- Resource pool specification

The server is selected from the specified resource pool automatically.

For a virtual L-Server, it is necessary to specify the resource pool according to the overcommit setting.

- Server specification

The L-Server is deployed to the specified server.

For a virtual L-Server, it is necessary to specify a VM host in the resource pool according to the overcommit setting.

When an L-Platform is created using the default settings, only "Resource pool automatic selection" or "Resource pool specification" can be used.

If you change the settings, it is also possible to use "Server specification".

For details on how to change the settings, refer to "9.16 Setting the VM Host and Virtual Storage Specification Functions" in the "Setup Guide CE".

The server that is the deployment target must meet all of the following requirements.

- The VM host is powered on
- Status is "normal"
- Maintenance mode is not set

For details on maintenance mode, refer to "Appendix C Maintenance Mode" in the "User's Guide for Infrastructure Administrators (Resource Management) CE".

- The VM maintenance mode of the server virtualization software is not set (For virtual L-Server)
- The conditions specified during L-Server creation are met

When creating a virtual L-Server, if the deployment target VM host in the VM pool is selected automatically, the VM host is selected using the conditions above, as shown below.

- When using L-Server templates

The VM host on which another L-Server that was created from the same L-Server template is placed is searched for, and then the L-Server is created.

If there is insufficient space on the VM host, a VM host that has more capacity is searched for, and then the L-Server is created.

This enables reduction of waste by fragmenting the free space of VM hosts among all VM hosts.

For L-Server templates that have overcommit enabled, if none of the searched VM hosts has sufficient space available, select a VM host and create an L-Server.

- When not using L-Server templates

A VM host that has more capacity is searched for, and then the L-Server is created.

- When the exclusion function of an L-Server has been set

The L-Server is created on a VM host that other L-Servers do not use.

The L-Servers on an L-Platform are configured for exclusive operation from all other L-Servers on the L-Platform.

Therefore, it is not necessary to configure exclusive operation for other L-Servers on the L-Platform.

However, when the following conditions are met, an L-Server may be created on an L-Server deployed on a VM host on the same L-Platform:

- There are no VM hosts on which an L-Server has not been deployed on the L-Platform
- There are VM hosts on which an L-Server has not been deployed on the L-Platform that do not have sufficient resources available
- When the HA function or automatic re-installation function (examples: VMware HA or VMware DRS) of the VM product was enabled

The VM host is selected by the VM product.

[KVM] [Solaris Zones] [OVM for SPARC]

A VM host in which an unused disk resource exists with the disk capacity specified as virtual L-Server is searched for, and then the L-Server is created.

## Simplifying Installing Using Cloning

Cloning is the function to distribute cloning images made from the content of the system disk of one server to another physical L-Server.

When a cloning image is created, network-specific settings such as host names and IP addresses are removed from the cloning image. This network-specific configuration is dynamically reconfigured on the servers to which the cloning image is distributed.

This makes it possible to create duplicates of existing servers that will use the same operating system and software.

## Simplifying Configuration Using I/O Virtualization

I/O virtualization via HBA address rename (\*) allows storage devices to be configured independently and prior to the rest of the server installation process. Servers can then be installed and set up without the involvement of storage administrators.

\* Note: Refer to "[2.2.9 I/O Virtualization](#)".

## L-Server for infrastructure administrators

The L-Server for the infrastructure administrator is an L-Server that cannot be used by the tenant administrator or tenant users. Only the tenant administrator and the tenant user can use a normal L-Server.

It is created for the following purpose.

- When the infrastructure administrator collects the cloning image

The infrastructure administrator creates the cloning image, and releases it to the tenant administrator and tenant users.

For details how to create an L-Server for an infrastructure administrator, refer to "1.2.2 Configuring Resources" in the "Setup Guide CE".

For details on how to collect cloning images, refer to "17.5 Cloning Image Operations" in the "User's Guide for Infrastructure Administrators (Resource Management) CE".

- When installing a VM host on a physical L-Server

The setting of the network and storage can be simplified using the functions of the physical L-Server when creating the VM host. Moreover, high availability operation and Disaster Recovery can be performed.

For details how to set up, refer to the following:

- Installing VM Hosts on Physical L-Servers

Refer to "Appendix A Installing VM Hosts on Physical L-Servers" in the "Setup Guide CE".

- Blade Chassis High Availability

Refer to "18.1.2 Blade Chassis High Availability" in the "Operation Guide CE".

- Disaster Recovery

Refer to the "DR Option Instruction".

- When installing software used for infrastructure management, such as VM management software, on an L-Server

Simplified setup of VM management software, high availability operation, and disaster recovery can be performed.

## Changing Physical Server Usage

The usage change of a physical server is a function to prepare more L-Servers than the number of physical servers, and to start the L-Server to be switched to. Because the usage of a physical server can be changed using this function according to the time and situation, the resources of servers can be used effectively.

The boot disk and Internet Protocol address of an L-Server are retained while another L-Server uses a physical server.

This function can be used when an L-Server is actually a physical server. With virtual machines, as it is possible to deploy multiple L-Servers on a single VM host without making any settings, it is possible to get the same effect as changing the usage of a physical server by selecting the L-Server to start.

This function has the following two uses.

- One physical server used for the switchover of multiple L-Servers  
The physical server that starts an L-Server will always be the same server.
- An unused physical server in a server pool used for the switchover of multiple L-Servers  
The physical server allocated to an L-Server differs depending on the availability of the server pool.

For details, refer to "17.9 Changing Physical Server Usage" in the "User's Guide for Infrastructure Administrators (Resource Management) CE".

## Changing VM Guest Locations (Migration)

The operation (migration) that moves the VM guest between physical servers can be done from this product through coordination with the VM management product (VMware vCenter Server etc.) or the VM host (VM host of KVM).

Regrouping of all VM guests to a subset of servers and shut down of any unused servers or chassis to reduce overall power consumption.

When server maintenance becomes necessary, VM guests can be migrated to alternative servers and their applications kept alive during maintenance work.

## 2.2.4 L-Platform

---

This section explains L-Platforms.

An L-Platform is a logical resource used to collectively manage an entire system (platform) composed of two or more servers in a hierarchical system (Web/AP/DB), with a network.

The setting and the operation of two or more servers, storage, and networks can be simplified by the use of an L-Platform.

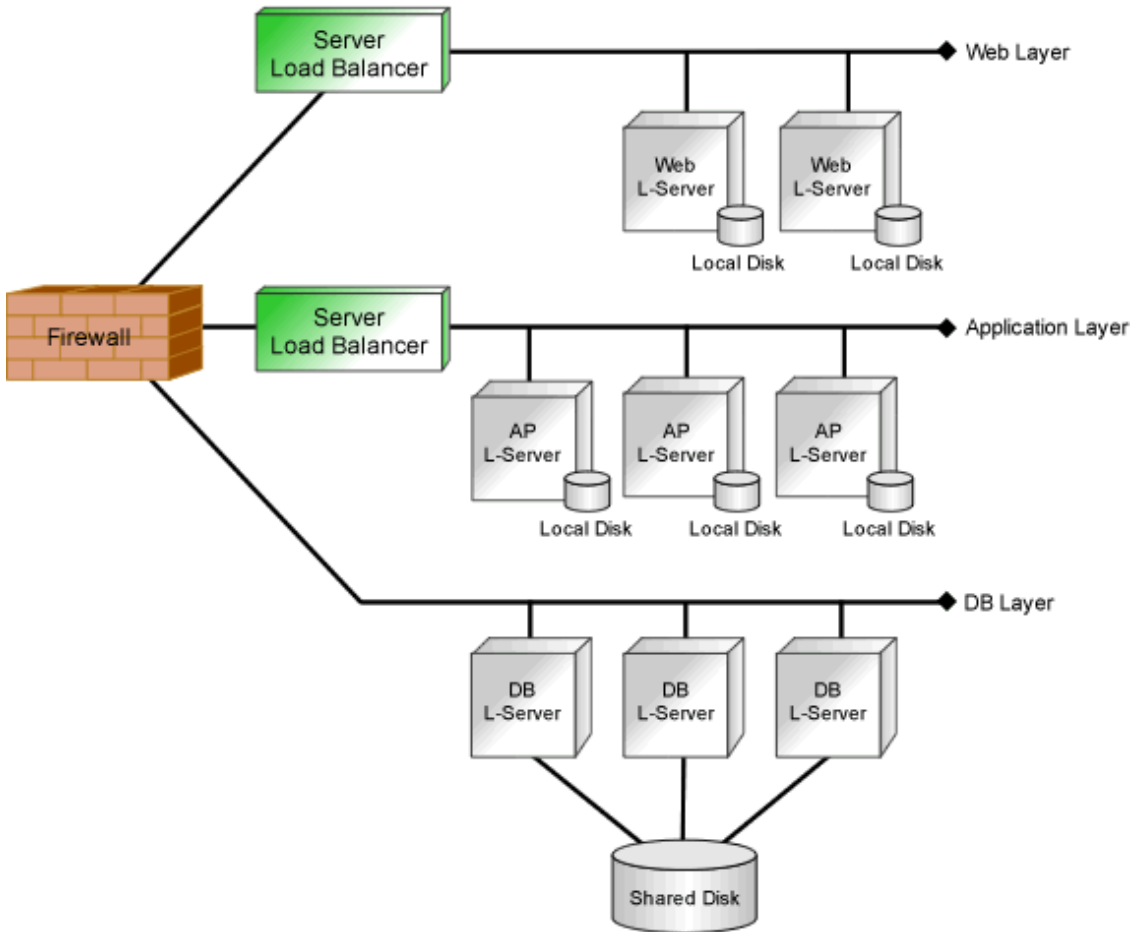
Resource Orchestrator can be used to deploy and operate L-Platforms.

An L-Platform defines the following combination of resources:

- L-Server  
An L-Platform is a logical server that manages physical servers and virtual servers (VM) together.  
For details on L-Servers, refer to "[2.2.3 L-Server](#)".
- Network Resources  
This is a resource that expresses the network where it connects between L-Servers. Using network resources it is possible to automatically configure switches and virtual switches, and connect an L-Server to a network.  
For details, refer to "[2.2.7 Simplifying Networks](#)".
- Firewall Resources  
In a hierarchical system, this resource ensures the security of each tier.
- Server Load Balancer Resources  
This resource distributes the workload across multiple servers, reducing the delay in response when there is concentrated traffic or server failure.

The configuration of an L-Platform is shown below.

Figure 2.3 L-Platform Configuration



## 2.2.5 Templates

This section explains templates.

The following templates can be used with Resource Orchestrator:

- L-Platform Templates
- L-Server Templates

### L-Platform Templates

An L-Platform template defines L-Platform specifications.

L-Platform templates enable standardization of L-Platform specifications and easy creation of L-Platforms.

For how to create L-Platform templates, refer to "Chapter 8 Template" in the "User's Guide for Infrastructure Administrators CE".

### L-Server Templates

An L-Server template defines the specifications of the L-Servers comprising the L-Platform.

Specify an L-Server template when creating an L-Platform template.

For the format of L-Server templates, refer to "15.2 L-Server Template" in the "Reference Guide (Command/XML) CE".

For how to create L-Server templates, refer to "15.1.2 Creating" in the "User's Guide for Infrastructure Administrators (Resource Management) CE".

## 2.2.6 Resource Visualization

---

### Total Capacity of Resources in the Resource Pool and Display of Free Space

The total capacity and the free space of the resources in the resource pool are displayed, and the availability can easily be checked from the [dashboard(Pool conditions)] tab of the ROR console.

For how to use the [dashboard (Pool Conditions)] tab of the ROR console, refer to "Chapter 4 Dashboard (Pool Conditions)" in the "User's Guide for Infrastructure Administrators CE".

### Display of the Number of L-Servers Each L-Server Templates can Create

The number of L-Servers that can be created for each L-Server template can be displayed for the specified L-Server template.

For details on the L-Server conversion view, refer to "20.6 Viewing" in the "User's Guide for Infrastructure Administrators (Resource Management) CE".

### Relation Management of Physical Servers and Virtual Servers

Resource Orchestrator provides an integrated management console for environments composed of physical and virtual servers.

The [Resource] tab of the ROR console supports management of server configurations, monitoring of failures, and determination of the causes and range of effects of problems.

- Resource Orchestrator provides a tree-based view of chassis and server hardware and their operating systems (physical OS, VM host, or VM guest). This enables easy confirmation and tracking of relationships between chassis, servers, and operating systems.
- Resource Orchestrator monitors server hardware and displays icons representative of each server's status.

Resource Orchestrator also allows administrators to manage both physical and virtual servers in a uniform manner. Once registered, resources can be managed uniformly regardless of server models, types of server virtualization software, or differences between physical and virtual servers.

### Easy server monitoring

When managing PRIMERGY BX servers, BladeViewer can be used to easily check server statuses and perform other daily operations. In BladeViewer, server statuses are displayed in a format similar to the physical configuration of a blade server system, making server management and operation more intuitive. BladeViewer provides the following features:

- Display of the mount statuses of server blades.
- An intuitive way to monitor and control the mount statuses of multiple server blades.
- Easier visualization of which applications are running on each server blade. This helps to quickly identify any affected applications when a hardware fault occurs on a server blade.

### Monitoring of power consumption

By activating the power monitoring feature, it is possible to monitor trends in power consumption for resources equipped with power monitoring capabilities, or resources connected to a registered power monitoring device (PDU or UPS). The power consumption data regularly collected from the power monitoring environment can be output to a file in CSV format or as a graph.

## 2.2.7 Simplifying Networks

---

VLAN or IP address settings for LAN switch blades, virtual switches, and L2 switches is automatically performed based on the definition information of network resources in Resource Orchestrator. For L2 switches, firewalls, and server load balancers, configuring, modifying, or deleting the definitions that include VLAN settings is automatically performed using scripts. Scripts are prepared for each model of the network devices by infrastructure administrators.

## 2.2.7.1 Timing of Automatic Network Settings

The simplified network settings will be executed when the following operations are performed:

Table 2.4 Timing of Automatic Network Settings Execution (Network Devices)

| Target            | Operation                          | Firewall Devices<br>(Overall Settings) | Server Load<br>Balancers<br>(Overall Settings) |
|-------------------|------------------------------------|--|--|
| Network resources | Creation                           | -                                      | -  |
|                   | Modification                       | -                                      | -  |
|                   | Deletion                           | -                                      | -  |
|                   | Automatic network<br>configuration | -                                      | -  |
|                   | Pool migration                     | -                                      | -  |
| VM pool           | Registering to pools               | -                                      | -  |
| Network pool      | Tenant migration                   | -                                      | -  |
| Network devices   | Creation                           | -                                      | -  |
|                   | Modification                       | -                                      | -  |
|                   | Deletion                           | -                                      | -  |
| Virtual L-Server  | Creation                           | -                                      | -  |
|                   | Modification                       | -                                      | -  |
|                   | Addition of NICs                   | -                                      | -  |
|                   | Deletion of NICs                   | -                                      | -  |
|                   | Deletion                           | -                                      | -  |
| Physical L-Server | Creation                           | -                                      | -  |
|                   | Modification                       | -                                      | -  |
|                   | Deletion                           | -                                      | -  |
| L-Platform        | Creation                           | Yes                                    | Yes  |
|                   | Modification                       | Yes                                    | Yes  |
|                   | Deletion                           | Yes                                    | Yes  |

Yes: Available

-: Not available

Table 2.5 Timing of Automatic Network Settings Execution (Switches)

| Target               | Operation    | L2 Switch<br>(Overall<br>Settings) (*1) | Ethernet Fabric Switches   |  |                          | LAN Switch Blades<br>(VLAN Settings) (*1) |                                 |
|----------------------|--------------|---|----------------------------|--|--------------------------|---|---------------------------------|
|                      |              |   | VLAN Port<br>Profiles (*2) | Internal<br>Connection<br>Ports (*2)(*3)<br>(*4) | VLAN<br>Settings<br>(*5) | Internal<br>Connection<br>Ports           | External<br>Connection<br>Ports |
| Network<br>resources | Creation     | Yes                                     | Yes                        | -  | Yes                      | -   | Yes (*6)                        |
|                      | Modification | Yes                                     | Yes                        | Yes (*7)   | Yes                      | -   | Yes (*6)                        |
|                      | Deletion     | Yes                                     | Yes                        | -  | Yes                      | Yes                                       | -                               |

| Target            | Operation                                       | L2 Switch<br>(Overall<br>Settings) (*1) | Ethernet Fabric Switches   |  |                          | LAN Switch Blades<br>(VLAN Settings) (*1) |                                 |
|-------------------|---|---|----------------------------|--|--------------------------|---|---------------------------------|
|                   |   |   | VLAN Port<br>Profiles (*2) | Internal<br>Connection<br>Ports (*2)(*3)<br>(*4) | VLAN<br>Settings<br>(*5) | Internal<br>Connection<br>Ports           | External<br>Connection<br>Ports |
|                   | Automatic network configuration                 | -                                       | -                          | -  | -                        | Yes                                       | -                               |
|                   | Pool migration                                  | -                                       | -                          | -  | Yes                      | -   | -                               |
| VM pool           | Registering to pools                            | -                                       | -                          | -  | -                        | Yes                                       | -                               |
| Network pool      | Tenant migration                                | -                                       | -                          | -  | Yes                      | -   | -                               |
| Network devices   | Creation  | -                                       | -                          | -  | Yes                      | -   | -                               |
|                   | Modification                                    | -                                       | -                          | -  | Yes (*10)<br>(*11)       | -   | -                               |
|                   | Deletion  | -                                       | -                          | -  | -                        | -   | -                               |
| Virtual L-Server  | Creation  | -                                       | -                          | Yes  | -                        | Yes                                       | -                               |
|                   | Modification                                    | -                                       | -                          | -  | -                        | -   | -                               |
|                   | Addition of NICs                                | -                                       | -                          | Yes  | -                        | Yes                                       | -                               |
|                   | Deletion of NICs                                | -                                       | -                          | Yes  | -                        | -   | -                               |
|                   | Modification of connection destination networks | -                                       | -                          | Yes  | -                        | Yes                                       | -                               |
|                   | Deletion  | -                                       | -                          | Yes  | -                        | -   | -                               |
| Physical L-Server | Creation  | Yes (*8)                                | -                          | -  | -                        | Yes                                       | -                               |
|                   | Modification                                    | Yes (*8)                                | -                          | -  | -                        | Yes                                       | -                               |
|                   | Deletion  | Yes (*8)                                | -                          | -  | -                        | Yes                                       | -                               |
| L-Platform        | Creation  | Yes (*9)                                | -                          | Yes  | -                        | Yes                                       | -                               |
|                   | Modification                                    | Yes (*9)                                | -                          | Yes  | -                        | Yes                                       | -                               |
|                   | Deletion  | Yes (*9)                                | -                          | Yes  | -                        | Yes                                       | -                               |

Yes: Available

-: Not available

\*1: When using an Ethernet Fabric switch or an Ethernet Fabric switch blade which constitutes an Ethernet Fabric, the timing of auto-configuration is the same as that of the Ethernet Fabric switch.

\*2: It is automatically configured when using an Ethernet fabric switch and "port profile configuration" is set to "Enable".

\*3: A VLAN is automatically configured for the internal connection port used for L-Server communications according to the link between the NIC of the L-Server and the VLAN port profile.

\*4: It is automatically configured when all of the following conditions are met.

- When using an Ethernet fabric switch and "port profile configuration" is set to "Enable"

- When the VM host connected to the Ethernet fabric switch is VMware or a Hyper-V virtual L-Server

\*5: When performing some type of auto-configuration for the Converged Fabric port, the interface group including the relevant port is configured in Converged Fabric.

\*6: When automatic network configuration and automatic VLAN configuration for uplink ports are enabled, settings are automatically configured at the point when an external connection port (including an external connection port with link aggregation configured) is added.

\*7: If an uplink port of the Ethernet fabric switch is added, the link between the L-Server connected to the network resource and the VLAN

port profile will operate.

\*8: Available when using rack mount servers.

\*9: Available when using rack mount servers and physical LAN segments have been specified.

\*10: When deleting tenants related to VFABs by modifying network devices in Converged Fabric, if the tenants to be deleted are not related to any other VFABs, the relevant tenants belong to the default VFAB. At this time, the linking information of the port profiles and the MAC addresses for the L-Server in the tenant will not be configured automatically as the default VFAB is out of the VFAB auto-configuration target.

In this case, log in to the Converged Fabric and modify the linkage between the port profile and the MAC address for the tenant in the relevant tenant using the relevant command.

\*11: When deleting a port in dot1ad mode from VFAB by modifying the network device for Converged Fabric, settings for disabling dot1ad mode of the relevant port are not configured. The following is the reason for this:

- When using the port in dot1ad mode for a VFAB operation other than performing auto-configuration, if the dot1ad mode is disabled due to auto-configuration, it may be unable to communicate with the operational system.

When disabling dot1ad mode of the relevant port, log in to the Converged Fabric, and configure it using the relevant command.

Table 2.6 Timing of Automatic Network Settings Execution (Servers)

| Target            | Operation                                       | Virtual Switch (Creation/VLAN Settings) | L-Server (IP Address Settings for OS) |
|-------------------|---|---|---------------------------------------|
| Network resources | Creation  | -                                       | -                                     |
|                   | Modification                                    | -                                       | -                                     |
|                   | Deletion  | Yes                                     | -                                     |
|                   | Automatic network configuration                 | Yes (*1)                                | -                                     |
|                   | Pool migration                                  | -                                       | -                                     |
| VM pool           | Registering to pools                            | Yes (*1)                                | -                                     |
| Network pool      | Tenant migration                                | -                                       | -                                     |
| Network devices   | Creation  | -                                       | -                                     |
|                   | Modification                                    | -                                       | -                                     |
|                   | Deletion  | -                                       | -                                     |
| Virtual L-Server  | Creation  | Yes (*1)                                | Yes                                   |
|                   | Modification                                    | -                                       | -                                     |
|                   | Addition of NICs                                | Yes (*1)                                | -                                     |
|                   | Deletion of NICs                                | -                                       | -                                     |
|                   | Modification of connection destination networks | Yes (*1)                                | -                                     |
|                   | Deletion  | -                                       | -                                     |
| Physical L-Server | Creation  | -                                       | Yes (*2)                              |
|                   | Modification                                    | -                                       | Yes (*3)                              |
|                   | Deletion  | -                                       | -                                     |
| L-Platform        | Creation  | Yes (*1) (*4)                           | Yes                                   |
|                   | Modification                                    | Yes (*1) (*4)                           | -                                     |
|                   | Deletion  | -                                       | -                                     |

Yes: Available

-: Not available

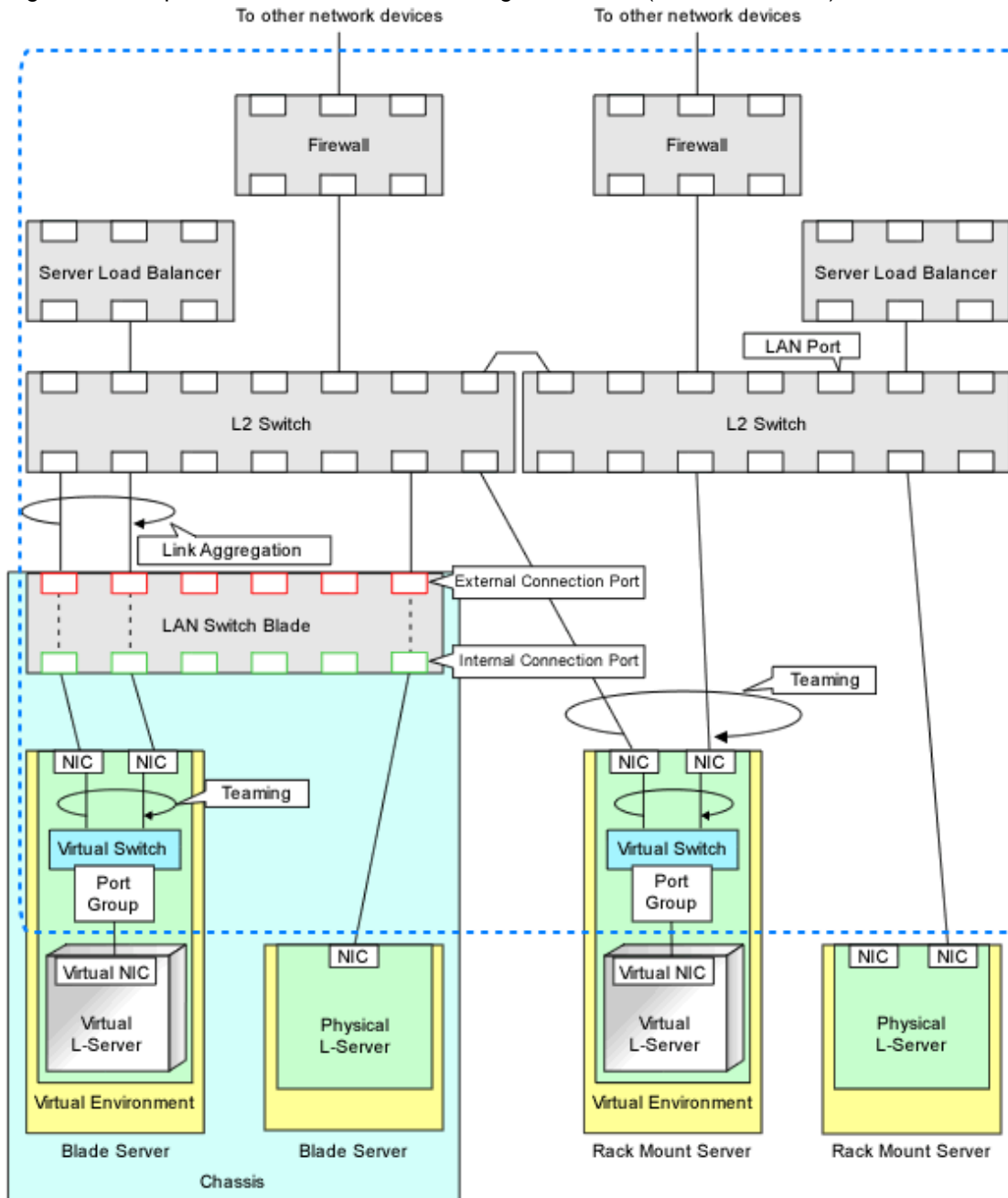


- \*1: Available when using rack mount servers and physical LAN segments have been specified.
- \*2: Requires a script that configures an IP address for the OS.
- \*3: The IP address is configured or modified when the network resource is modified.
- \*4: Available when using virtual L-Servers.

### 2.2.7.2 Scope of Automatic Network Settings

The simplifying network settings will be executed for the following scope.

Figure 2.4 Scope of Automatic Network Settings Execution (For L2 Switches)




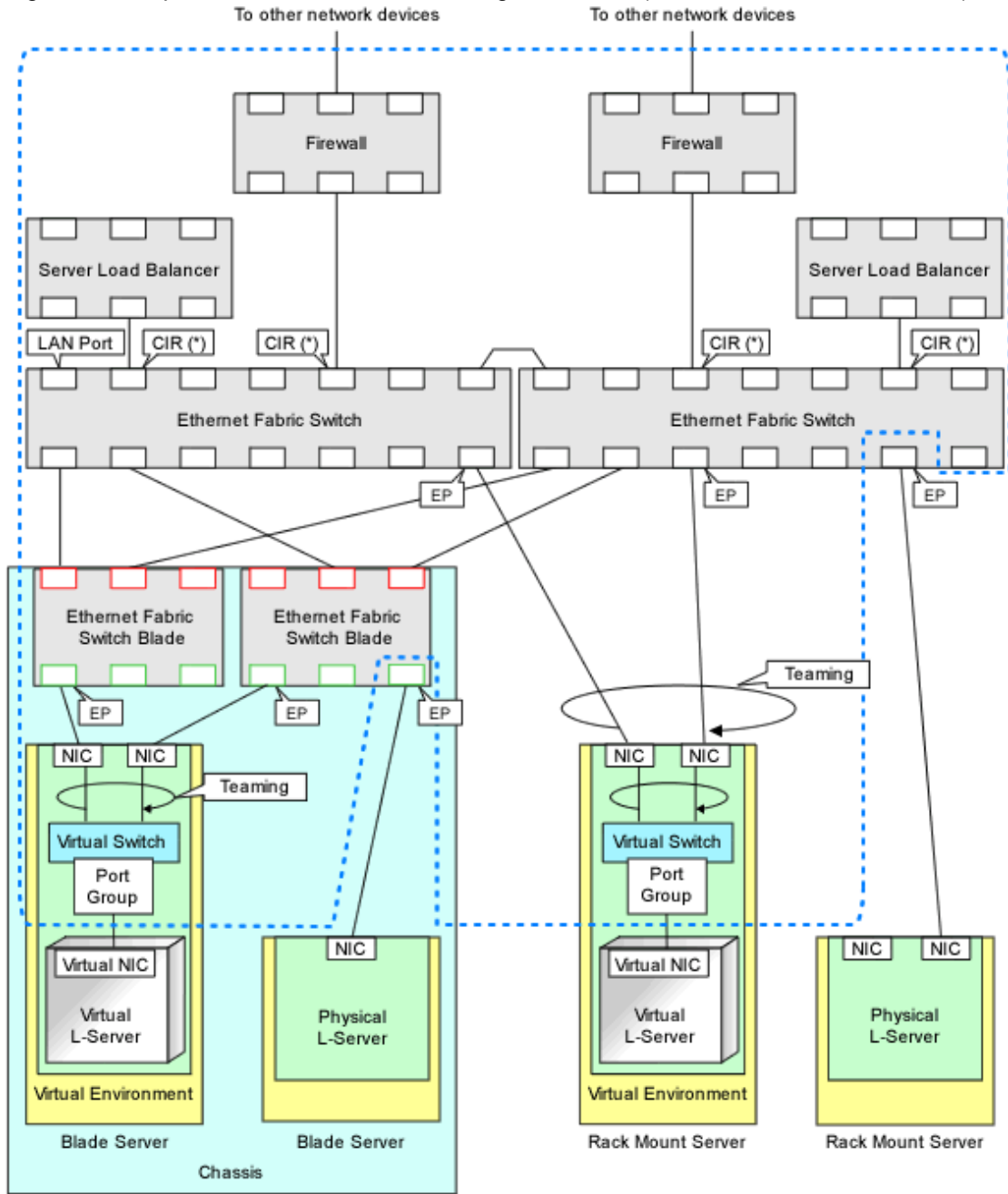

 : The scope that can be automatically configured by Resource Orchestrator

Figure 2.5 Scope of Automatic Network Settings Execution (For Ethernet Fabric Switches)



 : The scope that can be automatically configured by Resource Orchestrator

CIR: Clean Interface with Redundancy (Port that connects to an external device)

EP: End Point (Port that connects with the server)

\*Note: CIR is not automatically configured.

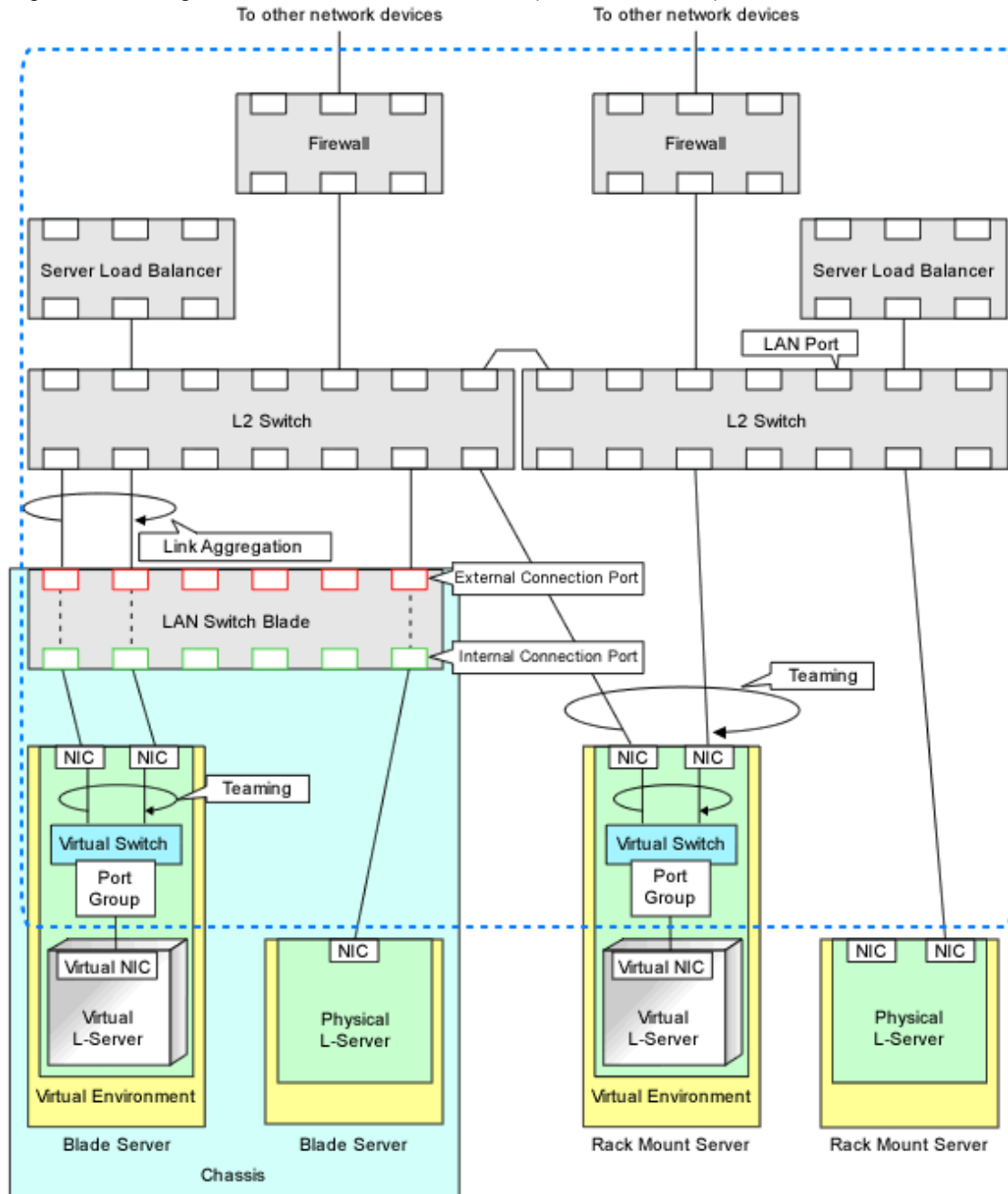
For details on automatic network settings for virtualized environments, refer to the relevant sections explaining how to prepare and setup server virtualization software in "Chapter 8 Configuration when Creating Virtual L-Servers" in the "Setup Guide CE".

### 2.2.7.3 Hiding Network Information

The following network information is hidden, depending on the network resource.

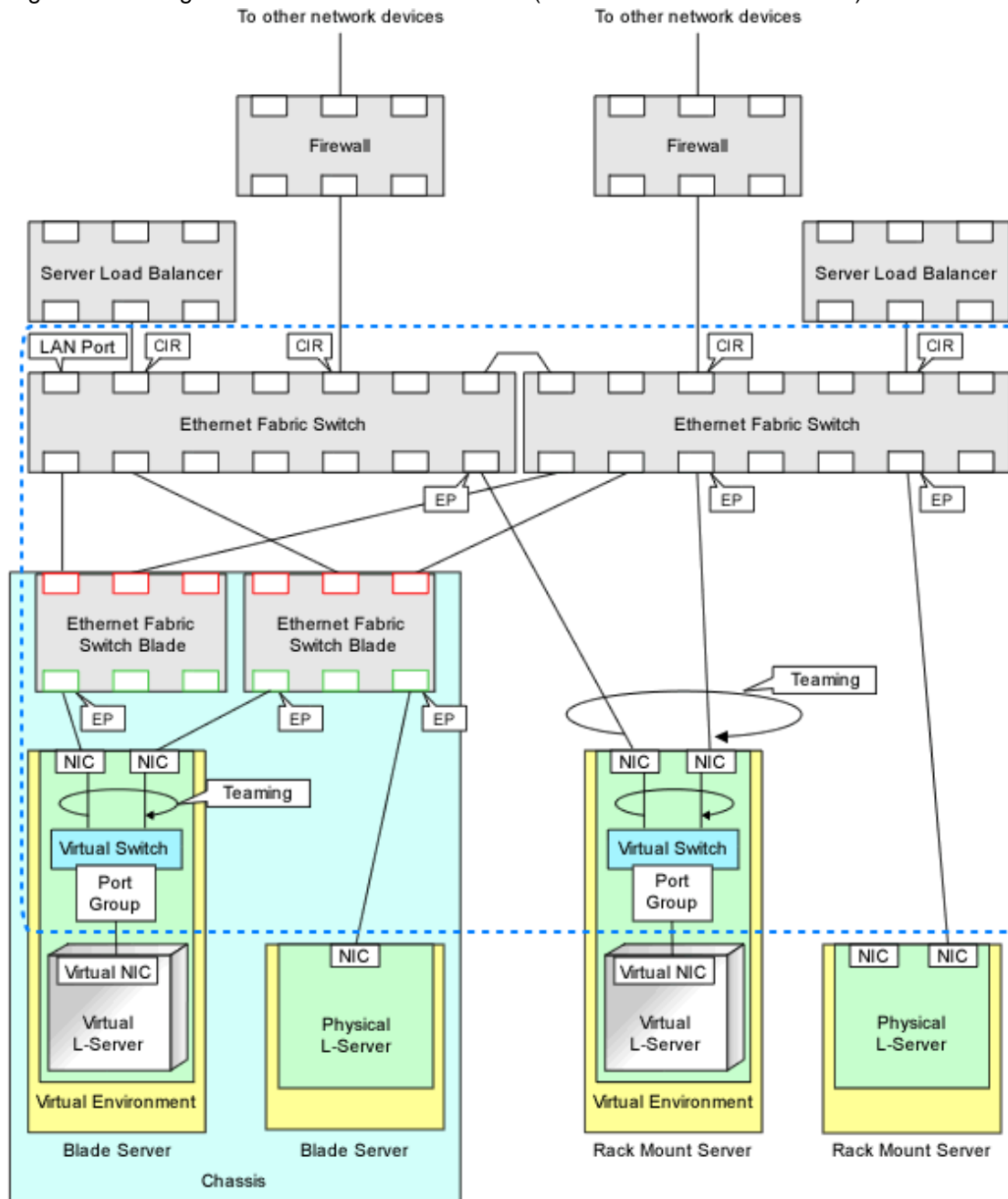
- Virtual Switches
- Port Groups
- LAN Switch Blades
- L2 Switches
- Ethernet Fabric Switches


Figure 2.6 Hiding of Network Device Information (For L2 Switches)



: Scope of hiding by network resources

Figure 2.7 Hiding of Network Device Information (For Ethernet Fabric Switches)



 : Scope of hiding by network resources

CIR: Clean Interface with Redundancy (Port that connects to an external device)

EP: End Point (Port that connects with the server)

#### 2.2.7.4 Network Device Automatic Configuration

There are two types of modes for auto-configuration of network devices.

- User Customization Mode

Firewalls, server load balancers, and L2 switches are the targets.

- Simple configuration mode

Firewalls (NSAppliance) and server load balancers (NSAppliance) are the targets.

## Information

When performing auto-configuration of NS Appliances, it is recommended to use simple configuration mode. Regarding the selection criteria for which method to use, refer to "2.1.3 Designing the L-Platform Network Environment" in the "NS Option Instruction".

## User Customization Mode

The infrastructure administrator creates the ruleset necessary to configure the definitions for the network devices (firewalls, server load balancers, and L2 switches), and registers it in Resource Orchestrator.

In Resource Orchestrator, perform auto-configuration for the target network devices using the ruleset registered by the infrastructure administrator.

For details on preparation for auto-configuration using user customization mode, refer to "[Appendix F Preparing for Automatic Configuration and Operation of Network Devices](#)".

For details on operation image of modifying configuration of firewalls using user customization mode, refer to "When an L-Platform that uses a firewall is deployed with the use of a ruleset" in "8.3.9 Setup Firewall" in the "User's Guide for Tenant Administrators CE" or "5.3.8 Setup Firewall" in the "User's Guide for Tenant Users CE".

For details on the operation image of modifying configuration of firewalls using user customization mode, refer to "8.3.11.2 When an L-Platform that Uses a Server Load Balancer (SLB) Is Deployed Using a Ruleset" in the "User's Guide for Tenant Administrators CE" or "5.3.10.2 When an L-Platform that Uses a Server Load Balancer (SLB) Is Deployed Using a Ruleset" in the "User's Guide for Tenant Users CE".

## Simple configuration mode

The infrastructure administrator is not required to create the rulesets necessary for configuring definitions for network devices (firewalls and server load balancers) in advance.

In Resource Orchestrator, it is possible to easily perform auto-configuration by using the defined definitions.

Simple configuration mode enables deployment of L-Platforms using firewalls and server load balancers, without using rulesets.

For details on the logical network configuration realized using simple configuration mode, the target devices, or configuration details, refer to "[Appendix I Auto-configuration and Operations of Network Devices Using Simple Configuration Mode](#)".

When using simple configuration mode, the virtual IP addresses used for address translation functions of firewalls (public addresses) can be managed, and the IP addresses can be allocated to the L-Platform automatically. When using this function, it is necessary to create the address set resources of global IP addresses.

For details, refer to "14.6 Address Set Resources" in the "User's Guide for Infrastructure Administrators (Resource Management) CE".

For details on operation image of modifying configuration of firewalls using simple configuration mode, refer to "When an L-Platform that uses a firewall is deployed without the use of a ruleset" in "8.3.9 Setup Firewall" in the "User's Guide for Tenant Administrators CE" or "5.3.8 Setup Firewall" in the "User's Guide for Tenant Users CE".

For details on the operation image of modifying configuration of server load balancers using simple configuration mode, refer to "8.3.11.1 When an L-Platform that Uses a Server Load Balancer (SLB) Is Deployed Without Using a Ruleset" in the "User's Guide for Tenant Administrators CE", or "5.3.10.1 When an L-Platform that Uses a Server Load Balancer (SLB) Is Deployed Without Using a Ruleset" in the "User's Guide for Tenant Users CE".

## Auto-configuration Timing and Images

This section explains auto-configuration timing and images.

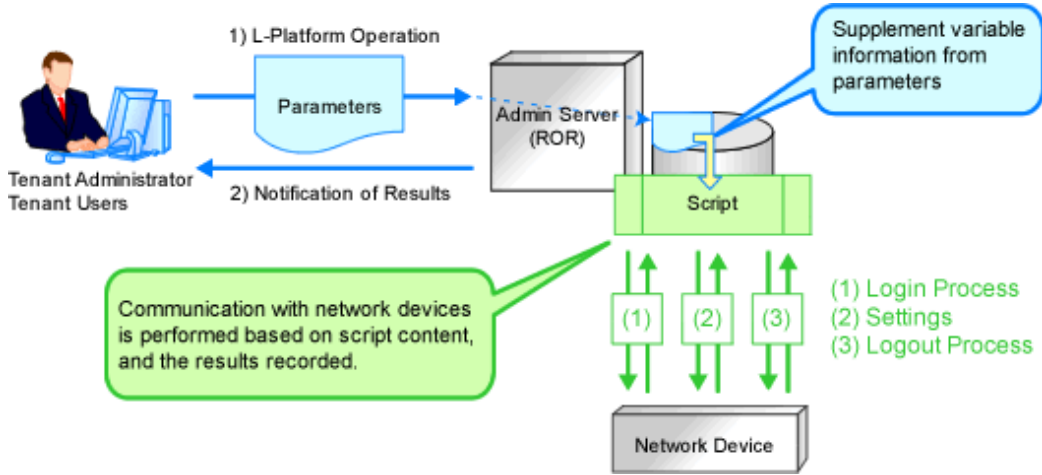
- Automatic configuration of firewalls and server load balancers when creation, modification, or deletion of an L-Platform is performed

The detailed timing is as follows:

- When an L-Platform is created from an L-Platform template that includes a network device (firewall or server load balancer)
- When L-Server addition or deletion is performed for an L-Platform
- When the settings of a network device (firewall or server load balancers) in an L-Platform are modified

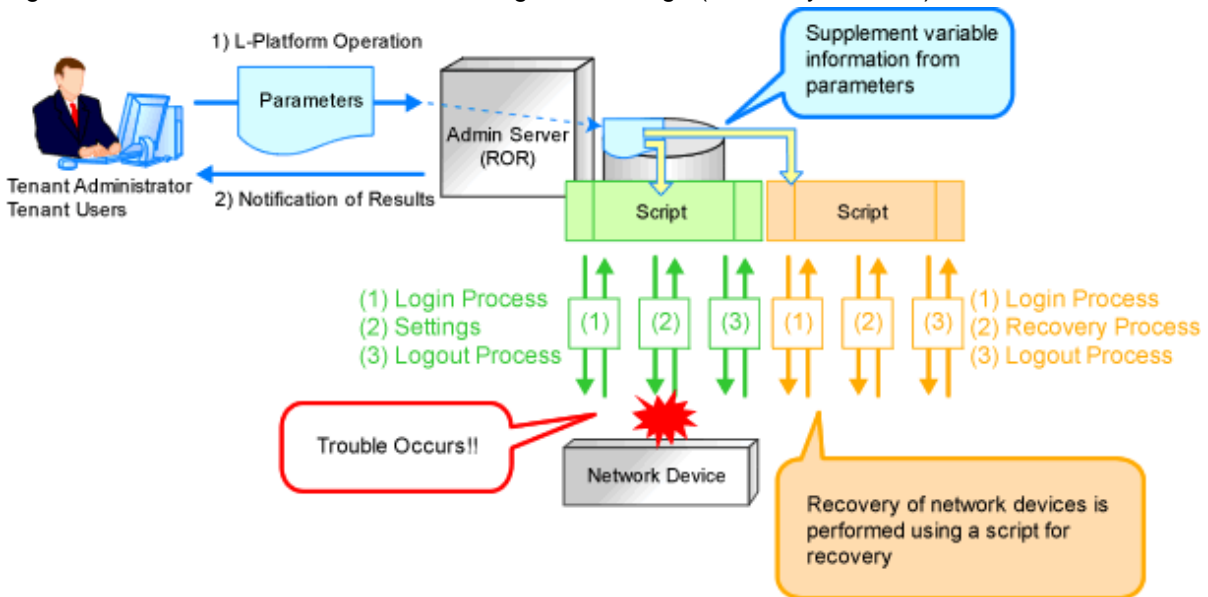
- When an L-Platform created from an L-Platform template that includes a network device (firewall or server load balancer) is deleted
- Automatic configuration for L2 switches when creation, modification, or deletion of a network resource is performed
- Automatic configuration for L2 switches when creation or modification of a physical L-Server is performed on rack mount servers

Figure 2.8 Network Device Automatic Configuration Image



Recovery (deletion of incomplete settings, etc.) of network devices can be performed by preparing a recovery script in advance in case automatic configuration of network devices fails.

Figure 2.9 Network Device Automatic Configuration Image (Recovery Process)



### 2.2.7.5 Network Device Configuration File Management

The following files are available as network device (firewall, server load balancer and L2 Switch) configuration files.

- Network Device Configuration Files

A configuration file containing settings related to communication, such as address and VLAN information of devices and interfaces, and rules for firewalls and server load balancers

- Network Device Environment Files

Files required for the operation of devices such as CA certificates, user authentication databases and user customized information (excluding network device configuration files)

In this product, a function that manages device configuration files using generations is provided. Using this function modification changes can be checked and restoration of configurations can be performed easily when network devices are exchanged.

The following features are provided by the network device configuration file management function.

- Backing up and restoration of configuration files

Network device configuration files can be backed up by this product and managed using generations. Further, the latest configuration files that have already been backed up can be restored to network devices.

- Export of configuration files

The files that are backed up and managed using generations can be exported from the manager.

- Backing up and restoration of environment files

Network device configuration files can be backed up to this product. Further, backed up environment files can be restored to network devices.

- Export of environment files

The backed up files can be exported to the infrastructure admin's terminal.

- Registration of external server information

For network devices which do not have an ftp server, the information of an external ftp server, which is used for backing up and restoration of network devices, can be registered.

Specify this external server in the network configuration information (XML definition) file when registering the network device.

## 2.2.7.6 Simple Network Monitoring

This section provides a brief overview of simple network monitoring.

### Visualize Networks (NetworkViewer Function)

Resource Orchestrator provides NetworkViewer, which helps visualize and relate logical networks (within L-Servers and L-Platforms) and physical and virtual networks (comprised of servers, network devices, VLANs, and virtual switches). It has the following features.

- Visualizes connection relationship (topology) and link statuses regardless of the type of the network device or the server virtualization software.
- Visualizes the connection relationships of L-Platforms and L-Servers.
- Facilitates the checking of relationships between resources and L-Platforms or L-Servers.
- Facilitates consistency between the physical and virtual networks and the logical network, and also identification of the resources affected by a network issue.
- Displays comprehensive content that can be used in communication between server and network administrators, thus smoothing out coordination between the two parties.

For details on NetworkViewer, refer to "Chapter 11 NetworkViewer" in the "User's Guide for Infrastructure Administrators (Resource Management) CE".



#### Note

For VMware virtual switches, network links are only displayed when using the standard switches.

When using switches other than the standard switches, such as distributed virtual switches, those virtual switches and the network links are not displayed.

## Status Monitoring

Resource Orchestrator monitors the status of network devices (Firewalls, server load balancers, and L2 switches) in order to automatically perform network settings for them.

## 2.2.8 Simplifying Storage

---

This section provides a brief overview of simplified storage setup.

When preparing physical servers and virtual machines, it was difficult to smoothly provide servers as the configuration of storage units and the storage network was necessary.

Resource Orchestrator enables quick allocation of storage through coordination with storage management software or VM management software.

In this product, the following two storage resources are managed.

- Virtual Storage Resources

Virtual storage resource indicates the following resources.

When storage management software is registered to Resource Orchestrator, the storage information controlled by the storage management software is automatically obtained and detected as a virtual storage resource. Virtual storage resources do not need to be individually registered as resources.

The resources can be managed as virtual storage resources using the same operations.

- For physical servers

- An original resource used to create LUN such as ETERNUS RAID groups or NetApp aggregates on storage units

- For VM

- A file system for creation of VMs and virtual disks such as datastores of VMware, shared volumes for clusters of Hyper-V, or storage repositories of OVM for x86

- Disk Resources

A disk resource refers to a disk resource allocated to a server.

For disk resources created in advance such as LUNs, storage information is automatically obtained when storage management software is registered, and they are detected as disk resources. Therefore, it is not necessary to register disk resources individually.

- For physical servers

- When using ETERNUS storage, NetApp storage, EMC CLARiiON, and EMC VNX

- LUN (Logical Unit Number)

- When using EMC Symmetrix DMX or EMX Symmetrix VMAX

- Device

- For Storage Server on which FalconStor NSS operates

- Virtual Device

- For VM

- Virtual Disk

## Allocation of Storage to an L-Server

In Resource Orchestrator, use the following procedure to allocate a disk resource to an L-Server:

- Method involving allocation of disk resources with specified sizes that have been automatically created by this product from storage resources (Automatic generation from virtual storage)



- Method involving allocation of disk resources that have been created in advance using storage management software to L-Servers (Creation of disk resources in advance)

The allocation strategy on storage differs depending on the type of the L-Server and the storage device used.

- Allocating Storage to a Physical L-Server

For details, refer to "[Allocating Storage to a Physical L-Server](#)".

The following storage allocation methods and storage types are available for physical L-Servers.

**Table 2.7 Storage Allocation Methods and Storage Types for Physical L-Servers**

| Allocation Method  | Storage Type   |
|--|--|
| Allocate disk resources automatically created from virtual storage resources | <ul style="list-style-type: none"> <li>- ETERNUS Storage</li> <li>- NetApp FAS Storage</li> </ul>  |
| Allocate disk resources that were created in advance                         | <ul style="list-style-type: none"> <li>- ETERNUS Storage</li> <li>- NetApp FAS Storage</li> <li>- EMC CLARiiON Storage</li> <li>- EMC VNX Storage</li> <li>- EMC Symmetrix DMX Storage</li> <li>- EMC Symmetrix VMAX Storage</li> <li>- Storage Server on which FalconStor NSS operates</li> </ul> |

- Allocating Storage to a Virtual L-Server

For details, refer to "[Allocating Storage to a Virtual L-Server](#)".

Storage Allocation Methods and Storage Types and Server Virtualization Types for Virtual L-Servers are as follows.

**Table 2.8 Storage Allocation Methods and Storage Types and Server Virtualization Types for Virtual L-Servers**

| Allocation Method  | Storage Type   |
|--|--|
| Allocate disk resources automatically created from virtual storage resources | <ul style="list-style-type: none"> <li>- VMware</li> <li>- Hyper-V</li> <li>- OVM for x86</li> <li>- RHEL5-Xen</li> <li>- KVM</li> <li>- Solaris Zones (Solaris 11)</li> </ul> |
| Allocate disk resources that were created in advance                         | <ul style="list-style-type: none"> <li>- KVM</li> <li>- Solaris Zones (Solaris 10)</li> <li>- OVM for SPARC</li> </ul>   |

## Supported Storage Configurations

For the storage units that can be connected with physical L-Servers, refer to "Table: Storage Units that can Be Connected with L-Servers on Physical Servers" in "6.2.3 Cloud Edition" in the "Overview".

For supported storage for Virtual L-Servers, refer to the following:

[VMware]

Refer to "[Supported Storage Configurations](#)" in "[E.1.3 Storage Preparations](#)".

[Hyper-V]

Refer to "[Supported Storage Configurations](#)" in "[E.2.3 Storage Preparations](#)".

[Xen]

Refer to "[Supported Storage Configurations](#)" in "[E.3.3 Storage Preparations](#)".

[OVM for x86 2.2]

Refer to "[Supported Storage Configurations](#)" in "[E.4.3 Storage Preparations](#)".

[KVM]

Refer to "[Supported Storage Configurations](#)" in "[E.5.3 Storage Preparations \(SAN Configurations\)](#)".

[Solaris Zones]

Refer to "[Supported Storage Configurations](#)" in "[E.6.3 Storage Preparations](#)".

[OVM for SPARC]

Refer to "[Supported Storage Configurations](#)" in "[E.7.3 Storage Preparations](#)".

## Effective Utilization of Storage Using Thin Provisioning

Thin provisioning is technology for virtualizing storage capacities.

In Resource Orchestrator, efficient use of storage is achieved by the following two methods.

- Method using the thin provisioning of a storage unit
- Method using the thin provisioning of server virtualization software

For details, refer to "[Effective Utilization of Storage Using Thin Provisioning](#)".

## Effective Utilization of Storage Using Automatic Storage Layering

Automatic Storage Layering is a feature that monitors data access frequency in mixed environments that contain different storage classes and disk types. It then automatically relocates data to the most appropriate storage devices based on set data usage policies.

Resource Orchestrator can be coordinated with Automatic Storage Layering for ETERNUS storage.

For details, refer to "[Effective Utilization of Storage Using Automatic Storage Layering](#)".

## 2.2.9 I/O Virtualization

---

I/O adapters (HBA) for servers are shipped with an assigned physical address that is unique across the world. This World Wide Name (WWN) is used by the storage network to identify servers. Until now, the WWN settings on storage networks needed to be updated whenever servers were added, replaced, or switched over. Resource Orchestrator uses I/O virtualization technology that makes server-side I/O control possible. It does this by replacing physically-bound WWNs with virtual WWNs assigned to each server based on its role in the system. Resource Orchestrator can handle different I/O virtualization technologies (VIOM, ISM, and HBA address rename).

With VIOM or ISM, the ability to re-define MAC addresses of network interfaces, boot configuration, and network configuration means that it is no longer necessary to reconfigure network devices or applications that depend on MAC address values.



### Note

- The "I/O virtualization option" is required when using HBA address rename.
- ServerView Virtual-IO Manager should be installed on the admin server when integrating Resource Orchestrator with VIOM.
- When coordinating with ISM, install the ServerView Infrastructure Manager virtual appliance on a server other than the admin server.

## 2.2.10 Tenant

---

This section explains tenants.

You may want to share some resources between departments in case of future changes or faults while maintaining the segregation of resources for each department.

A tenant is the unit for division of management and operation of resources based on organizations or operations.

An L-Platform and an exclusive resource pool for each tenant are stored in a tenant. The exclusive resource pool for each tenant is called a local pool.

There are resource pools which can be used by multiple tenants including local pools. These resource pools are called global pools.

Resources can be divided and used effectively by tenants using local pools and global pools.

For details, refer to "[Chapter 6 Defining Tenants and Resource Pools](#)".

For creating, modifying, and deleting tenants, refer to "Chapter 11 Tenant" in the "User's Guide for Infrastructure Administrators CE".

## 2.2.11 High Availability of Managed Resources

---

The function allows failed applications to automatically be recovered onto an available spare server by pre-allocating spare servers to managed servers.

Depending on the server's boot method, one of the three following switchover methods can be used to recover applications on a spare server:

- HBA address rename

This method is used in SAN boot environments where servers start from boot disks located in SAN storage arrays. If the primary server fails, its World Wide Name (WWN) is inherited by the spare server, which then automatically starts up from the same SAN disk. This is made possible by the I/O virtualization (\*) capabilities of the HBA address rename function, which is able to dynamically reconfigure the WWN of an I/O adapter (HBA).

\* Note: Refer to "[2.2.9 I/O Virtualization](#)".

- Profile exchange

This method is used in environments where servers start from boot disks located in SAN storage arrays or on a storage device connected to the LAN. If the primary server fails, the World Wide Name (WWN), MAC address, boot configuration, and network configuration set in its profile in advance using I/O virtualization using VIOM or ISM are inherited by the spare server, which then automatically starts up from the same boot disk.

For details on profiles, refer to the manuals of ServerView Virtual-IO Manager or ServerView Infrastructure Manager.

\* Note: Refer to "[2.2.9 I/O Virtualization](#)".

- Storage affinity switchover method

This method is used in environments where SPARC M10/M12 and SPARC Enterprise servers start from boot disks located in SAN storage arrays. When a primary server fails in a SAN boot environment, changing the following configuration using storage management software enables access and startup from the same boot disk. When HBA WWNs are fixed, reconfiguring storage devices enables continuation of operations.

- Zoning settings for the Fibre Channel switches connected to servers
- Host affinity settings for storage CAs

\* Note: Refer to "[8.1.6 Settings when Switching Over SPARC M10/M12 or SPARC Enterprise Servers](#)".

For the configurations for each redundancy method, refer to "Table: Functions Available for Each Target Operating System" in "2.2 Function Overview" in the "Design Guide VE".

The following LAN switch settings can also be exchanged between primary and spare servers during server switchover.

- VLAN
- Port groups (For PRIMERGY BX900/BX400 LAN switch blades operating in IBP mode)

Several servers can share one or more common spare servers, irrespective of the kind of servers used (physical or virtual), or the applications that are running on them.

Spare servers can also be shared between physical and virtual servers. This is done by combining Auto-Recovery with the high availability feature provided with the server virtualization software used.

Note that the Auto-Recovery function differs from clustering software (such as PRIMECLUSTER) in the following respect:

- Server failure detection

The Auto-Recovery function can detect hardware failures using server management software (such as ServerView Agents) and server management devices (management blades, management boards, or remote management controllers). It cannot detect system slowdowns.

## **2.2.12 Disaster Recovery**

---

Resource Orchestrator provides simple and highly reliable Disaster Recovery.

For details, refer to the "DR Option Instruction".

## **2.3 Functional Differences Depending on Product**

---

For details, refer to "1.3 Functional Differences Depending on Product" in the "Overview".

## **2.4 Software Environment**

---

For details, refer to "6.1 Software Environment" in the "Overview".

## **2.5 Hardware Environment**

---

For details, refer to "6.2 Hardware Environment" in the "Overview".

## **2.6 System Configuration**

---

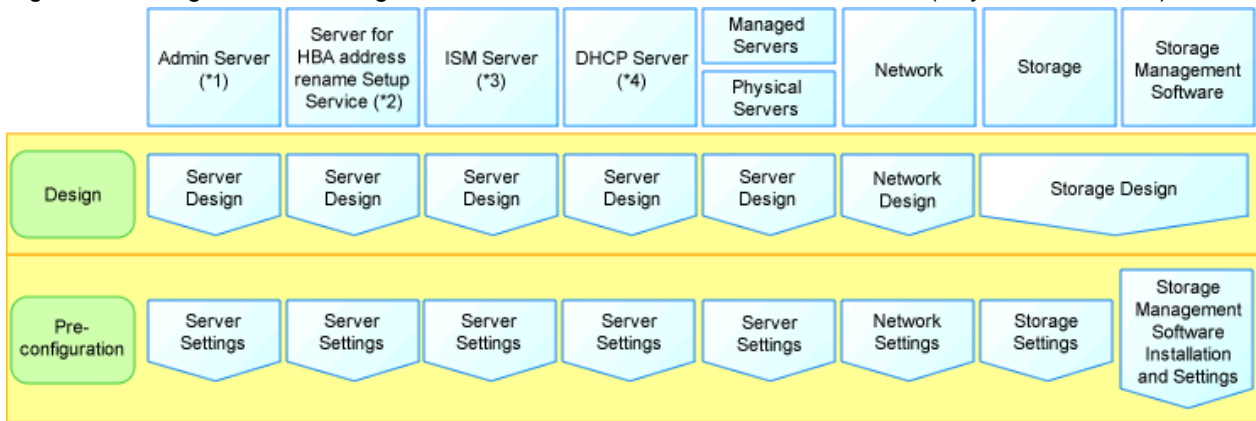
For details, refer to "[Chapter 4 System Configuration Design](#)".

# Chapter 3 Flow of Resource Orchestrator Design and Preconfiguration

This chapter explains the flow of Resource Orchestrator Design and Preconfiguration.

The flows for physical L-Servers and virtual L-Servers are different.

Figure 3.1 Design and Preconfiguration for Resource Orchestrator Installation (Physical L-Servers)



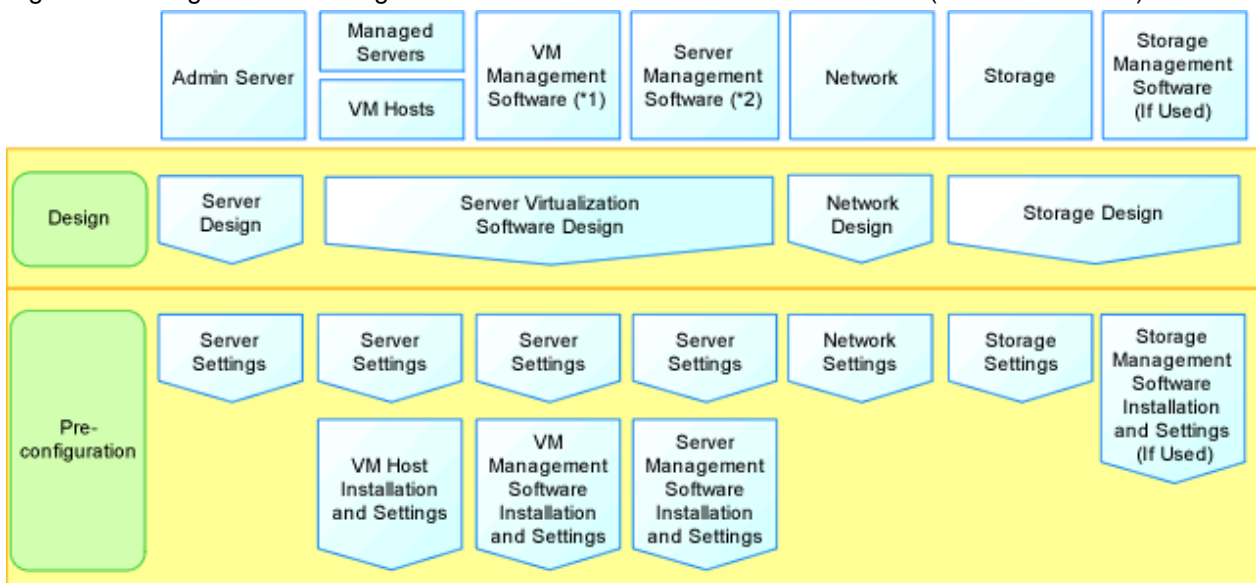
\*1: When creating a physical L-Server using a blade server, installation of VIOM is necessary. When using rack mount servers that are supported by VIOM, installation of VIOM is necessary.

\*2: Necessary when creating a physical L-Server using a rack mount or tower server.

\*3: Necessary when using I/O virtualization using ISM.

\*4: Necessary when using PXE boot in ISM.

Figure 3.2 Design and Preconfiguration for Resource Orchestrator Installation (Virtual L-Servers)



\*1: When using VMware, Hyper-V, or OVM for x86 2.2, OVM for x86 3.x, server management software is necessary.

\*2: When using Solaris Zones (Solaris 10) and OVM for SPARC, server management software is necessary.

## Resource Orchestrator Setup Design

Design the following content when installing this product.

- System Configuration Design

For details, refer to "Chapter 4 System Configuration Design".

- Defining User Accounts

For details, refer to "[Chapter 5 Defining User Accounts](#)".

- Defining Tenants and Resource Pools

For details, refer to "[Chapter 6 Defining Tenants and Resource Pools](#)".

- When Using Converged Fabrics

Designing of tenants may be required because they are managed in a different way from the other network devices.

For details, refer to "[H.1 Fujitsu PRIMERGY Converged Fabric Switch Blade \(10 Gbps 18/8+2\) and Fujitsu Converged Fabric Switch](#)".

- When Using IPCOM VX/VA

Designing of tenants may be required because they are managed in a different way from the other network devices.

For details, refer to "[Appendix J IPCOM VX Series Devices](#)".

- Defining High Availability and Disaster Recovery

Refer to "[Chapter 7 Defining High Availability and Disaster Recovery](#)".

- Defining the Server Environment

Define the server environment to manage with the admin server and this product.

For details, refer to "[8.1 Defining the Server Environment](#)".

- Defining the Network Environment

For details, refer to "[Chapter 9 Defining and Configuring the Network Environment](#)".

- Deciding the Storage Environment

For details, refer to "[10.1 Deciding the Storage Environment](#)".

- Deciding Server Virtualization Software

Decide the server virtualization software to manage with this product.

For details, refer to "[11.1 Deciding Server Virtualization Software](#)".

- Installing and Defining Single Sign-On

Deciding whether Single Sign-On is to be used, and its environment.

Refer to "[Chapter 12 Configuring Single Sign-On](#)".

- Deciding the Power Monitoring Environment

For details, refer to "[13.1 Deciding the Power Monitoring Environment](#)".

## **Preconfiguration for a Resource Orchestrator Installation**

Preconfiguration is necessary before the manager of this product is installed.

Perform it according to the following procedure.

- Configuring the Server Environment

The server environment managed with the admin server and this product is set.

Refer to "[8.2 Configuring the Server Environment](#)".

- Configuring the Network Environment

For details, refer to "[Chapter 9 Defining and Configuring the Network Environment](#)".

- Configuring the Storage Environment

For details, refer to "[10.2 Configuring the Storage Environment](#)".

- Settings for Server Virtualization Software

Set the server virtualization software managed with this product.

For details, refer to "[11.2 Configuring Server Virtualization Software](#)".

- Configuring Single Sign-On

In order to use Single Sign-On, configure the Single Sign-On environment.

Refer to "[Chapter 12 Configuring Single Sign-On](#)".

- Configuring the Power Monitoring Environment

For details, refer to "[13.2 Configuring the Power Monitoring Environment](#)".

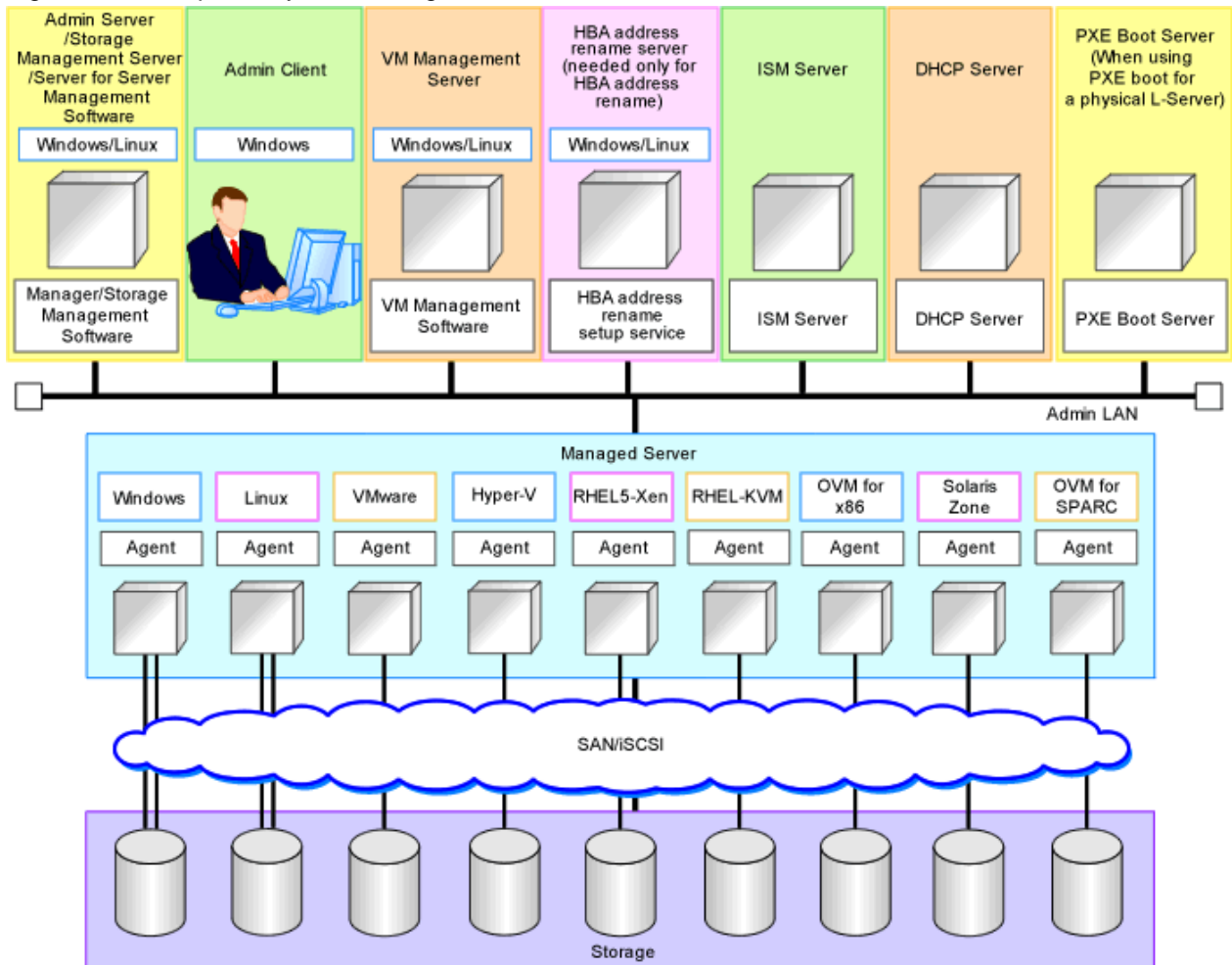
# Chapter 4 System Configuration Design

This chapter explains how to design a system configuration.

## Example of System Configuration

This section provides an example of a Resource Orchestrator system configuration.

Figure 4.1 Example of System Configuration



### Admin Server

The admin server is a server used to manage several managed servers.

The admin server operates in a Windows or Linux environment. An admin server can be operated on VMware and Hyper-V virtual machines.

The Resource Orchestrator manager should be installed on the admin server. The admin server can be made redundant by using clustering software. It can also be standardized with the admin client.

The Resource Orchestrator agent cannot be installed on the admin server to monitor and manage the admin server itself.

It is possible to configure the admin server on a VM guest and manage the VM host on which the VM guest operates.

For the VM guest on which the admin server is running, set the server role (Manager).

For details, refer to "9.10 Changing Server Roles" in the "User's Guide VE".





Also install ServerView Virtual-IO Manager when creating physical L-Servers using blade servers.

[VMware]

Register VMware ESXi as the target in ServerView Operations Manager when using VMware ESXi.

[Hyper-V]

When using Hyper-V on managed servers, the only supported OS of the admin server is Windows.

[Xen]

When using RHEL5-Xen on managed servers, the only supported OS of the admin server is Linux.

## Managed Server

Managed servers are the servers used to run applications. They are managed by the admin server.

Managed servers are primary servers operating in the following environments.

- Windows Environments
- Linux Environments
- Solaris Environments
- Server Virtualization Software Environments

For details on the types of server virtualization software, refer to "[11.1 Deciding Server Virtualization Software](#)".

Install agents on managed servers.

In server virtualization environments, the agent should only be installed on the VM host.



When using VMware ESXi, there is no need to install Resource Orchestrator agents on managed servers because VMs and guest OSs are managed directly from the admin server.

Install ServerView ESXi CIM Provider.

When using VMware ESXi on another vendor's servers or when not using ServerView ESXi CIM Provider on VMware ESXi on Fujitsu rack mount servers, perform the definition is "[8.1.5 Definition Files when Creating a Virtual L-Server Using VMware ESXi on Another Vendor's Servers or when Creating Virtual L-Servers without Using ServerView ESXi CIM Provider on VMware ESXi on Fujitsu Rack Mount Servers](#)" in the "Setup Guide CE".

[Windows]

- Depending on the domain type, there may be cases in which backup and restore, cloning, and server switchover using the backup and restore method cannot be used, or additional operations on managed servers are necessary.

Table 4.1 Function Restrictions Based on Domain Type

| Domain Type        | Backup and Restore | Cloning      | Server Switchover Using Backup and Restore |
|--------------------|--------------------|--------------|--|
| Domain controller  | No                 | No           | No   |
| Member server (*1) | Yes (*2)           | Yes (*2, *3) | Yes (*2, *4)                               |
| Workgroup          | Yes                | Yes          | Yes  |

Yes: Use possible.

No: Use not possible.

\*1: Member servers of Windows NT domains or Active Directory.

\*2: After performing operations, it is necessary to join Windows NT domains or Active Directory again.

\*3: Before obtaining cloning images, ensure that the server is not a member of a Windows NT domain or Active Directory.

\*4: When switchover has been performed using Auto-Recovery, join Windows NT domains or Active Directory again before starting operations.

- When the domain type is domain controller, agents cannot be installed while the status promoted to domain controller.
- When the domain type is member server or work group, agents can be installed when logged in using a local account that belongs to the Administrators group.

## Admin Client

Admin clients are terminals used to connect to the admin server, which can be used to monitor and control the configuration and status of the entire system.

Admin clients should run in a Windows environment.

Install Web browsers on admin clients.

If a server virtualization software client is installed on an admin client, the software can be started from the client screen of Resource Orchestrator.

## Storage Management Server

A server on which storage management software that manages multiple storage units has been installed.

Sharing with the admin server differs depending on the storage in use.

- When using ETERNUS storage
  - Operate ETERNUS SF Storage Cruiser in the same environments as the admin server.  
Note that resources for both the admin and storage management software servers are required when operating the servers together.
  - Operate the ETERNUS SF AdvancedCopy Manager Copy Control Module in the same environment as the admin server.

- When using NetApp storage

In Resource Orchestrator, Data ONTAP can be used as storage management software, but a server for storage management software is not necessary, as Data ONTAP is an OS for NetApp storage.

- When using EMC CLARiiON storage or EMC VNX storage

In Resource Orchestrator, Navisphere can be used as storage management software, but no server is necessary for storage management software, as Navisphere operates on the Storage Processor (hereinafter SP) of EMC CLARiiON storage or EMC VNX storage.

- When using EMC Symmetrix DMX storage or EMC Symmetrix VMAX storage

In Resource Orchestrator, Solutions Enabler can be used as storage management software. Servers for storage management software can be operated on the same computer as the admin server, but the storage management software must be connected to EMC Symmetrix DMX storage or EMC Symmetrix VMAX storage using FC-HBA. Note that resources for both the admin and storage management software servers are required when operating the servers together.

- When using Storage Server on which FalconStor NSS operates

In Resource Orchestrator, FalconStor NSS can be used as storage management software. Install FalconStor NSS on the Storage Server. FalconStor NSS cannot be installed on the admin server.

## VM Management Server

A server on which VM management software to integrate multiple server virtualization software products has been installed.

For details on the VM management software which can be registered in Resource Orchestrator, refer to "5.2 Registering VM Management Software" in the "User's Guide for Infrastructure Administrators (Resource Management) CE".

The VM management server can be operated on the same machine as the admin server.

Note that resources for both the admin and VM management servers are required when operating the servers together.

## Server Management Server

A server on which server management software that manages multiple servers has been installed.

- When using BMC BladeLogic Server Automation [Solaris Zones] [OVM for SPARC]
  - Necessary when using the functions with "Yes (\*)" described in "[Table 11.6 Functional Differences Depending on Server Virtualization Software](#)" in "[Chapter 11 Deciding and Configuring Server Virtualization Software](#)".
  - Can be placed on the same server as the manager (recommended) or on another server.

When operating managers in clusters, place it on a different server.

## SMTP Server

An SMTP server is necessary to send notification to users using e-mail.

It can be placed on the same server as an admin server or on another server.

## ISM Server

A server on which the functions of ISM operate.

This server is necessary when using I/O virtualization using ISM.

ISM is provided as a virtual appliance.

When using PXE boot while coordinating with ISM, configuration of a DHCP server is also necessary.

For details, refer to "6.2 Settings for ISM Coordination" in the "Setup Guide CE".

## DHCP Server

Necessary when both of the following apply:

- You are using I/O virtualization using ISM
- You are using PXE boot in ISM

For details, refer to "6.2 Settings for ISM Coordination" in the "Setup Guide CE".

## PXE Boot Server

For purposes such as OS installation, it is necessary to perform PXE boot of a physical L-Server using its own PXE server.

The PXE boot server must be operated on a server other than the admin server.



### Note

PXE boot is unavailable on networks that use tagged VLAN settings.

Do not configure tagged VLANs for PXE boot servers.

## HBA address rename Setup Service Server

A server on which the HBA address rename setup service operates.

This is necessary when creating physical L-Servers using HBA address rename for I/O virtualization.

This is not necessary when creating physical L-Servers using blade servers.

When an admin server cannot be communicated with from a managed server, configure the necessary WWNs for starting the managed server instead of the admin server.

The HBA address rename server operates in a Windows or Linux environment.

Install the HBA address rename setup service on this server.

It is not possible to use the HBA address rename server as an admin server and a managed server at the same time.

Keep this server powered ON at all times, in preparation for admin server trouble or communication errors.

For details, refer to "[10.1.3 HBA and Storage Device Settings](#)" and "[C.2 WWN Allocation Order during HBA address rename Configuration](#)".

## Admin LAN

The admin LAN is the LAN used by the admin server to control managed servers and storage.

The admin LAN is set up separately from the public LAN used by applications on managed servers.

Using network redundancy software on the server enables redundancy for the admin LAN or the public LAN. Manually configure network redundancy software.

When using a physical L-Server, the default physical network adapter numbers available for the admin LAN are as given below.

- When not performing redundancy, "1" is available
- When performing redundancy, "1" and "2" are available



### Note

When using a NIC other than the default one, the configuration at the time of physical server registration and at L-Server creation must be the same. Thus when designing systems it is recommended that physical servers registered in the same server pool use the same NIC index.



### Information

The first NIC that is available for the admin LAN can be changed.

For details, refer to "5.4.2 Registering Blade Servers" in the "User's Guide for Infrastructure Administrators (Resource Management) CE".

## iSCSI LAN

Refer to "[9.1.3 Physical Network Design for the Public LAN and iSCSI LAN](#)".

## L-Server Design

The procedure differs depending on whether the L-Server is physical or virtual.

For details, refer to the following:

- For Physical L-Servers

For details, refer to "[D.1 System Configuration](#)".

- For Virtual L-Servers

[VMware]

For details, refer to "[E.1.1 System Configuration](#)".

[Hyper-V]

For details, refer to "[E.2.1 System Configuration](#)".

[Xen]

For details, refer to "[E.3.1 System Configuration](#)".

[OVM for x86 2.2]

For details, refer to "[E.4.1 System Configuration](#)".

[KVM]

For details, refer to "[E.5.1 System Configuration](#)".

[Solaris Zones]

For details, refer to "[E.6.1 System Configuration](#)".

[OVM for SPARC]

For details, refer to "[E.7.1 System Configuration](#)".

[Citrix Xen]

For details, refer to "[E.8.1 System Configuration](#)".

[OVM for x86 3.x]

For details, refer to "[E.9.1 System Configuration](#)".

## **L-Platform Network Design**

For details on L-Platform Network design, refer to "[9.1 Defining the Network Environment](#)".

## **Points to Keep in Mind when Setting Up a Resource Orchestrator Environment**

- The maximum of managed servers can be registered in Resource Orchestrator is limited, and depends on the Resource Orchestrator license purchased.

For details on the limit of managed servers, refer to license documentation.

An error will occur when trying to register more managed servers than the above limit. This limit includes the spare servers used by recovery settings. However, it does not include VM guests.

- Clustering software can be used on managed servers.

However, the following operations are not supported.

- Managed Server Switchover
- Backup and Restore

- Use of the Windows Server 2008 or later BitLocker drive encryption function (Windows BitLocker Drive Encryption) is not supported.

If the admin server or managed servers are running under Windows Server 2008 or later, do not encrypt the system disk using the BitLocker drive encryption function.

# Chapter 5 Defining User Accounts

This chapter explains the user accounts used in Resource Orchestrator.

## Defining User Accounts

With Resource Orchestrator, you can restrict the operations that each user account can perform and the resources that operations can be performed on.

The main user types of Resource Orchestrator are as follow:

### System Administrators

System administrators manage the operation of the entire system. System administrators install and configure systems.

Administrator privileges for the operating system are required. Normally the roles of the infrastructure administrator and system administrator are performed concurrently.

### Infrastructure Administrators

Infrastructure administrators manage ICT resources such as servers, storage, networks, and images.

They collectively manage ICT resources in resource pools, and perform addition, configuration modification, and maintenance of ICT resources when necessary.

In Resource Orchestrator, the following roles can be assigned to infrastructure administrators:

- infra\_admin (infrastructure administrator)

### Tenant Administrators

Provide tenant users with L-Platform templates based on their needs.

In Resource Orchestrator, the following roles can be assigned to tenant administrators:

- tenant\_admin (tenant administrator)

### Tenant Users

Tenant users create L-Platforms and use them.

In Resource Orchestrator, the following roles can be assigned to tenant users:

- tenant\_user (tenant user)
- lplatform\_user (L-Platform user)

### Dual-role Administrators

The following role combines the roles of infrastructure administrators and tenant administrators.

In Resource Orchestrator, the following roles can be assigned to dual-role administrators:

- administrator (administrator)

For details on the resources which can be operated for each role, refer to ["5.1 Restricting Access Using Roles"](#).

## User Account Conditions

Configure the following parameters for user accounts and roles to be created on Resource Orchestrator:

### User ID

The user ID must start with an alphanumeric character, and can contain between 1 and 32 alphanumeric characters, underscores ("\_"), hyphens ("-"), and periods (".").

The number of characters and usable character types for user ID may be limited depending on the directory service used for Single Sign-On authentication. For details on attributes to configure the user ID using the directory service, refer to ["Table 12.1 Object Class"](#) in ["12.3 Registering Administrators"](#). For details on limit values which can be specified as attributes to configure user IDs, refer to the manual for the directory service.

When using the directory service provided with ServerView Operations Manager for the directory service used by Single Sign-On, the user ID (uid attribute) must be unique in the directory service.

**Password**

The string must be composed of alphanumeric characters and symbols, and can be between 8 and 64 characters long.

The number of characters and the usable character types for passwords may be limited depending on the directory service used for Single Sign-On authentication. For details on limit values of passwords, refer to the manuals of directory service.

**Role**

Configure the role to set for the user account.

**Access Scope**

Configure the access scope to set for the user account.

Users with one of the following roles can create and modify user accounts:

- infra\_admin
- tenant\_admin
- administrator

These roles can create and modify the following roles.

**Table 5.1 Roles that can be Modified by Each Role**

| User Role     | infra_admin | infra_operator | tenant_admin | tenant_operator | tenant_monitor | tenant_user | administrator | operator | monitor |
|---------------|-------------|----------------|--------------|-----------------|----------------|-------------|---------------|----------|---------|
| infra_admin   | Yes         | Yes            | Yes          | Yes             | Yes            | Yes         | No            | No       | Yes     |
| tenant_admin  | No          | No             | Yes          | Yes             | Yes            | Yes         | No            | No       | No      |
| administrator | Yes         | Yes            | Yes          | Yes             | Yes            | Yes         | Yes           | Yes      | Yes     |

## 5.1 Restricting Access Using Roles

---

This section explains the control of access using roles.

### 5.1.1 Overview

---

Resource Orchestrator can limit the available operations and resources based on the user.

- Collections of possible operations

These are referred to as roles.

- Resources that can be operated

These are referred to as access scope.

The access scope of a user who was assigned the tenant administrator role or the tenant user role is a tenant that they manage and use.

Privileges can be controlled by configuring the roles and access scope based on users.

**Role**

The following names are used for roles. For details on the detailed operation privileges for each role, refer to "[Table 5.3 Operation Scopes of Roles](#)" in "[5.1.2 Roles and Available Operations](#)".

## Infrastructure Administrative Role

- Infrastructure administrator (infra\_admin)

Infrastructure administrators manage the ICT resources (servers, storage, networks, and system images) in a private cloud. Using Resource Orchestrator, infrastructure administrators collectively manage ICT resources in resource pools, while monitoring the load and performing addition, replacement, and maintenance of ICT resources when necessary.

Infrastructure administrators prepare L-Platform templates of pre-defined logical platforms (L-Platforms) according to tenant user or tenant administrator needs, and publish them for use by tenant users or tenant administrators.

In accordance with the application process, infrastructure administrators may also receive and review applications from tenant users or tenant administrators.

The main roles and operations of infrastructure administrators are given below.

- Manage (add, switch, and maintain) the ICT resources (servers, storage, networks, and system images) in a private cloud
  - Manage shared pools (global pools)
  - Create and publish L-Platform templates
  - Review logical platform (L-Platform) usage applications
- Infrastructure operator (infra\_operator)

An infrastructure operator can only monitor an L-Platform. Power operations and backup for resources in a resource pool can also be executed by an infrastructure operator.

- Infrastructure monitor (monitor)

A monitor can only monitor all resources.

## Tenant Management Roles

- Tenant administrator (tenant\_admin)

Tenant administrators prepare an L-Platform template which is specific to the tenant pre-defined by the infrastructure administrator according to tenant user needs, and publish it for tenant users to use.

In accordance with the application process, tenant administrators may also receive and approve applications from tenant users.

Tenant administrators can check the usage status and monitor the operational statuses of tenant users.

The main roles and operations of tenant administrators are given below.

- Manage resource pools (local pools) dedicated to tenants
  - Manage L-Platform templates
  - Manage accounts of tenant users
  - Review and approve logical platform (L-Platform) usage applications
- Tenant operator (tenant\_operator)

Tenant operator can only perform the following operations from the operations which tenant administrators can perform.

- Resource backup
  - L-Platform power operation
  - Resource monitoring of all tenants
  - Tenant and local pool monitoring
- Tenant monitor (tenant\_monitor)

A tenant monitor can only monitor L-Platforms and L-Servers.

## Tenant Use Roles

- Tenant user (tenant\_user)

Tenant users can apply to use logical platforms (L-Platforms), and use logical platforms (L-Platforms) configured according to their application.



When the authorization of the tenant administration department manager is required for an application, tenant users must request authorization from the manager in accordance with the application process.

The main roles and operations of tenant users are given below.

- Apply for logical platform (L-Platform) usage
- Check resource usage conditions
- L-Platform User (lplatform\_user)

L-Platform User is the role to enable tenant users (tenant\_user) to use L-Platforms.

L-Platform users can operate, change, and delete L-Platforms.

This role is automatically assigned when an L-Platform is created. When the L-Platform is deleted, the assigned role is deleted automatically. Addition and deletion is not necessary.

### Multiple Roles

- Administrator (administrator)

An administrator is both an infrastructure administrator and a tenant administrator.

- Operator (operator)

An operator is both an infrastructure operator and a tenant operator.

- Monitor (monitor)

A monitor can only monitor all resources.

### User Groups

User groups are the function for executing batch management of multiple users. By configuring roles and access scopes in the same way as for users, user privileges for all users belonging to the user group can be configured as a batch operation.

If no user group is specified when creating a user, the user group will be the same as the user who performed creation. Therefore, it is not necessary to consider the existence of user groups, when using a user within the same department.

When resource folders and resources specified in the access scope of a user and a user group are deleted, they are also deleted from the access scope and the role settings.

For details on the relations on access scope and role settings of a user and a user group, refer to "[Table 5.2 Relations on Access Scope and Role Settings of Users and User Groups](#)".

**Table 5.2 Relations on Access Scope and Role Settings of Users and User Groups**

| Users          | User Groups    | Access Scope and Roles              |
|----------------|----------------|-------------------------------------|
| Configured     | Configured     | User configurations are valid       |
| Configured     | Not configured | User configurations are valid       |
| Not configured | Configured     | User group configurations are valid |
| Not configured | Not configured | All resources are inaccessible      |

For user groups, only "supervisor" and "monitor" are defined by default.

#### "supervisor" User Group

For the "supervisor" user group, the access scope and role of "all=administrator" are configured.

"all=administrator" is the role for administrators (administrators who are both infrastructure administrators and tenant administrators) with unlimited access scopes.

#### "monitor" User Group

For the "monitor" user group, the access scope and role of "all=monitor" are configured.

"all=monitor" is the role for monitors (monitors who are both infrastructure monitors and tenant monitors) with unlimited access scopes.

## Tenant and User Group

When a tenant is created, the user group corresponding to a tenant will be created. When the tenant administrator and tenant users are created, they belong to a user group corresponding to the tenant.

## 5.1.2 Roles and Available Operations

This section explains roles.

For details on how to configure roles and access scopes for users and user groups, refer to "Chapter 3 Configuring Users and Customizing Roles" in the "User's Guide for Infrastructure Administrators (Resource Management) CE".

By specifying a combination of role and access scope for the target user or user group, the access privileges are restricted. The access scope is restricted by specifying resource folders, resource pools, or resources in the orchestration tree.

Among the users with the infrastructure admin role, those users who have had their scope of access limited can only refer to certain resources. For this reason, only an orchestration tree can be used among the trees of a resource tab. Switchover to other trees is not possible.

For details on trees, refer to "A.1 ROR Console" in the "User's Guide for Infrastructure Administrators (Resource Management) CE".



### Note

Specify "all" (no access scope restriction) for the access scope of the administrator role, operator role, monitor role, infrastructure administrator role, and infrastructure operator role.

Table 5.3 Operation Scopes of Roles

| Target            | Operation                   | infra_admin | infra_operator | tenant_admin | tenant_operator | tenant_monitor | tenant_user | administrator | operator | monitor |
|-------------------|-----------------------------|-------------|----------------|--------------|-----------------|----------------|-------------|---------------|----------|---------|
| L-Platform        | Subscribe                   | No          | No             | Yes          | No              | No             | Yes         | Yes           | No       | No      |
|                   | Reconfiguration             | No          | No             | Yes          | No              | No             | Yes         | Yes           | No       | No      |
|                   | Movement                    | Yes         | No             | No           | No              | No             | No          | Yes           | No       | No      |
|                   | Cancel                      | No          | No             | Yes          | No              | No             | Yes         | Yes           | No       | No      |
|                   | Starting the server         | No          | No             | Yes          | Yes             | No             | Yes         | Yes           | Yes      | No      |
|                   | Stopping the server         | No          | No             | Yes          | Yes             | No             | Yes         | Yes           | Yes      | No      |
|                   | Snapshot and backup         | No          | No             | Yes          | Yes             | No             | Yes         | Yes           | Yes      | No      |
|                   | Restore snapshot and backup | No          | No             | Yes          | Yes             | No             | Yes         | Yes           | Yes      | No      |
|                   | Delete snapshot and backup  | No          | No             | Yes          | Yes             | No             | Yes         | Yes           | Yes      | No      |
|                   | Image Collection            | No          | No             | Yes          | Yes             | No             | No          | Yes           | Yes      | No      |
|                   | Setup FW and SLB            | No          | No             | Yes          | No              | No             | Yes         | Yes           | No       | No      |
|                   | Display event logs          | Yes         | Yes            | Yes          | Yes             | Yes            | Yes         | Yes           | Yes      | Yes     |
|                   | Viewing                     | Yes         | Yes            | Yes          | Yes             | Yes            | Yes (*8)    | Yes           | Yes      | Yes     |
|                   | Viewing ([Resource] tab)    | Yes         | Yes            | No           | No              | No             | No          | Yes           | Yes      | Yes     |
| System Conditions | Yes                         | Yes         | Yes            | Yes          | Yes             | Yes            | Yes         | Yes           | Yes      |         |

| Target                                    | Operation   | infra_admin | infra_operator | tenant_admin | tenant_operator | tenant_monitor | tenant_user | administrator | operator | monitor  |
|---|---|-------------|----------------|--------------|-----------------|----------------|-------------|---------------|----------|----------|
|   | Capacity Planning   | Yes         | Yes            | Yes          | Yes             | Yes            | No          | Yes           | Yes      | Yes      |
|   | FW, SLB Operations  | No          | No             | Yes          | Yes             | Yes (*1)       | Yes         | Yes           | Yes      | Yes (*1) |
|   | Migration ([Resource] tab)                                  | No          | No             | No           | No              | No             | No          | Yes           | No       | No       |
| L-Platform Templates Template Information | Create new templates  | Yes         | No             | No           | No              | No             | No          | Yes           | No       | No       |
|   | Copying/Modification/Deletion/Display modification (*6)     | Yes         | No             | Yes          | No              | No             | No          | Yes           | No       | No       |
|   | Viewing   | Yes         | Yes (*2)       | Yes          | No              | No             | No          | Yes           | Yes (*2) | Yes (*2) |
| L-Platform Templates Software Information | Creation/Copying/Modification/Deletion                      | Yes         | No             | Yes          | No              | No             | No          | Yes           | No       | No       |
|   | Viewing   | Yes         | Yes (*2)       | Yes          | No              | No             | No          | Yes           | Yes (*2) | Yes (*2) |
| L-Platform Templates Image Information    | Creation/Copying/Modification/Deletion/Display modification | Yes         | No             | Yes          | No              | No             | No          | Yes           | No       | No       |
|   | Viewing   | Yes         | Yes (*2)       | Yes          | No              | No             | No          | Yes           | Yes (*2) | Yes (*2) |
| L-Platform Templates Segment Information  | Creation/Modification/Deletion                              | Yes         | No             | Yes          | No              | No             | No          | Yes           | No       | No       |
|   | Viewing   | Yes         | Yes (*2)       | Yes          | No              | No             | No          | Yes           | Yes (*2) | Yes (*2) |
| Tenant                                    | Creation/Modification/Deletion                              | Yes         | No             | No           | No              | No             | No          | Yes           | No       | No       |
|   | Viewing   | Yes         | Yes            | No           | No              | No             | No          | Yes           | Yes      | Yes      |
| Usage Charges                             | Search by tenant  | Yes         | No             | No           | No              | No             | No          | Yes           | No       | No       |
|   | Search by L-Platform  | Yes         | No             | Yes          | No              | No             | No          | Yes           | No       | No       |
| Application Process                       | Approval (*3)   | No          | No             | Yes          | No              | No             | No          | Yes           | No       | No       |
|   | Evaluation  | Yes         | No             | No           | No              | No             | No          | Yes           | No       | No       |
| L-Server                                  | Creation  | No          | No             | No (*7)      | No              | No             | No (*7)     | Yes           | No       | No       |
|   | Configuration changes/Movement                              | No          | No             | No (*7)      | No              | No             | No (*7)     | Yes           | No       | No       |
|   | Deletion  | No          | No             | No (*7)      | No              | No             | No (*7)     | Yes           | No       | No       |
|   | Modify attributes/Console screen                            | No          | No             | No (*7)      | No (*7)         | No             | No (*7)     | Yes           | Yes      | No       |
|   | Starting an L-Server  | No          | No             | No (*7)      | No (*7)         | No             | No (*7)     | Yes           | Yes      | No       |

| Target   | Operation                               | infra_admin | infra_operator | tenant_admin | tenant_operator | tenant_monitor | tenant_user | administrator | operator | monitor |
|--|---|-------------|----------------|--------------|-----------------|----------------|-------------|---------------|----------|---------|
|  | Stopping an L-Server                    | No          | No             | No (*7)      | No (*7)         | No             | No (*7)     | Yes           | Yes      | No      |
|  | Collecting cloning images               | No          | No             | No (*7)      | No (*7)         | No             | No          | Yes           | Yes      | No      |
|  | Backup/Snapshot                         | No          | No             | No (*7)      | No (*7)         | No             | No (*7)     | Yes           | Yes      | No      |
|  | Restore backup and snapshot             | No          | No             | No (*7)      | No (*7)         | No             | No (*7)     | Yes           | Yes      | No      |
|  | Delete backup and snapshot              | No          | No             | No (*7)      | No (*7)         | No             | No (*7)     | Yes           | Yes      | No      |
|  | Viewing                                 | Yes         | Yes            | No (*7)      | No (*7)         | No (*7)        | No (*7)     | Yes           | Yes      | Yes     |
| Maintenance of L-Servers   | Migration/Conversion/Reversion          | Yes         | No             | No           | No              | No             | No          | Yes           | No       | No      |
| L-Server Templates   | Import/Modification/Deletion            | Yes         | No             | No           | No              | No             | No          | Yes           | No       | No      |
|  | Export                                  | Yes         | Yes            | No           | No              | No             | No          | Yes           | Yes      | No      |
|  | Viewing                                 | Yes         | Yes            | No           | No              | No             | No          | Yes           | Yes      | Yes     |
| L-Server for infrastructure administrators                       | Creation                                | Yes         | No             | No           | No              | No             | No          | No            | No       | No      |
|  | Configuration changes/Movement          | Yes         | No             | No           | No              | No             | No          | Yes           | No       | No      |
|  | Deletion                                | Yes         | No             | No           | No              | No             | No          | Yes           | No       | No      |
|  | Modify attributes/Console screen        | Yes         | Yes            | No           | No              | No             | No          | Yes           | Yes      | No      |
|  | Starting an L-Server                    | Yes         | Yes            | No           | No              | No             | No          | Yes           | Yes      | No      |
|  | Stopping an L-Server                    | Yes         | Yes            | No           | No              | No             | No          | Yes           | Yes      | No      |
|  | Collecting cloning images               | Yes         | Yes            | No           | No              | No             | No          | Yes           | Yes      | No      |
|  | Backup/Snapshot                         | Yes         | Yes            | No           | No              | No             | No          | Yes           | Yes      | No      |
|  | Restore backup and snapshot             | Yes         | Yes            | No           | No              | No             | No          | Yes           | Yes      | No      |
|  | Delete backup and snapshot              | Yes         | Yes            | No           | No              | No             | No          | Yes           | Yes      | No      |
| Viewing  | Yes                                     | Yes         | No             | No           | No              | No             | Yes         | Yes           | Yes      |         |
| Maintenance of the L-Server for the infrastructure administrator | Migration                               | Yes         | No             | No           | No              | No             | No          | Yes           | No       | No      |
| Resource pools   | Creation/Modification/Movement/Deletion | Yes         | No             | No           | No              | No             | No          | Yes           | No       | No      |

| Target                            | Operation  | infra_admin | infra_operator | tenant_admin | tenant_operator | tenant_monitor | tenant_user | administrator | operator | monitor |
|-----------------------------------|--|-------------|----------------|--------------|-----------------|----------------|-------------|---------------|----------|---------|
|                                   | Resource registration/<br>deletion (*4)          | Yes         | No             | No           | No              | No             | No          | Yes           | No       | No      |
|                                   | Migration of resources<br>between resource pools | Yes         | No             | No           | No              | No             | No          | Yes           | No       | No      |
|                                   | Viewing  | Yes         | Yes            | No           | No              | No             | No          | Yes           | Yes      | Yes     |
|                                   | Pool Conditions                                  | Yes         | Yes            | Yes          | Yes             | Yes            | No          | Yes           | Yes      | Yes     |
|                                   | Capacity Planning                                | Yes         | Yes            | Yes          | Yes             | Yes            | No          | Yes           | Yes      | Yes     |
| Physical server                   | Registration/<br>Modification/Deletion           | Yes         | No             | No           | No              | No             | No          | Yes           | No       | No      |
|                                   | Power control (*5)                               | Yes         | Yes            | No           | No              | No             | No          | Yes           | Yes      | No      |
|                                   | Console Screen<br>Acquisition                    | Yes         | Yes            | No           | No              | No             | No          | Yes           | Yes      | No      |
|                                   | Maintenance Mode<br>Settings                     | Yes         | No             | No           | No              | No             | No          | Yes           | No       | No      |
|                                   | Viewing  | Yes         | Yes            | No           | No              | No             | No          | Yes           | Yes      | Yes     |
|                                   | System Conditions                                | Yes         | Yes            | Yes          | Yes             | Yes            | Yes         | Yes           | Yes      | Yes     |
| VM Hosts                          | Registration/<br>Modification/Deletion           | Yes         | No             | No           | No              | No             | No          | Yes           | No       | No      |
|                                   | Power Operations                                 | Yes         | Yes            | No           | No              | No             | No          | Yes           | Yes      | No      |
|                                   | Maintenance Mode<br>Settings                     | Yes         | No             | No           | No              | No             | No          | Yes           | No       | No      |
|                                   | Viewing  | Yes         | Yes            | No           | No              | No             | No          | Yes           | Yes      | Yes     |
|                                   | System Conditions                                | Yes         | Yes            | No           | No              | No             | No          | Yes           | Yes      | Yes     |
|                                   | Capacity Planning                                | Yes         | Yes            | No           | No              | No             | No          | Yes           | Yes      | Yes     |
| Image                             | Modification/Deletion                            | Yes         | No             | No           | No              | No             | No          | Yes           | No       | No      |
|                                   | Viewing  | Yes         | Yes            | No           | No              | No             | No          | Yes           | Yes      | Yes     |
| Storage<br>Management<br>Software | Registration/<br>Modification/Deletion           | Yes         | No             | No           | No              | No             | No          | Yes           | No       | No      |
|                                   | Viewing  | Yes         | Yes            | No           | No              | No             | No          | Yes           | Yes      | Yes     |
| VDI Management<br>Software        | Registration/<br>Modification/Deletion           | Yes         | No             | No           | No              | No             | No          | Yes           | No       | No      |
|                                   | Viewing  | Yes         | Yes            | No           | No              | No             | No          | Yes           | Yes      | Yes     |
| Chassis                           | Registration/<br>Modification/Deletion           | Yes         | No             | No           | No              | No             | No          | Yes           | No       | No      |
|                                   | Power Operations                                 | Yes         | Yes            | No           | No              | No             | No          | Yes           | Yes      | No      |
|                                   | Viewing  | Yes         | Yes            | No           | No              | No             | No          | Yes           | Yes      | Yes     |
| Network                           | Creation/Modification/<br>Deletion               | Yes         | No             | No           | No              | No             | No          | Yes           | No       | No      |
|                                   | Viewing  | Yes         | Yes            | No           | No              | No             | No          | Yes           | Yes      | Yes     |

| Target                               | Operation   | infra_admin | infra_operator | tenant_admin | tenant_operator | tenant_monitor | tenant_user | administrator | operator | monitor |
|--------------------------------------|---|-------------|----------------|--------------|-----------------|----------------|-------------|---------------|----------|---------|
| Network devices                      | Registration/Modification/Deletion  | Yes         | No             | No           | No              | No             | No          | Yes           | No       | No      |
|                                      | Viewing   | Yes         | Yes            | No           | No              | No             | No          | Yes           | Yes      | Yes     |
|                                      | Management of Device Configuration Files                                      | Yes         | No             | No           | No              | No             | No          | Yes           | No       | No      |
| Server NIC Definitions               | Reflect/Display   | Yes         | No             | No           | No              | No             | No          | Yes           | No       | No      |
| Network Configuration Information    | Import/Export   | Yes         | No             | No           | No              | No             | No          | Yes           | No       | No      |
| External servers                     | Viewing   | Yes         | No             | No           | No              | No             | No          | Yes           | No       | No      |
| Disk/Address/Power Monitoring Device | Registration/Modification/Deletion (*4)                                       | Yes         | No             | No           | No              | No             | No          | Yes           | No       | No      |
|                                      | Viewing   | Yes         | Yes            | No           | No              | No             | No          | Yes           | Yes      | Yes     |
| Pre-configuration                    | Import/Export   | Yes         | No             | No           | No              | No             | No          | Yes           | No       | No      |
|                                      | Download of Templates   | Yes         | Yes            | No           | No              | No             | No          | Yes           | Yes      | Yes     |
| Resource Folders                     | Creation/Modification/Movement/Deletion                                       | Yes         | No             | No           | No              | No             | No          | Yes           | No       | No      |
|                                      | Viewing   | Yes         | Yes            | No           | No              | No             | No          | Yes           | Yes      | Yes     |
| Users                                | Modification of individual information  | Yes         | Yes            | Yes          | Yes             | Yes            | Yes         | Yes           | Yes      | Yes     |
|                                      | Addition/Modification/Deletion of users in the user group the user belongs to | Yes         | No             | Yes          | No              | No             | No          | Yes           | No       | No      |
|                                      | Addition/Modification/Deletion of users in other user groups                  | Yes         | No             | No           | No              | No             | No          | Yes           | No       | No      |
|                                      | Viewing   | Yes         | Yes            | Yes          | Yes             | Yes            | Yes         | Yes           | Yes      | Yes     |
| User Groups                          | Creation/Modification/Deletion  | Yes         | No             | No           | No              | No             | No          | Yes           | No       | No      |
|                                      | Viewing   | Yes         | Yes            | No           | No              | No             | No          | Yes           | Yes      | Yes     |

Yes: Can operate  
No: Cannot operate

FW: Firewall  
SLB: Server load balancer

\*1: Tenant monitors and monitors can use rule sets for operations that the infrastructure administrator has prepared for displaying information of network devices.

\*2: Information about L-Platform templates can only be obtained using the L-Platform API.

\*3: Dual-role administrators approve L-Platform applications submitted by dual-role administrators. Tenant administrators approve L-

Platform applications submitted by tenant users or other tenant administrators.

\*4: Users whose access scopes are not restricted should perform resource registration.

\*5: The power operations are also available from BladeViewer.

\*6: Tenant administrators can change and delete only the data that the user copied.

\*7: The L-Server cannot be operated directly, as the [Resource] tab is not displayed for the tenant management role or the tenant user role.

However, the definition does include the privileges to operate the L-Platform.

\*8: It is possible to prevent tenant users from being able to refer to the initial password of the administrator of servers inside an L-Platform.

For details on how to configure the settings, refer to "9.15 Display Settings for Initial Passwords [Windows Manager]" in the "Setup Guide CE".

### Note

Operate resources registered in a resource pool, by selecting the resource in the resource pool after selection from the orchestration tree. To operate resources which are not registered in resource pool or resources which are unable to be registered, use a user with full operation access scope.

## 5.1.3 Customizing Roles

Roles can be customized according to operation procedures.

It is possible to customize roles as follows.

- Deletion of unnecessary roles

Unused roles can be deleted.

The following roles cannot be deleted because they are allocated to user groups for operation management.

- administrator

It is allocated to supervisor user groups.

- tenant\_admin

It is allocated to the user group corresponding to the tenant who created the tenant.

- Limitation or addition of operation authority of roles

The operation authority of a basic role and created roles can be limited or added.

To create a new role, copy a basic role. The operation authority of the copied role can be limited or added to.

A new role cannot be copied from a copied role.

For details on the customization procedure, refer to the following.

- "Chapter 3 Configuring Users and Customizing Roles" in the "User's Guide for Infrastructure Administrators (Resource Management) CE".
- "12.1 rcxadm role" in the "Reference Guide (Command/XML) CE".

The following table shows the targets of operation and the content that can be customized.

Table 5.4 Availability of Customization According to Roles

| Target     | Operation        | infra_admin | infra_operator | tenant_admin | tenant_operator | tenant_monitor | tenant_user | administrator | operator | monitor |
|------------|------------------|-------------|----------------|--------------|-----------------|----------------|-------------|---------------|----------|---------|
| L-Platform | Subscribe        | No          | No             | Yes          | Yes             | No             | Yes         | Yes           | Yes      | Yes     |
|            | Reconfiguration  | No          | No             | Yes          | Yes             | No             | Yes         | Yes           | Yes      | Yes     |
|            | Cancel           | No          | No             | Yes          | Yes             | No             | Yes         | Yes           | Yes      | Yes     |
|            | Setup FW and SLB | No          | No             | Yes          | Yes             | No             | Yes         | Yes           | Yes      | Yes     |

| Target           | Operation                            | infra_admin | infra_operator | tenant_admin | tenant_operator | tenant_monitor | tenant_user | administrator | operator | monitor |
|------------------|--------------------------------------|-------------|----------------|--------------|-----------------|----------------|-------------|---------------|----------|---------|
|                  | Display event logs                   | Yes         | Yes            | Yes          | Yes             | Yes            | Yes         | Yes           | Yes      | Yes     |
| L-Server         | Creation                             | No          | No             | Yes          | Yes             | No             | Yes         | Yes           | Yes      | Yes     |
|                  | Configuration changes/<br>Movement   | No          | No             | Yes          | Yes             | No             | Yes         | Yes           | Yes      | Yes     |
|                  | Deletion                             | No          | No             | Yes          | Yes             | No             | Yes         | Yes           | Yes      | Yes     |
|                  | Modify attributes/<br>Console screen | No          | No             | Yes          | Yes             | No             | Yes         | Yes           | Yes      | Yes     |
|                  | Starting an L-Server                 | No          | No             | Yes          | Yes             | No             | Yes         | Yes           | Yes      | Yes     |
|                  | Stopping an L-Server                 | No          | No             | Yes          | Yes             | No             | Yes         | Yes           | Yes      | Yes     |
|                  | Collecting cloning<br>images         | No          | No             | Yes          | Yes             | No             | No          | Yes           | Yes      | Yes     |
|                  | Backup/Snapshot                      | No          | No             | Yes          | Yes             | No             | Yes         | Yes           | Yes      | Yes     |
|                  | Restore backup and<br>snapshot       | No          | No             | Yes          | Yes             | No             | Yes         | Yes           | Yes      | Yes     |
|                  | Delete backup and<br>snapshot        | No          | No             | Yes          | Yes             | No             | Yes         | Yes           | Yes      | Yes     |
| Maintenance      | Yes                                  | No          | No             | No           | No              | No             | Yes         | No            | No       |         |
| Image            | Modification/Deletion                | Yes         | Yes            | No           | No              | No             | No          | Yes           | Yes      | Yes     |
| ROR console      | Display the Home tab                 | Yes         | Yes            | Yes          | Yes             | Yes            | Yes         | Yes           | Yes      | Yes     |
|                  | Display the Dashboard<br>tab         | Yes         | Yes            | Yes          | Yes             | Yes            | No          | Yes           | Yes      | Yes     |
|                  | Display the Resources<br>tab         | Yes         | Yes            | No           | No              | No             | No          | Yes           | Yes      | Yes     |
|                  | Display the Templates<br>tab         | Yes         | No             | Yes          | No              | No             | No          | Yes           | No       | No      |
|                  | Display the L-Platforms<br>tab       | Yes         | Yes            | Yes          | Yes             | Yes            | Yes         | Yes           | Yes      | Yes     |
|                  | Display the Request tab              | Yes         | No             | Yes          | No              | No             | Yes         | Yes           | No       | No      |
|                  | Display the Tenant tab               | Yes         | No             | Yes          | No              | No             | No          | Yes           | No       | No      |
|                  | Display the Accounting<br>tab        | Yes         | No             | Yes          | No              | No             | No          | Yes           | No       | No      |
| Display Accounts | Yes                                  | Yes         | Yes            | Yes          | Yes             | Yes            | Yes         | Yes           | Yes      |         |

Yes: Can customize  
No: Cannot customize

FW: Firewall  
SLB: Server load balancer

The authority for creating L-Servers is necessary for subscribing to an L-Platform. Similarly, the authority for operating an L-Server is necessary to operate L-Platforms and L-Servers. The following tables show the operation authority necessary for each operation.



Table 5.5 Operation Authority Necessary for Operation of L-Platforms and L-Servers

| Target             | Operation                               | Operation Authority for L-Servers |                                |          |                                  |                      |                      |                           |                                |                             |                            |             |
|--------------------|---|-----------------------------------|--------------------------------|----------|----------------------------------|----------------------|----------------------|---------------------------|--------------------------------|-----------------------------|----------------------------|-------------|
|                    |   | Creation                          | Configuration changes/Movement | Deletion | Modify attributes/Console screen | Starting an L-Server | Stopping an L-Server | Collecting cloning images | Collecting snapshot and backup | Restore snapshot and backup | Delete snapshot and backup | Maintenance |
| L-Platform         | Subscribe                               | Yes                               | -                              | -        | -                                | -                    | -                    | -                         | -                              | -                           | -                          | -           |
|                    | Reconfiguration                         | Yes                               | Yes                            | Yes      | Yes                              | -                    | -                    | -                         | -                              | -                           | -                          | -           |
|                    | Movement                                | -                                 | Yes                            | -        | -                                | -                    | -                    | -                         | -                              | -                           | -                          | -           |
|                    | Cancel                                  | -                                 | -                              | Yes      | -                                | -                    | -                    | -                         | -                              | -                           | -                          | -           |
|                    | Starting the server                     | -                                 | -                              | -        | -                                | Yes                  | -                    | -                         | -                              | -                           | -                          | -           |
|                    | Stopping the server                     | -                                 | -                              | -        | -                                | -                    | Yes                  | -                         | -                              | -                           | -                          | -           |
|                    | Backup/Snapshot                         | -                                 | -                              | -        | -                                | -                    | -                    | -                         | Yes                            | -                           | -                          | -           |
|                    | Restore backup and snapshot             | -                                 | -                              | -        | -                                | -                    | -                    | -                         | -                              | Yes                         | -                          | -           |
|                    | Delete backup and snapshot              | -                                 | -                              | -        | -                                | -                    | -                    | -                         | -                              | -                           | Yes                        | -           |
|                    | Image Collection                        | -                                 | -                              | -        | -                                | -                    | -                    | Yes                       | -                              | -                           | -                          | -           |
|                    | FW Settings                             | -                                 | -                              | -        | -                                | -                    | -                    | -                         | -                              | -                           | -                          | -           |
|                    | Referencing the FW log                  | -                                 | -                              | -        | -                                | -                    | -                    | -                         | -                              | -                           | -                          | -           |
|                    | SLB Settings                            | -                                 | -                              | -        | -                                | -                    | -                    | -                         | -                              | -                           | -                          | -           |
|                    | SLB Operations                          | -                                 | -                              | -        | -                                | -                    | -                    | -                         | -                              | -                           | -                          | -           |
| SLB Operation logs | -                                       | -                                 | -                              | -        | -                                | -                    | -                    | -                         | -                              | -                           | -                          |             |
| L-Server           | Attaching disks                         | Yes                               | Yes                            | -        | -                                | -                    | -                    | -                         | -                              | -                           | -                          | -           |
|                    | Addition of NICs                        | Yes                               | Yes                            | -        | -                                | -                    | -                    | -                         | -                              | -                           | -                          | -           |
|                    | Registering agents                      | Yes                               | Yes                            | -        | -                                | -                    | -                    | -                         | -                              | -                           | -                          | -           |
|                    | Modifying specifications with migration | Yes                               | Yes                            | -        | -                                | -                    | -                    | -                         | -                              | -                           | -                          | -           |
|                    | Starting with AttachAtBoot specified    | Yes                               | Yes                            | -        | -                                | Yes                  | -                    | -                         | -                              | -                           | -                          | -           |
|                    | Starting physical L-Servers             | Yes                               | -                              | -        | -                                | Yes                  | -                    | -                         | -                              | -                           | -                          | -           |
|                    | Cold migration                          | -                                 | -                              | -        | -                                | -                    | Yes                  | -                         | -                              | -                           | -                          | Yes         |

Yes: Necessary  
 -: Not necessary

FW: Firewall  
SLB: Server load balancer

# Chapter 6 Defining Tenants and Resource Pools

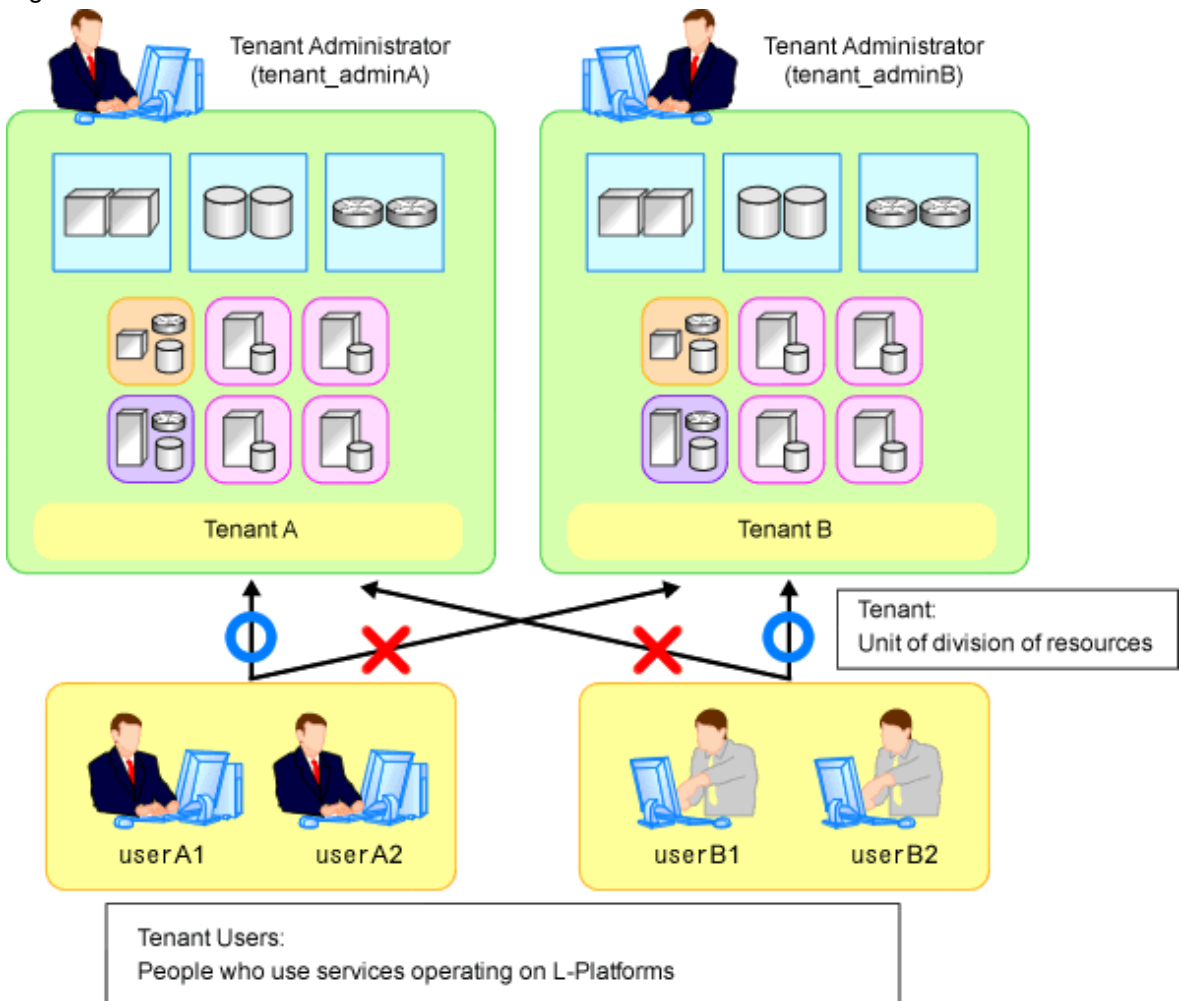
This chapter explains how to design tenants and resource pools.

## 6.1 Overview of Tenants

This section provides an overview of tenants.

In Resource Orchestrator, the unit for division of management and operation of resources based on organizations or operations is called a tenant.

Figure 6.1 Tenants



An L-Platform, L-Server, and an exclusive resource pool for each tenant are stored in a tenant.

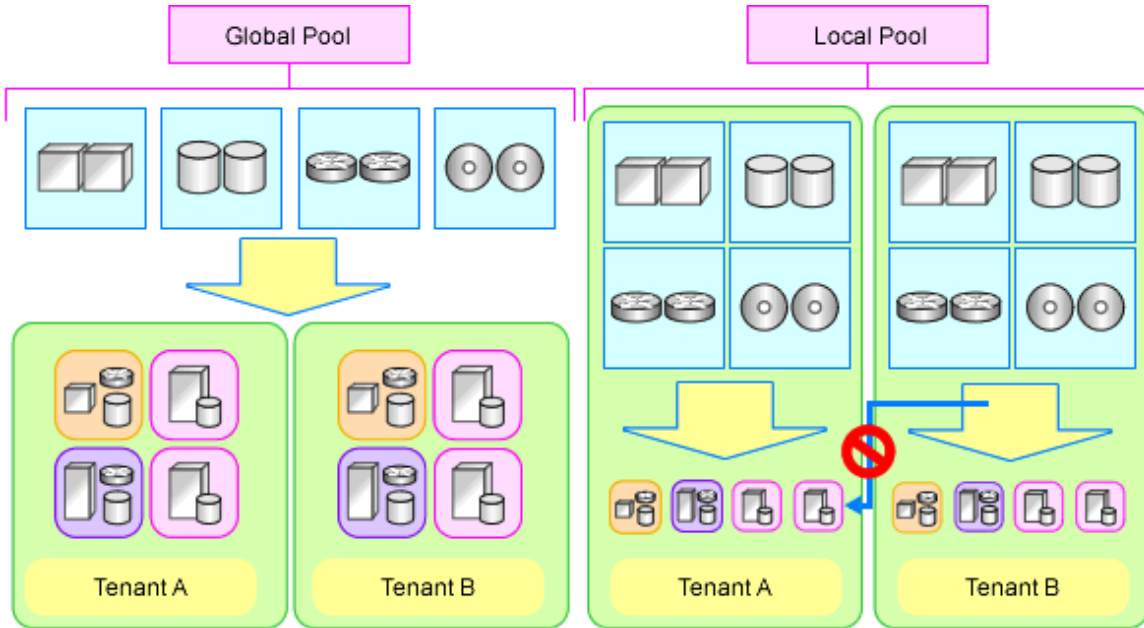
### Resource Pool Types

Resource pools are categorized into the following two types:

- Local Pools  
Resource pools for each tenant.
- Global Pools  
Resource pools that can be used by multiple tenants.

Resources can be divided and shared by creating a tenant for each organization or department. When creating a tenant, a tenant administrator and local pool can also be created.

Figure 6.2 Global Pools and Local Pools



## 6.2 Tenant Operation

This section explains how to operate tenants.

The following five patterns of tenant operation are available.

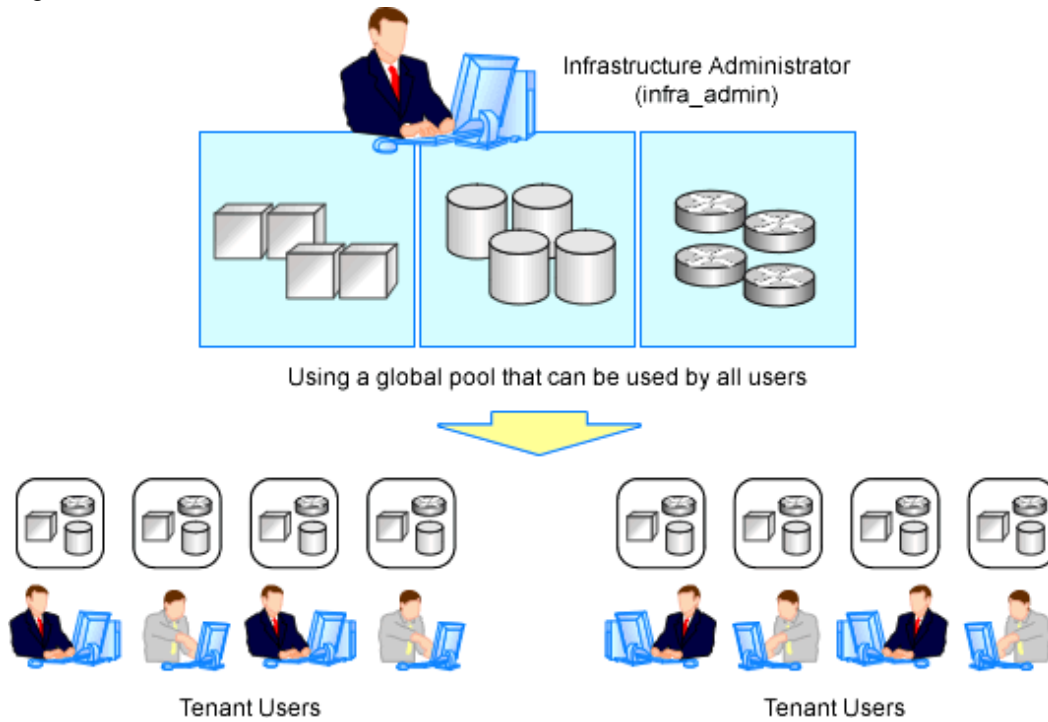
Table 6.1 Tenant Operation

| Pattern | Divide Resources in Tenant | Use Global Pools/Local Pools   |
|---------|----------------------------|--|
| A       | Do not divide in tenant    | Use global pools only  |
| B       | Divide in tenant           | Use global pools only  |
| C       | Divide in tenant           | Use local pools only   |
| D       | Divide in tenant           | Use both global pools and local pools<br>Use local pools as a priority |
| E       | Divide in tenant           | Use both global pools and local pools<br>Give priority to global pools |

### (Pattern A) Do not Divide in Tenant

Global pools enable effective use of resources.

Figure 6.3 Pattern A



**(Pattern B) Divide for Each Tenant (Global Pools Only)**

Resources are placed in global pools, and L-Platforms are divided into tenants.

This enables public cloud-conscious tenant operation.

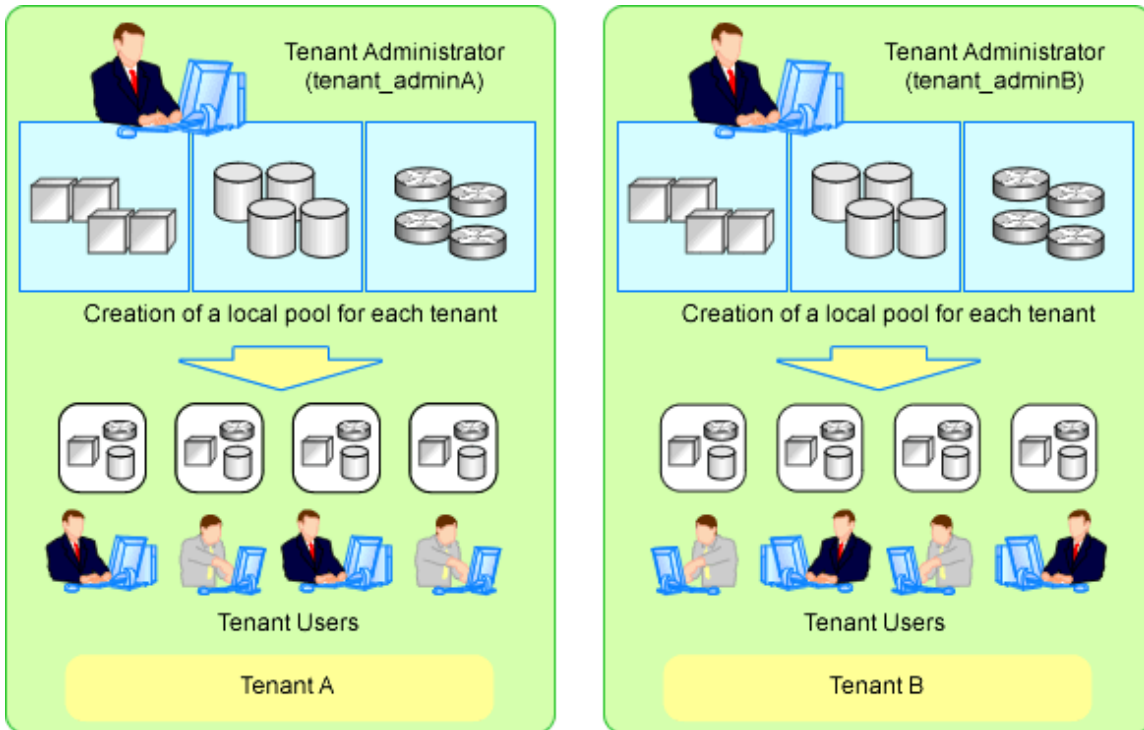
Figure 6.4 Pattern B



**(Pattern C) Divide for Each Tenant (Create a Local Pool for Each Tenant)**

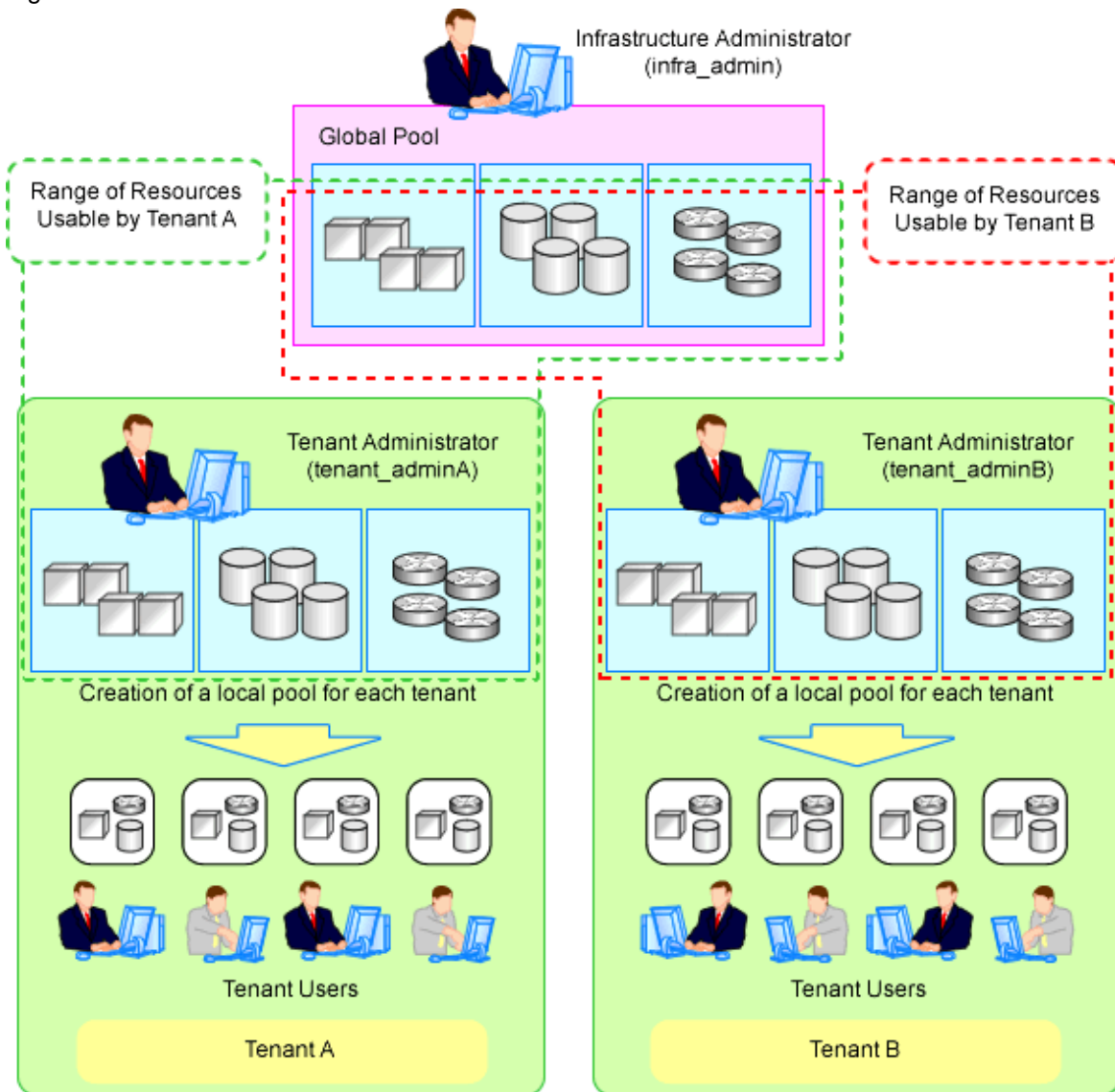
Create a local pool for each tenant. This pattern is a similar operation to allocating resources to each tenant.

Figure 6.5 Pattern C



**(Pattern D) Divide for Each Tenant (Both Global and Local Pools, with Local Pools Given Priority)**

Figure 6.6 Pattern D

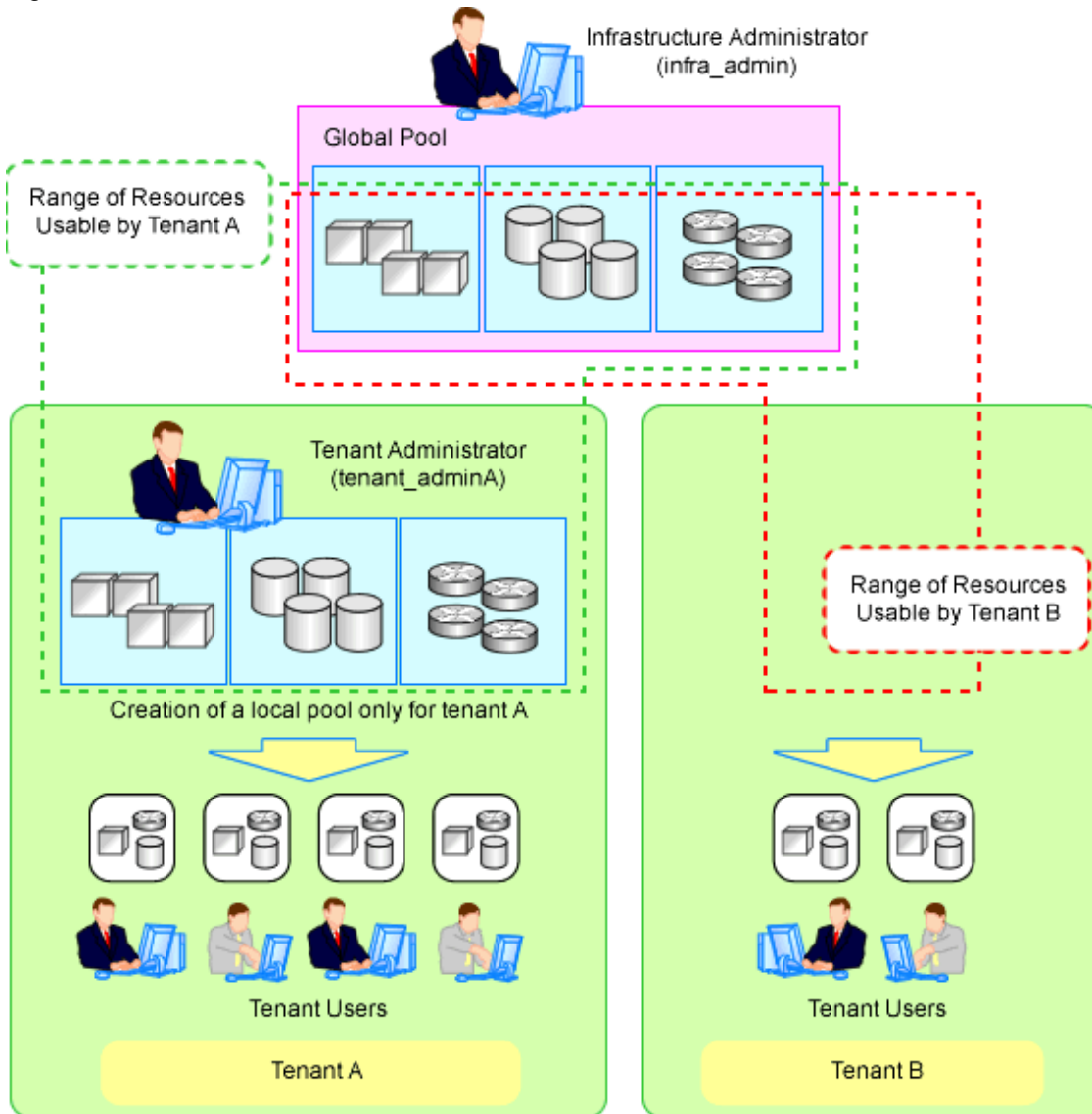


Only spare resources are placed in global pools. These spare resources are used when there is an increased workload.

**(Pattern E) Divide for Each Tenant (Both Global and Local Pools, with Global Pools Given Priority)**

This enables public cloud-conscious operation; however, tenants with a high service level can create a local pool and use resources exclusively.

Figure 6.7 Pattern E



### 6.3 Global Pool and Local Pool Selection Policy

This section explains the policy for selection of global pools and local pools.

The policy for selection of global pools and local pools from a resource application perspective is as indicated below.

Table 6.2 Global Pool and Local Pool Selection Policy

| Resource Pools | Benefits  | Disadvantages  |
|----------------|---|--|
| Global pools   | <p>Resources can be used effectively by placing resources that can be shared over the entire system in global pools.</p> <p>Tenant administrators do not need to be aware of resource availability.</p> | <p>If a specific tenant consumes a large amount of resources, the resources of the entire system may be exhausted.</p> <p>Infrastructure administrators must monitor the space for resources of the entire system.</p>                                   |
| Local pools    | <p>Even if a specific tenant rapidly consumes resources, the system as a whole is not affected.</p>   | <p>Even resources that can be shared among tenants must be prepared for each tenant. Consequently, it is necessary to prepare more resources than for global pools.</p> <p>Tenant administrators must monitor resource availability for each tenant.</p> |



The existence of a local pool and the global pool used by a tenant can be specified as an initial value at the time of tenant creation. To change the initial value at the time of tenant creation, modify the tenant creation default definition file.

For details of the tenant creation default definition file, refer to "15.12 Tenants" in the "Reference Guide (Command/XML) CE".

## 6.4 Resource Pool Types

This section explains the types of resource pools.

Resource pools are categorized as indicated below.

Table 6.3 Resource Pool Types

| Resource Pool Types | Overview   |
|---------------------|--|
| VM pool             | A resource pool for storing VM hosts used when creating new servers (VM).<br>VM hosts of different server virtualization software can be stored.<br>In VM pools where different server virtualization software exists, an appropriate VM host can be selected and an L-Server created by specifying VM type during L-Server creation.<br>Moving an L-Server (migration) is only possible between VM hosts belonging to the same cluster group, when two or more cluster groups are registered in the same VM pool. |
| Server pool         | A resource pool for storing the physical servers used when creating new servers.   |
| Storage pool        | Resource pools containing the following resources: <ul style="list-style-type: none"> <li>- Virtual storage resources (RAID groups, aggregates, VM file systems)</li> <li>- Disk resources (LUNs, FlexVol, virtual disks)</li> </ul> The following resources can be stored together: <ul style="list-style-type: none"> <li>- Virtual storage resources</li> <li>- Disk resources</li> <li>- Resources of differing storage devices</li> </ul>   |
| Network pool        | Resource pools containing the following resources: <ul style="list-style-type: none"> <li>- Network resource (VLAN ID and an external connection port, etc. are defined).</li> <li>- Network devices (Firewalls)</li> <li>- Network devices (Server load balancers)</li> </ul>   |
| Address pool        | Resource pools containing the following resources: <ul style="list-style-type: none"> <li>- MAC address (Media Access Control Address)</li> <li>- WWN</li> <li>- Global IP address</li> </ul>  |
| Image pool          | Resource pools containing the following resources: <ul style="list-style-type: none"> <li>- Physical image resources <ul style="list-style-type: none"> <li>Cloning images collected from physical L-Servers</li> </ul> </li> <li>- Virtual image resources <ul style="list-style-type: none"> <li>- Cloning images collected from virtual L-Servers</li> <li>- Images using a template used for VM guest creation with VM management software</li> </ul> </li> </ul>  |

## 6.5 Subdividing Resource Pools

---

This section explains how to subdivide resource pools.

For resource pools, global pools and local pools can be divided for the following reasons:

- Resource differences (VM type, storage type, OS type, etc.)
- Performance differences
- Application differences (divide by user, etc.)

It is recommended to name resource pools including divided resources using names that make it clear to resource pool users.

## 6.6 Concept for Separating Tenants by Resource Pool

---

This section explains the concept for separating tenants (necessity of local pool creation) for each resource pool.

### 6.6.1 Server Pool

---

This section explains the concept for separating tenants of server pools.

Servers of differing models can be placed in the same server pool.

When performing server redundancy, consider a server pool to use as the work servers and spare server pool to use as backup servers.

- Use the same pool for servers and spare servers

As well as the work server, a spare server must also be considered.

- Separate the server pool and spare server pool

The server pool can be placed in a local pool, and the spare server pool can be placed in a global pool.

### 6.6.2 VM Pool

---

This section explains the concept for separating tenants of VM pools.

VM hosts of different server virtualization software can be stored in VM pools.

Even if a VM host exists in one VM pool, virtual L-Servers can be placed in a different tenant. Therefore, it is not necessary to separate VM pools.

However, local VM pools must be created for each tenant in the following cases:

- Consolidate VM hosts comprising VMwareDRS or HA in VM pools under the same tenant. A virtual machine may operate beyond tenants by VM management software control, when VM hosts are registered in different tenants.
- Place VM pools separately for each tenant when considering the vulnerabilities and loads of VM hosts.
- This section explains the concept for separating tenants (necessity of local pool creation) for each resource pool.
- When using VM hosts in tenants linked with a virtual fabric (VFAB) other than the default VFAB in Converged Fabric, create separate VM pools for each tenant.
- When configuring server switchover from the server tree, register the primary server and spare server in the same VM pool.

If the primary server and the spare server are registered in different VM pools, the server information displayed in the VM pool changes after server switchover.

### 6.6.3 Storage Pool

---

This section explains the concept for separating tenants of storage pools.

Virtual storage resources or disk resources of differing server virtualization software can be placed in the same storage pool. Disk resources generated from virtual storage resources and disk resources created in advance can also be stored together.

In the following cases, place storage pools separately.

- When separating storage pools according to usage
- When maintaining unique user information for security reasons
- When giving consideration to performance
- When using them as shared disks (from the disk resources created in advance)
- When using thin provisioning
- When using Automatic Storage Layering

## 6.6.4 Network Pool

---

This section explains the concept for separating tenants of network pools.

Network pools should be separated for each tenant for security reasons.

Network pools can be shared in environments that allow communication between tenants, such as intranets.

When using virtual fabrics (VFAB) other than the default VFAB in Converged Fabric, create a local network pool for each tenant.



### Note

Note the following points when using VFABs other than the default VFAB of Converged Fabric.

- When creating an L-Platform using the global pool, resources cannot be migrated to the local network pool. It is necessary to delete the L-Platform in order to migrate them. Perform design so that the local network pool is used.

## 6.6.5 Address Pool

---

This section explains the concept for separating tenants of address pools.

### MAC Addresses and WWNs

MAC addresses and WWNs can be stored together in an address pool. However, as the required resources differ based on the types of servers and server virtualization software, when managing different servers, division of the access pool simplifies management. The method of division should be matched to that of the server pool.

Table 6.4 Address Set Resources Required for Each Server Type

|   | MAC address<br>(Media Access<br>Control Address) | WWN |
|---|--|-----|
| Blade servers (VIOM is required)                    | Yes  | Yes |
| Rack mount servers (VIOM or ISM is required)        | Yes  | Yes |
| Rack mount servers (HBA address rename is required) | No   | Yes |

Yes: Necessary

No: Not necessary

Table 6.5 Address Set Resources Required for Each Server Virtualization Software

|   | MAC Address<br>(Media Access<br>Control Address) | WWN |
|---|--|-----|
| RHEL5-Xen, KVM, and Citrix Xen                                    | Yes  | No  |
| Virtualization software other than RHEL5-Xen, KVM, and Citrix Xen | No   | No  |

Yes: Necessary  
 No: Not necessary

In the following cases, separate address pools:

- When separating the LAN for each tenant, and registering MAC addresses for firewalls etc.
- When separating the SAN for each tenant, and setting WWNs for fibre channel switch zoning
- When using software that is aware of MAC addresses for license authentication etc.



**Note**

When multiple address sets are created, design the ranges of addresses so that they do not overlap between the address sets.

When a range of addresses overlaps on the same LAN or SAN network, it may become impossible to communicate correctly, and data may be damaged by same volume access.

When creation of address sets in which overlapping of the range of the MAC addresses is unavoidable, ensure that the following system design is performed, and no MAC address is duplicated on same LAN network.

- Separate the network segments (VLAN)
- Configure an excluded range of MAC addresses so that a duplicated MAC address is not assigned

**Global IP Address**

For automatic configuration of network devices using simple configuration mode, when managing the virtual IP addresses (public addresses) used for address translation functions of firewalls, and performing automatic allocation, it is necessary to separate the address pools for each tenant, as virtual IP addresses must be allocated to each tenant.

Table 6.6 Address Set Resources Required for Automatic Configuration Mode of Network Devices

| Network Device Automatic Configuration | Automatic Allocation of Public IP<br>Addresses | GIP Address |
|--|--|-------------|
| Simple configuration mode              | Allocated                                      | Yes         |
|  | Not allocated                                  | No          |
| User customization                     | Not possible                                   | No          |

Yes: Necessary  
 No: Not necessary

**6.6.6 Image Pool**

This section explains the concept for separating tenants of image pools.

For images of tenant-independent operating systems, it is not necessary to separate image pools.

It is necessary to separate image pools for each tenant for images that have tenant-unique information.

Images gathered after configuration of tenant-specific applications should be managed in the local pool of the relevant tenant.

# Chapter 7 Defining High Availability and Disaster Recovery

High availability systems can be provided smoothly using the following functions of Resource Orchestrator.

- L-Server redundancy

L-Server redundancy is possible with Resource Orchestrator.

On physical L-Servers, by specifying a spare server pool, an operating server can be switched to a spare server when server failure occurs.

On virtual L-Servers, settings differ according to the server virtualization software being used.

For details, refer to "18.1.1 High Availability of L-Servers" in the "Operation Guide CE".

- Server switchover when a chassis fails

If a blade chassis in a configuration where Resource Orchestrator manages multiple blade chassis fails, when starting the physical L-Server on a blade chassis that is not damaged, operations can be re-started.

For details, refer to "18.1.2 Blade Chassis High Availability" in the "Operation Guide CE".

When creating VM hosts on physical L-Servers, server switchover can be performed for VM hosts if chassis failure occurs.

For details, refer to "Appendix A Installing VM Hosts on Physical L-Servers" in the "Setup Guide CE".

- Switchover of operating or standby status of storage

For physical L-Servers, realizes the switchover of operating or standby disks (system/data disks) in configurations in which replication of the operating storage volume used by an L-Server to a standby storage volume is configured.

For details on prerequisites, refer to "7.2 Storage Chassis High Availability Design".

For details on operation methods, refer to "18.1.3 High Availability for Storage Chassis" in the "Operation Guide CE".

In the case of VM hosts, failover of disks from the primary site to the backup site can also be performed by building VM hosts on physical L-Servers.

For details, refer to "Appendix A Installing VM Hosts on Physical L-Servers" in the "Setup Guide CE".

- Admin server redundancy

Managers can be operated in cluster systems with Resource Orchestrator.

When operating the admin server in a Windows or Linux environment, redundancy for managers is also possible using clustering software.

An admin server can be operated on VMware and Hyper-V virtual machines.

Using redundancy for virtual machines, redundancy for managers is also possible.

For details on operation methods, refer to "18.2 High Availability for Admin Servers" in the "Operation Guide CE".

- Disaster Recovery

Disaster recovery can be done in a simple and reliable way by exporting and importing the following information between managers of Resource Orchestrator.

- L-Platform Template
- L-Platform Configuration Information
- Resource Information
- Accounting Information
- Metering Log

For details on prerequisites, refer to "Chapter 2 Design" in the "DR Option Instruction".

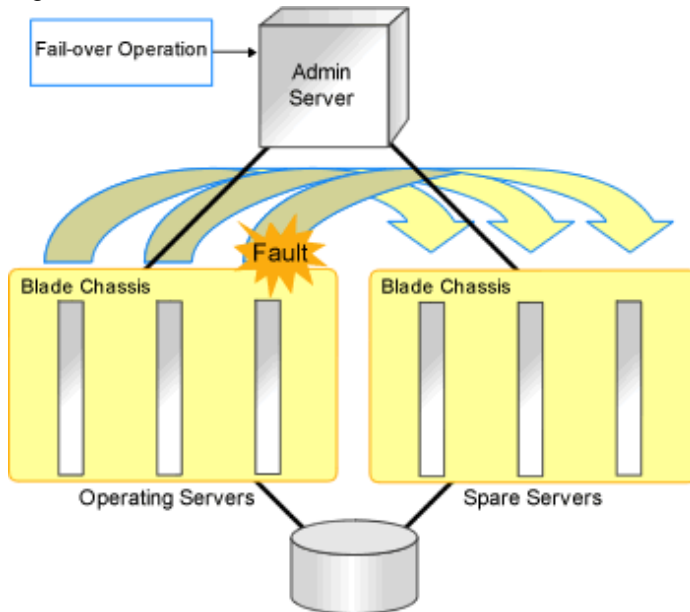
For details on installing and operating Disaster Recovery, refer to "Chapter 3 Installation" and "Chapter 4 Operation" in the "DR Option Instruction".

## 7.1 Blade Chassis High Availability Design

To perform server switchover for chassis failures, it is necessary to set the server switchover settings in advance.

By registering VM hosts as physical L-Servers, VM hosts can be switched to spare servers and virtual L-Servers can also be restarted. For details, refer to "Appendix A Installing VM Hosts on Physical L-Servers" in the "Setup Guide CE".

Figure 7.1 Server Switchover when a Chassis Fails



## 7.2 Storage Chassis High Availability Design

This section describes the prerequisites for switchover of operating or standby status of storage.

- The following disk resources are the targets of switchover.
  - Dynamic LUN mirroring
    - The replication is automatically configured.
  - LUN prepared in the storage unit
    - LUN replication settings need to have been made beforehand between the operational storage and backup storage.
- The LUN replication ratio between operating and standby storage states must be 1:1.
- Operating disk resources must be connected to physical L-Servers.
  - Disk resources that are not registered in storage pools or are not connected to L-Servers are not processed.
- The switchover of disk resources is processed according to the replication relationship described in the replication definition file created in advance. Disk resources that are not described in the replication definition file are not processed.
  - If LUNs are added or the storage configuration is modified, it is necessary to edit the replication definition file.
- Standby disk resources must be detected by Resource Orchestrator. If LUNs can be accessed from the server, Resource Orchestrator cannot detect them. Do not register detected disk resources in storage pools.
- The storage unit identifier to enter in the replication definition file (IP address for ETERNUS, NetApp, EMC CLARiiON or EMC VNX, or SymmID for EMC Symmetrix DMX Storage or EMC Symmetrix VMAX storage) must not be of the same configuration.
  - In this case, storage units with the same IP address or SymmID as an operating storage unit cannot be used as standby storage units.
- For configurations with NetApp storage units using the MetroCluster function for storage replication, switchover cannot be performed with this function.
- For Storage Server on which FalconStor NSS operates, switchover cannot be performed with this function.
  - When Storage Server on the operation side fails, information (IP address, WWPN, Virtual Device ID, Service Enabled Device ID) from the operation side is inherited by Storage Server on the standby side.

- To access operating and standby storage units from servers with physical L-Servers running on them, it is necessary to set the fibre channel switch in advance.

If the storage unit is ETERNUS, no settings are required in advance.

- The time required for switchover is relative to the number of L-Servers using operating storage units and the number of disk resources being used by L-Servers.

It is recommended that a test be performed in advance to confirm the time for restoration from storage unit failure.

## **7.3 Admin Server High Availability Design**

---

Redundancy for managers is possible with Resource Orchestrator.

High availability configuration of admin servers can be performed as follows.

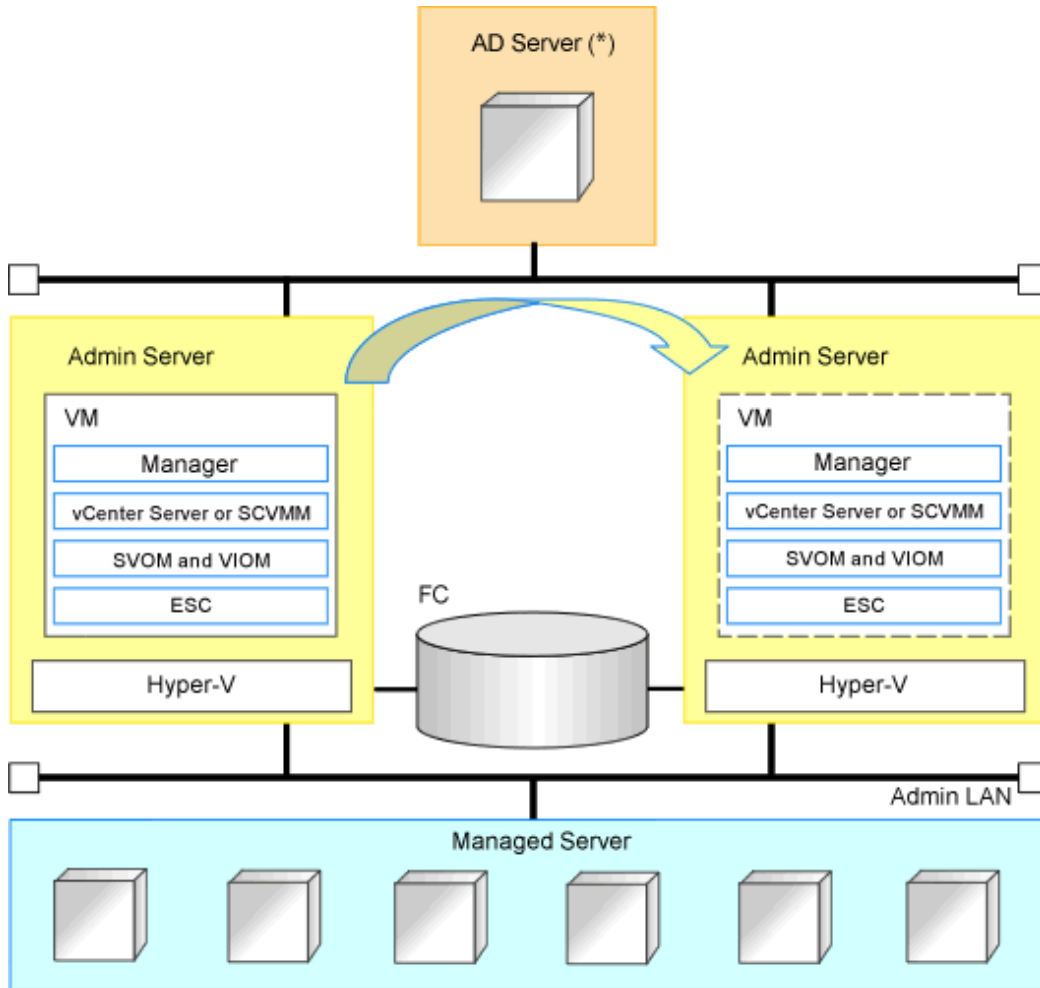
### **Manager High Availability in Windows Guest Environments in Hyper-V environments**

Design the admin server so it is in the configuration given below.

- Install the manager on a windows guest OS in a Hyper-V environment configured as a cluster using MSFC.
- Install the following software on the same VM guest as the manager.
  - ServerView Operations Manager
  - ServerView Virtual-IO Manager
  - VM management software
  - Storage management software (Other than Solutions Enabler)

- Place Solutions Enabler on a VM host because it requires a fibre channel connection.

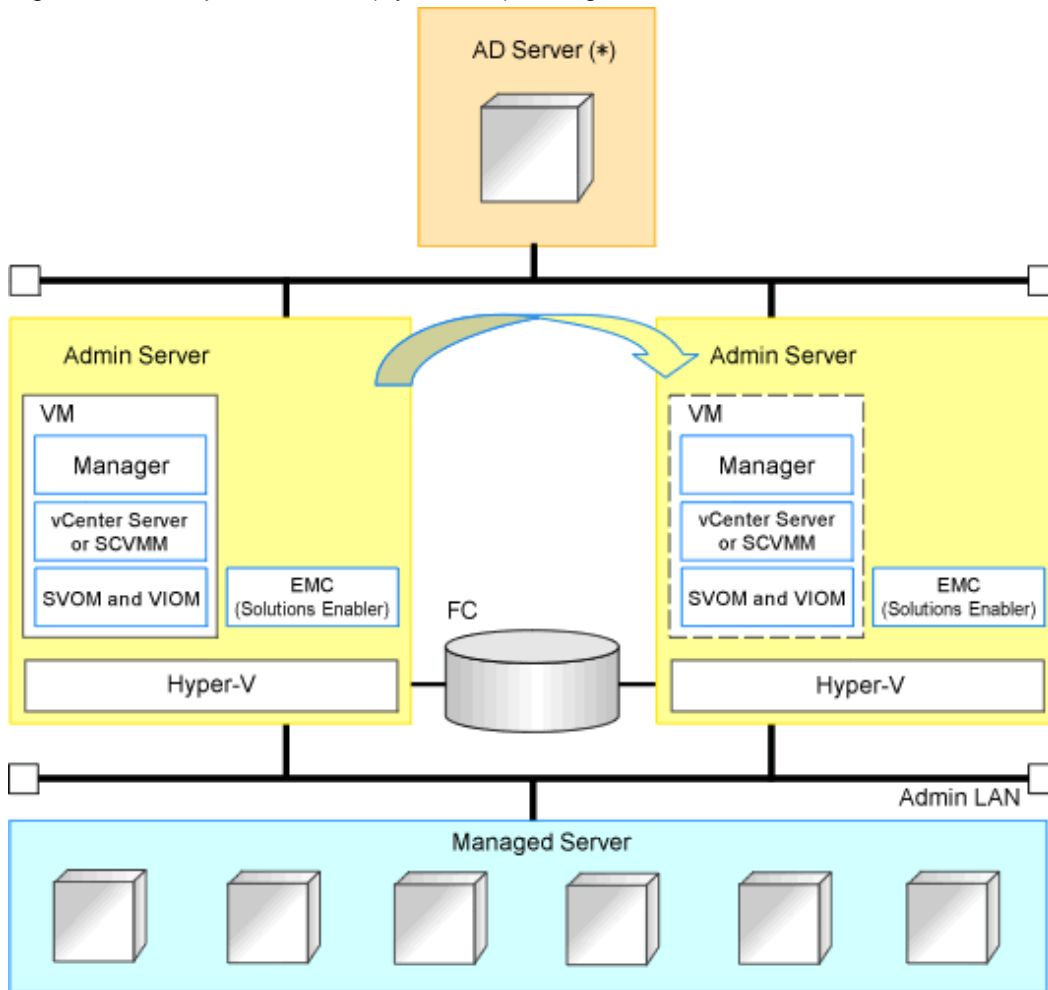
Figure 7.2 Example: For Non-EMC (Symmetrix) Storage



\* Note: AD Server can be placed on each admin server.



Figure 7.3 Example: For EMC (Symmetrix) Storage



\* Note: AD Server can be placed on each admin server.

# Chapter 8 Defining and Configuring the Server Environment

This chapter explains how to define and configure server environments.

## 8.1 Defining the Server Environment

This section explains how to define setting values for server environments.

In this product, it corresponds to the following kind of servers. Decide the value to set for the server according to the kind of the server.

- Blade Servers

For details, refer to "[8.1.1 Settings for Blade Servers](#)".

- Rack Mount and Tower Servers

For details, refer to "[8.1.2 Settings for Rack Mount and Tower Servers](#)".

- PRIMEQUEST

For details, refer to "[8.2.3 Configuring PRIMEQUEST](#)".

- SPARC Enterprise M3000/T Series and SPARC M10-1/M10-4/M12-1/M12-2

For details, refer to "[8.1.4 Setting Values for SPARC Enterprise \(M3000/T5120/T5140/T5220/T5240/T5440\) and SPARC M10-1/M10-4/M12-1/M12-2/M12-1/M12-2](#)".

When switching over SPARC Enterprise servers, refer to "[8.1.6 Settings when Switching Over SPARC M10/M12 or SPARC Enterprise Servers](#)".

- SPARC Enterprise M4000/M5000/M8000/M9000 and SPARC M10-4S/M12-2S

Refer to "[8.1.5 Setting Values for SPARC Enterprise M4000/M5000/M8000/M9000 and SPARC M10-4S/M12-2S/M12-2S](#)".

When switching over SPARC Enterprise servers, refer to "[8.1.6 Settings when Switching Over SPARC M10/M12 or SPARC Enterprise Servers](#)".

Servers that do not use the server management software will be treated as "Rack Mount and Tower Servers".

For servers other than HP servers, a Baseboard Management Controller (hereinafter BMC) is used for server management.

For details on modifying values for monitoring timeout of power control operations, refer to "Changing Monitoring Timeout Values of Physical Server Power Operations" in "Appendix A Notes on Operating ServerView Resource Orchestrator" in the "Operation Guide CE".

When creating a physical L-Server, it is necessary to configure VIOM, ISM, or HBA address rename settings as well as defining and configuring the server environment.

For details, refer to "[Prerequisites for Storage when Creating a Physical L-Server](#)" in "[D.3.1 Deciding the Storage Environment](#)".

### 8.1.1 Settings for Blade Servers

Choose values for the following management blade settings, given the following criteria:

**Chassis name**

This name is used to identify the chassis on the admin server. Each chassis name must be unique within the system.

The first character must be alphabetic, and the name can contain up to 10 alphanumeric characters and hyphens ("-").

**Admin IP address (IP address of the management blade)**

These IP addresses can be used to communicate with the admin server.

**SNMP community name**

This community name can contain up to 32 alphanumeric characters, underscores ("\_"), and hyphens ("-").

### SNMP trap destination

This must be the IP address of the admin server.

### Monitoring Timeout Values of Power Operations

For details on modifying values for monitoring timeout of power control operations, refer to "Changing Monitoring Timeout Values of Physical Server Power Operations" in "Appendix A Notes on Operating ServerView Resource Orchestrator" in the "Operation Guide CE".



To enable server switchover and cloning between servers in different chassis, use the same SNMP community for each chassis.

## 8.1.2 Settings for Rack Mount and Tower Servers

---

Resource Orchestrator supports the following types of remote management controllers to manage servers.

- For PRIMERGY Servers
  - iRMC
- For HP Servers
  - iLO2 (integrated Lights-Out)
- For DELL or IBM Servers
  - BMC (Baseboard Management Controller)

### Settings for Remote Management Controller

Choose values for the following remote management controller settings according to the criteria listed below.

#### Admin IP address (IP address of the IPMI controller)

These IP addresses can be used to communicate with the admin server.

#### User name

Name of the user account used to log in the remote management controller and gain control over the managed server.

A user account with at least administration privileges within the remote management controller must be specified.

The user name can contain up to 16 alphanumeric characters and symbols (ASCII characters 0x20 to 0x7e).

If a user account with a name of 17 or more characters has already been set up, either create a new user account or rename it with a name of up to 16 characters.

#### Password

Password used to log in the remote management controller with the above user name.

The user name can contain up to 16 alphanumeric characters and symbols (ASCII characters 0x20 to 0x7e).

If a user account with password of 17 or more characters has already been set up, either create a new user account or change the password with one of up to 16 characters.

#### SNMP trap destination

The destination for SNMP traps sent by the remote management controller should be set as the admin server's IP address.

#### Monitoring Timeout Values of Power Operations

For details on modifying values for monitoring timeout of power control operations, refer to "Changing Monitoring Timeout Values of Physical Server Power Operations" in "Appendix A Notes on Operating ServerView Resource Orchestrator" in the "Operation Guide CE".

## Settings for External Server Management Software (ServerView Agents)

For PRIMERGY servers, the server status can be monitored from external server management software (ServerView Agents). In that case, choose a value for the following setting.

### SNMP community name

Name of the SNMP community used to communicate with the server management software (ServerView Agents) on the managed server.

This community name can contain up to 32 alphanumeric characters, underscores ("\_"), and hyphens ("-").

### Monitoring Timeout Values of Power Operations

For details on modifying values for monitoring timeout of power control operations, refer to "Changing Monitoring Timeout Values of Physical Server Power Operations" in "Appendix A Notes on Operating ServerView Resource Orchestrator" in the "Operation Guide CE".



### Note

Use the same SNMP community for each server when using server switchover and cloning functions.

## 8.1.3 Settings for PRIMEQUEST

---

Choose values for the following management board settings, given the following criteria:

### Chassis name

This name is used to identify the PRIMEQUEST chassis on the admin server. Each chassis name must be unique within the system. The first character must be alphabetic, and the name can contain up to 10 alphanumeric characters and hyphens ("-").

### Admin IP address (Virtual IP address of the management board)

These IP addresses can be used to communicate with the admin server.

### User name

Name of the user account used to log into remote server management and gain control over the managed server. A user account with at least administration privileges within the remote server management must be specified. This password must be between 8 and 16 alphanumeric characters long.

### Password

Password used to log in the remote management controller with the above user name. This password must be between 8 and 16 alphanumeric characters long.

### SNMP community name

This community name can contain up to 32 alphanumeric characters, underscores ("\_"), and hyphens ("-").

### SNMP trap destination

This must be the IP address of the admin server.

### Monitoring Timeout Values of Power Operations

For details on modifying values for monitoring timeout of power control operations, refer to "Changing Monitoring Timeout Values of Physical Server Power Operations" in "Appendix A Notes on Operating ServerView Resource Orchestrator" in the "Operation Guide CE".



### Note

- To enable server cloning between servers in different chassis, use the same SNMP community for each chassis.
- When using a PRIMEQUEST 2000 series, the following partitions can be registered as managed servers.
  - PPAR partitions with "Extended Partitioning Mode" set to "Disable"

- Extended partitions configured on PPAR partitions with "Extended Partitioning Mode" set to "Enable"

Do not change the Extended Partitioning Mode or PPAR Extended Partition configuration after server registration.

When the Extended Partitioning Mode is changed to "Enable" after server registration, "Extended Partitioning Mode" is displayed, but the PPAR cannot be used.

When changing the Extended Partitioning Mode or Extended Partition configuration, first delete the server from the managed server on the ROR console. Then register the server again after changing the Extended Partitioning Mode or Extended Partition configuration.

---

## 8.1.4 Setting Values for SPARC Enterprise (M3000/T5120/T5140/T5220/T5240/T5440) and SPARC M10-1/M10-4/M12-1/M12-2

---

Resource Orchestrator is able to manage SPARC Enterprise servers by using their XSCF interface for the M3000 series and the ILOM interface for the T series as a remote management controller.

### For SPARC Enterprise M3000 and SPARC M10-1/M10-4/M12-1/M12-2

For M3000, choose values for the following XSCF settings according to the criteria listed below.

#### Admin IP address (IP address of the IPMI controller)

These IP addresses can be used to communicate with the admin server.

Set it to lan#0 of XSCF.

#### User name

Name of the user account used to log into XSCF and gain control over the managed server.

A user account with "platadm" privileges within XSCF must be specified.

The user name must start with an alphabet character, and can contain up to 31 alphanumeric characters, underscores ("\_"), and hyphens ("-").

The user name reserved for the system cannot be used. Create a different user name.

For details, refer to the XSCF manual.

#### Password

Password used to log into the remote management controller with the above user name.

The user password can contain up to 32 alphanumeric characters, blank spaces (" "), and any of the following characters.

"! ", "@", "#", "\$", "%", "^", "&", "\*", "[", "]", "{", "}", "(", ")", "-", "+", "=", "~", ";", ">", "<", "/", "", "?", ":", ";"

#### SNMP trap destination

The destination for SNMP traps sent by XSCF should be set to the admin server's IP address.

#### SNMP community name

Name of the SNMP community used to communicate with XSCF.

This community name can contain up to 32 alphanumeric characters, underscores ("\_"), and hyphens ("-").

#### Monitoring Timeout Values of Power Operations

For details on modifying values for monitoring timeout of power control operations, refer to "Changing Monitoring Timeout Values of Physical Server Power Operations" in "Appendix A Notes on Operating ServerView Resource Orchestrator" in the "Operation Guide CE".

### For T Series

For the T series, choose values for the following ILOM settings according to the criteria listed below.

#### Admin IP address (IP address of the IPMI controller)

These IP addresses can be used to communicate with the admin server.

### User name

The name of the user account used to log into ILOM and gain control over the managed server.  
A user account with Admin privileges within ILOM must be specified.

The user name must start with an alphabet character, and can contain between 4 and 16 alphanumeric characters, underscores ("\_"), and hyphens ("-").

### Password

Password used to log into the remote management controller with the above user name.

The user password can contain between 8 and 16 alphanumeric characters, blank spaces (" "), and any of the following characters.  
"! ", "@", "#", "\$", "%", "^", "&", "\*", "[", "]", "{", "}", "(, )", "-", "+", "=", "~", ";", ">", "<", "/", "", "?", ";", ":"

### SNMP trap destination

The destination for SNMP traps sent by ILOM should be set to the admin server's IP address.

### SNMP community name

Name of the SNMP community used to communicate with ILOM.

This community name can contain up to 32 alphanumeric characters, underscores ("\_"), and hyphens ("-").

### Monitoring Timeout Values of Power Operations

For details on modifying values for monitoring timeout of power control operations, refer to "Changing Monitoring Timeout Values of Physical Server Power Operations" in "Appendix A Notes on Operating ServerView Resource Orchestrator" in the "Operation Guide CE".

## 8.1.5 Setting Values for SPARC Enterprise M4000/M5000/M8000/M9000 and SPARC M10-4S/M12-2S

---

Resource Orchestrator is able to manage SPARC Enterprise M4000/M5000/M8000/M9000 servers and servers in SPARC M10-4S/M12-2S by using their XSCF interface as a remote management controller.

Choose values for the following XSCF settings according to the criteria listed below.

### Chassis name

This name is used to identify the chassis for SPARC Enterprise M4000/M5000/M8000/M9000 and SPARC M10-4S/M12-2S on the admin server. Each chassis name must be unique within the system.

The first character must be alphabetic, and the name can contain up to 10 alphanumeric characters and hyphens ("-").

### Admin IP address

These IP addresses can be used to communicate with the admin server.

Set it to lan#0 of XSCF.

### User name

Name of the user account used to log into XSCF and gain control over the managed server.

A user account with "platadm" privileges within XSCF must be specified.

This name can contain up to 31 alphanumeric characters, hyphens ("-"), and underscores ("\_").

The user name reserved for the system cannot be used. Create a different user name.

For details, refer to the XSCF manual.

### Password

Password used to log into the remote management controller with the above user name.

The user password can contain up to 32 alphanumeric characters, blank spaces (" "), and any of the following characters.

"! ", "@", "#", "\$", "%", "^", "&", "\*", "[", "]", "{", "}", "(, )", "-", "+", "=", "~", ";", ">", "<", "/", "", "?", ";", ":"

### SNMP trap destination

The destination for SNMP traps sent by XSCF should be set to the admin server's IP address.

## SNMP community name

Name of the SNMP community used to communicate with XSCF.

This community name can contain up to 32 alphanumeric characters, underscores ("\_"), and hyphens ("-").

## Changing Monitoring Timeout Values of SPARC M10-4S/M12-2S Power Operations

When using SPARC M10-4S/M12-2S, the length of time from starting to completion of power operations increases proportionally to the scale of Building Block configurations. Estimate the timeout values based on actual measured values, by performing power operations with an actual machine, after creating Building Block configuration environments.

The timeout values are changed for all M10-4S/M12-2S managed by the manager. When there are servers in multiple Building Block configurations, estimate the timeout values using the largest Building Block configuration environment.

When changing the timeout value, create the following definition file:

### Storage Location of the Definition File

[Windows Manager]

*Installation\_folder*\SVROR\Manager\etc\customize\_data

[Linux Manager]

/etc/opt/FJSVrcvmr/customize\_data

### Definition File Name

power\_timeout.rcxprop

### Definition File Format

In the definition file, enter the configuration information (model name, timeout value of server powering on, timeout value of server powering off, etc.) for each server in a single line, separated by commas (","). Each line is entered in the following format.

```
model,boot_timeout,shutdown_timeout
```

- Blank spaces before and after commas (",") are ignored.
- When adding comments, start the line with a number sign ("#").

### Definition File Items

Specify the following items.

#### model

Enter the model name of the server to change the timeout value for. Enter M10-4S/M12-2S.

#### boot\_timeout

Enter the timeout value for powering on of the server.

Enter an integer. The unit is seconds.

When descriptions other than the above are entered, the default timeout value is used. (default value: 2700 seconds)

#### shutdown\_timeout

Enter the timeout value for powering off of the server.

Enter an integer. The unit is seconds.

When descriptions other than the above are entered, the default timeout value is used. (default value: 1200 seconds)



## Example

```
M10-4S,2700,1200
```

## Modification Procedure of Definition Files

It is not necessary to restart the manager after creating or modifying definition files. The entered descriptions are reflected after modification of definition files.

### 8.1.6 Settings when Switching Over SPARC M10/M12 or SPARC Enterprise Servers

---

When integrating with ESC, it should be configured first. Register the Fibre Channel switches and storage units connected to managed servers on ESC.



When integrating with ESC, do not register servers used as spare server for Resource Orchestrator on ESC.

After registration, collect WWNs of HBAs set on physical servers or WWNs of CAs set on storage units.

#### Collection of WWNs of HBA Set on Physical Servers

From the client window of ESC, collect the WWNs for HBAs contained in the registered servers.  
For servers that are not registered on ESC, collect WWNs from the seals, drivers, and utilities provided with HBA cards.  
Refer to the storage device manual of each storage device for details.

#### Collection of WWNs of CA Set on Storage Units

From the client window of ESC, collect the WWNs for HBAs contained in the registered storage.  
Refer to the storage device manual of each storage device for details.

Collected WWNs are reflected in the relationship between physical servers and HBA WWNs from the perspective of the server, and in the relationship between the storage CA and WWNs from the perspective of storage devices.

System configuration requires that the relationship between HBA WWNs, storage CA WWNs, and volumes from the perspective of storage devices be defined clearly.

When using a multi-path configuration, design the values to match the order of HBAs configured as primary servers or spare servers with those of the corresponding CAs.



For integration with ESC, Resource Orchestrator supports configurations where managed servers have up to eight HBA ports mounted.

#### [OVM for SPARC]

For OVM for SPARC environments, configure the boot settings of the primary server as follows:

- XSCF physical partition operation mode

Autoboot(Guest Domain): off

For details, refer to the "Fujitsu SPARC M12 and Fujitsu M10/SPARC M10 XSCF Reference Manual".

- OBP settings of all domains (control domain, guest domain, IO domain)

auto-boot?: true

For details, refer to "Oracle VM Server for SPARC Administration Guide" provided by Oracle.

For the status of the OVM for SPARC environment after server switchover, refer to "Appendix A Notes on Operating ServerView Resource Orchestrator" in the "Operation Guide VE".

For OVM for SPARC environments, only LUN (/dev/dsk/cXtXdXs2) can be used as the virtual disk of the guest domain.





## Note

- If Autoboot(Guest Domain) for XSCF is "on", when the control domain is started, the guest domain is started accordingly.  
Due to the specifications of OVM for SPARC, the boot order of the IO domain and the guest domain cannot be controlled. Therefore, if booting of the guest domain starts before the IO domain, booting of the guest domain may fail.  
Perform configuration to boot the IO domain and the guest domain in order using the server switchover process of Resource Orchestrator.  
For details, refer to "18.5.3 Definition File of IO Domain" in the "User's Guide VE".
- If Autoboot(Guest Domain) for XSCF is "off", when the control domain is powered on, the guest domain is not powered on. In this case, each guest domain must be powered on respectively.
- If auto-boot? for the guest domain or IO domain is "false", after the server switchover, the boot process of the guest domain or the IO domain is only processed until it reaches the OBP. In this case, after server switchover, manually start the guest domain or IO domain.
- If the auto-boot? for the control domain is "false", after server switchover the boot process of the control domain is only processed until it reaches the OBP, so server switchover will fail.
- When configuring server switchover settings, set Autoboot(Guest Domain) for the physical partition operation mode on XSCF on the stand-by server to "off".
- If server switchover ends abnormally, it will be necessary to restore the environment manually.  
In case of such an event, record the information of the environment when performing configuration.  
For details on the ldm command, refer to the "Oracle VM Server for SPARC Administration Guide" provided by Oracle.
  - The port number used for the console of the guest domain (if a fixed console number has been set)
  - Physical I/O device information allocated to the control domain and the IO domainFor details, refer to "2.5 Server Switchover and Failback Issues" in "Troubleshooting".

## Prerequisites for Server Switchover

For details on prerequisites of server switchover, refer to "9.3 Server Switchover Conditions" in the "Setup Guide VE".

## 8.2 Configuring the Server Environment

---

This section describes how to configure servers and chassis for Resource Orchestrator.

Set it according to the value decided in "8.1 Defining the Server Environment" as follows.

- Configuring Blade Servers  
For details, refer to "8.2.1 Configuring Blade Servers".
- Configuring Rack Mount and Tower Servers  
For details, refer to "8.2.2 Configuring Rack Mount and Tower Servers".
- Settings for PRIMEQUEST  
For details, refer to "8.2.3 Configuring PRIMEQUEST".
- Configuring SPARC Enterprise M3000 and SPARC M10-1/M10-4/M12-1/M12-2  
Please refer to the following.  
["8.2.4 Configuring SPARC Enterprise M3000 and SPARC M10-1/M10-4/M12-1/M12-2/M12-1/M12-2"](#)  
["8.2.9 Configuring OBP \(Open Boot Prom\) Settings \(SPARC M10/M12 and SPARC Enterprise\)"](#)
- Configuring SPARC Enterprise M4000/M5000/M8000/M9000 and SPARC M10-4S/M12-2S  
Please refer to the following.

["8.2.5 Configuring SPARC Enterprise M4000/M5000/M8000/M9000 and SPARC M10-4S/M12-2S/M12-2S"](#)

["8.2.9 Configuring OBP \(Open Boot Prom\) Settings \(SPARC M10/M12 and SPARC Enterprise\)"](#)

- Settings for SPARC Enterprise T Series

Please refer to the following.

["8.2.6 Configuring SPARC Enterprise T5120/T5140/T5220/T5240/T5440"](#)

["8.2.9 Configuring OBP \(Open Boot Prom\) Settings \(SPARC M10/M12 and SPARC Enterprise\)"](#)

On the following servers, configure the settings as described in ["8.2.7 Configuring BIOS Settings of Managed Servers"](#).

- Blade Servers (only when not using VIOM)
- Settings for rack mount (only when not using VIOM or ISM) and tower servers
- PRIMEQUEST

When an OS has been installed on the managed server, configure the settings as described in ["8.2.8 Configuring OS Settings of Managed Servers"](#).

When VMware ESXi has been installed on the managed server, configure the settings as described in ["8.2.10 Configuring ServerView Operations Manager \(VMware ESXi\)"](#).

## 8.2.1 Configuring Blade Servers

---

Refer to the management blade manual to apply the settings chosen in ["8.1.1 Settings for Blade Servers"](#) to the management blade. Note that the SNMP community must be set to Write (read and write) access.

- Admin IP address (IP address of the management blade)
- SNMP community name
- SNMP trap destination

This must be the IP address of the admin server.

Refer to the management blade manual to set the following SNMP agent settings.

- Set Agent SNMP Enable  
Set to "enable".
- Set Agent SNMP Security Enable  
Set to "disable".



### Note

When powering off a chassis together with its enclosed server blades, servers are shut down using the graceful shutdown option of the management blade. To enable this feature, all servers within the chassis should have ServerView Agents installed.

## 8.2.2 Configuring Rack Mount and Tower Servers

---

Refer to the remote management controller manual to configure the following on the IPMI controller.

- Admin IP address (IP address of the IPMI controller)
- User name

- Password
- SNMP trap destination

This must be the IP address of the admin server.

## 8.2.3 Configuring PRIMEQUEST

---

Refer to the management board manual to apply the settings chosen in "[8.1.3 Settings for PRIMEQUEST](#)" to the management board. Note that the SNMP community must be set to Write (read and write) access.

- Admin IP address (Virtual IP address of the management board)
- User name
- Password
- SNMP community name
- SNMP trap destination

This must be the IP address of the admin server.

Enable the following function referring the instructions given in the management board's manual.

- SNMP Agent

## 8.2.4 Configuring SPARC Enterprise M3000 and SPARC M10-1/M10-4/M12-1/M12-2

---

Refer to the management controller (XSCF) manual to apply the settings chosen in "[8.1.4 Setting Values for SPARC Enterprise \(M3000/T5120/T5140/T5220/T5240/T5440\) and SPARC M10-1/M10-4/M12-1/M12-2/M12-1/M12-2](#)" to the management controller.

- Admin IP address (IP address of the IPMI controller)
- User name
- Password
- SNMP community name
- SNMP trap destination

This must be the IP address of the admin server.

Refer to the remote management controller (XSCF) manual to configure the following on the IPMI controller.

- SNMP Agent (Also enable SP\_MIB)
- SSH Service
- HTTPS Service



- When assigning multiple IP addresses to multiple network interfaces on a XSCF module, ensure that the IP address used by Resource Orchestrator is assigned to the first of those network interfaces.
- For SNMP settings in XSCF, enable SNMPv1 communication.

Set as follows to automatically start up the OS when powering on.

- Set the "Autoboot" of the Domain Mode to "on".

- Set the mode switch of the operator panel to "Locked".

## 8.2.5 Configuring SPARC Enterprise M4000/M5000/M8000/M9000 and SPARC M10-4S/M12-2S

---

Refer to the management controller (XSCF) manual to apply the settings chosen in "[8.1.5 Setting Values for SPARC Enterprise M4000/M5000/M8000/M9000 and SPARC M10-4S/M12-2S/M12-2S](#)" to configure the following on the IPMI controller.

Note that the SNMP community must be set to Write (read and write) access.

- Admin IP address (IP address of the remote management controller)
- User name
- Password
- SNMP community name
- SNMP trap destination

This must be the IP address of the admin server.

Refer to the instructions given in the XSCF manual and enable the following functions.

- SNMP Agent (Also enable SP\_MIB)
- SSH Service
- HTTPS Service
- Domain Autoboot



### Note

- For SNMP settings in XSCF, enable SNMPv1 communication.

Set as follows to automatically start up the OS when powering on.

- Set the "Autoboot" of the Domain Mode to "on".
- Set the mode switch of the operator panel to "Locked".

## 8.2.6 Configuring SPARC Enterprise T5120/T5140/T5220/T5240/T5440

---

Refer to the management controller (ILOM) manual to apply the settings chosen in "[8.1.4 Setting Values for SPARC Enterprise \(M3000/T5120/T5140/T5220/T5240/T5440\) and SPARC M10-1/M10-4/M12-1/M12-2/M12-1/M12-2](#)" to configure the following on the IPMI controller.

- Admin IP address (IP address of the IPMI controller)
- User name
- Password
- SNMP community name
- SNMP trap destination

This must be the IP address of the admin server.

Refer to the instructions given in the ILOM manual and enable the following functions.

- SNMP Agent
- SSH Configuration
- HTTPS Configuration
- IPMI Status

### Note

For SNMP settings in ILOM, enable SNMPv1 communication.

## 8.2.7 Configuring BIOS Settings of Managed Servers

---

The following BIOS configurations must be modified.

### System BIOS

This is the system BIOS for a managed server.

Enable or disable and FC-HBA BIOS as appropriate, and set up the appropriate boot order.

### Note

- The BIOS settings of server blades include an option to automatically start up servers when their enclosing chassis is powered on. For details, refer to the server blade manual.
- For PRIMERGY BX900/BX400, when a PG-LND203 is mounted as the LAN expansion card of the server blade, do not set the NIC of the LAN expansion card as [disable] in the server blade's BIOS settings. The connections between server blades and LAN switch blades are not shown correctly, when [disable] is set. The following functions do not operate correctly.
  - Changing and setting the VLAN for LAN switch blades (internal and external ports)
  - Server switchover (changing network settings while a server is switched over)
- For PRIMERGY BX900/BX400 series, if "UEFI" and "Legacy" are displayed when configuring boot settings from the network interface, select [Legacy].
- Set PXE VLAN Support to [Disabled] when the server switchover method is HBA address rename.

### FC-HBA BIOS

This is a BIOS setting that relates to FC-HBAs that have been installed as an expansion card in the blade server.

Enable or disable SAN boot as well as the connection of a SAN storage environment by means of a Fibre Channel switch.

Configure the following settings depending on the operating environment.

- **When using HBA address rename for SAN boot**

### System BIOS

Enable the FC-HBA BIOS.

Set the boot order as follows:

1. Boot from the first admin LAN network interface (NIC1 (Index1))
2. Boot from the network interface used by the admin LAN (NIC2 (Index2))
3. Boot from CD-ROM (when a CD-ROM drive is connected)
4. Boot from a storage device

For servers with a system BIOS providing [Keep Void Boot Options] in their Boot menu, set [Enabled] for [Keep Void Boot Options].

Furthermore, when using a managed server as a spare server, after storage connected due to server switchover is recognized by BIOS, perform BIOS settings.

Otherwise, the boot order may be changed.

### Note

- Do not change the boot order once a managed server has commenced operation. Even when booting from disk, there is no need to change the boot order.
- NICs other than NIC1 and NIC2 can also be used for the admin LAN. In this case, switch the order of step 1 and step 2. When using NICs other than NIC1 and NIC2 for the admin LAN, specify the same NIC configured in this procedure when registering the server.

For details, refer to "5.4.2 Registering Blade Servers" or "5.5.1 Registering Rack Mount or Tower Servers" in the "User's Guide for Infrastructure Administrators (Resource Management) CE".

- If "UEFI" and "Legacy" are displayed when configuring boot settings from the network interface, select "Legacy".

## FC-HBA BIOS

Enable booting from SAN storage devices.

Refer to the manual of each FC-HBA for details on FC-HBA BIOS settings.

### Note

- Restart the server saving BIOS configuration changes.
- HBA address rename may not work properly with older BIOS firmware versions. Please obtain and update the latest BIOS firmware from the following web site.

URL: <http://www.fujitsu.com/global/services/computing/server/ia/>

## - When Using VIOM or ISM (SAN Boot)

### System BIOS

Enable the FC-HBA BIOS.

Set the boot order as follows:

1. Boot from the first admin LAN network interface (NIC1 (Index1))
2. Boot from the network interface used by the admin LAN (NIC2 (Index2))
3. Boot from CD-ROM (when a CD-ROM drive is connected)
4. Boot from a storage device

### Note

NICs other than NIC1 and NIC2 can also be used for the admin LAN. In this case, switch the order of step 1 and step 2. When using NICs other than NIC1 and NIC2 for the admin LAN, specify the same NIC configured in this procedure when registering the server.

For details, refer to "5.4.2 Registering Blade Servers" or "5.5.1 Registering Rack Mount or Tower Servers" in the "User's Guide for Infrastructure Administrators (Resource Management) CE".

## FC-HBA BIOS

Apply the same settings as those described in the above "When using HBA address rename for SAN boot" section.

### - When Using VIOM (iSCSI Boot)

#### System BIOS

Enable iSCSI boot for the NIC that is used for the iSCSI LAN.

Use the VIOM server profile for the iSCSI boot parameter settings.

For details on server profile setup, refer to the ServerView Virtual-IO Manager manual.

Set the boot order as follows:

1. Boot from the first admin LAN network interface (NIC1 (Index1))
2. Boot from the network interface used by the admin LAN (NIC2 (Index2))
3. Boot from the network interface used for the iSCSI LAN (NIC3(Index3))
4. Boot from the network interface used for the iSCSI LAN (NIC4(Index4))

#### Note

- Do not change the boot order once a managed server has commenced operation. Even when booting from disk, there is no need to change the boot order.
- NICs other than NIC1 and NIC2 can also be used for the admin LAN. In this case, switch the order of step 1 and step 2. When using NICs other than NIC1 and NIC2 for the admin LAN, specify the same NIC configured in this procedure when registering the server.  
  
For details, refer to "5.4.2 Registering Blade Servers" or "5.5.1 Registering Rack Mount or Tower Servers" in the "User's Guide for Infrastructure Administrators (Resource Management) CE".
- When using NIC3 or NIC4 for the admin LAN, use NICs other than NIC3 and NIC4 for the iSCSI LAN. In this case, switch the order of step 3 and step 4.

#### FC-HBA BIOS

Disable the function.

## 8.2.8 Configuring OS Settings of Managed Servers

---

When using the following functions, configure the OS to respond to ping commands.

- Auto-Recovery (for rack mount or tower servers)
- Configuration of monitoring information (ping monitoring)

## 8.2.9 Configuring OBP (Open Boot Prom) Settings (SPARC M10/M12 and SPARC Enterprise)

---

When managing SPARC M10/M12 or SPARC Enterprise servers from Resource Orchestrator, set the "auto-boot?" option to "true" in the OBP configuration. Otherwise, the operating system will not automatically start up when powering on SPARC M10/M12 or SPARC Enterprise servers.

### - SAN Boot Settings

Configure the following settings on OBP for automatic boot from SAN storage devices.

- auto-boot?  
Set to "true".

### - boot-device

Set with a boot disk identifier at the beginning.

Configure the following settings on OBP for HBAs connected to the boot disk.

- HBA boot

Enable the function.

- Topology

Set to NPORT connection.

- Target devices

Configure based on the values set in "[8.1.6 Settings when Switching Over SPARC M10/M12 or SPARC Enterprise Servers](#)".

For details, refer to "SPARC Enterprise SAN Boot Environment Build Guide" of the Fibre Channel card driver manual.

## 8.2.10 Configuring ServerView Operations Manager (VMware ESXi)

---

When managing VMware ESXi using Resource Orchestrator, register the target VMware ESXi with ServerView Operations Manager.

For details, refer to the ServerView Operations Manager manual.



.....  
In ServerView Operations Manager, it is necessary to monitor target VMware ESXi using ServerView ESXi CIM Provider.  
.....



.....  
When modifying the VM search settings of ServerView Operations Manager, configure the settings to display VMware ESXi as the virtual platform.  
.....



# Chapter 9 Defining and Configuring the Network Environment

This chapter explains how to define and pre-configure the network environment.

Use the following procedure to define and pre-configure the network environment.

1. Defining the Network Environment  
Design a network and define the network environment to set up.
2. Defining Configuration Settings for Devices  
Define the information to use to configure devices for use in the defined network environment.
3. Pre-configure Devices  
Pre-configure the devices to be used in the defined network environment.
4. Preparations for Resource Orchestrator Network Environments  
Perform the preparations necessary for setting up the Resource Orchestrator network environment.

## 9.1 Defining the Network Environment

When defining a network environment, the physical network device configuration should be designed considering the virtual systems that will actually be provided to the users.

### Resource Orchestrator Networks

Resource Orchestrator networks are categorized into the following three types:

- Network for the Admin LAN  
The admin LAN is the network used by admin servers to communicate with agents on managed servers and other managed devices (network and storage devices) for performing installation, operation, and maintenance.
- Network for the Public LAN  
The public LAN is the network used by managed servers and managed network devices (firewalls, server load balancers, L2 switches, and Ethernet Fabric switches) to provide services over internal or external networks (such as intranets or the Internet).
- Network for the iSCSI LAN  
The iSCSI LAN is the network designed for communication between managed servers and storage devices.

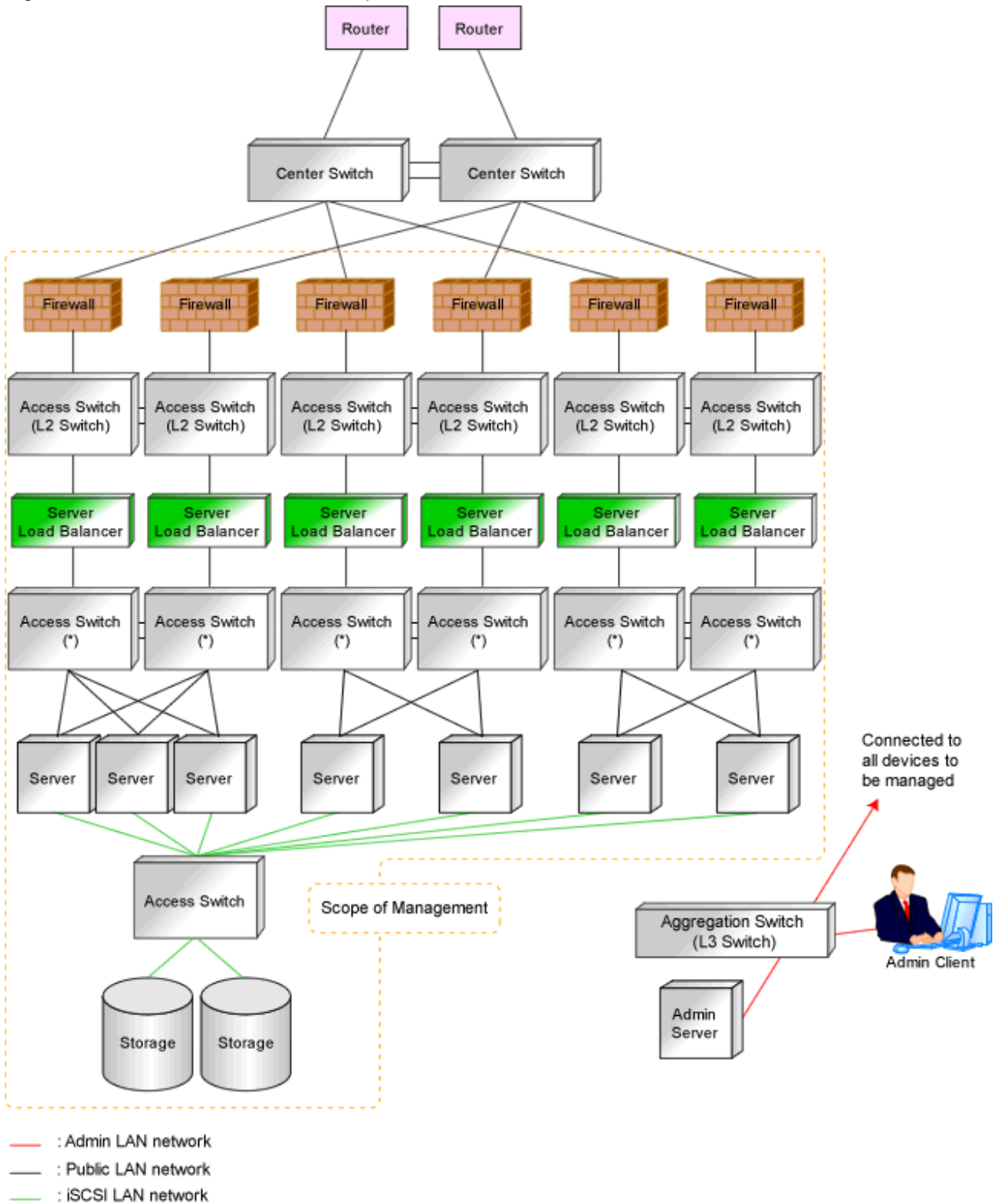
For keeping operations secure, it is recommended to physically configure each network separately.

The maximum value of the subnet mask of the network that Resource Orchestrator supports is 255.255.255.255 (32-bit mask). The minimum value is 255.255.0.0 (16-bit mask). However, 255.255.255.254 is not supported.

#### Information

The admin LAN and iSCSI LAN are the networks that only infrastructure administrators need to be concerned about in normal operation.

Figure 9.1 Network Environment Example



\* Note: L2 switches or Ethernet fabric switches.

### 9.1.1 Admin LAN Network Design

Managed devices (servers, storage units, and network devices), the admin server, and the admin client are connected to the admin LAN.

An admin LAN can be divided into multiple admin LANs. Using this function, communication among tenants on physical L-Servers performed through an admin LAN can be prevented.

When using multi-tenant functions, prepare a separate admin LAN for each tenant, and configure the admin LAN for each tenant for network pools.

This improves the security of the network.

### 9.1.1.1 Information Necessary for Design

When designing an admin LAN, the following information needs to be defined beforehand:

- The number of tenants
- The number of VLAN IDs for use on the admin LAN

As the upper limit of the number of VLAN IDs varies depending on the device, when using devices that connect with both the admin and public LANs, ensure that the number does not exceed the maximum.

- The scope of VLAN IDs for use on the admin LAN

As the available VLAN ID range varies depending on the device, when using the devices that connect with both the admin and public LANs, ensure that ranges do not overlap.

- The IP address range of the admin LAN

When using admin LANs with multiple subnets, communication from the admin server to the managed devices and admin clients is necessary, so ensure that the subnet address range does not overlap between different admin LANs.

- Whether to configure admin route redundancy

### 9.1.1.2 Admin LAN for Servers

For each server, choose the network interfaces to use for the following purposes.

- Network interface assigned to the admin LAN

The number of network interfaces required for the admin server and managed servers can be determined as follows.

For a non-redundant configuration: one network interface

For a redundant configuration: two network interfaces

If HBA address rename is used, two network interfaces (named NIC1 and NIC2) are required regardless of network redundancy.

For details, refer to "[9.1.1.5 Required Network Configuration when Using HBA address rename](#)".

#### **For PRIMERGY Managed Servers**

- For a non-redundant configuration  
NIC1 (Index1)
- For a redundant configuration, or when using HBA address rename  
NIC1 (Index1) and NIC2 (Index2)

The NICs above used by managed servers are the default values, and they can be changed when registering managed servers.

For details, refer to "5.4 When Using Blade Servers" and "5.5 When Using Rack Mount and Tower Servers" in the "User's Guide for Infrastructure Administrators (Resource Management) CE".

#### **For PRIMEQUEST Managed Servers**

- For a non-redundant configuration  
The smallest NIC number of the GSPB allocated to a partition (\*)
- For a redundant configuration  
The smallest and second smallest Onboard LAN NIC numbers of the GSPB allocated to a partition (\*)

\* Note: For the PRIMEQUEST 2000 series, take "GSPB" as meaning "IOU". For Extended Partition, allocate IOU GbE.

### For Rack Mount or Tower Managed Servers

Check the alignment sequence and number of NICs on the back of rack mount or tower servers, and then decide the numbers of NICs specified for the admin LAN using consecutive numbers starting with 1 (such as 1, 2,...).

- For a non-redundant configuration  
NIC 1
- For a redundant configuration  
NIC 1 and NIC 2

Choose the following settings to fit the system environment.

- Whether to use admin LAN redundancy  
Perform the redundancy of the admin LAN as below.
  - For physical L-Servers, use Intel PROSet, GLS, or Linux bonding.
  - For VM hosts, perform redundancy according to the server virtualization software used.
- The network configuration for LAN switch blades



See

When the admin LAN is operated among multiple subnets, install DHCP servers referring to "2.1.1 Manager Installation [Windows Manager]" or "2.1.2 Manager Installation [Linux Manager]" in the "Setup Guide CE".



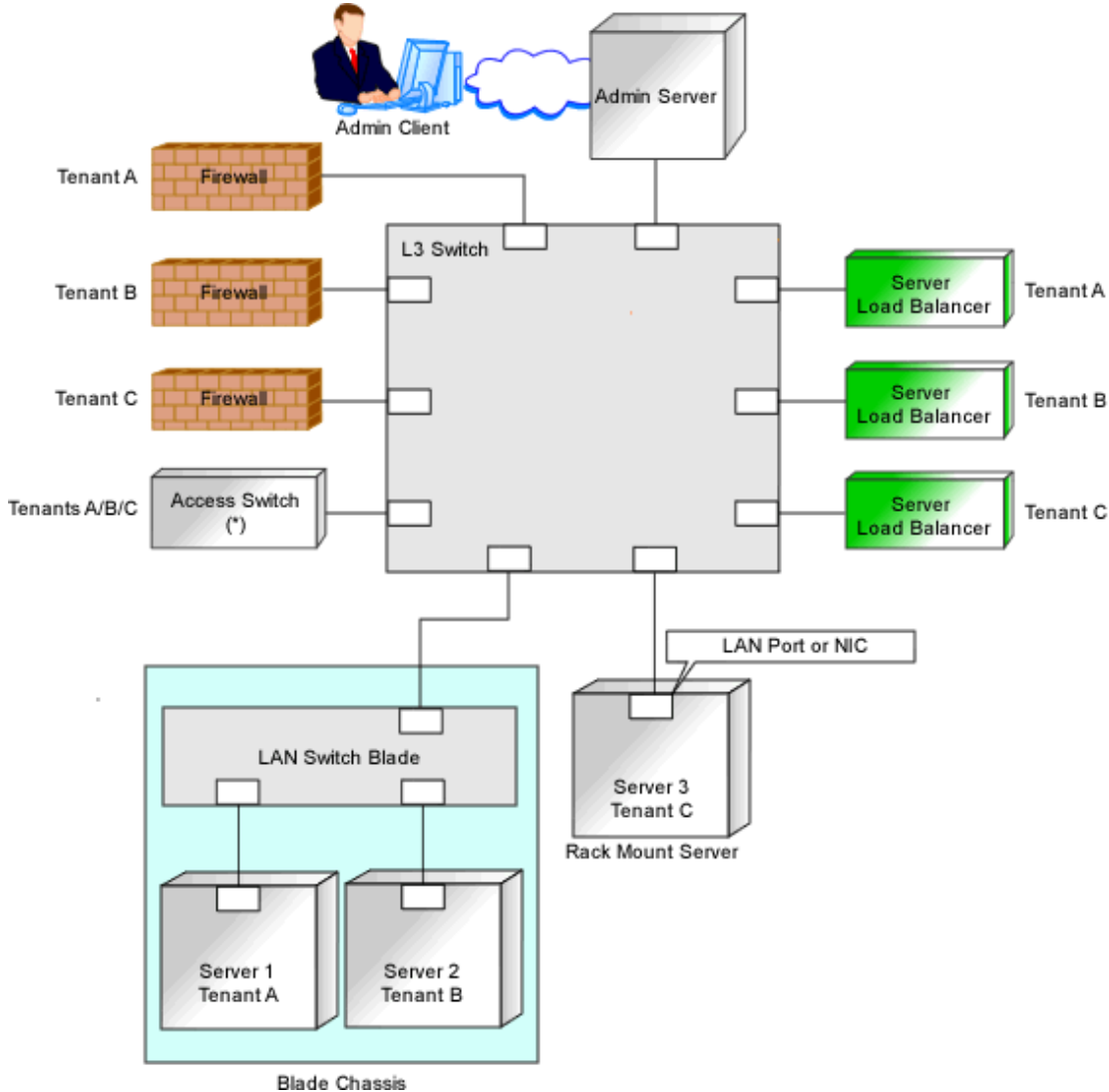
Note

- For the admin server, only a single IP address can be used on the admin LAN.
- A network address that was set when installing the manager has been registered as an admin LAN network resource.
- Change the admin LAN network resource specifications, and register the IP address of a device that is not managed by Resource Orchestrator as an IP address to exclude from allocation.  
If the IP address is not registered, it may conflict with the IP addresses of devices that are not managed by Resource Orchestrator.
- When using blade servers, connecting the management blade to a LAN switch blade will make the management blade inaccessible in the event of a LAN switch blade failure. Therefore, it is recommended that the management blade be connected to the admin LAN using a LAN switch outside the chassis.
- When performing I/O virtualization using HBA address rename, if specifying a 10Gbps expansion card (NIC) for the admin LAN, backup and restore, and cloning cannot be used.
- Do not use products or services that use the functions of other DHCP servers or PXE servers on the admin server.  
However, such products or services can be placed on the same network as Resource Orchestrator managers. In this case, configure the managed server for Resource Orchestrator to be excluded from being managed by any other DHCP server.
- Do not configure multiple IP addresses for network interfaces used on the admin LAN.
- When the same cloning image is deployed to multiple servers, IGMP snooping should be enabled on admin LAN switches. If IGMP snooping is not enabled, transfer performance may deteriorate in the following cases:
  - When ports with different speeds co-exist in the same network
  - When multiple image operations are being executed simultaneously
- For PRIMERGY BX900/BX400 LAN switch blades operating in IBP mode, the admin LAN should not be included in the ServiceLAN or the ServiceVLAN group configuration.

### 9.1.1.3 Admin LAN for Network Devices

Choose the LAN ports of the network devices (firewalls, server load balancers, L2 switches, Ethernet Fabric switches, and L3 switches) to be used.

Figure 9.2 Admin LAN Connection Example



\* Note: L2 switches or Ethernet fabric switches.

### 9.1.1.4 Safer Communication

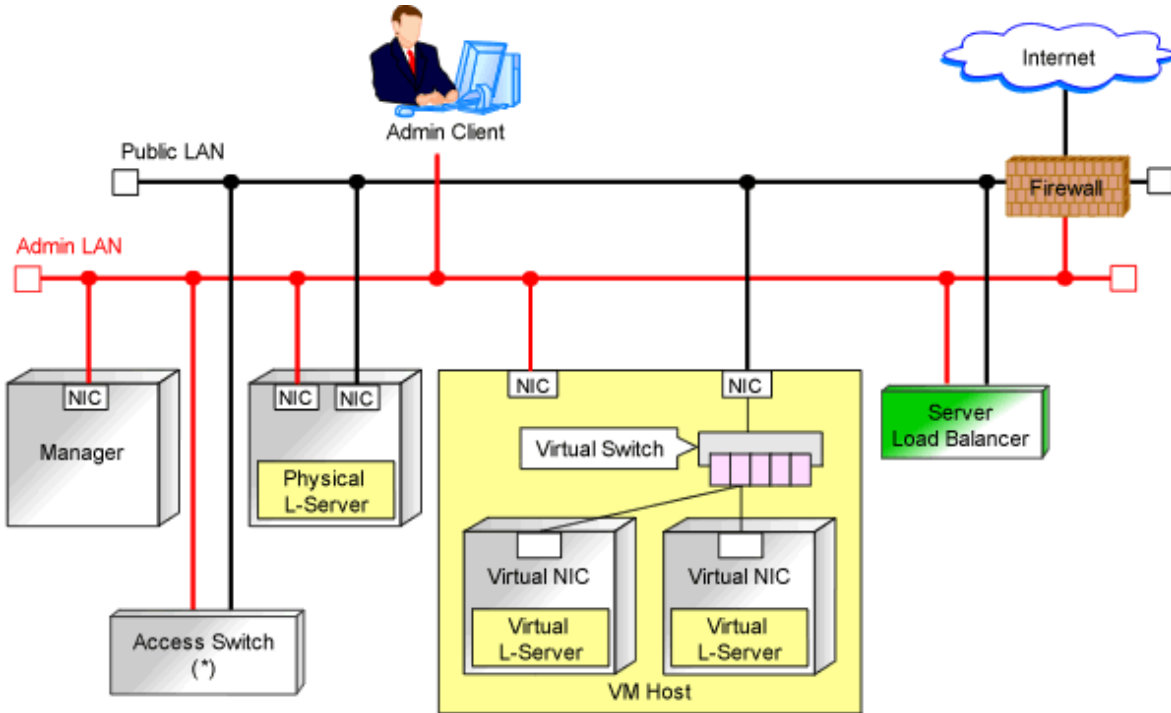
For environments where virtual L-Servers and the admin server (manager) communicate, it is recommended to perform the following configuration to improve security:

- Place a firewall between the public LAN used by the virtual L-Servers and the admin LAN

Installing firewalls or configuring OS firewalls according to the description in "[Appendix A Port List](#)" enables secure operation of the admin LAN.

In Resource Orchestrator, the manager accesses agents using HTTPS communication.

Figure 9.3 Network Configuration Example



\* Note: L2 switches or Ethernet fabric switches.

### 9.1.1.5 Required Network Configuration when Using HBA address rename

At startup a managed server set with HBA address rename needs to communicate with the Resource Orchestrator manager. To enable startup of managed servers even when the manager is stopped, Resource Orchestrator should be configured as follows.

- A dedicated HBA address rename server

This section describes the network configuration that is required for an environment with a dedicated HBA address rename server. For details about the HBA address rename setup service, refer to "6.1 Settings for the HBA address rename Setup Service" in the "Setup Guide CE".

- This service must be on the same admin LAN as the admin server. Do not start more than one instance of this service.
- This service uses NIC2 (Index2).

Connect NIC2 of the managed server to the admin LAN.

NIC2 is the default value, and it can be changed when registering managed servers.

For details, refer to "5.4 When Using Blade Servers" in the "User's Guide for Infrastructure Administrators (Resource Management) CE".

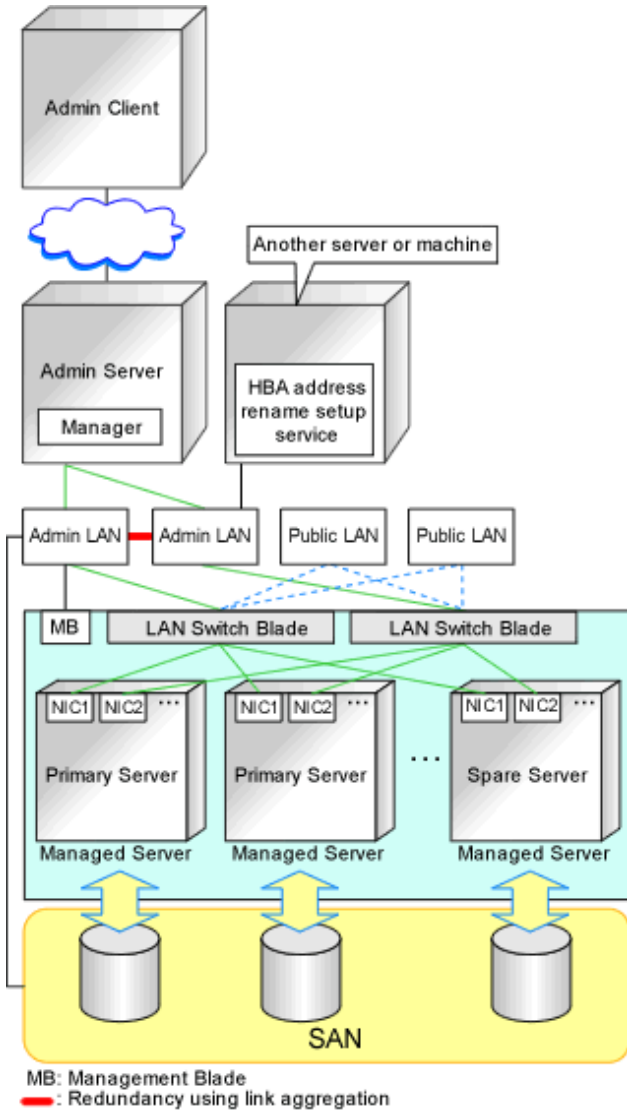
- This service periodically obtains information about managed servers from the admin server and operates using this information. For this reason, it should be installed on a server that can be left active all the time.
- There must be two LAN cables between LAN switches (cascade connection) on the admin server and on the managed server.

#### Note

The HBA address rename setup service cannot operate on the same server as ServerView Deployment Manager, or on a server where any other DHCP or PXE service is running.

The following diagram shows an example of how the HBA address rename setup service can be configured.

Figure 9.4 Sample Configuration Showing the HBA address rename Setup Service (with PRIMERGY BX600)



- Connections between switches on the admin LAN can be made redundant using link aggregation.
- Connect NIC2 (Index2) to the admin LAN (when it is the default).
- Configure the HBA address rename setup service on a server connected to the admin LAN. This server must be different from the admin server.
- Ensure that the server or personal computer that is used to operate the HBA address rename setup service is always on when the managed servers are active.

## 9.1.2 Virtual System Design

Design virtual systems for users.

Use tagVLAN to design the network to allocate to the virtual system.

### 9.1.2.1 Information Necessary for Design

When designing virtual systems, the following information needs to be defined beforehand:

- Resource Requirements

- Whether to use firewalls

If security must be maintained for each virtual system, deploy firewalls.

Firewalls should also be deployed when using a hierarchical configuration that establishes an intranet connected with a DMZ.

- Whether to use server load balancers

When providing services by virtualizing multiple servers as a single server, deploy server load balancers in order to provide stable services and expand business operations flexibly.

- Server type (physical L-Server or virtual L-Server)

- Whether to use iSCSI (storage)



### Information

When deploying both a firewall and a server load balancer, an L2 switch may be necessary between the firewall and server load balancer depending on device specifications. Therefore, check the specifications of the firewall and server load balancer beforehand.

- Communication Route Configuration

It is normal to use a redundant configuration for communication routes.



- Communication Performance Assumption (Throughput)

Define the assumed communication performance for each system.

Figure 9.5 Example of Virtual System Configuration Elements

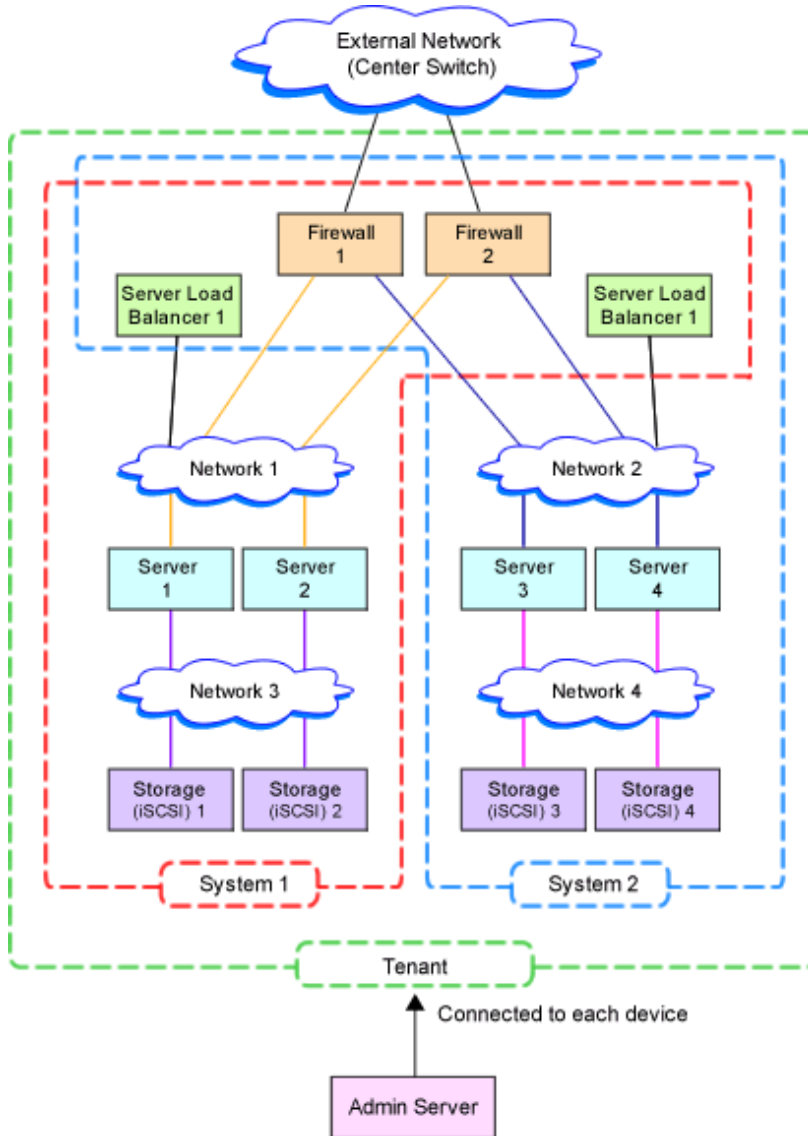
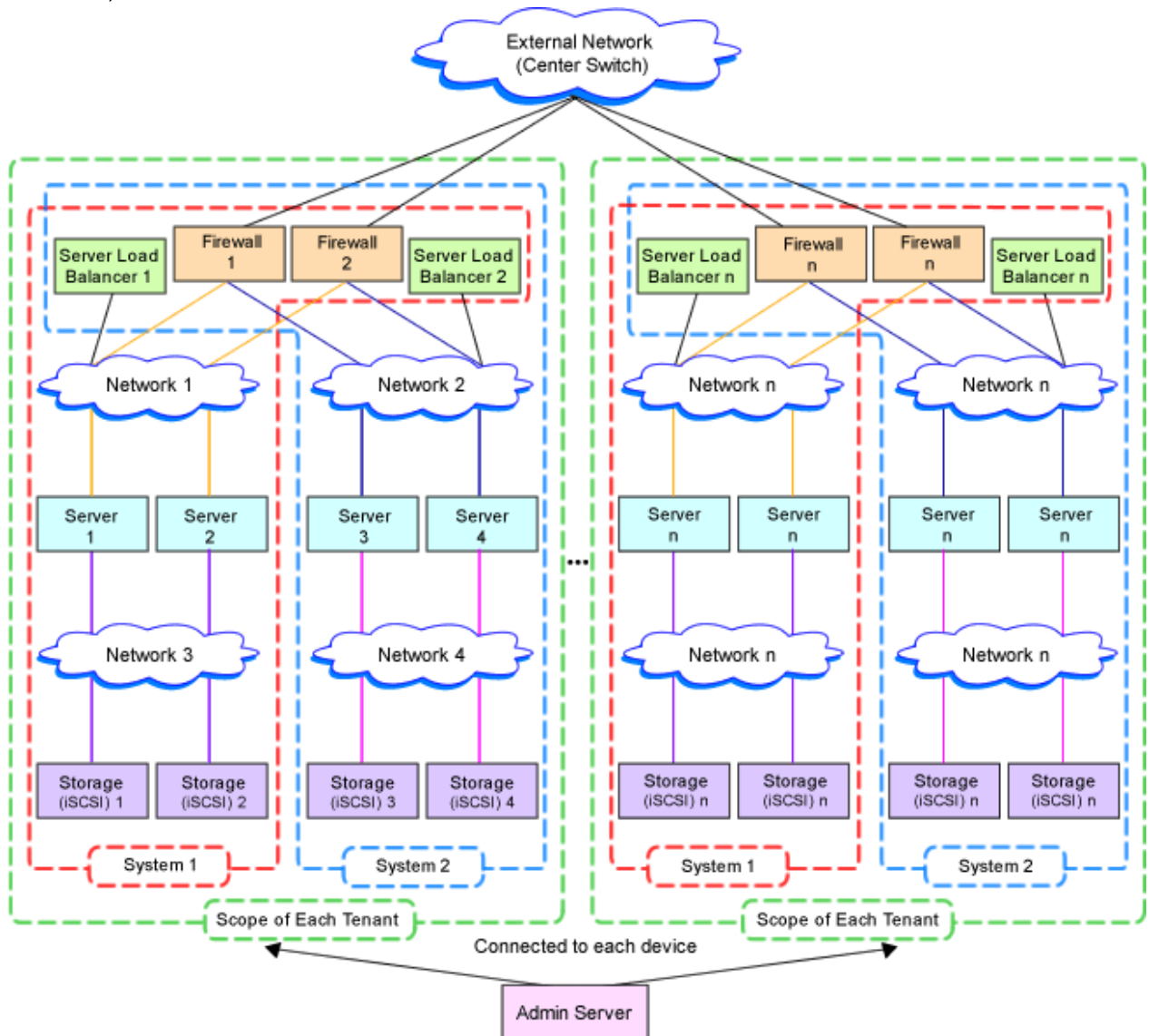


Figure 9.6 Example of Overall Configuration of a Virtual System (A Collective of Virtual System Configuration Elements)



### 9.1.3 Physical Network Design for the Public LAN and iSCSI LAN

Managed devices (server machines and network devices) are connected using the public LAN.

Managed devices (server machines and storage units) are connected using the iSCSI LAN.

Design of an iSCSI LAN is required to connect the iSCSI-enabled storage devices and servers to which physical L-Servers will be deployed.

#### 9.1.3.1 Information Necessary for Designing a Public LAN

When designing a public LAN, the following information needs to be defined beforehand:

- The number of required devices (servers and network devices)

Define the required devices based on the designed virtual system.

The number of required devices should be estimated based on the following information:

- Performance requirements assumed during designing of the virtual system

- The number of planned tenants defined during designing of the admin LAN
- Specifications of devices to be used
- Specifications (including supported functions) required for the devices
- The number of VLAN IDs for use on the public LAN

As the upper limit of the number of VLAN IDs varies depending on the device, when using devices that connect with both the admin and public LANs, ensure that the number does not exceed the maximum.

- The VLAN ID range for use on the public LAN

As the available VLAN ID range varies depending on the device, when using the devices that connect with both the admin and public LANs, ensure that ranges do not overlap.

- The IP address range of the public LAN

Design the address architecture to be allocated to the virtual system, and decide the required IP address range.

- When Automatically Configuring and Operating Network Devices Using User Customization Mode

- When deploying a firewall

When using the address translation function, define the virtual IP address.

- When deploying a server load balancer

Define the virtual IP address for the server load balancer

- When Automatically Configuring and Operating Network Devices Using Simple Configuration Mode

- When deploying a firewall

Define the virtual IP addresses used for the address translation functions of firewalls.

When managing the virtual IP addresses, and allocating them automatically, define the global IP addresses for each tenant to allocate to the address set resources so that the virtual IP addresses (public addresses) used are not shared between tenants.

- When deploying a server load balancer

The virtual IP addresses used for the server load balancing functions are automatically allocated from the IP addresses allocated to the network resources used for the public networks of server load balancing targets.

The IP address on the public LAN, designed and defined by the infrastructure administrator, is used by the virtual system configured for the tenant.

Therefore, the infrastructure administrator must notify the tenant administrator of the IP address on the public LAN allocated to a tenant.

- Whether to configure communication route redundancy

Whether to configure communication route redundancy should be decided based on the designed virtual system.

- The LAN ports or NICs to use

Define one of the following:

- For network devices, LAN ports other than the ones assigned to the admin LAN.
- For servers, NIC ports other than the ones assigned to the admin LAN.

When planning to use a rack mount server or tower server as a physical L-Server, define the following information:

- The NIC number of the rack mount server or tower server

Check the alignment sequence and number of NICs on the back of the rack mount or tower servers, and then choose the numbers of NICs to be specified when creating a physical L-Server, by consecutive numbers starting with 1 (such as 1, 2,...).

As the admin LAN uses small NIC numbers ("1" for non-redundant admin LANs or "1-2" for redundant LANs), ensure NICs with larger numbers are used.

## Information

---

For blade servers, depending on the model of LAN switch blade used in the same chassis, certain network interfaces may not be available.

In this case, add expansion NICs and a LAN switch blade, or share the NIC used for the admin LAN.

All network interfaces shared between the admin LAN and the public LAN for managed servers should be configured with tagged VLAN IDs.

The NICs that are unavailable depend on the combination of the mounted LAN switch blade and blade server. For details, refer to the manual of the LAN switch blade and blade server.

---

### 9.1.3.2 Information Necessary for Designing an iSCSI LAN

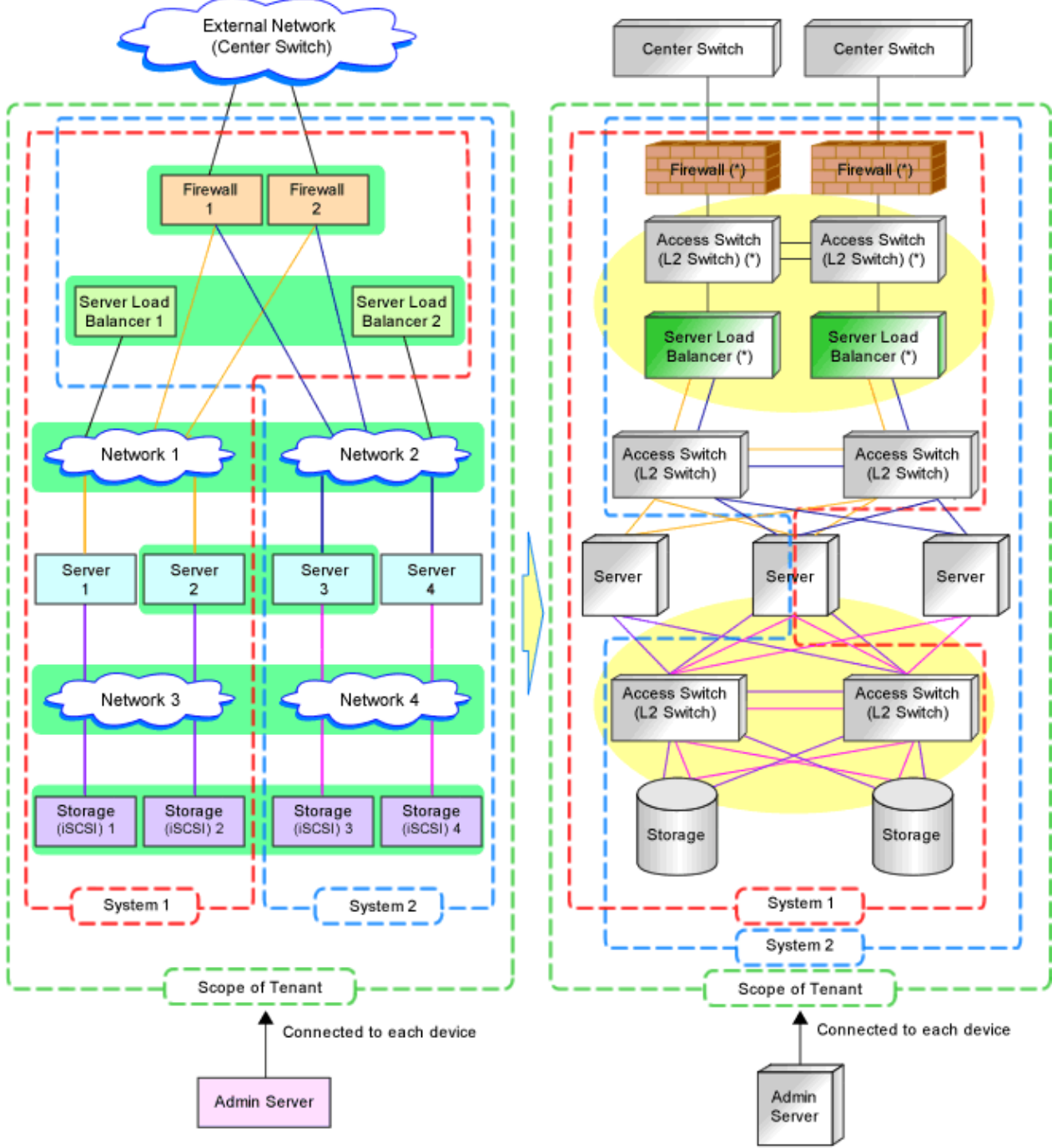
When designing an iSCSI LAN, the following information needs to be defined beforehand:

- The NIC on the server used for an iSCSI LAN
  - Both single and multi-path configurations are available.
- The network address and a VLAN ID for use on the iSCSI LAN for each tenant
- Whether to connect external switches between ETERNUS storage and LAN switch blades, or NetApp storage and LAN switch blades
- Whether to use multi-tenant functions on ETERNUS storage or NetApp storage
- The IQN to be used for the NIC of the server
- The Network address to be used for the port of the storage
- The IQN set for storage (The IQN used for the NIC on the server side is used.)
- Whether to use authentication for iSCSI communication (When using authentication, authentication information)

Determine the physical network configuration by defining devices necessary for the public LAN and iSCSI LAN that meet the requirements for the designed virtual system.

A sample image of virtual systems and the corresponding physical network configuration is shown below:

Figure 9.7 Sample Image of Virtual Systems and the Corresponding Physical Network Configuration



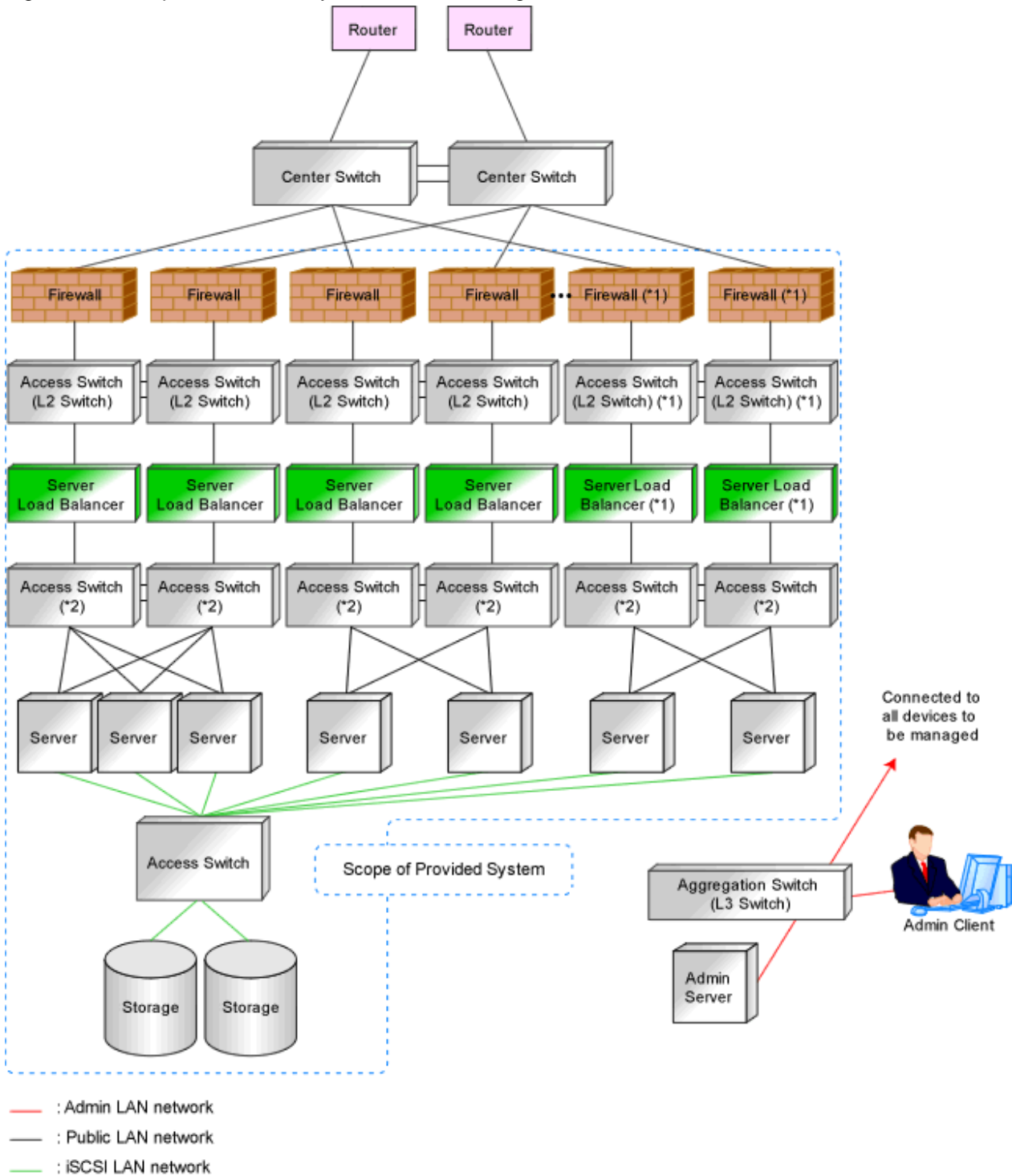
- : Scope of sharing between systems
- : Scope of VLAN connection

\* Note: Some types of network devices have both firewall functions and server load balancer functions. (In this case, there is no access switch between the firewall and server load balancer.)

By defining how many virtual systems should be configured for each tenant and how many tenants are to be prepared, the required number of devices can be determined, making the overall configuration clear.

An example of the overall configuration of the physical system is shown below:

Figure 9.8 Example of Overall Physical Network Configuration



\*1: Some types of network devices have both firewall functions and server load balancer functions. (In this case, there is no access switch between the firewall and server load balancer.)

\*2: L2 switches or Ethernet fabric switches.

### 9.1.4 Relationship between Physical Network Configuration and Resources

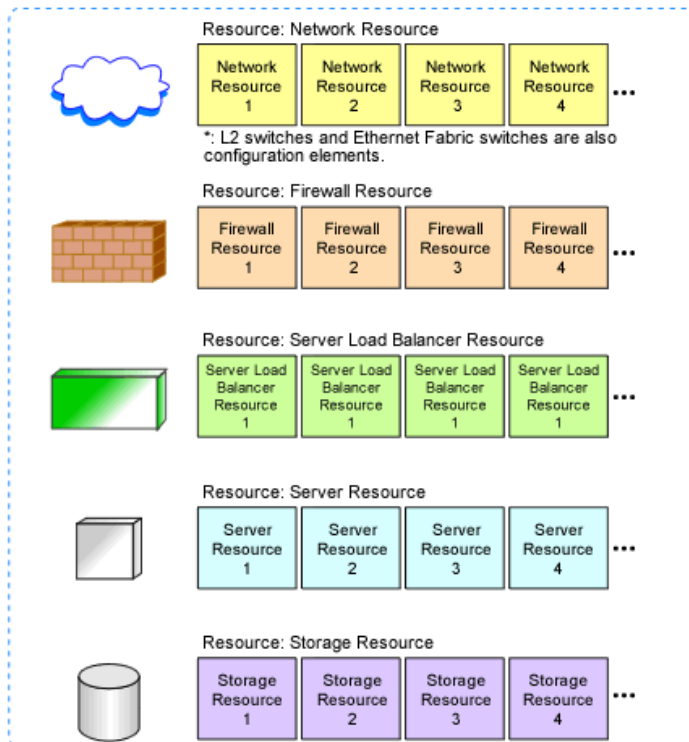
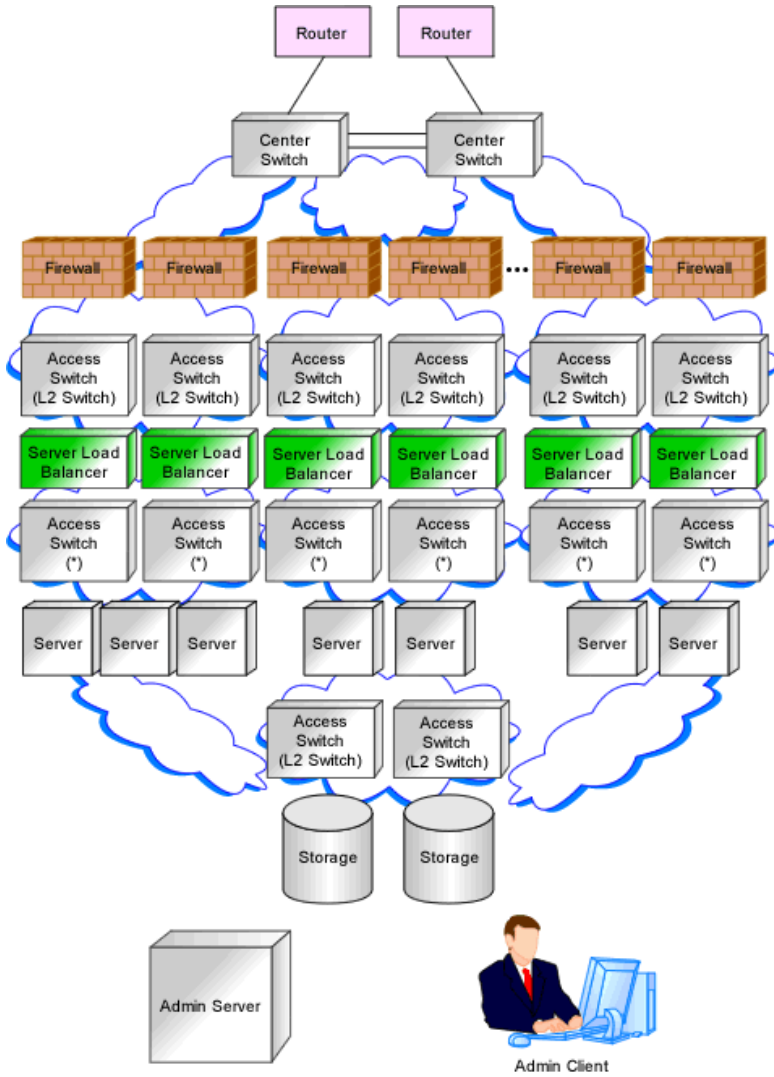
This section explains the relationship between the defined physical system and the resources managed by Resource Orchestrator.

Using Resource Orchestrator, you can provide users with virtual systems and also operate those virtual systems. Therefore, it is necessary to understand the relationship between physical systems and the resources configuring the virtual systems in advance.

Depending on how the physical devices are used in the virtual system, physical devices and resources can be in "one-to-one" or "one-to-*n*" relationships.

The relationship between physical networks and resources is shown below, using "[Figure 9.8 Example of Overall Physical Network Configuration](#)" as an example.

Figure 9.9 Relationship between Physical Network Configuration and Resources



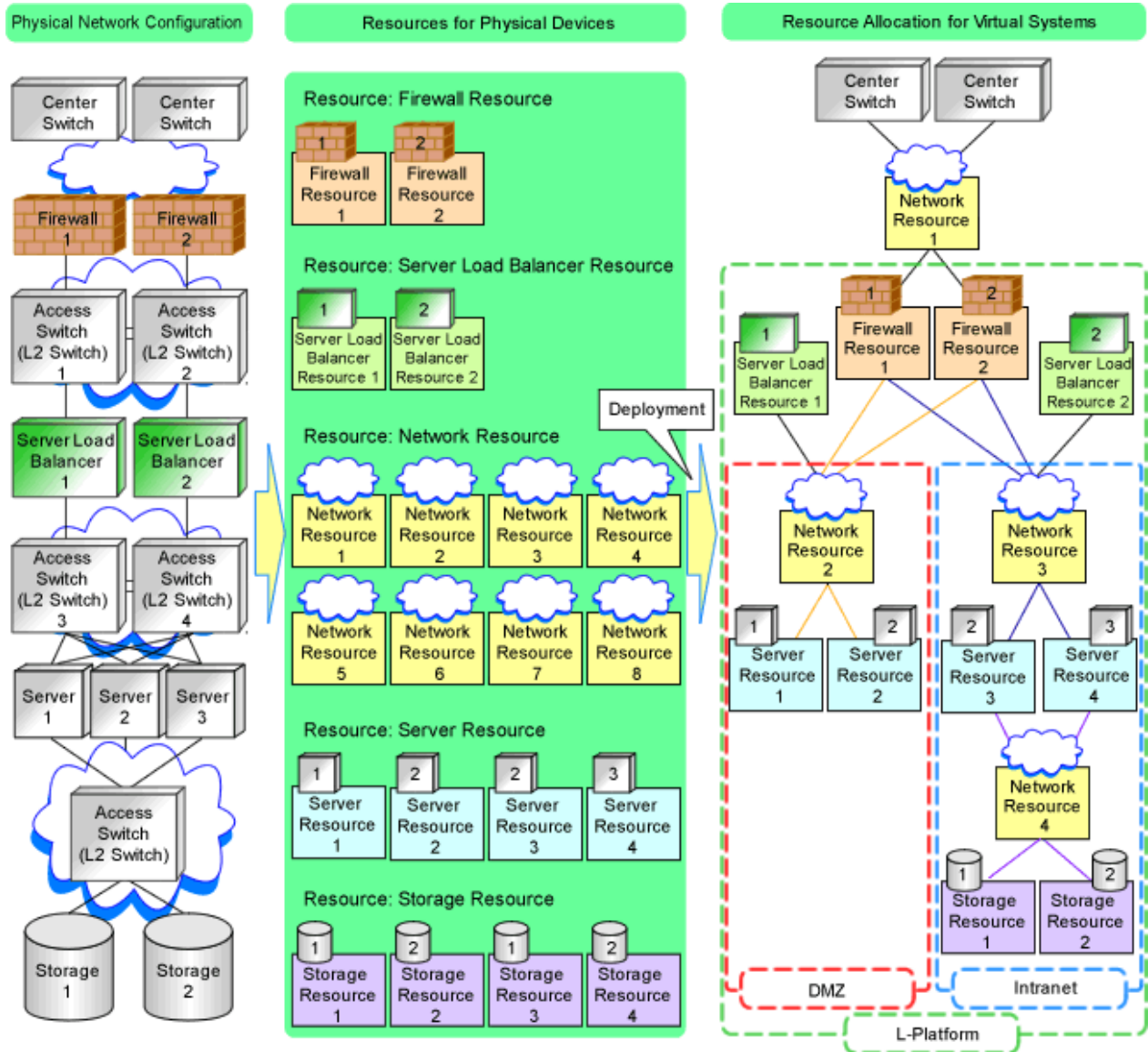


\* Note: L2 switches or Ethernet fabric switches.

The following figure shows a sample image when physical devices and resources are allocated for a single virtual system (L-Platform). In this sample image, resources are allocated for firewalls, server load balancers and L2 switches on a one-to-one basis, while resources are allocated for servers and storage devices on a one-to-*n* basis.

Resource Orchestrator manages L2 switches as network devices. However, when allocated to a virtual system, L2 switches are not displayed on the virtual system because they are included as network resource components.

Figure 9.10 Virtual System and Resource Allocation Example



## 9.2 Defining Configuration Settings for Devices

Define the configuration necessary for management of the defined network environment.

### Information

In addition to the information necessary for management by Resource Orchestrator, additional information is required to operate each device.

For example, the following configuration information is necessary:

- Configuration information necessary for saving and referring to the logs output by individual devices
- Configuration information necessary for backing up and restoring the information from individual devices

Refer to the manuals of the devices to be used to check the information necessary for operation.



## 9.2.1 Settings for the Admin Server

---

Define the following information to be configured on the admin server.

- Device name
- IP address used by the admin server for management purposes

Decide the IP address for the network interface used to communicate with managed servers and network devices.

## 9.2.2 Settings for Admin Clients

---

Define the following information to be configured on the admin clients.

- Device name
- Routing Information

When the admin IP address of the admin client is in a different subnet from that of the admin server, check the network device that works as the gateway, and define the routing information accordingly.

## 9.2.3 Settings for Managed Network Devices

---

Define the following information to be configured on each of the network devices.

### 9.2.3.1 Settings for Management

Define configuration information necessary for management.

- Device name

Define the name of the managed device.

This name can contain up to 32 alphanumeric characters (upper or lower case), underscores ("\_"), hyphens ("-"), and periods (".").

- IP addresses used by managed network devices for management purposes

Choose an IP address to be used for communication with the admin server.

- SNMP community name

Define the name of the SNMP community to be used when collecting MIB information using the monitoring function of the network device.

This user name can contain up to 32 alphanumeric characters (upper or lower case), underscores ("\_"), and hyphens ("-").

When registering VCS fabrics as network devices, configuration is not necessary.

- Administrator information (user name and password)

- Login User Name

Define the login user name to be used for login to the network device.

This user name can contain up to 32 alphanumeric characters (upper or lower case), underscores ("\_"), and hyphens ("-").

- Password

Define the password for the login user name to be used for direct login to the network device.

Specify a character string of up to 64 alphanumeric characters (upper or lower case) and symbols (!\$%()\*+,-./:;=@[]^\_`{|}~ and blank spaces).

- Administrator Password

Define the login password for the administrator to be used for logging into the network device as an administrator.

Specify a character string of up to 64 alphanumeric characters (upper or lower case) and symbols (!\$%()\*+,-./:;=@[]^\_`{|}~ and blank spaces).

- SNMP host information

This must be the admin IP address of the admin server.

- SNMP trap destination

This must be the admin IP address of the admin server.

- Monitoring method (PING, SNMP, NETCONF)

Define the monitoring method for the network devices (firewalls, server load balancers, L2 switches, Ethernet fabrics, and management hosts).

Choose PING for alive monitoring, and choose SNMP for status monitoring.

It is possible to monitor using only one method or both methods.

Note that NETCONF is the monitoring method for VCS only.

## 9.2.3.2 Settings for Pre-configuration

Define settings necessary for pre-configuration.

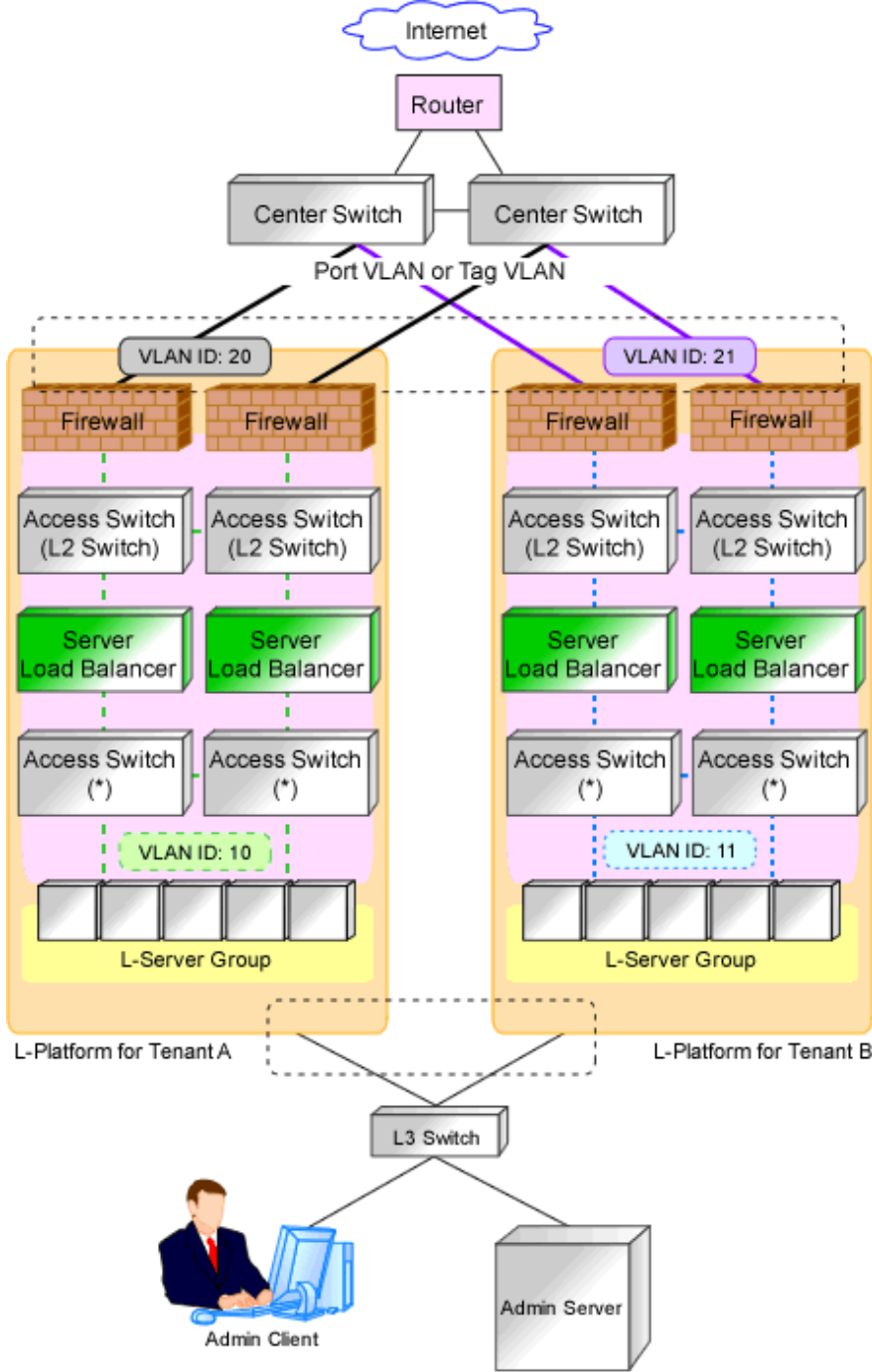
- Public LAN Pre-configuration Settings



Check the connection configuration of the LAN ports to be used for the public LAN to be connected with the center switches, and define the necessary settings accordingly.

- Admin LAN Pre-configuration Settings

Check the connection configuration of the LAN ports to be used for the admin LAN to be connected with the L3 switches, and define the necessary settings accordingly.

Figure 9.11 Managed Device Pre-configuration Scope



-  : Range of preparations by the user
-  : Connected using a port VLAN or a tagged VLAN

\* Note: L2 switches or Ethernet Fabric switches.

### Information

- Character limitations vary depending on the network device used.

For specific settings of individual devices, define the settings according to the specifications of the network devices, within the limitations of types and number of characters described above.

The information necessary to be configured based on the public and admin LAN connection configurations also depends on the specifications of network devices.

For details on the specifications for each network device, refer to the manual for each device.

- When targets to manage are the Ethernet Fabric switches (Converged Fabric), design of the following is required.
  - Design the port types for each port of the relevant devices.
  - When using virtual fabrics (VFAB), design all virtual fabrics to use in advance.
  - When using virtual fabrics, it is recommended to use the LAN ports belonging to the default VFAB as the LAN ports for the admin LAN.

For details on the outline of Ethernet Fabric switches (Converged Fabric), refer to "[Appendix H Ethernet Fabric Devices](#)".

- When targets to manage are IPCOM VX/IPCOM VA, design of the following is required.
  - The VFAB VLAN ID of the virtual fabric must be same as the TPID of the VLAN ID defined in the virtual machine interface definitions of IPCOM VX.

For details on how to configure TPID, refer to the manual of each device.

- Use of virtual fabrics using Ethernet fabric switches (Converged Fabric) is required. Design virtual fabrics to use for each IPCOM VA.

During design, note the following information:

- Set the operation mode of the virtual fabric to Network mode.
- Configure the IEEE802.1ad frame communication port for the connection port with IPCOM VX.

Define the S-TAG value of the virtual fabric for the VLAN ID of the virtual machine interface of IPCOM VX.

The S-TAG value of the virtual fabric can be calculated using the following formula:

- For default VFAB  
2 fixed value
- For other than default VFAB  
VFAB ID + 100

For details on virtual machine interface definitions for IPCOM VX, refer to the manuals of IPCOM VX.

For the relationship between IPCOM VX/IPCOM VA and virtual fabrics, refer to "[Appendix J IPCOM VX Series Devices](#)".

---

### 9.2.3.3 Settings for Automatically Configured Devices

As auto-configuration for network devices is performed with the user customization mode, the sample scripts provided with Resource Orchestrator do not perform all definitions for network devices. When using the sample scripts, define the information necessary for auto-configuration of network devices.

Regarding the configuration provided by the sample scripts, refer to "[Table G.2 Units for which Sample Scripts are Provided](#)".

When performing auto-configuration for network devices using simple configuration mode, as the definition configuration scope is defined, it is necessary to perform pre-configuration as prerequisites of defined definitions. For details on the pre-configuration which can be configured using the simple configuration mode, refer to "[Appendix I Auto-configuration and Operations of Network Devices Using Simple Configuration Mode](#)".

#### Firewall Devices

- When performing auto-configuration using user customization mode

In the sample scripts, only the network settings within the range of Resource Orchestrator management and firewall rules are auto-configured.

Define the following settings for firewalls:

- Networks not managed by Resource Orchestrator (external interfaces etc.)

- Basic information (system definitions, redundant devices, interfaces, communication routes, etc.)
- When performing auto-configuration using simple configuration mode  
Only the NS Option is the target of simple configuration mode.  
For details on pre-configuration for the NS Option, refer to "2.2.2 Preparations for NS Appliance" in the "NS Option Instruction".

## Server Load Balancers

- When performing auto-configuration using user customization mode  
In the sample scripts, only server load balancing rules and SSL accelerator settings are auto-configured.  
Therefore, define the following settings for server load balancers:
  - Basic information (system definitions, redundant devices, interfaces, communication routes, etc.)
  - Register the server certificate, error web page response file, etc.
  - For devices which require configuration according to server certificate registration, configure security policies such as SSL connection protocols, cipher suites, etc.
- When performing auto-configuration using simple configuration mode  
Only the NS Option is the target of simple configuration mode.  
For details on pre-configuration for the NS Option, refer to "2.2.2 Preparations for NS Appliance" in the "NS Option Instruction".

## L2 Switches

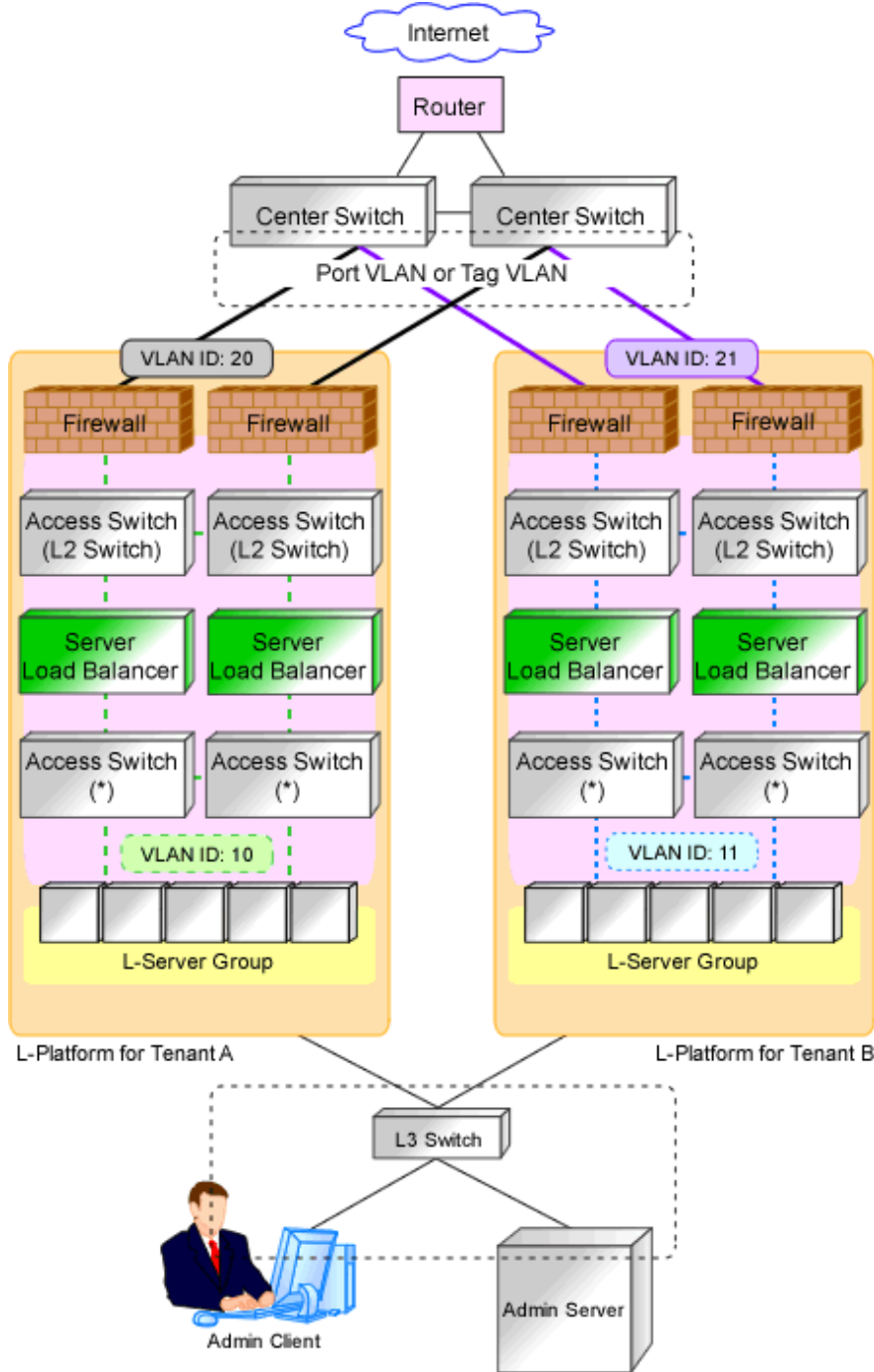
- When performing auto-configuration using user customization mode  
In the sample scripts, only the VLAN IDs specified for network resources are auto-configured.  
Define the following settings for L2 switches:
  - The definition of the interface to perform VLAN definition for
  - The VLAN operation mode
  - Cascade ports, etc
- When performing auto-configuration using simple configuration mode  
There are no target devices.

## 9.2.4 Settings for Unmanaged Network Devices

---

Define the information to be configured on each unmanaged network device.

Figure 9.12 Example of the Configuration Scope of Unmanaged Network Devices



- : Range of preparations by the user
- : Connected using a port VLAN or a tagged VLAN

\* Note: L2 switches or Ethernet fabric switches.

### 9.2.4.1 Public LAN Pre-configuration Settings

Define the public LAN settings that must be pre-configured by users.

- Routing Information

Define the routing method for the routers and center switches to enable communication with the L-Platform network.

- VLAN information

Check the VLAN information of routers and center switches used within the L-Platform network, and then define the VLAN information necessary for connection and communication with L-Platforms.

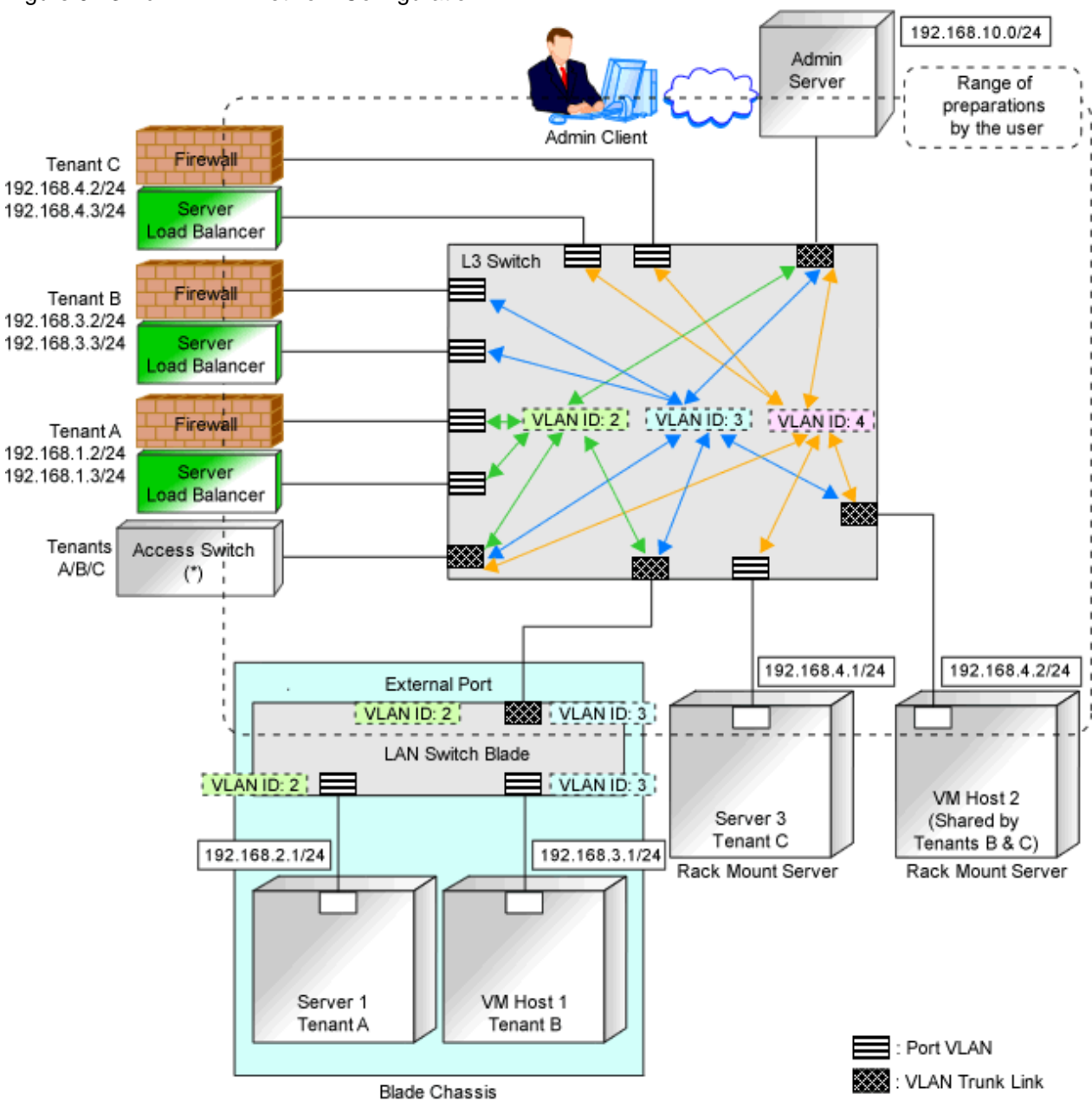
- Redundancy information

Check whether to make network devices and communication routes redundant, and then define any settings necessary for redundant configuration.

### 9.2.4.2 Admin LAN Settings

Define the admin LAN settings that must be pre-configured by users.

Figure 9.13 Admin LAN Network Configuration





\* Note: L2 switches or Ethernet fabric switches.

- Routing Information

When the admin server and individual devices (servers, storage units, network devices, and admin clients) belong to different subnets, define the routing method on the L3 switch to enable communication between the admin server and individual devices using the admin LAN.

When using routing protocols (such as RIP and OSPF), define the information necessary for configuring dynamic routing. When not using dynamic routing, define the settings for the routing information table.

In addition, it is necessary to configure the following multicast routing for managed resources from the admin server.

|                       |
|-----------------------|
| 225.1.0.1 - 225.1.0.8 |
|-----------------------|

- VLAN information

Check the VLAN information of external ports of LAN switch blades and L3 switches used in the admin LAN network, and define the settings (VLAN IDs). Set the ports to be used as trunk links when necessary.

- Redundancy information

Check whether to make network devices and communication routes redundant, and then define any settings necessary for redundant configuration.

- Access control information

When configuring access control on L3 switches, define the ports that allow connection, because it is necessary to allow connection with the ports used by Resource Orchestrator.

Refer to "[Appendix A Port List](#)", for details on the ports used by Resource Orchestrator.

Define whether to allow or block communication when the routing is operating in order to define the access control.

- When using the following functions, it is necessary to configure DHCP relay agents to enable the manager to receive DHCP requests from managed servers belonging to different subnets.

- Backup and restoration of managed servers
- Collection and deployment of cloning images
- SAN boot using HBA address rename

When specifying the IP address of the DHCP server during registration of ISM coordination, it is also necessary to configure DHCP relay agents for the DHCP server.

- When using the HBA address rename setup service, it is necessary to configure DHCP relay agents to enable the HBA address rename setup service to receive DHCP requests from managed servers belonging to different subnets.
- For information about multicast routing setting and DHCP relay agents, refer to the router manual.

## 9.2.5 Settings for Managed Servers

---

Define the following information to be configured on the servers to be managed.

- Device name
- IP addresses used by managed servers for management purposes

Choose an IP address to be used for communication with the admin server.

- IP Address of iSCSI Initiator

Choose an IP address for the network interface to use for communication with managed servers.

This is not necessary for servers for which iSCSI is not enabled.



## Note

- IP addresses chosen for iSCSI should be static and do not used DHCP.
- When using a multi-path configuration using iSCSI, separate the networks using different ports.  
Interface segments and virtual switches also need to be separated.
- When a physical L-Server uses the iSCSI storage, ensure that all of the IP addresses configured here are on the same subnet.

## 9.2.6 Settings for LAN Switch Blades on Managed Blade Systems

---

For blade servers, also define the following information to be configured on LAN switch blades. For a LAN switch blade PY CB 10Gb FEX Nexus B22, no admin IP address is required, thus the following information is not necessary:

- VLAN IDs for the admin LAN ports used to communicate with the admin server
- IP addresses used by managed network devices for management purposes

Choose an IP address to be used for communication with the admin server.

When using a LAN switch blade which operates in Converged Fabric mode, set an admin IP address that belongs to a different subnet from the one that the representative virtual IP address of the fabric and the representative virtual IP address of the domain belong to.

- SNMP community name

Define the name of the SNMP community to be used when collecting MIB information from the LAN switch blade.

This user name can contain up to 32 alphanumeric characters (upper or lower case), underscores ("\_"), and hyphens ("-").

- Administrator information (user name and password)

- Login User Name

Define the login user name to be used for direct login to the LAN switch blade.

This user name can contain up to 64 alphanumeric characters (upper or lower case), underscores ("\_"), and hyphens ("-").

- Password

Define the password of the login user name to be used for direct login to the LAN switch blade.

This password can contain up to 80 alphanumeric characters (upper or lower case) and symbols (ASCII characters 0x20, 0x21, and 0x23 to 0x7e) with the exception of double quotation marks ( " ).

- Administrator Password

Define the login password for the administrator to be used for directly logging into the LAN switch blade as an administrator.

This password can contain up to 80 alphanumeric characters (upper or lower case) and symbols (ASCII characters 0x20, 0x21, and 0x23 to 0x7e) with the exception of double quotation marks ( " ).

- SNMP trap destination

This must be the admin IP address of the admin server.

## 9.2.7 Network Settings for Managed Storage Units

---

Define the following information to be configured on storage units.

- Device name
- IP address used by managed storage for management purposes  
Choose an IP address to be used for communication with the admin server.
- IP address of iSCSI target

Define the IP address of the storage unit with which the iSCSI initiator will communicate.

This is not necessary for storage units for which iSCSI is not enabled.

### Note

- IP addresses chosen for iSCSI should be static and do not used DHCP.
- When using a multi-path configuration, separate the networks using different ports.
- When a physical L-Server uses the iSCSI storage, ensure that all of the IP addresses configured here are on the same subnet.

## 9.2.8 Network Settings for Other Managed Hardware

---

Define the following information to be configured on each of the other hardware devices.

Other hardware devices include "server management units", "power monitoring devices", etc.

- Device name
  - IP addresses used by other hardware devices for management purposes
- Choose an IP address to be used for communication with the admin server.

## 9.3 Pre-configuring Devices

---

Configure defined setting information.

### 9.3.1 Pre-configuring Admin Servers

---

Configure the information defined in "[9.2.1 Settings for the Admin Server](#)" on the admin server.

The admin IP address should be specified when installing the manager on the admin server.

For details on how to configure the other information on the admin server, refer to the manual of the admin server.

### 9.3.2 Pre-configuring Admin Clients

---

Configure the information defined in "[9.2.2 Settings for Admin Clients](#)" on admin clients.

For details on how to configure information on admin clients, refer to the manual of the admin client.

### 9.3.3 Pre-configuring Managed Network Devices

---

Configure the information defined in "[9.2.3 Settings for Managed Network Devices](#)" on network devices.

In order to track the network connections between managed servers (PRIMERGY BX series) and adjacent network devices (L2 switches, etc.), and display them in the NetworkViewer, the following protocols should be first enabled on each LAN switch blade and network device.

- LLDP (Link Layer Discovery Protocol)
- CDP (Cisco Discovery Protocol)

It is necessary to configure a port type for each port of the relevant devices, in order to correctly display the port information of Ethernet Fabric switches (Converged Fabric) on the [Resource Details] tab.

## Note

- The same protocol needs to be set on the LAN switch blade and the network devices it is connected to.
- It is not possible to automatically detect the connection relationship between LAN switch blades set in the IBP mode and network devices.
- Network connections may not be displayed properly if two or more network devices are set with a conflicting system name (sysName).

### When Monitoring Network Devices

When managing Ethernet fabric switches as resources, configure the following types of accounts:

| Vendor  | Unit Name   | Account Type (*)   | Protocol to Use |
|---------|---|--|-----------------|
| Fujitsu | PRIMERGY Converged Fabric Switch Blade (10 Gbps 18/8+2) | Account with user privileges                             | SSH             |
|         | Converged Fabric Switch                                 | Account with user privileges                             | SSH             |
| Brocade | VDX   | Account with user privileges or administrator privileges | NETCONF         |

\*Note: When using an account with user privileges, an administrator password is required.

### When Using the Network Device File Management Function

Configure the following types of accounts for each network device used.

| Vendor      | Unit Name                           | Account Type (*)                      | Protocol to Use |
|-------------|-------------------------------------|---------------------------------------|-----------------|
| Fujitsu     | SR-X series                         | FTP account                           | FTP             |
|             | IPCOM EX series                     | Account with user privileges          | Telnet or SSH   |
|             | IPCOM VA Series                     | Account with user privileges          | Telnet or SSH   |
| Cisco       | Catalyst series                     | Account with user privileges          | Telnet or SSH   |
|             | ASA series                          | Account with user privileges          | Telnet or SSH   |
|             | Nexus series                        | Account with administrator privileges | Telnet or SSH   |
| F5 Networks | BIG-IP Local Traffic Manager series | Account with administrator privileges | SSH             |

\*Note: When using an account with user privileges, an administrator password is required.

### When Automatically Configuring and Operating Network Devices

When using sample scripts, configure the following types of accounts for each network device used.

If not using sample scripts, configure the account used by the script that the infrastructure administrator created.

| Vendor  | Unit Name       | Account Type (*)             | Protocol to Use |
|---------|-----------------|------------------------------|-----------------|
| Fujitsu | SR-X series     | Account with user privileges | Telnet          |
|         | IPCOM EX series | Account with user privileges | Telnet          |
|         | IPCOM VA Series | Account with user privileges | Telnet          |
| Cisco   | Catalyst series | Account with user privileges | Telnet          |
|         | ASA series      | Account with user privileges | Telnet          |

| Vendor      | Unit Name                           | Account Type (*)                      | Protocol to Use |
|-------------|-------------------------------------|---------------------------------------|-----------------|
|             | Nexus series                        | Account with administrator privileges | Telnet          |
| F5 Networks | BIG-IP Local Traffic Manager series | Account with administrator privileges | SSH             |

\*Note: When using an account with user privileges, an administrator password is required.

### When Performing Auto-Configuration of Networks for Ethernet Fabric Switches (Converged Fabric)

Configure the following types of accounts for Ethernet Fabric switches (Converged Fabric).

| Vendor  | Unit Name        | Account Type (*)             | Protocol to Use |
|---------|------------------|------------------------------|-----------------|
| Fujitsu | Converged Fabric | Account with user privileges | SSH             |

\*Note: When using an account with user privileges, an administrator password is required.

For details on how to configure information on network devices, refer to the manual for each device.

## 9.3.4 Pre-configuring Unmanaged Network Devices

Configure the information defined in "[9.2.4 Settings for Unmanaged Network Devices](#)" on the network devices.

For details on how to configure information on network devices, refer to the manual for each device.

## 9.3.5 Pre-configuring Managed Servers

Configure the information defined in "[9.2.5 Settings for Managed Servers](#)" on managed servers.

When the managed servers are rack mount or tower servers, configure the admin IP address on the network interfaces defined in the "[9.1.1.2 Admin LAN for Servers](#)" of "[9.1.1 Admin LAN Network Design](#)".

For details on how to configure information on managed servers, refer to the manual for the server.

## 9.3.6 Pre-configuring LAN Switch Blades on Managed Blade Systems

Configure LAN switch blades on the managed blade systems using the information defined in "[9.2.6 Settings for LAN Switch Blades on Managed Blade Systems](#)".

For details on how to configure LAN switch blades on managed blade systems, refer to the manual of the LAN switch blade.

### Information

VLAN settings for switch blade ports not used for the admin LAN can also be set from the [Resource] tab on the ROR console. For details, refer to "[5.4.4 Configuring VLANs on LAN Switch Blades](#)" in the "User's Guide for Infrastructure Administrators (Resource Management) CE".

### Note

- After setting up a LAN switch blade, perform a backup of the LAN switch blade's configuration definition information. For details on how to back up the configuration definition information of a switch blade, refer to the manual of the LAN switch blade.

- Resource Orchestrator uses telnet or SSH to log into LAN switch blades and automate settings.

When telnet or SSH (version 2) connection is disabled, enable it.

Refer to the manual of the relevant product.

Some models of LAN switch blades may restrict the number of simultaneous connections. In this case, log out from other telnet connections.

- If telnet or SSH is unavailable, the following features are also unavailable.
  - Registration of LAN switch blades
  - Changing of LAN switch blade settings
  - Changing and setting the VLAN for LAN switch blades (internal and external connection ports)
  - Restoration of LAN switch blades
  - Server switchover (changing network settings while a server is switched over)
- SSH connection (SSH version 2) can be selected for the following LAN switch blades.
  - LAN switch blade PY CB Eth Switch/IBP 10Gb 18/8 (1.00 or later version)
  - LAN switch blade PY CB Eth Switch 10/40Gb 18/8 (1.00 or later version)
  - LAN switch blade PY CB Eth Switch/IBP 1Gb 36/8+2 (4.16 or later version)
  - LAN switch blade PY CB Eth Switch/IBP 1Gb 36/12 (3.12 or later version)
  - LAN switch blade PY CB Eth Switch/IBP 1Gb 18/6 (3.12 or later version)
  - LAN switch blade PY CB DCB SW 10Gb 18/6/6 (2.1.1\_fuj or later version)
- For PY CB Eth Switch/IBP 10Gb 18/8, the maximum unregistered VLAN ID is used for the oob port in the LAN switch blade. When the maximum VLAN ID, "4094", is set in the LAN switch blade and the oob port is used to connect the telnet, the following functions cannot be used.
  - Changing and setting the VLAN for LAN switch blades (internal and external connection ports)
  - Restoration of LAN switch blades
  - Server switchover (changing network settings while a server is switched over)
- When using end host mode, use the default pin-group and do not create new pin-groups. Also, disable the Automatic VLAN uplink Synchronization (AVS) setting.  
This setting is not necessary, since there are no pin-group or AVS functions for PY CB Eth Switch/IBP 10Gb 18/8.
- When using the following LAN switch blades, do not enable classic-view:
  - LAN switch blade PY CB Eth Switch/IBP 1Gb 36/8+2
  - LAN switch blade PY CB Eth Switch/IBP 1Gb 36/12
  - LAN switch blade PY CB Eth Switch/IBP 1Gb 18/6
- When using PY CB Eth Switch 10/40Gb 18/8+2, set the oob IP address or representative virtual IP address of the fabric.
- When the switch ID of PY CB Eth Switch/IBP 1Gb 36/8+2 is something other than 1, port and VLAN information cannot be displayed correctly. Set "1" for the Switch ID.
- The stacking function of LAN switch blades is not supported.
- If the VLAN settings are to be performed on the ports with link aggregation set on the following LAN switch blades, set the apparatuses as follows.

#### LAN Switch Blades

- PY CB Eth Switch/IBP 10Gb 18/8
- PY CB Eth Switch 10/40Gb 18/8+2 (switch mode, end host mode)
- PY CB Eth Switch/IBP 1Gb 36/8+2

- PY CB Eth Switch/IBP 1Gb 36/12
- PY CB Eth Switch/IBP 1Gb 18/6

#### Configuration

- LLDP (Link Layer Discovery Protocol)  
When setting LLDP, disable the setting for [VLAN name information].  
Make the other settings valid.
- When using a LAN switch blade PY CB 10Gb FEX Nexus B22, VLAN configuration cannot be performed on it, thus the following functions cannot be used. Manually configure the VLAN from a Nexus 5000 series connected to the LAN switch blade PY CB 10Gb FEX Nexus B22, in advance.
  - Changing and setting the VLAN for LAN switch blades (internal and external connection ports)
  - Restoration of LAN switch blades

However, settings other than VLAN settings should be made directly on the LAN switch blade.

### Network Configuration of LAN Switch Blades (when using PRIMERGY BX Servers)

In a blade system environment, multiple subnets can be consolidated onto LAN switch blades by using VLANs.

For PRIMERGY BX900/BX400 LAN switch blades operating in IBP mode, the above can also be achieved by using port group settings for IBP instead of VLAN settings.

Each port of a LAN switch blade can be set with VLAN IDs.

Only those ports set with a same VLAN ID can communicate with each other.

Setting up different VLAN IDs then results in multiple subnets (one per VLAN ID) co-existing within the same switch.

Define the VLANs to set on both the internal (server blade side) and external connection ports of each LAN switch blade.

#### - Internal Connection Ports

Ensure that port VLANs are configured for the ports corresponding to the NICs connected to the admin LAN.

If NICs connected to the admin LAN are used for public LANs as well, configure tagged VLANs.

For the ports corresponding to the NICs connected to the public LAN, assign a VLAN ID (port or tagged VLAN) other than VLAN ID1 (the default VLAN ID) for each subnet. From the viewpoint of security, use of VLAN ID1 (the default VLAN ID) is not recommended.

Using tagged VLANs on LAN switch ports also requires configuring the network interfaces of managed servers with tagged VLANs. As Resource Orchestrator cannot set tagged VLANs to network interfaces on managed servers, this must be done manually.

#### - External Connection Ports

Choose the LAN switch blade ports to connect to external LAN switches, and the VLAN IDs to use for both the admin and public LANs.

When choosing a tagged VLAN configuration, the VLAN ID chosen for a LAN switch blade's external port must be the same as that used on its adjacent port on an external LAN switch.

When choosing a tagged VLAN configuration, the VLAN ID chosen for a LAN switch blade's external port must be the same as that used on its adjacent port on an external LAN switch. It may be necessary to enable LLDP depending on the LAN switch blade.

Refer to the manual for the LAN switch blade for information on how to configure link aggregation and to enable LLDP.



#### Note

- To change the VLAN ID for the admin LAN, perform the following.
  1. Enable communications between the admin server and the LAN switch blade.  
Manually change the following two settings.
    - Change the VLAN ID of the external connection port(s) used for the admin LAN.
    - Change the VLAN ID used by the admin IP address of the LAN switch blade.

2. Change the VLAN ID used by the managed server on the admin LAN.

- VLAN settings for LAN switch blades are not included in cloning images of physical servers. Configure VLAN settings for the target servers before deploying a cloning image.
  - In the following cases, VLANs cannot be configured using the ROR console.
    - Configuring VLANs on external connection ports
      - Link state group
      - Port backup function
      - LAN switch blade PY CB DCB SW 10Gb 18/6/6
    - Configuring VLANs on internal connection ports
      - A LAN switch blade PY CB DCB SW 10Gb 18/6/6 is used, and AMPP has been configured for the internal ports
    - Configuring VLANs on external and internal connection ports
      - Link aggregation
- However, the external connection ports of the following models are excluded.
- LAN switch blade PY CB Eth Switch/IBP 10Gb 18/8
  - LAN switch blade PY CB Eth Switch 10/40Gb 18/8+2 (switch mode, end host mode)
  - LAN switch blade PY CB Eth Switch/IBP 1Gb 36/8+2
  - LAN switch blade PY CB Eth Switch/IBP 1Gb 36/12
  - LAN switch blade PY CB Eth Switch/IBP 1Gb 18/6
  - Deactivated (depends on LAN switch blade model)
  - When a LAN switch blade operates in Converged Fabric mode, or when a LAN switch blade PY CB 10Gb FEX Nexus B22 is used
  - External connection ports of LAN switch blade PY CB DCB SW 10Gb 18/6/6
- Each port VLAN configuration must meet all of the conditions below.
    - Do not configure more than one port VLAN.
    - Do not configure the same VLAN ID for the port VLAN and the tagged VLAN.
  - Mount the following LAN switch blades in the connection blade slots except for CB5/6 when using a PRIMERGY BX900 chassis.
    - LAN switch blade PY CB Eth Switch/IBP 1Gb 36/8+2
    - LAN switch blade PY CB Eth Switch/IBP 1Gb 36/12
    - LAN switch blade PY CB Eth Switch/IBP 1Gb 18/6
  - When using a LAN switch blade PY CB 10Gb FEX Nexus B22 in a PRIMERGY BX900 chassis, server blades installed in slot 17 or slot 18 cannot use internal ports because the switch has only 16 internal ports.

.....

Choose VLAN IDs and VLAN types for the ports on the switches connected to NICs on the physical servers.

- Physical server name
- NIC index
- VLAN ID
- VLAN type (port or tagged VLAN)



## Information

On servers, operating systems associate each physical network interface with a connection name (Local area connection *X* in windows and eth.*X* in Linux).

If more than one network interface is installed, depending on the OS type and the order of LAN driver installation, the index numbers (*X*) displayed in their connection name may differ from their physically-bound index (defined by each interface's physical mount order).

The relations between physically-bound indexes and displayed connection names can be confirmed using OS-provided commands or tools.

For details, refer to network interface manuals.

Also, note that Resource Orchestrator uses the physical index of a network interface (based on physical mount order).

If the connection relationship (topology) between the managed server (PRIMERGY BX series) and neighboring network devices (L2 switches, etc.) is to be displayed in the NetworkViewer, the following settings are required in the LAN switch blade and network device so that the topology can be automatically detected.

- LLDP (Link Layer Discovery Protocol)
- CDP (Cisco Discovery Protocol)

## Note

- The same protocol needs to be set on the LAN switch blade and the network devices it is connected to.
- It is not possible to automatically detect the connection relationship between LAN switch blades set in the IBP mode and network devices.
- For the following LAN switch blades, the settings described below should be set to the same values in order to enable proper detection of network links.
  - LAN Switch Blades
    - PY CB Eth Switch/IBP 1Gb 36/12
    - PY CB Eth Switch/IBP 1Gb 36/8+2
    - PY CB Eth Switch/IBP 1Gb 18/6
  - Expected Values:
    - hostname set from the hostname command
    - system name set from the snmp-server sysname command

## Example

When setting both the hostname and system name to "swb1".

```
# hostname swb1
# snmp-server sysname swb1
```

- For the following LAN switch blade, the settings described below should be set to the same value to enable proper detection of network links.
  - LAN Switch Blades
    - PY CB Eth Switch/IBP 10Gb 18/8
    - PY CB Eth Switch 10/40Gb 18/8+2 (switch mode, end host mode)
  - Configuration
    - Using the snmp agent address command, set the admin IP address of the LAN switch blade for the agent address.

- Network connections may not be displayed properly if two or more network devices are set with a conflicting system name (sysName).



[Windows] [Hyper-V]

When using the backup, restore, or cloning functions, enable the managed server's NetBIOS over TCP/IP.

Note that the managed server should be restarted after enabling NetBIOS over TCP/IP.

**Example of VLAN Network Configuration (with PRIMERGY BX600)**

Figure 9.14 With Port VLANs

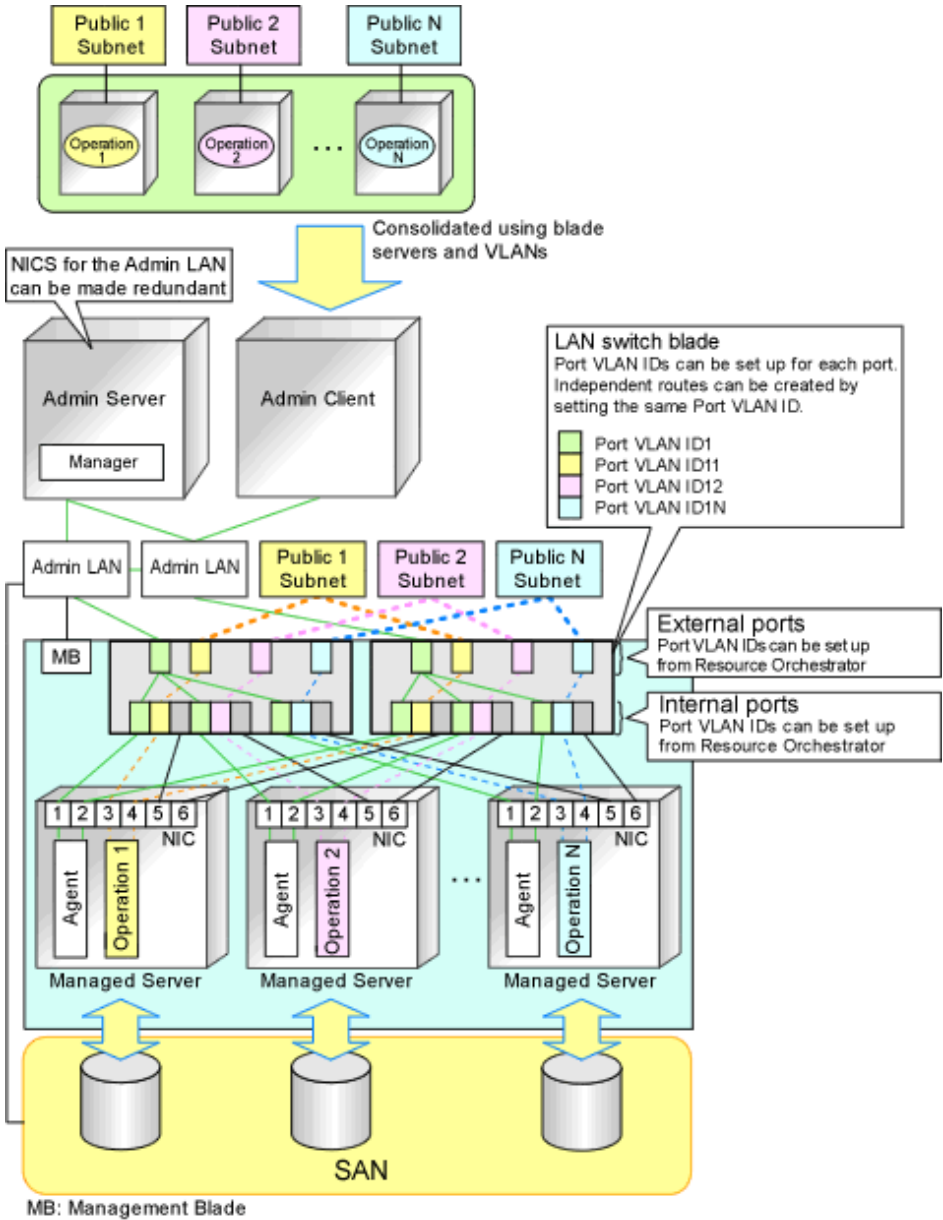
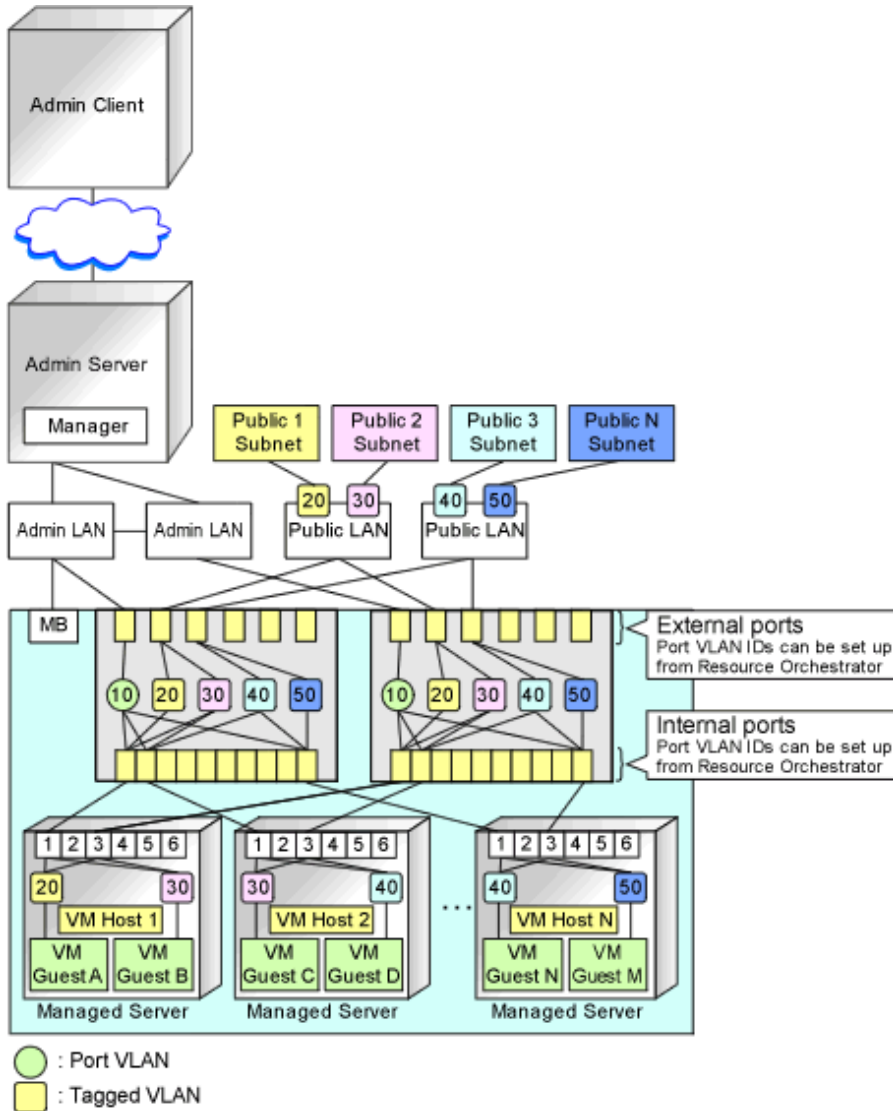


Figure 9.15 With Tagged VLANs



### Information

It is recommended that a dedicated admin LAN be installed as shown in "Example of VLAN network configuration (with PRIMERGY BX600)".

If you need to use the following functions, a dedicated admin LAN is required in order to allocate admin IP addresses to the managed servers using the DHCP server included with Resource Orchestrator.

- Backup and restore
- Collection and deployment of cloning images
- HBA address rename

In a configuration using a LAN switch blade, a VLAN has to be configured if the LAN switch blade is shared by an admin and public LANs where a dedicated admin LAN is required.

## 9.3.7 Pre-configuring Networks for Managed Storage Devices

Configure the information defined in "9.2.7 Network Settings for Managed Storage Units" on the managed storage.

For details on how to configure information on managed storage units, refer to the manuals for the storage units.

### 9.3.8 Pre-configuring Networks for Other Managed Hardware

Configure the information defined in "9.2.8 Network Settings for Other Managed Hardware" on the managed hardware.

For details on how to configure information on the managed hardware, refer to the manual for each hardware device.

### 9.3.9 Pre-configuration for Making iSCSI LAN Usable

Specify the following settings to make an iSCSI LAN usable.

- Configurations for LAN Switch Blades

Configure a VLAN ID for a LAN switch blade external port. Set trunk links when necessary.

- Configurations for Network Devices

Configure a VLAN ID for the port on the network device connected with the LAN switch blade. Set trunk links when necessary.

- Storage Configurations

Set the following items for the port for iSCSI connection.

- Admin IP address (IP address of the IPMI controller)
- Subnet mask
- Default gateway

Set the following items necessary for the connection with the server.

- Information of hosts that access the LUN
- CHAP authentication
- Mutual CHAP authentication

## 9.4 Preparations for Resource Orchestrator Network Environments

This section explains the preparations for setting up the network environment.

| Conditions   | Necessary Preparations   |
|--|--|
| <a href="#">When Automatically Configuring the Network</a>   | Create network resources   |
| <a href="#">When Using IBP</a>   | Create an IBP uplink set   |
| <a href="#">When Using an iSCSI LAN for iSCSI Boot</a>   | Create a network definition file for iSCSI boot                      |
| <a href="#">When Using Link Aggregation</a>  | Pre-configure link aggregation for LAN switch blades and L2 switches |
| <a href="#">When Using NICs other than Those in the Default Configuration of the Automatic Network Configuration</a> | Create a server NIC definition                                       |
| <a href="#">When Using Automatic Virtual Switch Configuration on Rack Mount or Tower Servers</a>                     | Create a server NIC definition                                       |
| <a href="#">When Deploying L-Servers even if the Service Console and Port Group are the Same</a>                     | Create the VMware excluded port group definition file                |
| <a href="#">When Managing Network Devices as Resources</a>   | Create network configuration information                             |

| Conditions   | Necessary Preparations   |
|--|--|
|  | Configuring definitions of the network device file management function |
|  | Registering external FTP servers                                       |
| When Automatically Configuring and Operating Network Devices | Create model definitions for the network devices                       |
|  | Create a folder for registering rulesets                               |
|  | Register sample scripts  |
| When Visualizing Networks Using NetworkViewer                | Create network configuration information                               |

## 9.4.1 When Automatically Configuring the Network

By connecting the NIC for an L-Server to a network resource, the following settings are automatically configured.

- [Automatic VLAN Configuration for LAN Switch Blades \(Physical/Virtual L-Servers\)](#)
- [Network Configuration for Blade Servers \(Physical/Virtual L-Servers\)](#)
- [Network Configuration for Rack Mount or Tower Servers \(Physical/Virtual L-Servers\)](#)
- [IP Address Auto-Configuration \(Virtual L-Servers\)](#)
- [Automatic Configuration for L2 Switches](#)
- [Automatic Network Configuration for Ethernet Fabric Switches \(Converged Fabric\)](#)

### 9.4.1.1 Automatic VLAN Configuration for LAN Switch Blades (Physical/Virtual L-Servers)

VLANs are automatically configured on LAN switch blades.

#### When Using Something other than PY CB DCB SW 10 Gb 18/6/6 as a LAN Switch Blade

There are the following three types of firmware for LAN switch blades:

- Switch Firmware  
Provides layer 2 switch functions.
- End-Host Firmware  
This provides the layer 2 switch functionality and pin connection functionality.
- IBP Firmware  
Delivers virtualization.

In Resource Orchestrator, operation of a LAN switch blade using Switch firmware is called Switch mode, operation using end-host firmware is called end-host mode, and operation using IBP firmware is called IBP mode.

For details, refer to the manual of the LAN switch blade.

- Switch Mode/End-Host Mode  
VLANs are automatically configured for a LAN switch blade port.
  - Automatic configuration for an internal connection port  
Automatic configuration of tagged VLANs and port VLANs for server blade internal connection ports is performed.
  - Automatic configuration for an uplink port  
Automatic configuration of tagged VLANs that connect to network devices, such as access switches out of chassis, is performed.

## Information

Automatic configuration of tagged VLANs for uplink ports is triggered by the creation or modification of network resources. Modifying network resources here means the addition of uplink ports.

- IBP Mode

Connect to the port group that was created beforehand. Automatic configuration of VLANs is not supported.

### When Using a PY CB DCB SW 10Gb 18/6/6 as a LAN Switch Blade

VLANs are automatically configured for a LAN switch blade port.

- Automatic configuration for an internal connection port

Automatic configuration of tagged VLANs and port VLANs for server blade internal connection ports is performed.

### When Using a PY CB 10Gb FEX Nexus B22 as a LAN Switch Blade

VLANs are not automatically configured for LAN switch blade ports.

## Note

- When automatically configuring tagged VLANs for uplink ports, the following functions must be enabled:

- Automatic network configuration
- Automatic configuration for uplink ports

Set the link aggregation in advance, if the VLAN auto-configuration of the external ports making up the link aggregation is to be enabled.

- When configuring the port VLAN for an uplink port, manually configure the settings from the server resource tree on the ROR console.

- Creating the following network resources may generate network loops.

- Automatically configuring VLAN for an uplink port
- Specifying multiple uplink ports on a single LAN switch blade

In these cases, take actions to prevent network loops, such as disconnecting the cables for uplink ports, and then create network resources.

- Untagged VLAN 1 cannot be used as an external port that is the target of VLAN auto-configuration.

If untagged VLAN 1 is to be used, disable VLAN auto-configuration and set the VLAN manually.

- The VLAN set for external ports by VLAN auto-configuration will not be automatically deleted even if the relevant network resource is deleted.

The infrastructure manager should check the network configuration, and if the VLAN settings of the external ports are deemed unnecessary, then they should be deleted from the VLAN settings for LAN switch blades in the ROR console.

- VLAN auto-configuration for external ports that compose link aggregations can be used for LAN switch blades in the following blade servers where the mode is switch or end host.

- Blade Servers
  - PRIMERGY BX400 series servers
  - PRIMERGY BX900 series servers
- Switch Blade
  - PY CB Eth switch/IBP 10Gb 18/8
  - PY CB Eth Switch 10/40Gb 18/8+2

- PY CB Eth switch/IBP 1Gb 36/8+2
  - PY CB Eth switch/IBP 1Gb 36/12
  - PY CB Eth switch/IBP 1Gb 18/6
- Automatic configuration is not performed for external ports of PY CB DCB SW 10Gb 18/6/6.  
 If configuration of a VLAN is necessary for an uplink port, configure it manually.  
 For details on how to configure VLAN settings, refer to the manual of the relevant hardware.



See

For details on how to create network resources which automatically configure VLANs for LAN switch blade uplink ports, refer to "7.4.2 Changing VLANs Set for External Connection Ports of LAN Switch Blades" in the "User's Guide for Infrastructure Administrators (Resource Management) CE".

### When Using Fujitsu PRIMERGY Converged Fabric Switch Blade (10 Gps 18/8+2) as an Ethernet Fabric

Refer to "9.4.1.9 Automatic Network Configuration for Ethernet Fabric Switches (Converged Fabric)".

## 9.4.1.2 Network Configuration for Blade Servers (Physical/Virtual L-Servers)

### Automatic Network Configuration

When the NIC for an L-Server and a network resource are connected, the network is automatically configured.

The explanation given here is for a non-redundant configuration of a LAN switch blade. For automatic configuration items including redundant configuration, refer to "Table 9.1 Network Configurations for Blade Servers".

For details on the timing of automatic configuration, refer to "Table 2.5 Timing of Automatic Network Settings Execution (Switches)".

For the configurations that support automatic configuration, refer to the following:

- For Physical L-Servers

Refer to "Physical Server (Blade Server) Configuration to Support Automation of Network Configuration in Resource Orchestrator" in "7.3.1 Automatic Network Configuration" in the "Setup Guide CE".

- For Virtual L-Servers

[VMware]

Refer to "Default Blade Server Configuration to Support Automation of Network Configuration in Resource Orchestrator" in "8.2.4 Automatic Network Configuration" in the "Setup Guide CE".

[Hyper-V]

Refer to "Default Blade Server Configuration to Support Automation of Network Configuration in Resource Orchestrator" in "8.3.4 Automatic Network Configuration" in the "Setup Guide CE".



See

- For details on the rxcadm nicdefctl command, refer to "5.15 rxcadm nicdefctl" in the "Reference Guide (Command/XML) CE".
- For details on the server NIC definitions, refer to "15.13 Server NIC Definition" in the "Reference Guide (Command/XML) CE".

Figure 9.16 Automatic Network Configuration for Blade Servers

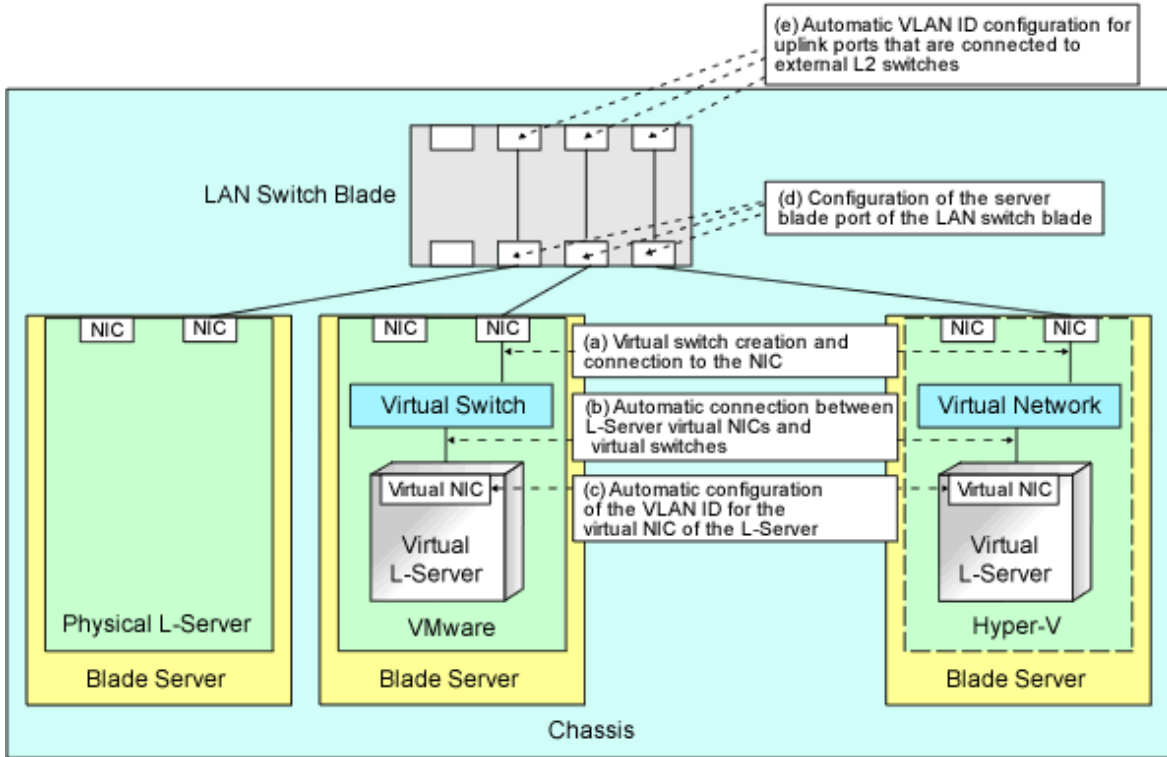


Table 9.1 Network Configurations for Blade Servers

|   |  | Physical L-Server |         | Virtual L-Server |         |          |          |           |         |          |         |                 |         |               |         |               |         |                  |         |                 |     |
|---|--|-------------------|---------|------------------|---------|----------|----------|-----------|---------|----------|---------|-----------------|---------|---------------|---------|---------------|---------|------------------|---------|-----------------|-----|
|   |  |                   |         | VMware           |         | Hyper-V  |          | RHEL5-Xen |         | RHEL-KVM |         | OVM for x86 2.2 |         | Solaris Zones |         | OVM for SPARC |         | Citrix XenServer |         | OVM for x86 3.x |     |
|   |  | Redundancy (*1)   | Without | With             | Without | With     | Without  | With      | Without | With     | Without | With            | Without | With          | Without | With          | Without | With             | Without | With            |     |
| A | Creating virtual switches and connecting to NICs (*2)                        | -                 | -       | Yes (*3)         | Yes     | Yes (*3) | Yes (*4) | No        | No      | No       | No      | No              | No      | No            | No      | No            | No      | No               | No      | No              | No  |
| B | Automatic connection between L-Server virtual NICs and virtual switches (*5) | Yes               | Yes     | Yes              | Yes     | Yes      | Yes      | Yes       | Yes     | Yes      | Yes     | Yes             | Yes     | Yes           | Yes     | Yes           | Yes     | Yes              | Yes     | Yes             | Yes |
| C | Automatic VLAN ID configuration for L-Server virtual NICs                    | -                 | -       | Yes              | Yes     | Yes      | Yes      | No        | No      | No       | No      | No              | No      | No            | No      | No            | No      | No               | No      | No              | No  |
| D | Configurations for the   | Yes               | Yes     | Yes              | Yes     | Yes      | Yes      | No        | No      | No       | No      | No              | No      | No            | No      | No            | No      | No               | No      | No              | No  |



|   |  | Physical L-Server |          | Virtual L-Server |          |                 |          |                 |          |                 |          |                 |          |                 |          |                 |          |                  |          |                 |          |
|---|--|-------------------|----------|------------------|----------|-----------------|----------|-----------------|----------|-----------------|----------|-----------------|----------|-----------------|----------|-----------------|----------|------------------|----------|-----------------|----------|
|   |  |                   |          | VMware           |          | Hyper-V         |          | RHEL5-Xen       |          | RHEL-KVM        |          | OVM for x86 2.2 |          | Solaris Zones   |          | OVM for SPARC   |          | Citrix XenServer |          | OVM for x86 3.x |          |
|   |  | Redundancy (*1)   |          | Redundancy (*1)  |          | Redundancy (*1) |          | Redundancy (*1) |          | Redundancy (*1) |          | Redundancy (*1) |          | Redundancy (*1) |          | Redundancy (*1) |          | Redundancy (*1)  |          | Redundancy (*1) |          |
|   |  | Wit<br>hou<br>t   | Wit<br>h | Wit<br>hou<br>t  | Wit<br>h | Wit<br>hou<br>t | Wit<br>h | Wit<br>hou<br>t | Wit<br>h | Wit<br>hou<br>t | Wit<br>h | Wit<br>hou<br>t | Wit<br>h | Wit<br>hou<br>t | Wit<br>h | Wit<br>hou<br>t | Wit<br>h | Wit<br>hou<br>t  | Wit<br>h | Wit<br>hou<br>t | Wit<br>h |
|   | server blade ports of LAN switch blades  | (*6)              |          | (*3,*7)          | (*7)     | (*3,*7)         | (*4,*7)  |                 |          |                 |          |                 |          |                 |          |                 |          |                  |          |                 |          |
| E | Automatic VLAN ID configuration for uplink ports that are connected to external L2 switches (*7) | Yes               | Yes      | Yes              | Yes      | Yes             | Yes      | Yes             | Yes      | Yes             | Yes      | Yes             | Yes      | Yes             | Yes      | Yes             | Yes      | Yes              | Yes      | Yes             |          |

Yes: Configured in Resource Orchestrator

No: Not configured in Resource Orchestrator

-: None

\*1: LAN redundancy.

For physical L-Servers, the NIC of the physical L-Server is the target of LAN redundancy.

For virtual L-Servers, the NIC connected to the virtual switch is the target of LAN redundancy.

\*2: Replace as follows for each server virtualization software.

Table 9.2 Correspondence Table for Server Virtualization Software

|  |   |
|--|---|
| VMware                                   | Creating virtual switches and port groups |
| Hyper-V                                  | Creating a virtual network                |
| RHEL5-Xen<br>RHEL-KVM<br>OVM for x86 2.2 | Creating a virtual bridge                 |
| Citrix XenServer                         | Creating a network on XenServer           |
| OVM for x86 3.x                          | Creating a virtual machine network        |
| OVM for SPARC                            | Creating a virtual switch                 |

### Information

- When using VMware as server virtualization software, the following configurations are automatically performed:
  - Virtual switch creation
  - VLAN configuration for virtual switches
  - Teaming connection of virtual switches and NICs
- When using Hyper-V as server virtualization software, the following configurations are automatically performed:
  - Virtual network creation
  - VLAN configuration for virtual networks

Teaming connections of virtual networks and NICs are automatic if teaming settings are configured for NICs in advance.

\*3: In order to configure the network automatically, it is necessary to create a server NIC definition suitable for the server to be configured, and then reflect the definition on the manager using the `rcxadm nicdefctl commit` command in advance.

For details on the server NIC definitions, refer to "15.13 Server NIC Definition" in the "Reference Guide (Command/XML) CE".

For details on the `rcxadm nicdefctl` command, refer to "5.15 rcxadm nicdefctl" in the "Reference Guide (Command/XML) CE".

When not using server NIC definitions, manually configure the network.

\*4: Automatic configuration is possible for redundancy configurations with Intel PROSet or GLS.

\*5: Replace as follows for each server virtualization software.

Table 9.3 Correspondence Table for Server Virtualization Software

|  |  |
|--|--|
| VMware                                   | Connections Virtual NICs of L-Servers and Port Groups of Virtual Switches  |
| Hyper-V                                  | Connections Virtual NICs of L-Servers and Virtual Networks   |
| RHEL5-Xen<br>RHEL-KVM<br>OVM for x86 2.2 | VLAN ID configuration for the L-Server virtual network interface and connection with virtual bridges which have been created manually in advance |
| Citrix XenServer                         | Connection of the L-Server virtual network interface with the network on XenServer   |
| OVM for x86 3.x                          | Connection of the L-Server virtual network interface with the virtual machine network  |
| OVM for SPARC                            | Connection of the L-Server virtual network interface with the virtual switch   |

### Information

If VMware is used as the server virtualization software and the same VLAN ID is used for the service console and port group, the port group and L-Server can be connected by creating a VMware excluded port group definition file.

For details on VMware excluded port group definition files, refer to "15.14 VMware Exclusion Port Group Definition File" in the "Reference Guide (Command/XML) CE".

\*6: Configure a port VLAN or a tagged VLAN. For details on how to configure VLANs, refer to "5.4.4.2 Configuring VLANs on Internal Connection Ports" in the "User's Guide for Infrastructure Administrators (Resource Management) CE".

\*7: Configure a tagged VLAN.

In Resource Orchestrator, when a virtual L-Server is connected to the admin LAN that has the same subnet address as the admin server, to preserve security, virtual switches are not automatically created.

Ensure the network security of the communication route between the admin server and the virtual L-Server, and then create virtual switches.

## Manual Network Configuration

For configurations other than the default blade server configuration that supports automatic network configuration, manually configure the network, referring to the following:

- For Physical L-Servers

For details, refer to "7.3.2 Manual Network Configuration" in the "Setup Guide CE".

- For Virtual L-Servers

[VMware]

For details, refer to "8.2.5 Manual Network Configuration" in the "Setup Guide CE".

[Hyper-V]

For details, refer to "8.3.5 Manual Network Configuration" in the "Setup Guide CE".

### 9.4.1.3 Network Configuration for Rack Mount or Tower Servers (Physical/Virtual L-Servers)

For rack mount or tower servers, make connections between L-Server virtual NICs and virtual switches.

Figure 9.17 Network Configuration for Rack Mount or Tower Servers

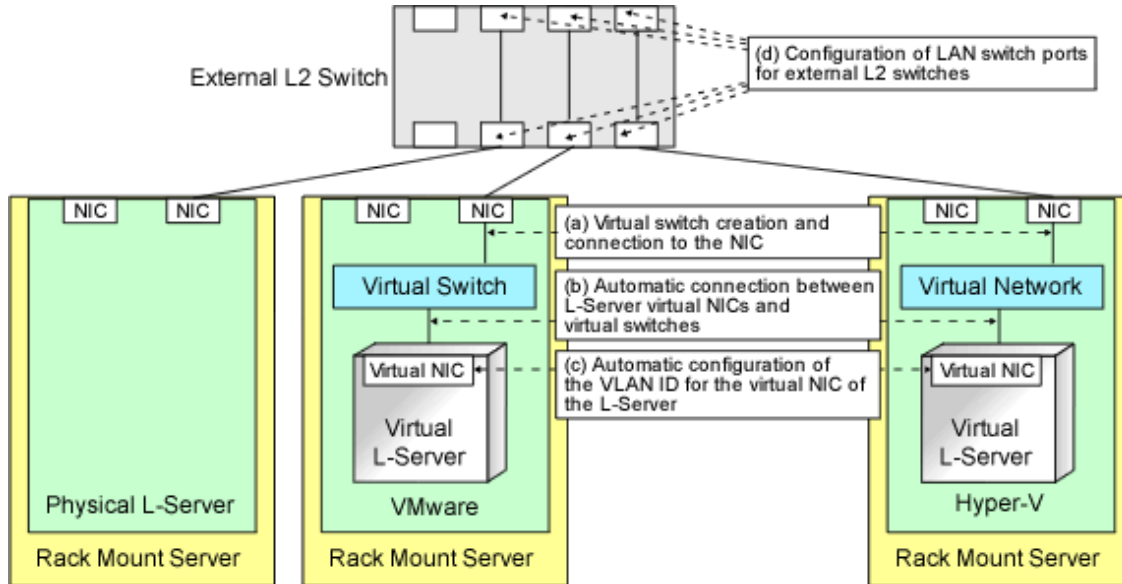


Table 9.4 Network Configurations for Rack Mount or Tower Servers

|   |  | Physical L-Server |     | Virtual L-Server |     |                 |     |                 |     |                 |     |                 |     |                 |     |                 |     |                  |     |                 |     |
|---|--|-------------------|-----|------------------|-----|-----------------|-----|-----------------|-----|-----------------|-----|-----------------|-----|-----------------|-----|-----------------|-----|------------------|-----|-----------------|-----|
|   |  |                   |     | VMware           |     | Hyper-V         |     | RHEL5-Xen       |     | RHEL-KVM        |     | OVM for x86 2.2 |     | Solaris Zones   |     | OVM for SPARC   |     | Citrix XenServer |     | OVM for x86 3.x |     |
|   |  | Redundancy (*1)   |     | Redundancy (*1)  |     | Redundancy (*1) |     | Redundancy (*1) |     | Redundancy (*1) |     | Redundancy (*1) |     | Redundancy (*1) |     | Redundancy (*1) |     | Redundancy (*1)  |     |                 |     |
|   |  | With              | out | With             | out | With            | out | With            | out | With            | out | With            | out | With            | out | With            | out | With             | out |                 |     |
| A | Creating virtual switches and connecting to NICs (*2)                        | -                 | -   | Yes              | Yes | No              | No  | No              | No  | No              | No  | No              | No  | No              | No  | No              | No  | No               | No  | No              | No  |
| B | Automatic connection between L-Server virtual NICs and virtual switches (*3) | -                 | -   | Yes              | Yes | Yes             | Yes | Yes             | Yes | Yes             | Yes | Yes             | Yes | Yes             | Yes | Yes             | Yes | Yes              | Yes | Yes             | Yes |
| C | Configuration of VLAN IDs used by L-Server virtual NICs                      | -                 | -   | Yes              | Yes | Yes             | Yes | No              | No  | No              | No  | No              | No  | No              | No  | No              | No  | No               | No  | No              | No  |
| D | Configuration of LAN switch  | Yes               | Yes | Yes              | Yes | Yes             | Yes | Yes             | Yes | Yes             | Yes | Yes             | Yes | Yes             | Yes | Yes             | Yes | Yes              | Yes | Yes             | Yes |

|                                     | Physical L-Server | Virtual L-Server |          |                 |          |                 |          |                 |          |                 |          |                 |          |                 |          |                  |          |                 |          |
|-------------------------------------|-------------------|------------------|----------|-----------------|----------|-----------------|----------|-----------------|----------|-----------------|----------|-----------------|----------|-----------------|----------|------------------|----------|-----------------|----------|
|                                     |                   | VMware           |          | Hyper-V         |          | RHEL5-Xen       |          | RHEL-KVM        |          | OVM for x86 2.2 |          | Solaris Zones   |          | OVM for SPARC   |          | Citrix XenServer |          | OVM for x86 3.x |          |
|                                     |                   | Redundancy (*1)  |          | Redundancy (*1) |          | Redundancy (*1) |          | Redundancy (*1) |          | Redundancy (*1) |          | Redundancy (*1) |          | Redundancy (*1) |          | Redundancy (*1)  |          | Redundancy (*1) |          |
|                                     |                   | Wit<br>hou<br>t  | Wit<br>h | Wit<br>hou<br>t | Wit<br>h | Wit<br>hou<br>t | Wit<br>h | Wit<br>hou<br>t | Wit<br>h | Wit<br>hou<br>t | Wit<br>h | Wit<br>hou<br>t | Wit<br>h | Wit<br>hou<br>t | Wit<br>h | Wit<br>hou<br>t  | Wit<br>h | Wit<br>hou<br>t | Wit<br>h |
| ports for external L2 switches (*4) |                   |                  |          |                 |          |                 |          |                 |          |                 |          |                 |          |                 |          |                  |          |                 |          |

Yes: Configured in Resource Orchestrator

No: Not configured in Resource Orchestrator

\*1: LAN redundancy.

For physical L-Servers, the NIC of the physical L-Server is the target of LAN redundancy.

For virtual L-Servers, the NIC connected to the virtual switch is the target of LAN redundancy.

\*2: In order to configure the network automatically, it is necessary to create a server NIC definition suitable for the server to be configured, and then reflect the definition on the manager using the rxcadm nicdefctl commit command in advance.

For details on the server NIC definitions, refer to "15.13 Server NIC Definition" in the "Reference Guide (Command/XML) CE".

For details on the rxcadm nicdefctl command, refer to "5.15 rxcadm nicdefctl" in the "Reference Guide (Command/XML) CE".

Replace as follows for each server virtualization software.

Table 9.5 Correspondence Table for Server Virtualization Software

|  |   |
|--|---|
| VMware                                   | Creating virtual switches and port groups |
| Hyper-V                                  | Creating a virtual network                |
| RHEL5-Xen<br>RHEL-KVM<br>OVM for x86 2.2 | Creating a virtual bridge                 |
| Citrix XenServer                         | Creating a network on XenServer           |
| OVM for x86 3.x                          | Creating a virtual machine network        |
| OVM for SPARC                            | Creating a virtual switch                 |



## Information

When using VMware as server virtualization software, the following configurations are automatically performed:

- Virtual switch creation
- VLAN configuration for virtual switches
- Teaming connection of virtual switches and NICs

The model names of rack mount or tower servers that can perform virtual switch creation, VLAN configuration, and teaming connection are as follows:

- RX100 S5/S6
- RX200 S4/S5/S6/S7/S8
- RX300 S4/S5/S6/S7/S8
- RX600 S4/S5
- RX900 S1

- RX2520 M1
- RX2530 M1/M2/M4
- RX2540 M1/M2/M4
- RX4770 M1/M2/M4
- TX150 S6/S7
- TX200 S5/S6
- TX300 S4/S5/S6

\*3: Replace as follows for each server virtualization software.

Table 9.6 Correspondence Table for Server Virtualization Software

|  |  |
|--|--|
| VMware                                   | Connections Virtual NICs of L-Servers and Port Groups of Virtual Switches  |
| Hyper-V                                  | Connections Virtual NICs of L-Servers and Virtual Networks   |
| RHEL5-Xen<br>RHEL-KVM<br>OVM for x86 2.2 | VLAN ID configuration for the L-Server virtual network interface and connection with virtual bridges which have been created manually in advance |
| Solaris Zones                            | Connection of the L-Server virtual network interface with the host network interface   |
| Citrix XenServer                         | Connection of the L-Server virtual network interface with the network on XenServer   |
| OVM for x86 3.x                          | Connection of the L-Server virtual network interface with the virtual machine network  |
| OVM for SPARC                            | Connection of the L-Server virtual network interface with the virtual switch   |

### Information

If VMware is used as the server virtualization software and the same VLAN ID is used for the service console and port group, the port group and L-Server can be connected by creating a VMware excluded port group definition file.

### See

For details on VMware excluded port group definition files, refer to "15.14 VMware Exclusion Port Group Definition File" in the "Reference Guide (Command/XML) CE".

\*4: Configured by network device automatic configuration.

## 9.4.1.4 IP Address Auto-Configuration (Virtual L-Servers)

[Physical Servers] [VMware] [Hyper-V] [KVM]

If a subnet address has been set for the network resource, the IP address can be automatically set when deploying an image to an L-Server. The settings for the IP address, subnet mask, and default gateway are configured according to DHCP settings.

[Hyper-V]

If the guest OS type is Windows, and integration services are installed, IP addresses can be set automatically.

[KVM]

When the guest OS type is Linux, IP addresses can be automatically configured.

[Xen] [OVM for x86 2.2]

Automatic configuration of IP addresses is not supported.

If a subnet address is set for a network resource, set an IP address manually after deploying an image to an L-Server (Also set an IP address manually on the DNS server).

For details on how to check IP addresses, refer to the Note of "16.3.4 [Network] Tab" in the "User's Guide for Infrastructure Administrators (Resource Management) CE".

If no subnet address has been set, manually set a subnet address for operation on the DHCP server after deploying an image to an L-Server.

### 9.4.1.5 Automatic Configuration for L2 Switches

When an L-Server or a network device (a firewall or server load balancer) is deployed on an L-Platform, definitions such as interfaces can be automatically configured on the L2 switch on the communication route, using a script created in advance.

### 9.4.1.6 Available Network Configurations

Available network configurations and configuration methods in Resource Orchestrator are given below.

#### **PRIMERGY Blade Servers**

##### - Non-Redundant Configuration

###### - For Physical L-Servers

For details, refer to "7.3.2 Manual Network Configuration" in the "Setup Guide CE".

###### - For Virtual L-Servers

Settings differ according to the server virtualization software being used.

[VMware]

For details, refer to "8.2.5 Manual Network Configuration" in the "Setup Guide CE".

[Hyper-V]

For details, refer to "8.3.5 Manual Network Configuration" in the "Setup Guide CE".

[Xen]

For details, refer to "8.4.4 Manual Network Configuration" in the "Setup Guide CE".

[KVM]

For details, refer to "8.6.4 Manual Network Configuration" in the "Setup Guide CE".

[OVM for x86 2.2]

For details, refer to "8.5.4 Manual Network Configuration" in the "Setup Guide CE".

[Solaris Zones]

For details, refer to "8.7.4 Manual Network Configuration" in the "Setup Guide CE".

[OVM for SPARC]

For details, refer to "8.8.4 Manual Network Configuration" in the "Setup Guide CE".

[Citrix XenServer]

For details, refer to "8.9.4 Manual Network Configuration" in the "Setup Guide CE".

[OVM for x86 3.x]

For details, refer to "8.10.4 Manual Network Configuration" in the "Setup Guide CE".

##### - Redundant Configuration

###### - For Physical L-Servers

Refer to "7.3.1 Automatic Network Configuration" and "7.8 Network Redundancy and VLAN Settings of L-Servers" in the "Setup Guide CE".

###### - For Virtual L-Servers

Settings differ according to the server virtualization software being used.

[VMware]

Refer to "8.2.4 Automatic Network Configuration" in the "Setup Guide CE".

[Hyper-V]

Refer to "Automatic Network Configuration for Blade Servers" in "8.3.4 Automatic Network Configuration" in the "Setup Guide CE".

[Xen]

For details, refer to "8.4.4 Manual Network Configuration" in the "Setup Guide CE".

[KVM]

For details, refer to "8.6.4 Manual Network Configuration" in the "Setup Guide CE".

[OVM for x86 2.2]

For details, refer to "8.5.4 Manual Network Configuration" in the "Setup Guide CE".

[Solaris Zones]

For details, refer to "8.7.4 Manual Network Configuration" in the "Setup Guide CE".

[OVM for SPARC]

For details, refer to "8.8.4 Manual Network Configuration" in the "Setup Guide CE".

[Citrix XenServer]

For details, refer to "8.9.4 Manual Network Configuration" in the "Setup Guide CE".

[OVM for x86 3.x]

For details, refer to "8.10.4 Manual Network Configuration" in the "Setup Guide CE".

## **PRIMERGY Rack Mount Servers, PRIMERGY Tower Servers, or PRIMEQUEST Servers**

### - Non-Redundant Configuration

#### - For Physical L-Servers

For details, refer to "7.3.2 Manual Network Configuration" in the "Setup Guide CE".

#### - For Virtual L-Servers

Settings differ according to the server virtualization software being used.

[VMware]

For details, refer to "8.2.5 Manual Network Configuration" in the "Setup Guide CE".

[Hyper-V]

For details, refer to "8.3.5 Manual Network Configuration" in the "Setup Guide CE".

[Xen]

For details, refer to "8.4.4 Manual Network Configuration" in the "Setup Guide CE".

[KVM]

For details, refer to "8.6.4 Manual Network Configuration" in the "Setup Guide CE".

[OVM for x86 2.2]

For details, refer to "8.5.4 Manual Network Configuration" in the "Setup Guide CE".

[Solaris Zones]

For details, refer to "8.7.4 Manual Network Configuration" in the "Setup Guide CE".

[OVM for SPARC]

For details, refer to "8.8.4 Manual Network Configuration" in the "Setup Guide CE".

[Citrix XenServer]

For details, refer to "8.9.4 Manual Network Configuration" in the "Setup Guide CE".

[OVM for x86 3.x]

For details, refer to "8.10.4 Manual Network Configuration" in the "Setup Guide CE".

### - Redundant Configuration

#### - For Physical L-Servers

Refer to "7.3.1 Automatic Network Configuration" in the "Setup Guide CE".

- For Virtual L-Servers

Settings differ according to the server virtualization software being used.

[VMware]

Refer to "8.2.4 Automatic Network Configuration" in the "Setup Guide CE".

[Hyper-V]

For details, refer to "8.3.5 Manual Network Configuration" in the "Setup Guide CE".

[Xen]

For details, refer to "8.4.4 Manual Network Configuration" in the "Setup Guide CE".

[KVM]

For details, refer to "8.6.4 Manual Network Configuration" in the "Setup Guide CE".

[OVM for x86 2.2]

For details, refer to "8.5.4 Manual Network Configuration" in the "Setup Guide CE".

[Solaris Zones]

For details, refer to "8.7.4 Manual Network Configuration" in the "Setup Guide CE".

[OVM for SPARC]

For details, refer to "8.8.4 Manual Network Configuration" in the "Setup Guide CE".

[Citrix XenServer]

For details, refer to "8.9.4 Manual Network Configuration" in the "Setup Guide CE".

[OVM for x86 3.x]

For details, refer to "8.10.4 Manual Network Configuration" in the "Setup Guide CE".

## Point

- When Creating Physical L-Servers

For details on the network configuration example, refer to "[Appendix D Preparations for Creating a Physical L-Server](#)".

- When Creating Virtual L-Servers

For details on the network configuration example, refer to "[Appendix E Preparations for Creating a Virtual L-Server](#)".

### 9.4.1.7 Network Settings for Physical L-Servers

When configuring NIC redundancy and tagged VLANs, or specifying a Red Hat Enterprise Linux image, the network on the OS is not automatically configured.

Collect an image with the preset script that configures the network at initial OS startup, and then create an L-Server using that image.

Physical L-Server network information (such as IP address, NIC redundancy, and tagged VLAN settings) is transferred to the OS as a network information file when the image is deployed to the OS.

For details on how to configure a network using a network information file, refer to "7.8 Network Redundancy and VLAN Settings of L-Servers" in the "Setup Guide CE".

When network configuration is not performed on the OS, create the L-Server then connect to it via the admin LAN or using the console, and configure the network on the OS on the L-Server.

## Note

Depending on operating conditions of the network configuration script, a communication error may occur on the business application that is installed on the server.

Since this error cannot be detected by Resource Orchestrator, please check any network errors that occur on user applications to detect it.

When those errors occur, the server or the application must be restarted.

Restart the server using the network configuration script.



## 9.4.1.8 Modifying Network Resource Specifications

The following network resource specifications can be modified.

- Basic Information (Network Resource Names, etc.)
- Connection Information (LAN Segments, etc.)
- Subnet Information (Subnet Addresses, etc.)

For details on how to modify network specifications, refer to "7.5 Modifying Network Resource Specifications" in the "User's Guide for Infrastructure Administrators (Resource Management) CE", and "15.6.2 Modification" in the "Reference Guide (Command/XML) CE".

## 9.4.1.9 Automatic Network Configuration for Ethernet Fabric Switches (Converged Fabric)

Resource Orchestrator manages all devices comprising an Ethernet fabric (Converged Fabric) as a single network device. To register them as a network device, it is necessary to perform the following operations.

- Create network configuration information (XML format)

For details, refer to "[9.4.8.1 When Creating Network Configuration Information \(XML Definition\)](#)".

- Register the resources as a network device

For details, refer to "5.7 Registering Network Devices" in the "User's Guide for Infrastructure Administrators (Resource Management) CE".

When creating a network resource, a VLAN port profile is created for an Ethernet fabric switch (Converged Fabric) with port profile configuration enabled.

Creating a VLAN port profile enables the port profile migration function (hereinafter AMPP) on the L-Server.

AMPP works with L-Server migration and automatically migrates the VLAN settings of the physical port of the Ethernet fabric switch (Converged Fabric) to the physical port of the Ethernet fabric switch (Converged Fabric) adjacent to the migration target server.



### Information

The target devices of automatic configuration using this function are as follows:

- Fujitsu PRIMERGY Converged Fabric Switch Blade (10 Gbps 18/8+2)
- Fujitsu Converged Fabric Switch

Figure 9.18 Automatic Network Configuration for Ethernet Fabric Switches (Converged Fabric)

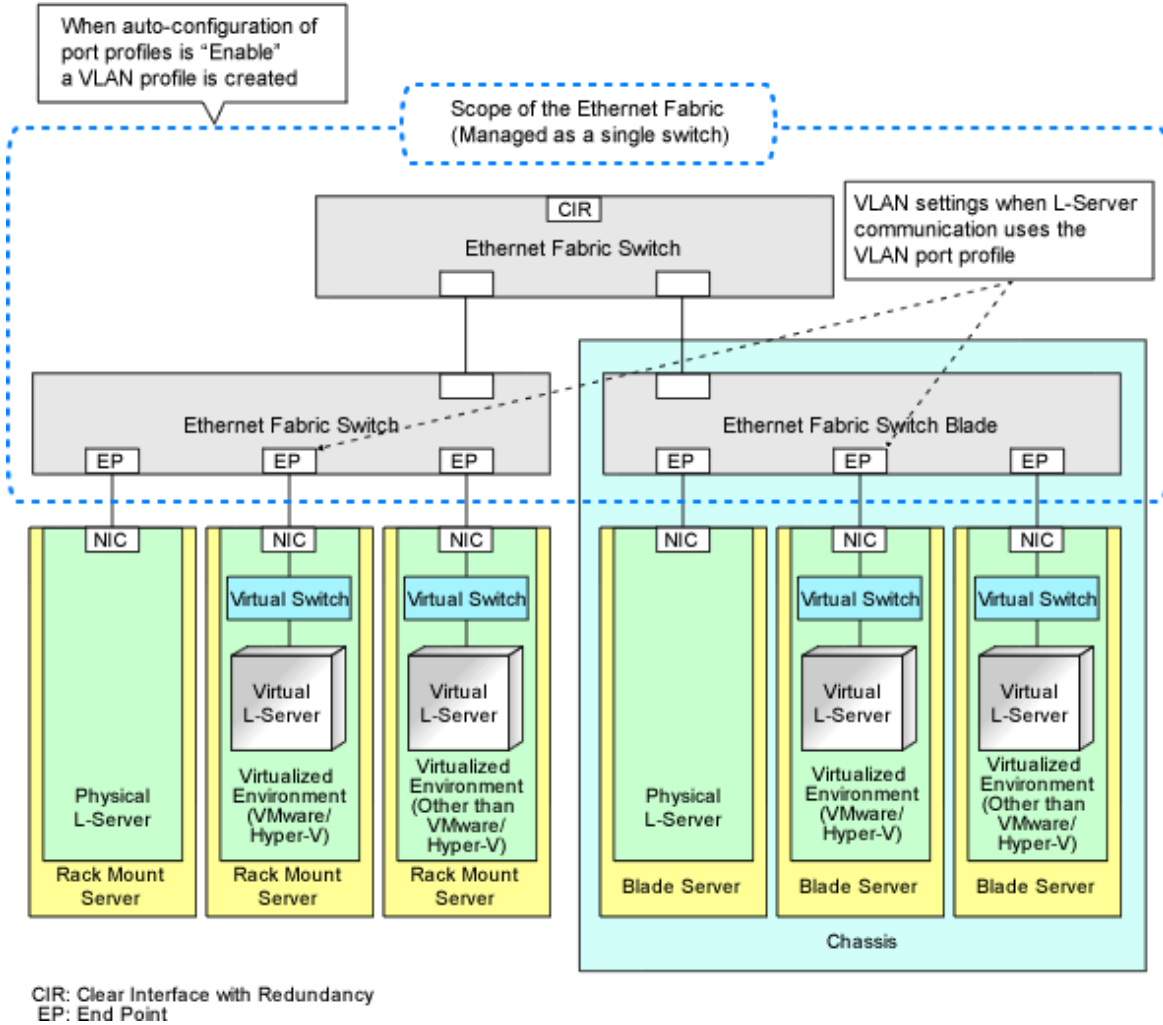


Table 9.7 AMPP Availability for Virtual L-Servers

| Profile   | Physical L-Servers           |               | Virtual L-Server             |       |                 |       |
|-----------|------------------------------|---------------|------------------------------|-------|-----------------|-------|
|           | Rack Mount and Tower Servers | Blade Servers | Rack Mount and Tower Servers |       | Blade Servers   |       |
|           |                              |               | VMware, Hyper-V              | Other | VMware, Hyper-V | Other |
| VLAN port | -                            | -             | Yes                          | -     | Yes             | -     |

Yes: Configured in Resource Orchestrator  
 No: Not configured in Resource Orchestrator  
 -: None

Table 9.8 Network Configurations for Ethernet Fabric Switches (Converged Fabric)

|   | Physical L-Servers |     | Virtual L-Server |     |                 |     |                 |     |                 |     |                 |     |                 |     |                 |     |                  |     |                 |  |
|---|--------------------|-----|------------------|-----|-----------------|-----|-----------------|-----|-----------------|-----|-----------------|-----|-----------------|-----|-----------------|-----|------------------|-----|-----------------|--|
|   |                    |     | VMware           |     | Hyper-V         |     | RHEL5-Xen       |     | RHEL-KVM        |     | OVM for x86 2.2 |     | Solaris Zones   |     | OVM for SPARC   |     | Citrix XenServer |     | OVM for x86 3.x |  |
|   | Redundancy (*1)    |     | Redundancy (*1)  |     | Redundancy (*1) |     | Redundancy (*1) |     | Redundancy (*1) |     | Redundancy (*1) |     | Redundancy (*1) |     | Redundancy (*1) |     | Redundancy (*1)  |     |                 |  |
|   | With               | out | With             | out | With            | out | With            | out | With            | out | With            | out | With            | out | With            | out | With             | out |                 |  |
| [When port profile configuration is enabled]<br>Creation of VLAN profiles   | Yes                | Yes | Yes              | Yes | Yes             | Yes | Yes             | Yes | Yes             | Yes | Yes             | Yes | Yes             | Yes | Yes             | Yes | Yes              | Yes |                 |  |
| [When port profile configuration is enabled]<br>VLAN configuration of the internal port for L-Server communications according to the link between the NIC of the L-Server and the VLAN port profile | -                  | -   | Yes              | Yes | Yes             | Yes | -               | -   | -               | -   | -               | -   | -               | -   | -               | -   | -                | -   |                 |  |
| Automatic VLAN ID configuration for uplink ports of LAN switch blades   | -                  | -   | -                | -   | -               | -   | -               | -   | -               | -   | -               | -   | -               | -   | -               | -   | -                | -   |                 |  |
| Automatic VLAN ID configuration for uplink ports of Ethernet fabric switches (Converged Fabric)   | -                  | -   | -                | -   | -               | -   | -               | -   | -               | -   | -               | -   | -               | -   | -               | -   | -                | -   |                 |  |

Yes: Configured in Resource Orchestrator  
 No: Not configured in Resource Orchestrator  
 -: None

\*1: LAN redundancy.

### 9.4.2 When Using IBP

When using IBP, it is necessary to create an IBP uplink set for the public LAN and the admin LAN in advance.

- For Physical L-Servers

For details, refer to "D.4 Network Preparations".

- For Virtual L-Servers

When using virtual L-Servers, after creating the IBP uplink sets to use for the public LAN and admin LAN, connect the IBP uplink sets to the VM host.

It is not necessary to combine the name of the uplink set and the name of the network resource.

## 9.4.3 When Using an iSCSI LAN for iSCSI Boot

[Physical Servers]

Create the following file in advance to define the network information used for iSCSI boot.

The network information is linked with the iSCSI boot information that is registered using the iSCSI boot operation command (rcxadm iscsictl). Refer to "15.4.2 iSCSI Boot Information" in the "Reference Guide (Command/XML) CE" beforehand.

iSCSI boot using CNA cannot be used. Use a NIC that is not a CNA.

### Storage Location of the Definition File

[Windows Manager]

*Installation\_folder*\SVROR\Manager\etc\customize\_data

[Linux Manager]

/etc/opt/FJSVrcvnr/customize\_data

### Definition File Name

- User Groups

iscsi\_user\_group\_name.rcxprop

- Common on System

iscsi.rcxprop

### Definition File Format

In the definition file, an item to define is entered on each line. Enter the items in the following format.

|                                   |
|-----------------------------------|
| <i>Variable</i> =<br><i>Value</i> |
|-----------------------------------|

When adding comments, start the line with a number sign ("#").

### Definition File Items

Table 9.9 Network Definition File Items for iSCSI Boot

| Variable                                  | Meaning  | Value  |
|---|--|--|
| server_model. <i>model_name</i> .boot_nic | <p>Specify the server model name and NIC to be booted using iSCSI.<br/>Multiple NICs can be specified.</p> <p>The following models can be specified:</p> <ul style="list-style-type: none"> <li>- BX620</li> <li>- BX920</li> <li>- BX922</li> <li>- BX924</li> <li>- BX960</li> </ul> <p>When setting the default, specify an asterisk ("*").</p> | <p>Specify the items in the following format.</p> <p><i>NIC</i>[<i>index</i>]</p> <p><i>index</i> is an integer starting from 1.</p> |



### Example

```
#Server Section
server_model.BX922.boot_nic = NIC1
server_model.BX924.boot_nic = NIC1,NIC2
server_model.*.boot_nic = NIC1,NIC2
```

- The entries are evaluated in the order they are added. When the same entry is found, the evaluation will be performed on the first one.
  - When setting the default, specify an asterisk ("\*").
- 

## 9.4.4 When Using Link Aggregation

---

When using link aggregation, configure link aggregation on the LAN switch blade and L2 switch in advance. For details on configuration of link aggregation, refer to the manual of the LAN switch blade and L2 switch.

When creating a network resource, specify the link aggregation group name as the external connection port of the network resource.

For details, refer to "[C.3 Using Link Aggregation](#)".

## 9.4.5 When Using NICs other than Those in the Default Configuration of the Automatic Network Configuration

---

When using blade servers, NICs other than those in the default configuration of automatic network configuration can be used by creating and registering a server NIC definition with the manager in advance.

The created server NIC definition can be enabled by executing the `rxadm nicdefctl commit` command. In the server NIC definition, define the relationship between the NICs of the managed blade servers and a physical LAN segment. By specifying this physical LAN segment from the network resource, it is possible to specify the NIC used by the network resource.

For details on the server NIC definitions, refer to "15.13 Server NIC Definition" in the "Reference Guide (Command/XML) CE".

For details on the `rxadm nicdefctl commit` command, refer to "5.15 `rxadm nicdefctl`" in the "Reference Guide (Command/XML) CE".

## 9.4.6 When Using Automatic Virtual Switch Configuration on Rack Mount or Tower Servers

---

When using VMware on managed rack mount or tower servers, virtual switches, and port groups can be automatically configured. In this case, it is necessary to create a server NIC definition and register it with the manager.

Use the `rxadm nicdefctl commit` command to register the server NIC definition with the manager.

For details on the server NIC definitions, refer to "15.13 Server NIC Definition" in the "Reference Guide (Command/XML) CE".

For details on the `rxadm nicdefctl commit` command, refer to "5.15 `rxadm nicdefctl`" in the "Reference Guide (Command/XML) CE".

## 9.4.7 When Deploying L-Servers even if the Service Console and Port Group are the Same

---

When using VMware as the server virtualization software, in order to deploy L-Servers even if the service console and port group is the same, it is necessary to create a VMware excluded port group definition file.

For details on VMware excluded port group definition files, refer to "15.14 VMware Exclusion Port Group Definition File" in the "Reference Guide (Command/XML) CE".

## 9.4.8 When Managing Network Devices as Resources

---

Preparation required in advance to manage network devices as resources is explained in this section.

| Conditions where Preparation is Required  | Details of Preparation  |
|---|---|
| <a href="#">When Creating Network Configuration Information (XML Definition)</a><br>(Required Preparations) | Creating network configuration information (XML definition)                                       |
| <a href="#">When Using the Network Device File Management Function</a>                                      | Configuring definitions of the network device file management function                            |
|   | Registering external FTP servers  |
|   | Setting the login information of network devices  |
| <a href="#">When Modifying the Values of Network Device Configuration Files</a>                             | Modifying the settings used in the definition file of the network device file management function |
| <a href="#">When Using Port Profile Configuration Files</a>   | Creating the port profile configuration function definition file                                  |

### 9.4.8.1 When Creating Network Configuration Information (XML Definition)

The infrastructure administrator creates network configuration information (XML definition files) for registering network devices based on the network device information (admin IP address, account information, connection information) obtained from the network device administrator.

- [When Registering Network Devices as Network Devices before Installing Them](#)
- [When Batch Registering or Modifying Multiple Network Devices](#)
- [When Automatically Configuring Network Devices](#)
- [When Registering a Network Device that Provides a Web Interface for Management](#)
- [When Registering Redundant Network Devices as Network Devices](#)
- [When Visualizing Networks](#)
- [When Deploying Physical L-Servers](#)
- [When Registering an L2 Switch](#)
- [When Registering Unsupported Network Device Models](#)
- [When Regularly Monitoring Network Devices Registered as Network Device Resources](#)
- [When Registering an Ethernet Fabric Switch \(Converged Fabric\)](#)
- [When Registering an Ethernet Fabric Switch \(VCS\)](#)
- [When Registering IPCOM VX](#)
- [When Registering IPCOM VA](#)

#### **When Registering Network Devices as Network Devices before Installing Them**

When a network device is registered as a network device, the monitoring function starts monitoring the state of that device. To avoid unnecessary monitoring, specify "true" for the Maintenance element when registering devices.

This setting enables the maintenance mode, excluding that device from monitored devices. After installing a network device and making it a monitoring target, release the maintenance mode.

The Maintenance element can be specified on individual network devices (individual Netdevice elements) to be registered.

#### **When Batch Registering or Modifying Multiple Network Devices**

- When registering or modifying multiple network devices at the same time, it is possible to register link information.

When specifying the device information (Devices) in the link information (in the Links element), it is necessary to specify the port name used to connect the network device.

## Information

The methods to confirm port names are as follow:

- When the network device is something other than an Ethernet Fabric switch

If the ifName of the standard MIB of the network device is unknown, use the snmpwalk command to confirm the port name.

### Example

```
snmpwalk -v 1 -c [SNMP_community_name] [IP_address] ifName
```

If the information is available from the manual or vendor of the destination device, obtain it from there.

- When the network device is an Ethernet Fabric switch (Converged Fabric)

Login remotely to the representative virtual IP address of the fabric of the corresponding device and confirm the name of the connection port necessary for registration, using the following command:

```
# show running-config
```

Port name and port type are displayed in the following form.

```
interface domain_id/switch_id/chassis_id/port
type type
```

Port name is displayed following "interface". Port type is displayed following "type" after that.

### Example

```
interface 3/1/0/3
type cir
```

The port names of the following port types can be specified for "unit connection port name" of the link information.

- "type cir"  
The port that connects to an external network device.
- "type endpoint"  
The port that connects to a server.
- "type linkaggregation group"  
The port that is "type cir" or "type endpoint" and uses link aggregation.

For details on the display contents of commands, refer to Ethernet Fabric switch manuals.

- When the network device is an Ethernet Fabric switch (VCS)

Login remotely to the representative virtual IP address of the fabric of the corresponding device and confirm the name of the connection port necessary for registration, using the following command:

```
# show running-config
```

Port name and port type are displayed in the following form.

```
interface interface_name rbridge-id/slot/port
```

Port name is displayed following the interface name of "interface".

## Example

```
interface TenGigabitEthernet 2/0/1
```

For details on the display contents of commands, refer to Ethernet Fabric switch manuals.

- It is not necessary to specify the logical link information between IPCOM VX and IPCOM VA when the IPCOM VX firmware version is E10L12 or later.
  - When registering multiple network devices at once with the link information already registered, if link information (under the Links element) is defined in the network configuration information, already registered link information is processed according to the setting of the registration mode (the Mode element).
    - When "add" is specified  
The same link information is not overwritten.
    - When "modify" is specified  
Already registered link information is deleted, and then defined link information is registered.
- Already registered connection information can be retrieved using the rxcadm netconfig export command.

### When Automatically Configuring Network Devices

Specify the account information registered in "[9.3.3 Pre-configuring Managed Network Devices](#)" in the XML definition file.

If incorrect account information is specified in the XML definition file, logging in to the network device will fail and automatic configuration of the network device cannot be performed.

To check in advance whether the specified account information is correct, specify "check=true" for the LoginInfo element. This allows the login process to be performed using the specified account to check that login is possible.

However, if the account information has not been registered, because you do not use any function that uses account information, it is not necessary to specify the LoginInfo element.

The LoginInfo element can be specified on individual network devices (individual Netdevice tags) to be registered.

When "telnet" has been specified in the protocol element, only account information for network devices satisfying all of the following conditions can be confirmed.

| Vendor  | Unit Name  | Prompt Type         | Prompt Character                                       |
|---------|--|---------------------|--|
| Fujitsu | SR-X<br>Ethernet Fabric (*1)                     | Login prompt        | Login:   |
|         |  | Password prompt     | Password:  |
|         |  | Command prompt (*2) | <i>Arbitrary string</i> #<br><i>Arbitrary string</i> > |
|         | IPCOM EX<br>IPCOM VX<br>IPCOM VA<br>NS Appliance | Login prompt        | login:   |
|         |  | Password prompt     | Password:  |
|         |  | Command prompt (*2) | <i>Arbitrary string</i> #<br><i>Arbitrary string</i> > |
| Cisco   | Catalyst<br>ASA                                  | Login prompt        | Username:  |
|         |  | Password prompt     | Password:  |
|         |  | Command prompt (*2) | <i>Arbitrary string</i> #<br><i>Arbitrary string</i> > |
|         | Nexus  | Login prompt        | login:   |
|         |  | Password prompt     | Password:  |
|         |  | Command prompt (*2) | <i>Arbitrary string</i> #                              |



| Vendor      | Unit Name   | Prompt Type                                       | Prompt Character           |
|-------------|-------------|---|----------------------------|
|             |             |   | <i>Arbitrary string</i> >  |
| Brocade     | VDX         | Login prompt                                      | Login:                     |
|             |             | Password prompt                                   | Password:                  |
|             |             | Command prompt (*2)                               | <i>Arbitrary string</i> #  |
|             |             |   | <i>Arbitrary string</i> >  |
| F5 Networks | BIG-IP (*3) | Login prompt<br>Password prompt<br>Command prompt | There are no restrictions. |

\*1: Fujitsu PRIMERGY Converged Fabric switch blades (10 Gbps 18/8+2) or Fujitsu Converged Fabric switch are the targets.

\*2: The "#" or ">" following *arbitrary string* is used as a prompt character for the command prompt.

\*3: The model name for the BIG-IP LTM series is handled as "BIG-IP".

### When Registering a Network Device that Provides a Web Interface for Management

When a problem occurs on the system, sometimes investigation may be performed using the Web interface provided by the network device. In such cases, it was necessary to start the web interface of the network device from another Web browser. However, specifying a URL for opening the web interface of the network device for the MgmtURL element when registering the network device makes it be possible to quickly open the web interface of the network device from the ROR console.

The MgmtURL element can be specified on individual network devices (individual Netdevice tags) to be registered.

### When Registering Redundant Network Devices as Network Devices

Network devices that have the same "vendor name" and "device name" can be registered for redundant configurations. When registering a network device that has the same vendor name and device name, specify the same value as the registered network device for "Group\_ID" of the Redundancy group\_id element to treat that device as being in a redundant configuration.

For the "vendor name" and "device name" of a network device, collect MIB information from the network device when registering it, and confirm that the "vendor name" and "device name" are same as the ones of the registered device.

### When Visualizing Networks

Register following network link information enables visualization of their connection relationships.

- Link information between two network devices
- Link information between network devices and LAN switch blades
- Link information between network devices and rack mount servers or tower servers

For details on visualization of networks, refer to "Chapter 11 NetworkViewer" in the "User's Guide for Infrastructure Administrators (Resource Management) CE".

For details on how to specify link information, refer to "15.6.1 Creation" in the "Reference Guide (Command/XML) CE".

### Information

When visualizing the link information between network devices and rack mount servers or tower servers, the following links are displayed for each server depending on the specifications of the link information of the network configuration information (XML definition).

Table 9.10 Displayed Link Information

| Specification of the Connection Port Name of the Network Configuration Information | Displayed Link Information  |
|--|---|
| Connection port name of the device (Port)  | The link to the NIC with the number specified in <Port> is displayed. |
| Connection port name of the device for display (NicIndex)                          | The link to the NIC with Index specified in <NicIndex> is displayed.  |

| Specification of the Connection Port Name of the Network Configuration Information                              | Displayed Link Information  |
|---|---|
| The connection port name of the device (Port) and the connection port name of the device for display (NicIndex) | The link to the NIC with Index specified in <NicIndex> is displayed.<br>The link to the NIC with the number specified in <Port> is not displayed. |

## When Deploying Physical L-Servers

In order to perform automatic configuration of network devices when deploying physical L-servers, it is necessary to register the information about links between the network devices and the rack mount or tower servers.

- Register all link information of the admin LAN and public LANs connected to the rack mount servers or tower servers.
- It is necessary to align the NIC number of the rack mount server or tower server with the subscript of the interface name of the server OS in advance. Also, use NIC1 and NIC2 (for redundancy) for the admin LAN.  
As NIC numbers used for the public LAN are 3 or a higher number, be careful when specifying connection information.



### Example

[Windows]

NIC number = the subscript of the OS interface name

The first NIC: Local Area Connection

The second NIC: Local Area Connection 2

[Linux]

NIC number -1 = the subscript of the OS interface name

The first NIC: eth0

The second NIC: eth1

For details on how to specify link information, refer to "15.6.1 Creation" in the "Reference Guide (Command/XML) CE".

## When Registering an L2 Switch

When registering an L2 switch as a network device, omit the Tenant element.

## When Registering Unsupported Network Device Models

Add the model of the network device to be registered to the model definition for network devices, and register the network device after updating the model definition file.

## When Regularly Monitoring Network Devices Registered as Network Device Resources

When the workload of the network or network devices is temporarily increased, the response to the communication of regular monitoring may be delayed. When this delay exceeds the time-out period, the communication for regular monitoring will be executed again.

Therefore, if the monitoring interval (Interval element) or timeout period (Timeout element) specified during registration is short, the number of communications for regular monitoring may increase. It is recommended to use the default values in order to avoid increasing the load on the network and network devices.

## When Registering an Ethernet Fabric Switch (Converged Fabric)

- About the port name to specify for the link information

Specify a port with the type EP (End Point) and CIR (Clean Interface with Redundancy).

For details on how to confirm the port name to specify, refer to "[When Batch Registering or Modifying Multiple Network Devices](#)".

- About the admin IP address to specify as network device information

Specify the representative virtual IP address of the fabric.

## - About Virtual Fabrics (VFAB)

When managing virtual fabrics using Resource Orchestrator, it is necessary to define the virtual fabric information in the Vfab element of the network configuration information.

### - Usage form of virtual fabrics

Virtual fabrics can be used in the following two forms using Resource Orchestrator:

- Use pre-configured virtual fabrics.
- Auto-configuration of virtual fabrics.

### - When using pre-configured virtual fabrics

Specify "false" for the vfabauto attribute of the Vfab element, and specify pre-configured information for the other definitions under the Vfab element.

Do not specify values for the Dot1adPorts element or the CirPorts element.

If the Ethernet Fabric switch (Converged Fabric) is using V02.30 or a later version of firmware, virtual fabrics are automatically detected, therefore it is not necessary to define the Vfab element.

### - When configuring virtual fabrics automatically

Specify "true" for the vfabauto attribute of the Vfab element, and specify the information to automatically configure for the other definitions under the Vfab element.

When configuring a virtual fabric in host mode, the CIR for the virtual fabric can be automatically configured by specifying a CIR port in the CirPort element.

For details, refer to "[H.1.3 Virtual Fabrics](#)".

When connecting with IPCOM VX, IEEE802.1ad frame communication ports can be automatically configured by specifying a port to connect with the IPCOM VX in the Dot1adPort element.

### - Relationship with tenants

In Resource Orchestrator, virtual fabrics are handled as being related to tenants.

By allocating a virtual fabric for each tenant, it is possible to provide an independent VLAN space for each tenant.

To associate a virtual fabric with a tenant, specify the tenant name in the Tenant element of the Vfab tag.

For details on the relationship between tenants and virtual fabrics, refer to "[H.1.3 Virtual Fabrics](#)".

### - About operation of Virtual Fabrics (VFAB)

Specify the Vfab element so the number of operated VFABs does not exceed the limit (100).

Operated VFABs differ depending on the value specified for the VFAB registration mode (the Mode element) as follows.

- When the VFAB registration mode is omitted or set to "replace"

The sum of the number of Vfab elements included in the network configuration information and the number of registered VFABs not corresponding to the VFAB ID attributes of such Vfab elements (VFABs to be deleted)

- When the VFAB registration mode is set to "add", "modify", or "delete"

The number of Vfab elements included in the network configuration information



### Note

When modifying the configuration of the domain switch in an Ethernet Fabric switch which is registered with Resource Orchestrator as a network device, reflect the modified information on Resource Orchestrator.

For details on how to reflect the modified information, refer to "9.5.3.4 Reflecting a Modified Domain Switch Configuration on the Ethernet Fabric" in the "Operation Guide CE".

## When Registering an Ethernet Fabric Switch (VCS)

### - About the admin IP address to specify as network device information

Specify the Virtual IP of the VCS set in "vcs virtual ip".

For details, refer to the manual of the relevant product.

## Note

- Register a VCS fabric which has been configured using Management Cluster mode, and has "vcs virtual ip" set.
- Set the same character string for all VDX system names used for configuring the VCS fabric.

### When Registering IPCOM VX

- Specify "ManagementHost" in the Type element.
- Register the link information of Ethernet Fabric switches (Converged Fabric) and IPCOM VA.  
For details on the IPCOM VA link information, refer to "[When Registering IPCOM VA](#)".

### When Registering IPCOM VA

- For the type (Type element), specify either "SLB" or "Firewall" or specify both "Firewall" and "SLB", according to the model of the IPCOM VA.  
When registering as an integrated network device with multiple types, specify multiple values for this element.
- For the ApplianceType element, specify "virtual".
- For the IP address of the admin host (the ManagementHost element), specify the admin IP address of IPCOM VX.
- For the S-TAG ID (the StagId element), specify the VLAN ID defined in the virtual machine interface definitions for IPCOM VX.  
It is not necessary to specify the S-TAG ID (StagId element) when the IPCOM VX firmware version is E10L12 or later.  
For details on virtual machine interface definitions for IPCOM VX, refer to the manuals of IPCOM VX.
- IPCOM VX Link Information

Register the connection relationship between IPCOM VA ports and IPCOM VX ports as the link information.

Specify "virtual" for the device type (the kind attribute of the Device element) of IPCOM VA.

It is not necessary to specify the logical link information between IPCOM VX and IPCOM VA when the IPCOM VX firmware version is E10L12 or later.

## Example

Link Information to be Defined when 3/1/0/11 of the C-Fabric and LAN.0 of IPCOM VX and LAN0.0 of IPCOM VX and LAN0.0 of IPCOM VA are Connected

```
<Links>
  <Link>
    <Devices>
      <Device ip="172.16.1.52" kind="netdevice" name="ipcom_vx">
        <Port>LAN0.0</Port>
      </Device>
      <Device ip="172.16.1.53" kind="virtual" name="ipcom_va">
        <Port>LAN0.0</Port>
      </Device>
    </Devices>
  </Link>
  <Link>
    <Devices>
      <Device ip="172.16.1.52" kind="netdevice" name="ipcom_vx">
        <Port>LAN0.0</Port>
      </Device>
      <Device ip="172.16.3.3" kind="netdevice" name="cfabric">
        <Port>3/1/0/11</Port>
      </Device>
    </Devices>
```

```
</Link>
</Links>
```

## Information

Necessary definitions based on the number of devices to be registered.

- When registering each network device individually

The Netdevice element must be the first.

- When registering all network devices at once

Starting with the Netconfig element, define the settings for each network device under the Netdevices element.

When registering multiple network devices at once, connection information can be also defined under the Links element.

## See

- For details on network configuration information (XML definitions), refer to "15.7 Network Configuration Information" in the "Reference Guide (Command/XML) CE".
- For details on the rcxadm netconfig command, refer to "3.7 rcxadm netconfig" in the "Reference Guide (Command/XML) CE".
- For details on releasing maintenance mode, refer to "22.1 Switchover of Maintenance Mode" in the "User's Guide for Infrastructure Administrators (Resource Management) CE".
- For details on model definitions for network devices, refer to "15.15 Network Device Model Definition" in the "Reference Guide (Command/XML) CE".

## 9.4.8.2 When Using the Network Device File Management Function

The preparation necessary to use the network device file management function is explained in this section.

## Information

When the Ethernet fabric is comprised of "Fujitsu PRIMERGY Converged Fabric Switch Blade (10 Gps 18/8+2)" and "Fujitsu Converged Fabric Switch ", the network device file management function is not used. Follow the maintenance procedure of the corresponding device. Follow the maintenance procedure of the corresponding device.

## Configuring Definitions of the Network Device File Management Function

When using the network device file management function, it is necessary to configure the functions to be used and the number of generation files in the definition file in advance.

When details on how to define the network device file management function, refer to "[9.4.8.3 When Modifying the Values of Network Device Configuration Files](#)".

## Registering External FTP Servers

When managing network device files, for network devices without an FTP server function, an external FTP server is necessary.

- Backup the network device file
- Transfer the backed up network device file to the admin server the manager is operating on
- Transfer the backed up network device file from the admin server the manager is operating on
- Restore the network device file transferred from the admin server to the target network device

Execute the `rcxadm netconfig import` command and register an external ftp server.

For details on the `rcxadm netconfig` command, refer to "3.7 rcxadm netconfig" in the "Reference Guide (Command/XML) CE".

## Point

When using a Nexus 5000 series, it is necessary to set the following settings for external ftp server in advance to enable backup and restoration of network device files.

1. Set the change root.
2. Change the root directory("/") of the account to the home directory.

## Setting the Login Information of Network Device

When registering or changing network devices, register the login information in the network configuration information (XML definition).

- For the "SR-X series"
  - LoginInfo protocol: ftp
  - User: Must be specified
  - Password: Must be specified
  - Tenant: Do not specify
- For the "BIG-IP Local Traffic Manager series"
  - LoginInfo protocol: ssh
  - LoginInfo authority: admin
  - User: Must be specified
  - Password: Must be specified
  - Tenant: Do not specify
- For the "Nexus 5000 series"
  - LoginInfo protocol: Telnet or SSH
  - LoginInfo authority: admin
  - User: Must be specified
  - Password: Must be specified
  - Tenant: Do not specify
- For other supported devices
  - LoginInfo protocol: Telnet or SSH
  - LoginInfo authority: user
  - User: Must be specified
  - Password: Must be specified
  - PrivilegedPassword: Must be specified
  - Tenant: Do not specify

## Note

This section explains points to keep in mind when using this function.

- When using an "IPCOM EX series" or an "IPCOM VA series"
  - This function creates a temporary file in the network device.  
Do not create the following files in the network device.
    - ror-running-config.cli
    - ror-startup-config.cli

Also, secure sufficient disk space to save the network device configuration file on the network device itself.
- When restoring the network device file without initializing the authentication information
 

Execute the rxadm netdevice clexport command and export the network device environment file in advance, and then configure IPCOM EX or IPCOM VA manually.  
For details on configuration, refer to the IPCOM EX or IPCOM VA manuals.
- When deleting, changing, or deleting the account information registered in this product
 

Execute the rxadm netdevice cfbbackup command and backup the network device configuration file.  
If restoration is performed without backing up, the restoration may fail due to account information inconsistency.
- When using the automatic updating function for authentication information
 

When executing the rxadm netdevice cfrestore command and restoring the network device environment file, authentication information may be initialized.

## Example

Functions that are automatically updated include the following.

- When "skey" in account authentication type is specified
  - When the authentication in SSL-VPN client or L2TP/IPsec client is performed using "local database operation"
- 
- When using a "BIG-IP Local Traffic Manager series"
    - The user specified in login information must operate the network device using tmsh immediately after login.
    - This function creates a temporary file in the network device.  
Do not create the following files in the network device.
      - /var/local/ucs/environment.ucs
      - /var/local/scf/config.scf

Also, secure sufficient disk space to save the network device file on the network device.
  - When using a "Nexus 5000 series"
    - When restoring a "Nexus 5000 series", perform the following.
      - When not connecting a "Nexus 2000 series"
        - (1) Log in to the target Nexus, and confirm the management IP address and SNMP community name.
        - (2) Clear startup-config using the write erase command.
        - (3) Restart the target Nexus.
        - (4) After restarting, log in to the target Nexus again.
        - (5) Set the management IP address and SNMP community name which were confirmed in (1).
        - (6) After log out of the target Nexus, and perform to restoration.
      - When connecting a "Nexus 2000 series"
        - (1) Log in to the target Nexus, and confirm the management IP address and SNMP community name.
        - (2) Clear startup-config using the write erase command.
        - (3) Restart the target Nexus.
        - (4) After restarting, log in to the target Nexus again.
        - (5) Set the FEX.

- (6) Set the management IP address and SNMP community name which were confirmed in (1).
- (7) After log out of the target Nexus, and perform to restoration.

- When using a "Cisco ASA 5500 series"

When using redundancy configurations and only one device is faulty, it is not necessary to execute the `rcxadm netdevice cfrestore` command.

Using the functions of the "Cisco ASA 5500 series", the configuration of the active device can be reflected automatically.

For details, refer to the "Cisco ASA 5500 series" manuals.

- When using a "Catalyst series"

This function creates a temporary file in the network device.

Do not create the following files in the network device.

- `flash:ror-running-config`

Also, secure sufficient disk space to save the network device configuration file on the network device itself.

### 9.4.8.3 When Modifying the Values of Network Device Configuration Files

The definition of the configuration management of the network device can be changed by setting the value to the following definition files beforehand.

#### Storage Location of the Definition File

[Windows Manager]

`Installation_folder\SVROR\Manager\etc\customize_data`

[Linux Manager]

`/etc/opt/FJSVrcvnr/customize_data`

#### Definition File Name

`unm_mon.rcxprop`

#### Definition File Format

Specify variables in the definition file in the following format.

*Parameter = Value*

#### Parameter

Specify variables for network device configuration file management.

| Parameter          | Meaning and Value  |
|--------------------|--|
| CONFIG_BACKUP      | Specify whether to enable the network device file backup function.<br>- true<br>Network device file backup is enabled.<br>- false<br>Network device file backup is disabled.<br>If left blank, "true" is set.              |
| CONFIG_AUTO_MASTER | Specify whether to collect a master configuration file when registering a network device as a resource.<br>- true<br>A master configuration file is collected.<br>- false<br>A master configuration file is not collected. |



|                        |   |
|------------------------|---|
|                        | If left blank, "false" is set.  |
| CONFIG_AUTO_BACKUP     | Specify whether to back up configuration files when network device auto-configuration is performed.<br><br>- true<br>Network device configuration file backup is performed.<br><br>- false<br>Network device configuration file backup is not performed.<br><br>If left blank, "false" is set.            |
| CONFIG_RETRY_COUNT     | Specify the retry count using a value between 0 and 10 for the network device connection when configuration backup is performed.<br><br>If left blank, "3" is set.  |
| CONFIG_TIMEOUT         | Specify the time out value using a value between 10 and 60 for the network device connection when configuration backup is performed.<br><br>If left blank, "30" is set.   |
| CONFIG_NOTIFY_COMM AND | Specify whether to output a notification message if a change is detected in the backed up configuration when the rxadm netdevice cfbackup command is executed (On demand collection).<br><br>- true<br>A message is output.<br><br>- false<br>No message is output.<br><br>If left blank, "false" is set. |
| CONFIG_NOTIFY_AUTO     | Specify whether to output a notification message if a change is detected in the backed up network device configuration file when network device auto-configuration is performed.<br><br>- true<br>A message is output.<br><br>- false<br>No message is output.<br><br>If left blank, "false" is set.      |



### Example

```

CONFIG_BACKUP=true
CONFIG_AUTO_MASTER=true
CONFIG_AUTO_BACKUP=true
CONFIG_RETRY_COUNT=3
CONFIG_TIMEOUT=30
CONFIG_NOTIFY_COMMAND=true
CONFIG_NOTIFY_AUTO=false

```

#### 9.4.8.4 When Using Port Profile Configuration Files

To use a port profile manually configured in an Ethernet fabric device ("Fujitsu PRIMERGY Converged Fabric Switch Blade (10 Gps 18/8+2)" or "Fujitsu Converged Fabric Switch ") using the port profile configuration function provided by Resource Orchestrator, define the following file:

### Storage Location of the Definition File

[Windows Manager]  
*Installation\_folder\SVROR\Manager\etc\customize\_data*

[Linux Manager]  
*/etc/opt/FJSVrcvmr/customize\_data*

### Definition File Name

*cfabric\_portprofile\_networkresource.rcxprop*

### Definition File Format

Specify variables in the definition file in the following format.

*Network Resource Name=Port Profile ID*

### Network Resource Name

Specify the name of the network resource which uses the port profile in the following format:

*folder\_name or tenant\_name/pool name/network resource name*

### Port Profile ID

Specify the port profile ID manually specified for the target device.

### Example

*"/TenantA/FolderA/NetworkPool/network1 "=123*

## 9.4.9 When Automatically Configuring and Operating Network Devices

This section explains how to prepare to use the function for automatically configuring and operating network devices.

### Information

Automatic configuration and operation of firewalls and server load balancers is not possible if they are not registered in a network pool.

### 9.4.9.1 When Automatically Configuring and Operating Network Devices Using User Customization Mode

The following operations are necessary to automatically configure and operate network devices using user customization mode.

- Creating Model Definitions for Network Devices
- Create network device automatic configuration and operation definition files
- Creating a Folder for Registering Rulesets
- Create rulesets for automatic configuration and operations

The virtual IP address which is set automatically in firewall rules or server load balancer rules is the virtual IP address configured for use as the IP address for the public LAN.

For details on virtual IP addresses, refer to "9.1.3.1 Information Necessary for Designing a Public LAN".

Ruleset is the generic name for scripts and required files for scripts which are prepared for the device name or model name to automatically configure and operate network devices.

This product provides samples of scripts and required files.

For details on preparation, refer to "[Appendix F Preparing for Automatic Configuration and Operation of Network Devices](#)".

For details on sample scripts and how to prepare when using sample scripts, refer to "[Appendix G Sample Script for Automatic Configuration and Operation of Network Devices](#)".

### 9.4.9.2 When Automatically Configuring and Operating Network Devices Using Simple Configuration Mode

The following operations are necessary to automatically configure and operate network devices using simple configuration mode.

- Creating interface configuration files
- Registering Server Certificates and CA Certificates

This operation is necessary when using the SSL accelerator of the server load balancer function.

- Registering Error Page Files

This operation is necessary when performing load balancing of HTTPS communication using HTTP communication or the SSL accelerator of the server load balancer function.

For details, refer to "2.2.2 Preparations for NS Appliance" in the "NS Option Instruction".

- Address set resources of global IP addresses

When managing the virtual IP addresses (public addresses) used for address translation functions of firewalls, and allocating them automatically, create the address set resources of global IP addresses.

For details, refer to "14.6 Address Set Resources" in the "User's Guide for Infrastructure Administrators (Resource Management) CE".

For details on pre-configuration, refer to "[Appendix I Auto-configuration and Operations of Network Devices Using Simple Configuration Mode](#)".

## 9.4.10 When Visualizing Networks Using NetworkViewer

This section explains the preparations necessary for visualizing a network environment managed using Resource Orchestrator, using NetworkViewer.

### 9.4.10.1 When Displaying Link Information of Network Devices Using a Physical Map

It is necessary to create the network configuration information (XML definition) and register the link information of the network devices.

For details, refer to "[9.4.8.1 When Creating Network Configuration Information \(XML Definition\)](#)".

### 9.4.10.2 When Linking Resources on the Physical Map and the Logical Map

This section explains the preparations necessary for linking physical resources on the physical map and logical resources on the logical map.

| Target Device                                 | Details of Preparation  |
|---|---|
| LAN switch blades                             | Configure the VLAN.<br>For details, refer to " <a href="#">9.4.1.1 Automatic VLAN Configuration for LAN Switch Blades (Physical/Virtual L-Servers)</a> ".           |
| L2 switch<br>Firewall<br>Server load balancer | Register as a network device.<br>For details, refer to " <a href="#">9.4.9 When Automatically Configuring and Operating Network Devices</a> ".                      |
| Ethernet Fabric (Converged Fabric)            | Register as a network device.<br>For details, refer to " <a href="#">9.4.1.9 Automatic Network Configuration for Ethernet Fabric Switches (Converged Fabric)</a> ". |
| Ethernet Fabric (VCS)                         | Register as a network device and then create rulesets for VCS monitoring.<br>For details, refer to " <a href="#">H.2.2 Linking Resources Using NetworkViewer</a> ". |

## 9.5 When Providing an IPv6 Network for Public LANs

When building an IPv6 network on a public LAN, the required network devices and settings vary depending on the desired operations.

### Note

- Resource Orchestrator does not provide IPv6 address management.

Address management should be performed by the infrastructure administrator and tenant administrator.

- Network configurations that allow IPv6 packets on a public LAN to pass through the admin LAN to reach the admin server and managed server or units are not supported.

Table 9.11 Network Devices Required for an IPv6 Network on a Public LAN

| Operation   | Required Network Device | Required Configuration   |
|---|-------------------------|--|
| Use of a static IP address to allow access from other servers.  | None                    | Configure an IPv6 address for the server OS.   |
| Connects with the other servers as a client. IP addresses are configured by the server's automatic configuration function.                                | IPv6 routers            | Set a prefix and the RA M/O flag on the IPv6 router.   |
| Use of the name published using DNS to allow access from the other servers. IP addresses are configured by the server's automatic configuration function. | IPv6 routers            | Set a prefix and the RA M/O flag on the IPv6 router.   |
|   | DHCPv6 server           | Register the DNS address on the DHCPv6 server.   |
|   | DNS server              | Configure the DNS server to enable connection with the IPv6 network.<br>Configure the IPv6 address assigned to the server and domain name to be published on the DNS server.                           |
| Use of the name published using DNS to allow access from the other servers. Static IP addresses are assigned using a DHCPv6 server.                       | IPv6 routers            | Set a prefix and the RA M/O flag on the IPv6 router.   |
|   | DHCPv6 server           | Register the DNS address on the DHCPv6 server.<br>Add an entry for the server identifier (DUID) and entries including the pair of the NIC identifier (IAID) and the IPv6 address to the DHCPv6 server. |
|   | DNS server              | Configure the DNS server to enable connection with the IPv6 network.<br>Configure the IPv6 address assigned to the server and domain name to be published on the DNS server.                           |

\* Note: When the IP address changes because of automatic IP address configuration performed by the server, the server may be temporarily inaccessible until updating processes for DNS cache, etc. complete. To avoid such a problem, use an automatic IP address configuration method that would not change IP addresses over time (such as EUI-64 or the OS specific method).

### Information

- In order to use IPv6 immediately after image deployment, perform the following on the collection target OS before collecting the image:
  - Enable IPv6
  - When there are manually configured IPv6 addresses, delete them
- In Resource Orchestrator, an IPv6 network can be used for the public LAN only when using the following L-Servers:
  - Physical L-Servers
  - Virtual L-Servers (only for VMware)

For details on required configurations for individual devices, refer to the manual of each device.

### Design of IPv6 Prefixes to be Allocated to Public LANs

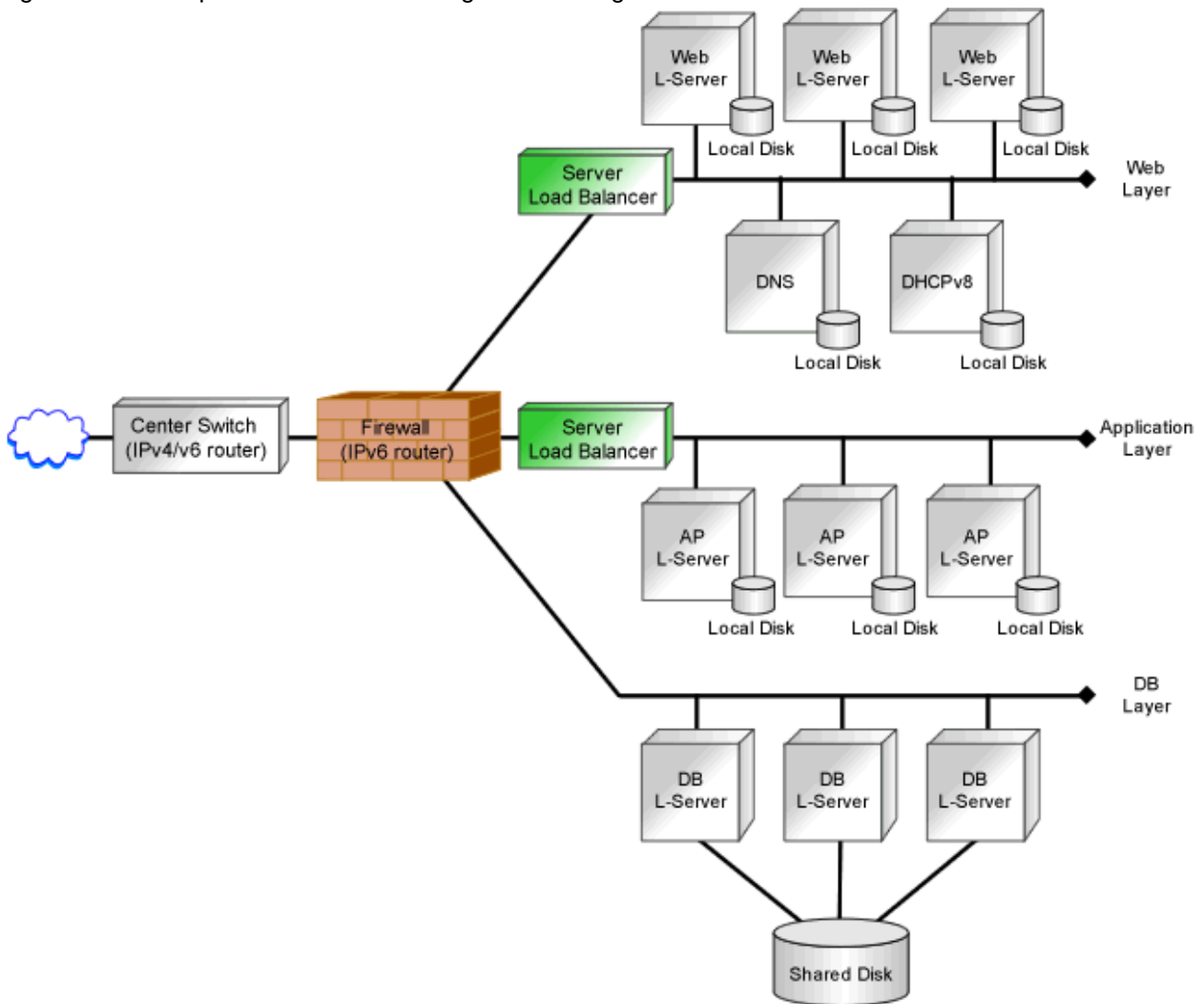
An example of designing the IPv6 address range (prefix and network ID) to be allocated to each public LAN based on the assigned GUA is given below:

Assign prefixes in the unit of /64 for each network t so that automatic server configuration can be selected.

For three-tier models, assign /62 for the prefix length of each L-Platform, as this model requires four networks (three "public LAN networks" and one "network connecting IPv4/v6 routers and firewalls").

When performing static routing, configure routing settings on the IPv6 router. For details on how to configure routing on the IPv6 router, refer to the manual for the IPv6 router being used.

Figure 9.19 Example of Public LAN Configuration Using an IPv6 Network



# Chapter 10 Deciding and Configuring the Storage Environment

This chapter explains how to define and configure the storage environment.

## 10.1 Deciding the Storage Environment

This section explains how to define the storage environment settings required for a Resource Orchestrator setup.

### 10.1.1 Allocating Storage

When preparing physical servers and virtual machines, it was difficult to smoothly provide servers as the configuration of storage units and the storage network was necessary.

Using the following functions of Resource Orchestrator, servers can be provided smoothly.

#### Allocating Storage to a Virtual L-Server

There are two ways to allocate storage to a virtual L-Server:

- Allocate disk resources (virtual disks) automatically created from virtual storage resources (datastores) [VMware] [Hyper-V] [OVM for x86] [Xen] [KVM] [Solaris Zones (Solaris 11)]
- Allocate disk resources (raw devices or partitions) that were created in advance [KVM] [Solaris Zones (Solaris 10)] [OVM for SPARC]

#### Allocate Disk Resources (Virtual Disks) Automatically Created from Virtual Storage Resources (Datastores)

1. Through coordination with VM management software, virtual storage resources (such as the file systems of VM guests) that were created in advance are automatically detected by Resource Orchestrator. From the detected virtual storage resources, virtual storage resources meeting virtual L-Server specifications are automatically selected by Resource Orchestrator.

(Virtual storage resources registered in a storage pool where the priority level is high and virtual storage resources with a high capacity are selected by priority.)

2. From the automatically selected virtual storage resources, disk resources (such as virtual disks) of the specified size are automatically created and allocated to the virtual L-Server.

[Xen]

GDS single disks can be used as virtual storage.

#### Allocate Disk Resources (Raw Devices or Partitions) that were Created in Advance [KVM] [Solaris Zones] [OVM for SPARC]

1. Create LUNs for the storage units.

LUNs are used for virtual L-Server disks. Create the same number of LUNs as that of necessary disks.

The size of each LUN must be larger than the size of each virtual L-Server disk.

2. Make the VM host (In a Solaris Zone (Solaris 10), the global zone) recognize the LUNs created in step 1 as raw devices.

When migrating VM guests (In a Solaris Zone (Solaris 10), the non-global zone) for virtual L-Servers, configure zoning and affinity to set LUNs as shared disks.

Partitions are also used for virtual L-Server disks. Create the same number of partitions as that of necessary disks. The size of each partition must be larger than the size of each virtual L-Server disk.

3. Use the `rcxadm disk` command to register the raw devices or the partitions with Resource Orchestrator as disk resources.

When migrating VM guests for virtual L-Servers, register the raw devices or the partitions shared between multiple VM hosts as disk resources defined to be shared.

It is not necessary to register disk resources used for Solaris 11 VM hosts.

4. From the registered disk resources, disk resources meeting the virtual L-Server specifications are automatically selected and allocated to the L-Server by Resource Orchestrator.

For details on storage allocation methods and server virtualization types for virtual L-Servers, refer to "[Table 2.8 Storage Allocation Methods and Storage Types and Server Virtualization Types for Virtual L-Servers](#)".

## Allocating Storage to a Physical L-Server

There are two ways to allocate storage to a physical L-Server:

- Allocate disk resources (LUNs) automatically created from virtual storage resources (RAID groups)
  1. Through coordination with storage products, Resource Orchestrator automatically detects virtual storage resources that were created in advance.
  2. From the detected virtual storage resources, Resource Orchestrator automatically selects virtual storage resources meeting physical L-Server specifications.  
(Virtual storage resources registered in a storage pool where the priority level is high and virtual storage resources with a high capacity are selected by priority.)
  3. From the automatically selected virtual storage resources, create disk resources of the specified size and allocate them to the physical L-Server.
- Allocate disk resources (LUNs) that were created in advance
  1. Through coordination with storage products, Resource Orchestrator automatically detects disk resources that were created in advance.
  2. From the detected disk resources, Resource Orchestrator automatically selects disk resources meeting physical L-Server specifications and allocates them to the L-Server.

For detail on storage allocation methods and storage types for physical L-Servers, refer to "[Table 2.7 Storage Allocation Methods and Storage Types for Physical L-Servers](#)".

## Effective Utilization of Storage Using Thin Provisioning

Thin provisioning is technology for virtualizing storage capacities.

It enables efficient utilization of storage.

The function does not require the necessary storage capacity to be secured in advance, and can secure and extend the storage capacity according to how much is actually being used.

Thin provisioning can be achieved using the following two methods:

- Method for using the thin provisioning of a storage unit

Resource Orchestrator can be coordinated with the thin provisioning of ETERNUS storage, EMC CLARiiON storage, EMC VNX storage, EMC Symmetrix DMX storage, or EMC Symmetrix VMAX storage.

With ETERNUS storage, a virtual resource pool comprised of one or more RAID groups is called a Thin Provisioning Pool (hereinafter TPP).

Also, a virtual volume that shows a volume with a greater capacity than the physical disk capacity of the server is called a Thin Provisioning Volume (hereinafter TPV).

Capacity is allocated to TPVs from TPPs.

With Resource Orchestrator, TPPs can be managed as virtual storage resources.

The virtual storage resource of a TPP is called a virtual storage resource with thin provisioning attributes set.

The virtual storage resource of a RAID group is called a virtual storage resource with thick provisioning attributes set.

With Resource Orchestrator, ESC can be used to create a TPV in advance and manage that TPV as a disk resource.

The disk resource of a TPV is called a disk with thin provisioning attributes set.

The disk resource of an LUN is called a disk with thick provisioning attributes set.

With EMC CLARiiON storage or EMC VNX storage, a Storage Pool can be composed of a physical disk.

Also, a virtual volume that shows a volume with a greater capacity than the physical disk capacity of the server is called a Thin LUN.

Capacity is allocated to Thin LUNs from the Storage Pool.

With Resource Orchestrator, Storage Pools can be managed as virtual storage resources.

In Resource Orchestrator, Thin LUNs can be managed by creating a Thin LUN in advance using Navisphere.

The disk resource of a Thin LUN is called a disk with thin provisioning attributes set.

The disk resource of a Traditional LUN or Thick LUN made for Storage Pool is called a disk with thick provisioning attributes set.

With EMC Symmetrix DMX storage or EMC Symmetrix VMAX storage, a device with thin provisioning attributes set (hereinafter Thin Device) can be made from the DISK group.

In Resource Orchestrator, Thin Devices can be managed by creating a Thin Device in advance using Solutions Enabler.

A disk resource of a Thin Device is called a disk with thin provisioning attributes set.

A disk resource other than a Thin Device is called a disk with thick provisioning attributes set.

#### - Method for using the thin provisioning of server virtualization software

Resource Orchestrator can be coordinated with the thin provisioning functions of VMware and Hyper-V.

In VMware, a virtual disk with a thin provisioning configuration is called a thin format virtual disk.

In Hyper-V, a virtual disk with a thin provisioning configuration is called a variable-capacity VHD.

With Resource Orchestrator, thin format virtual disks and variable-capacity VHDs can be managed as disk resources.

A thin format virtual disk is called a disk with thin provisioning attributes set.

A thick format disk resource is called a disk with thick provisioning attributes set.

#### - Storage resource management

With Resource Orchestrator, storage resources (virtual storage resources and disk resources) can be managed in a storage pool. Storage pools must take into account the existence of thin provisioning attributes.

The following resources can be registered in a storage pool with thin provisioning attributes set:

- Virtual storage resources with thin provisioning attributes set
- Disk resources with thin provisioning attributes set
- Disk resources with thick provisioning attributes set

The following resources can be registered in a storage pool without thin provisioning attributes set:

- Virtual storage resources with thick provisioning attributes set
- Disk resources with thick provisioning attributes set
- Disk resources with thin provisioning attributes set

[VMware] [Hyper-V]

Thin provisioning cannot be set for VMware datastores and Hyper-V CSVs. Therefore, the following settings must be specified in Resource Orchestrator.

- When creating disk resources from virtual storage resources registered in a storage pool with thin provisioning attributes set, set the thin format and allocate the disk resources to an L-Server.
- When creating disk resources from virtual storage resources registered in a storage pool without thin provisioning attributes set, set the thick format and allocate the disk resources to an L-Server.

For how to set thin provisioning attributes for a storage pool, refer to "20.2 Creating" in the "User's Guide for Infrastructure Administrators (Resource Management) CE".



## Note

[VMware] [Hyper-V]

When creating a virtual L-Server with a cloning image specified, the provisioning attribute of the cloning image takes preference over the provisioning attribute of the storage pool.

[KVM]

The only disk resources that can be created from virtual storage are thin format disk resources. Thick format disk resources cannot be created.

For details, refer to "[E.5.4 Storage Preparations \(NAS Configurations\)](#)".

[Solaris Zones (Solaris 11)]

The only disk resources that can be created from virtual storage are thin format disk resources. Thick format disk resources cannot be created.

For details, refer to "[E.6.3 Storage Preparations](#)".

## Note

When the virtual storage resource is used by the thin provisioning, the area is secured according to the capacity actually used.

Therefore, the capacity that Resource Orchestrator virtually allocated from the size of the unused space of the virtual storage resource to the virtual storage resource cannot be comprehended.

In Resource Orchestrator, to understand the total capacity virtually allocated to the storage pool, the following results are displayed in the free space of the storage pool where the thin provisioning attribute was set.

|   |
|---|
| Total capacity of virtual storage resources registered in storage pool - "Total of capacity that Resource Orchestrator virtually allocated" |
|---|

Therefore, the free space of the storage pool where the free space of virtual storage (\*) that the VM management product or the storage management product displayed and the attribute of the thin provisioning were set might not correspond.

\*Note: Datastore, storage repository, TPP, and FTRP, etc.

## Effective Utilization of Storage Using Automatic Storage Layering

Automatic Storage Layering is a feature that monitors data access frequency in mixed environments that contain different storage classes and disk types. It then automatically relocates data to the most appropriate storage devices based on set data usage policies.

Resource Orchestrator can be coordinated with Automatic Storage Layering for ETERNUS storage. For details on coordination with Automatic Storage Layering, refer to "[10.1.2 Storage Configuration](#)".

- Coordination with Automatic Storage Layering for ETERNUS Storage

In ETERNUS storage, the physical disk pool created using Automatic Storage Layering is called a Flexible Tier Pool (hereafter FTRP). The virtual volume created using Automatic Storage Layering is called a Flexible Tier Volume (hereafter FTV). FTV is allocated from FTRP.

In Resource Orchestrator, an FTRP can be managed as a virtual storage resource. The virtual storage resource for FTRP, similar to a TPP, is called a virtual storage resource for which the Thin Provisioning attribute has been configured.

In Resource Orchestrator, after creating an FTV using ESC, that FTV can be managed as a disk resource. The disk resource for FTV, similar to a TPV, is called a disk for which the Thin Provisioning attribute has been configured.

- Management of FTRP and FTV

In Resource Orchestrator, FTRP and FTV can be managed as storage resources in storage pools.

FTRP and FTV are considered the same as TPP and TPV for Thin Provisioning. For details, refer to "[Effective Utilization of Storage Using Thin Provisioning](#)".

## Note

Users are recommended to operate the storage pool used for registering FTRP and FTV separately from the storage pool used for registering TPP and TPV.

When operating the storage in the same storage pool, the storage may not be operated by taking advantage of the properties, since the virtual storage to be selected will change depending on the amount of free space when allocating disks.

## Automatic Detection of Storage Resources

When addition or modification of storage is performed using storage management software or VM management software, periodic queries are made to the storage management software or VM management software to detect changes to the configuration/status of storage. The interval between regular updates varies according to the number of storage resources.

## Information

If there are large numbers of storage resources, detecting changes in storage configurations and status may take longer than three minutes. For example, it takes six to seven minutes to detect changes in the following storage configuration:

- Storage Units: 1
- RAID Groups: 200

By right-clicking a storage resource on the ROR console orchestration tree and selecting [Update] on the displayed menu, the configuration/status of the storage management software and VM management software is refreshed without waiting for the regular update. After that, perform registration in the storage pool.

## 10.1.2 Storage Configuration

---

This section provides an overview of storage configurations.

The storage configurations supported by Resource Orchestrator are as follow:

- When Using Physical L-Servers

Refer to "[Prerequisites for Storage when Creating a Physical L-Server](#)" and "[Regarding Storage Configuration](#)" in "[D.3.1 Deciding the Storage Environment](#)".

- When Using Virtual L-Servers

[VMware]

Refer to "[Supported Storage Configurations](#)" in "[E.1.3 Storage Preparations](#)".

[Hyper-V]

Refer to "[Supported Storage Configurations](#)" in "[E.2.3 Storage Preparations](#)".

[Xen]

Refer to "[Supported Storage Configurations](#)" in "[E.3.3 Storage Preparations](#)".

[OVM for x86 2.2]

Refer to "[Supported Storage Configurations](#)" in "[E.4.3 Storage Preparations](#)".

[KVM]

Refer to "[Supported Storage Configurations](#)" in "[E.5.3 Storage Preparations \(SAN Configurations\)](#)".

[Solaris Zones]

Refer to "[Supported Storage Configurations](#)" in "[E.6.3 Storage Preparations](#)".

[OVM for SPARC]

Refer to "[Supported Storage Configurations](#)" in "[E.7.3 Storage Preparations](#)".

[Citrix Xen]

Refer to "Supported Storage Configurations" in "E.8.3 Storage Preparations".

[OVM for x86 3.x]

Refer to "Supported Storage Configurations" in "E.9.3 Storage Preparations".

### 10.1.3 HBA and Storage Device Settings

System configuration requires that the relationship between physical servers and HBA WWNs from the perspective of the server, and the relationship between storage volumes and HBA WWNs from the perspective of storage devices be defined clearly.

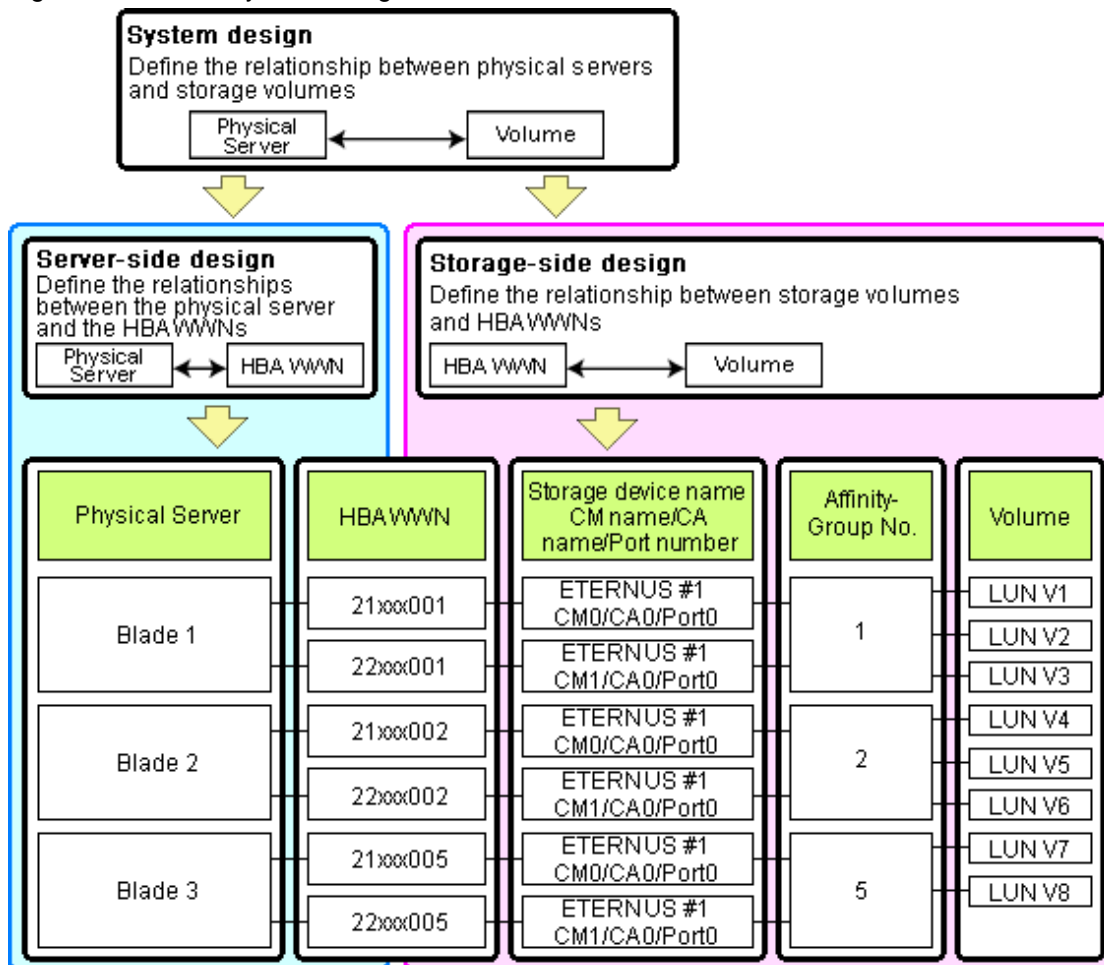
An example where blades connect to storage devices via multiple paths using two HBA ports is shown below.

Refer to the storage device manual of each storage device for details.

#### Note

- For server switchover using the HBA address rename method, only configurations with two or less HBA ports on the managed server are supported.
- For server switchover using the storage affinity switchover method, only configurations with eight or less HBA ports on the managed server are supported.

Figure 10.1 WWN System Design



## Choosing WWNs

When using HBA address rename, VIOM, or ISM, choose the WWNs to use.

After WWNs have been chosen, associate them with their corresponding operating systems (applications) and physical servers (on the server side), and with the corresponding volumes (on the storage side).

Using HBA address rename, VIOM, or ISM, the storage-side settings can be defined without prior knowledge of the actual WWN values of the HBAs of servers. This makes it possible to design a server and storage system without having the involved physical servers on hand.

When HBA address rename or ISM is used, the values provided by the "I/O virtualization option" are used as the WWN.

When VIOM is used, set either of the following for each WWN value:

- The value provided by the "I/O virtualization option"
- The value selected automatically from the address range at VIOM installation

To prevent data damage by WWN conflict, you are advised to use the value provided by "I/O virtualization option".

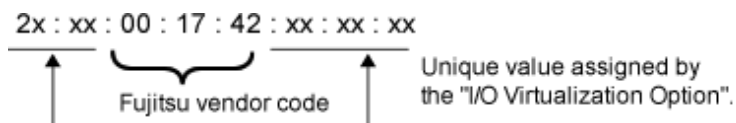
### Information

Specify the unique WWN value provided by the "I/O virtualization option". This can prevent unpredictable conflicts of WWNs.

### Note

Do not use the same WWN among combinations of HBA address rename, VIOM, and ISM. If the same WWN is used, there is a chance data will be damaged.

The WWN format used by HBA address rename, VIOM, and ISM is as follows.



The "2x" part at the start of the provided WWN can define either a WWNN or a WWP. Define and use each of them as follows.

- 20: Use as a WWNN
- 2x: Use as a WWP

With HBA address rename, x will be allocated to the I/O addresses of HBA adapters in descending order.

I/O addresses of HBA adapters can be confirmed using the HBA BIOS or other tools provided by HBA vendors.

### Note

With HBA address rename, as WWNs are allocated to the I/O addresses of HBAs in descending order, the order may not match the port order listed in the HBA.

For details, refer to "[C.2 WWN Allocation Order during HBA address rename Configuration](#)".

The WWN chosen here would be used for the system design of the servers and storage.

- Server-side Design

WWNs are used in server-side design by assigning one unique to each server.

- Storage-side Design

One or more volumes are chosen for each server, and the corresponding WWN assigned to each server in the server-side design is configured on the storage-side for those volumes.

## Defining WWN Settings for VIOM/ISM

When using VIOM or ISM, configure that software before configuring the WWN settings. In addition, storage devices should be configured in accordance with the WWN settings that were defined within VIOM or ISM.

When the value provided by the "I/O virtualization option" is used as the WWN, do not configure the address range during installation. (For VIOM)

- WWN Address Range

When creating a VIOM or ISM profile, the "2x" part at the start of the provided WWN can define either a WWNN or a WWPNN. Define and use each of them as follows:

- 20: Use as a WWNN
- 2x: Use as a WWPNN

For details on profiles, refer to the manuals of ServerView Virtual-IO Manager or ServerView Infrastructure Manager.



### Example

For a blade server with an HBA with 2 ports, allocation is performed as follows:

```
WWN value provided by "I/O Virtualization Option" : 20:00:00:17:42:51:00:00
WWNN value for ports 1 and 2 of the HBA          : 20:00:00:17:42:51:00:00
WWPN value for HBA port 1                        : 21:00:00:17:42:51:00:00
WWPN value for HBA port 2                        : 22:00:00:17:42:51:00:00
```

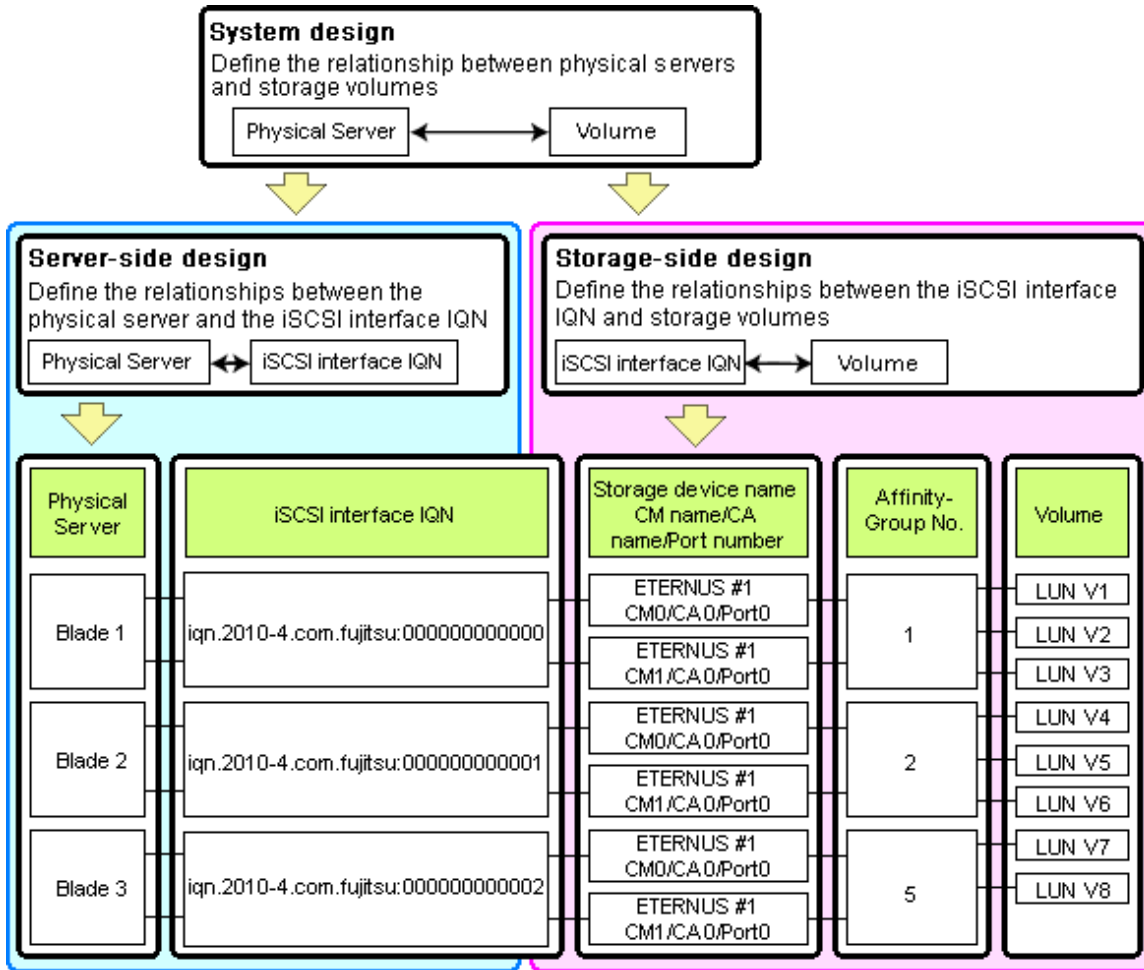
## 10.1.4 iSCSI Interface and Storage Device Settings (iSCSI)

System configuration requires that the relationship between physical servers and the IQN of the iSCSI adapter from the perspective of the server, and the relationship between storage volumes and the IQN of iSCSI from the perspective of storage devices, be defined clearly.

An example where blades connect to storage devices via multiple paths using two iSCSI interface ports is shown below.

Refer to the storage device manual of each storage device for details.

Figure 10.2 IQN System Design



### Choosing IQNs

Choose the IQNs to use with the iSCSI.

After IQNs have been chosen, associate them with their corresponding operating systems (applications) and physical servers (on the server side), and with corresponding volume(s) (on the storage side).

IQNs are made up of the following:

- Type Identifier "iqn."
- Domain Acquisition Date
- Domain Name
- Character String Assigned by Domain Acquirer

IQNs must be unique.

Create a unique IQN by using the server name, or the MAC address provided by the "I/O virtualization option" that is to be allocated to the network interface of the server, as part of the IQN.

If IQNs overlap, there is a chance that data will be damaged when accessed simultaneously.

An example of using the virtual MAC address allocated by the "I/O virtualization option" is given below.

#### Example

When the MAC address is 00:00:00:00:00:FF

IQN iqn.2010-04.com.fujitsu:0000000000ff

The IQN chosen here would be used for the system design of the servers and storage.

- Server-side Design

IQNs are used in server-side design by assigning one unique to each server.

- Storage-side Design

One or more volumes are chosen for each server, and the corresponding IQN assigned to each server in the server-side design is configured on the storage-side for those volumes.

## 10.2 Configuring the Storage Environment

---

This section describes how to configure storage devices for Resource Orchestrator.

The settings differ depending on whether the L-Server is physical or virtual.

### When Using Physical L-Servers

- Configure SAN Storage Environments

- Configure HBA address rename, VIOM coordination, or ISM coordination

Configure the HBA address rename function, VIOM coordination, or ISM coordination in advance.

- Configure the storage and fibre channel switch, install and set up storage management software

With physical L-Servers, virtual storage resources and disk resources are controlled via storage management software.

When allocating disk resources automatically created from virtual storage to physical L-Servers, create the virtual storage resources such as RAID groups or aggregates in advance.

When allocating disk resources to physical L-Servers, create the disk resources such as LUNs in advance.

- When using ETERNUS storage

Refer to "[D.3.3 When Using ETERNUS Storage](#)".

- When using NetApp FAS storage

Refer to "[D.3.4 When Using NetApp FAS Storage](#)".

- When using EMC CLARiiON storage or EMC VNX Storage

Refer to "[D.3.5 When Using EMC CLARiiON Storage or EMC VNX Storage](#)".

- When using EMC Symmetrix DMX storage or EMC Symmetrix VMAX storage

Refer to "[D.3.6 When Using EMC Symmetrix DMX Storage or EMC Symmetrix VMAX Storage](#)".

- When using Storage Server on which FalconStor NSS operates

Refer to "[D.3.7 When Using Storage Server on which FalconStor NSS Operates](#)".

- Configure iSCSI Storage Environments

- Configure the storage and fibre channel switch, install and set up storage management software

When using iSCSI boot on physical L-Servers, create LUNs that can be connected to L-Servers in advance.

- When using ETERNUS storage

Refer to "[D.3.3 When Using ETERNUS Storage](#)".

- When using NetApp FAS storage

Refer to "[D.3.4 When Using NetApp FAS Storage](#)".

## When Using Virtual L-Servers

- Configure the storage and fibre channel switch, install and set up VM management software

Virtual L-Servers are controlled via VM management software.

Create the virtual storage resources such as datastores and the disk resources such as raw devices in advance.

- When Using VMware

Refer to "[Preparations for Storage Environments](#)" in "[E.1.3 Storage Preparations](#)".

- When Using Hyper-V

Refer to "[Preparations for Storage Environments](#)" in "[E.2.3 Storage Preparations](#)".

- When Using RHEL5-Xen

Refer to "[Preparations for Storage Environments](#)" in "[E.3.3 Storage Preparations](#)".

- When Using OVM for x86 2.2

Refer to "[Preparations for Storage Environments](#)" in "[E.4.3 Storage Preparations](#)".

- When Using RHEL-KVM

Refer to "[Preparations for Storage Environments](#)" in "[E.5.3 Storage Preparations \(SAN Configurations\)](#)".

- When Using Solaris Zones

Refer to "[Preparations for Storage Environments \[Solaris Zones \(Solaris 10\)\]](#)" and "[Preparations for Storage Environments \[Solaris Zones \(Solaris 11\)\]](#)" in "[E.6.3 Storage Preparations](#)".

- When Using OVM for SPARC

Refer to "[Preparations for Storage Environments](#)" in "[E.7.3 Storage Preparations](#)".

- When Using Citrix XenServer

Refer to "[E.8.3 Storage Preparations](#)".

- When Using OVM for x86 3.x

Refer to "[E.9.3 Storage Preparations](#)".



# Chapter 11 Deciding and Configuring Server Virtualization Software

This chapter explains how to decide and configure server virtualization software.

## 11.1 Deciding Server Virtualization Software

This section explains how to decide the settings for server virtualization software.

### Select the Server Virtualization Software to Use

Select the server virtualization software.

Resource Orchestrator can perform resource management using the server virtualization software indicated below.

- VMware
- Hyper-V
- Citrix XenServer
- RHEL5-Xen
- RHEL-KVM
- Solaris Zones
- OVM for SPARC
- OVM for x86 2.2
- OVM for x86 3.x

### Available Functions by Server Virtualization Software

The functions that can be used differ depending on the server virtualization software.

When using server virtualization software, refer to "[Appendix E Preparations for Creating a Virtual L-Server](#)".



#### Note

When registering managed servers to the manager, the password for the administrator privilege user of the managed server is required. Configure the password for the administrator account of managed server in advance.

### Functional Differences Depending on Server Virtualization Software

The functions that can be used differ depending on the server virtualization software.

The required software also differs depending on the server virtualization software used. For details, refer to "6.1.2.4 Required Software" in the "Overview".

Table 11.1 Functions Related to VM Hosts

| Function   | Server Virtualization Products |           |                  |           |     |                    |               |                 |                 |
|--|--------------------------------|-----------|------------------|-----------|-----|--------------------|---------------|-----------------|-----------------|
|  | VMware                         | Hyper-V   | Xen              |           | KVM | Solaris Zones (*1) | OVM for SPARC | OVM for x86 2.2 | OVM for x86 3.x |
|  |                                |           | Citrix XenServer | RHEL5-Xen |     |                    |               |                 |                 |
| Monitoring   | Yes                            | Yes (*2)  | Yes              | Yes       | Yes | Yes                | Yes (*3)      | No              | Yes             |
| Power control  | Yes                            | Yes       | Yes              | Yes       | Yes | Yes                | Yes           | No              | Yes             |
| Server switchover, failback, takeover (based on backup and restore)  | Yes (*4, *5)                   | Yes (*6)  | Yes (*7)         | Yes       | Yes | No                 | No            | No              | No              |
| Server switchover, failback, and continuity (based on HBA address rename)  | Yes                            | Yes (*6)  | Yes (*7)         | Yes       | Yes | No                 | No            | No              | No              |
| Server switchover, failback, and continuity (using the VIOM server profile switchover method or the ISM profile switchover method) | Yes                            | Yes (*6)  | Yes              | Yes       | Yes | No                 | No            | No              | No              |
| Server switchover, failback, and takeover (based on storage affinity methods)  | No                             | No        | No               | No        | No  | Yes (*8)           | Yes           | No              | No              |
| Sharing of spare servers between physical OSs and VM guests (based on I/O virtualization) (*9)                                     | Yes                            | Yes       | Yes (*10)        | Yes       | Yes | No                 | No            | No              | Yes             |
| Backup and restore   | Yes (*4, *5)                   | Yes       | Yes              | Yes       | Yes | No                 | No            | No              | No              |
| Cloning  | No                             | No        | No               | No        | No  | No                 | No            | No              | No              |
| VM maintenance mode settings (*11)   | Yes                            | Yes (*12) | Yes (*10)        | No        | No  | No                 | No            | No              | Yes             |
| Launch of the VM management console  | Yes (*13)                      | Yes       | Yes              | No        | No  | No                 | No            | No              | No              |
| VM Home Position   | Yes (*12, *14)                 | Yes (*12) | Yes              | Yes       | Yes | No                 | No            | No              | Yes             |
| NetworkViewer  | Yes (*15)                      | Yes       | No               | No        | No  | No                 | No            | No              | No              |

\*1: When registering the guest domain of OVM for SPARC as a VM host, Solaris Zones configured on the guest domain can be managed as VM hosts.

\*2: Must be set to allow remote management. For details, refer to "11.2.1 Configuration Requirements".

\*3: When a Solaris Zone is configured on a guest domain, a non-global zone operating on the configured Solaris Zone cannot be monitored. The guest domain is displayed as a VM guest.

\*4: Not supported for VMware vSphere 4 or later.

\*5: Not supported for VMware ESXi.

\*6: Do not share the networks of VM hosts and VM guests. For details, refer to "11.2.1 Configuration Requirements".

\*7: Only Citrix XenServer 5.5 is supported.

\*8: Server switchover cannot be performed for the guest domain of OVM for SPARC registered as a VM host on Solaris Zones, since the operations are for the VM host on the physical server.

\*9: Spare servers can only be shared between physical OSs and VM guests when using the I/O virtualization switchover method.

\*10: Not available for the pool master when using Citrix XenServer.

\*11: Only available from the command-line.

\*12: VM management software (such as System Center Virtual Machine Manager) must be registered.

\*13: Not supported for VMware vSphere 6.5 or later.

\*14: A VM guest migrated to somewhere other than the cluster configured in the VM management software cannot be returned to the original status using VM Home Position.

\*15: The network links are only displayed when using the standard switches. When using switches other than the standard switches, such as distributed virtual switches, the network links are not displayed.

Table 11.2 Functions Related to VM Guests

| Function                            | Server Virtualization Products |              |                  |              |          |                    |               |                 |                 |
|-------------------------------------|--------------------------------|--------------|------------------|--------------|----------|--------------------|---------------|-----------------|-----------------|
|                                     | VMware                         | Hyper-V      | Xen              |              | KVM      | Solaris Zones (*1) | OVM for SPARC | OVM for x86 2.2 | OVM for x86 3.x |
|                                     |                                |              | Citrix XenServer | RHEL5-Xen    |          |                    |               |                 |                 |
| Monitoring (*2)                     | Yes (*3)                       | Yes          | Yes (*3)         | Yes (*3, *4) | Yes (*3) | Yes                | Yes           | No              | Yes             |
| Power control (*3)                  | Yes                            | Yes          | Yes (*5)         | Yes (*5)     | Yes (*5) | Yes                | Yes           | No              | Yes             |
| Migration between physical servers  | Yes (*6, *7)                   | Yes (*6, *7) | Yes (*7)         | Yes (*7)     | Yes (*7) | No                 | No            | No              | Yes (*7)        |
| Launch of the VM management console | Yes (*8)                       | Yes          | Yes              | Yes (*9)     | No       | No                 | No            | No              | No              |

\*1: When registering the guest domain of OVM for SPARC as a VM host, Solaris Zones configured on the guest domain can be managed. A non-global zone operating in Solaris Zones can be managed as a VM guest.

\*2: VM guests are automatically detected after VM host registration. The result of further VM guest creation, modification, removal, or migration is also automatically reflected in Resource Orchestrator.

\*3: Depending on the virtualization software used, this function may require specific settings. For details, refer to "[11.2.1 Configuration Requirements](#)".

\*4: When using Red Hat Enterprise Linux 5 Linux Virtualization (Xen-based), powered off VM guests cannot be registered. To register VM guests, they must be powered on first.

\*5: An error may happen when using the high-availability function of server virtualization software. For details, refer to "[11.2.2 Functional Differences between Products](#)".

\*6: VM management software (such as VMware vCenter Server, System Center Virtual Machine Manager) must be registered.

\*7: When migrating VM guests between different storage, perform the migration using VM management software.

\*8: Not supported for VMware vSphere 6.5 or later.

\*9: Not supported with Red Hat Enterprise Linux 5 Linux Virtualization (Xen-based).

The following shows the list of the contents displayed in [Resource Details] when using the server virtualization software as a managed server.

Table 11.3 General Area

| Content Displayed           | Server Virtualization Products |         |                  |           |     |               |               |                 |                 |
|-----------------------------|--------------------------------|---------|------------------|-----------|-----|---------------|---------------|-----------------|-----------------|
|                             | VMware                         | Hyper-V | Xen              |           | KVM | Solaris Zones | OVM for SPARC | OVM for x86 2.2 | OVM for x86 3.x |
|                             |                                |         | Citrix XenServer | RHEL5-Xen |     |               |               |                 |                 |
| Server name                 | Yes                            | Yes     | Yes              | Yes       | Yes | Yes           | Yes           | No              | Yes             |
| Admin LAN (IP address) (*1) | Yes                            | Yes     | Yes              | Yes       | Yes | Yes           | Yes           | No              | Yes             |

| Content Displayed         | Server Virtualization Products |         |                  |           |     |               |               |                 |                 |
|---------------------------|--------------------------------|---------|------------------|-----------|-----|---------------|---------------|-----------------|-----------------|
|                           | VMware                         | Hyper-V | Xen              |           | KVM | Solaris Zones | OVM for SPARC | OVM for x86 2.2 | OVM for x86 3.x |
|                           |                                |         | Citrix XenServer | RHEL5-Xen |     |               |               |                 |                 |
| Status                    | Yes                            | Yes     | Yes              | Yes       | Yes | Yes           | Yes           | No              | Yes             |
| Type                      | Yes                            | Yes     | Yes              | Yes       | Yes | Yes           | Yes           | No              | Yes             |
| OS                        | Yes                            | Yes     | Yes              | Yes (*2)  | Yes | Yes           | Yes           | No              | Yes             |
| Physical server name (*1) | Yes                            | Yes     | Yes              | Yes       | Yes | Yes           | Yes           | No              | Yes             |

\*1: Not displayed for VM guests.

\*2: Not supported with Red Hat Enterprise Linux 5 Linux Virtualization (Xen-based).

Table 11.4 VM Host Information Area

| Content Displayed      | Server Virtualization Products |         |                  |           |     |                    |               |                 |                 |
|------------------------|--------------------------------|---------|------------------|-----------|-----|--------------------|---------------|-----------------|-----------------|
|                        | VMware                         | Hyper-V | Xen              |           | KVM | Solaris Zones (*1) | OVM for SPARC | OVM for x86 2.2 | OVM for x86 3.x |
|                        |                                |         | Citrix XenServer | RHEL5-Xen |     |                    |               |                 |                 |
| VM type                | Yes                            | Yes     | Yes              | Yes       | Yes | Yes                | Yes           | No              | Yes             |
| VM software name       | Yes                            | Yes     | Yes              | Yes       | Yes | Yes                | Yes           | No              | Yes             |
| VM software VL         | Yes                            | Yes     | Yes              | Yes       | Yes | Yes                | Yes           | No              | Yes             |
| Number of VM guests    | Yes                            | Yes     | Yes              | Yes       | Yes | Yes                | Yes           | No              | Yes             |
| VM management software | Yes                            | No      | No               | No        | No  | No                 | No            | No              | No              |
| VM guests              | Yes                            | Yes     | Yes              | Yes       | Yes | Yes                | Yes           | No              | Yes             |

\*1: When registering the guest domain of OVM for SPARC as a VM host, Solaris Zones configured on the guest domain can be managed as VM hosts. The contents of Solaris Zones are displayed in the VM host information.

Table 11.5 VM Guest Information Area

| Content Displayed      | Server Virtualization Products |         |                  |           |     |                    |               |                 |                 |
|------------------------|--------------------------------|---------|------------------|-----------|-----|--------------------|---------------|-----------------|-----------------|
|                        | VMware                         | Hyper-V | Xen              |           | KVM | Solaris Zones (*1) | OVM for SPARC | OVM for x86 2.2 | OVM for x86 3.x |
|                        |                                |         | Citrix XenServer | RHEL5-Xen |     |                    |               |                 |                 |
| VM type                | Yes                            | Yes     | Yes              | Yes       | Yes | Yes                | Yes           | No              | Yes             |
| VM host name           | Yes                            | Yes     | No               | No        | No  | Yes                | Yes           | No              | No              |
| VM name                | Yes                            | Yes     | Yes              | Yes       | Yes | Yes                | Yes           | No              | Yes             |
| VM management software | Yes                            | No      | No               | No        | No  | No                 | No            | No              | No              |

\*1: When registering the guest domain of OVM for SPARC as a VM host, Solaris Zones configured on the guest domain can be managed. The contents of the non-global zone that is operating in Solaris Zones are displayed in the VM guest information.

Table 11.6 Functional Differences Depending on Server Virtualization Software

| Function   |  | Server Virtualization Products |                 |                          |            |          |               |              |               |                         |                 |
|--|--|--------------------------------|-----------------|--------------------------|------------|----------|---------------|--------------|---------------|-------------------------|-----------------|
|  |  | VMware<br>(*1)                 | Hyper-V<br>(*2) | Xen                      |            | RHEL-KVM | Solaris Zones |              | OVM for SPARC | OVM for x86 2.2<br>(*4) | OVM for x86 3.x |
|  |  |                                |                 | Citrix XenServer<br>(*3) | RHEL5 -Xen |          | Solaris 10    | Solaris 11   |               |                         |                 |
| Virtual L-Server creation  |  | Yes                            | Yes             | Yes (*5, *6)             | Yes        | Yes      | Yes (*7)      | Yes (*8, *9) | Yes (*7)      | Yes                     | Yes (*5, *6)    |
| Guest OS Customization (*10)                                       | Windows  | Yes                            | Yes             | Yes (*11)                | No         | Yes      | No            | No           | No            | No                      | Yes (*11)       |
|  | Linux  | Yes                            | No              | No                       | Yes        | Yes      | No            | No           | No            | No                      | Yes (*11)       |
|  | Solaris  | No                             | No              | No                       | No         | No       | Yes           | Yes          | Yes           | No                      | No              |
| Linking and unlinking of configured virtual machines and L-Servers |  | Yes                            | Yes             | Yes                      | No         | No       | Yes           | Yes          | Yes           | No                      | Yes             |
| Importing to L-Platforms (*12)                                     |  | Yes                            | Yes             | Yes                      | No         | Yes      | Yes           | Yes          | Yes           | No                      | Yes             |
| Modification   | Modification of specifications and basic information   | Yes                            | Yes             | Yes (*13)                | Yes        | Yes      | Yes (*7)      | Yes (*8, *9) | Yes (*7)      | Yes                     | Yes             |
|  | Attaching and detaching of disks   | Yes                            | Yes             | Yes (*6, *13)            | Yes        | Yes      | No            | Yes (*14)    | Yes (*7)      | Yes                     | Yes (*6)        |
|  | Expansion of disk space  | Yes                            | Yes             | No                       | No         | No       | No            | No           | No            | No                      | No              |
|  | Sharing disks between L-Servers  | No                             | No              | No                       | Yes (*15)  | No       | No            | No           | No            | No                      | No              |
|  | Modifying network resource settings (*16)  | Yes                            | Yes             | Yes                      | Yes        | Yes      | Yes           | Yes          | Yes           | Yes                     | Yes             |
|  | Addition and deletion of NICs (When the status of an L-Server is "defined")                  | Yes                            | Yes             | No                       | No         | No       | Yes           | Yes          | Yes           | Yes                     | Yes             |
|  | Addition and deletion of NICs (When the status of an L-Server is "allocated" or "preserved") | Yes                            | Yes             | Yes (*17)                | No         | Yes      | Yes (*17)     | Yes (*17)    | Yes (*17)     | Yes (*17)               | Yes (*17)       |
| Use of the L-Server console  |  | Yes                            | Yes             | No                       | No         | No       | No            | No           | No            | No                      | No              |
| Deletion of L-Servers  |  | Yes                            | Yes             | Yes                      | Yes        | Yes      | Yes (*7)      | Yes (*8, *9) | Yes (*7)      | Yes                     | Yes             |

| Function   |  | Server Virtualization Products |                 |                          |            |           |                |            |               |                         |                 |
|--|--|--------------------------------|-----------------|--------------------------|------------|-----------|----------------|------------|---------------|-------------------------|-----------------|
|  |  | VMware<br>(*1)                 | Hyper-V<br>(*2) | Xen                      |            | RHEL-KVM  | Solaris Zones  |            | OVM for SPARC | OVM for x86 2.2<br>(*4) | OVM for x86 3.x |
|  |  |                                |                 | Citrix XenServer<br>(*3) | RHEL5 -Xen |           | Solaris 10     | Solaris 11 |               |                         |                 |
| Virtual L-Server cloning image                         | Collection, registration, and deletion | Yes                            | Yes             | Yes                      | Yes        | Yes       | Yes (*18)      | Yes (*18)  | Yes (*18)     | Yes                     | Yes             |
|  | Display and unregistration             | Yes                            | Yes             | Yes                      | Yes        | Yes       | Yes            | Yes        | Yes           | Yes                     | Yes             |
| Snapshot   | Collection, deletion, and restoration  | Yes                            | Yes             | Yes (*13)                | No         | Yes (*19) | No             | No         | No            | No                      | No              |
| Moving an L-Server between VM hosts (migration)        |  | Yes                            | Yes             | Yes                      | Yes        | Yes       | Yes (*7, *20)  | No         | Yes (*7)      | Yes                     | Yes             |
| Allocation and release of resources to L-Servers (*21) |  | Yes                            | Yes             | Yes                      | Yes        | Yes       | Yes            | Yes        | Yes           | Yes                     | Yes             |
| Server switchover                                      |  | Yes (*22)                      | Yes (*22)       | Yes                      | No         | Yes       | Yes (*23, *24) | Yes (*23)  | No            | No                      | No              |
| Dashboard  | Pool Conditions                        | Yes                            | Yes             | Yes                      | Yes        | Yes       | Yes            | Yes        | Yes           | Yes                     | Yes             |
|  | System Conditions                      | Yes                            | Yes             | No                       | Yes        | Yes       | Yes            | Yes        | Yes           | No                      | Yes             |
|  | Capacity Planning                      | Yes                            | Yes             | Yes                      | Yes        | Yes       | Yes            | Yes        | Yes           | Yes                     | Yes             |

Yes: Supported

Yes (\*): Possible when server management software has been registered.

No: Not supported

\*1: VMware vCenter Server is necessary to manage VM guests and VM hosts.

\*2: The following software is necessary to manage VM guests and VM hosts.

- SCVMM
- Windows PowerShell

\*3: XenServer 6.0 or later is supported.

\*4: Oracle VM Manager is necessary to manage VM guests and VM hosts.

\*5: Only creation of L-Servers with images specified is supported.

\*6: RDM disks cannot be specified.

\*7: BMC BladeLogic Server Automation or BMC BladeLogic Server Automation Console is necessary.

\*8: When the VM host version is Solaris 11 11/11, operation and modification is not possible.

\*9: Supports only configurations with a VM host configured on a guest domain on OVM for SPARC.

\*10: Details of the guest OS types that can be customized differ depending on VM products.

\*11: Guest OS customization is only supported when the manager is running on Windows.

\*12: For the conditions regarding import of L-Platforms, refer to "7.2.3.2 Importing L-Servers" in the "Operation Guide CE".

\*13: Operation while an L-Server is powered on is not supported.

\*14: Only attaching of disks is supported.

\*15: For the prerequisites for sharing disks, refer to "17.2.4 Sharing Disks Between L-Servers" in the "User's Guide for Infrastructure Administrators (Resource Management) CE".

\*16: IP addresses and network resources of virtual L-Servers can only be changed when the server's status is "defined".

- \*17: NICs cannot be added or deleted. Only NIC definitions can be added or deleted.
- \*18: Only the registration function is available.
- \*19: Only supported in NAS environments.
- \*20: This function is in an exclusive relationship with server switchover.
- \*21: The values in the definition files used when a configured virtual machine and an L-Server were linked will be imported to the L-Server.
- \*22: When using the VIOM server profile switchover method, ServerView Virtual-IO Manager is necessary. When using the ISM profile switchover method, ServerView Infrastructure Manager is necessary.
- \*23: When using the storage affinity switchover method, ETERNUS SF Storage Cruiser is necessary.
- \*24: This function is in an exclusive relationship with moving an L-Server between VM hosts (migration).

## Guest OS Customization

When creating a virtual L-Server by specifying the OS image, the specified values can be configured in the OS property. The items for customization of the guest OS are shown as below.

Table 11.7 Guest OS Customization

| Item                                   | VMware  |       | Hyper-V | Xen              |          | RHEL-KVM |       | Solaris Zones |            | OVM for SPARC | OVM for x86 3.x |       |
|--|---------|-------|---------|------------------|----------|----------|-------|---------------|------------|---------------|-----------------|-------|
|  |         |       |         | Citrix XenServer | RHEL-Xen |          |       | Solaris 10    | Solaris 11 |               |                 |       |
|  | Windows | Linux | Windows | Windows          | Linux    | Windows  | Linux | Solaris       | Solaris    | Solaris       | Windows         | Linux |
| Host name and computer name (*1)       | Yes     | Yes   | Yes     | Yes              | Yes      | Yes      | Yes   | Yes           | Yes        | Yes           | Yes             | Yes   |
| Domain name (*1)                       | Yes     | Yes   | Yes     | Yes              | No       | Yes      | Yes   | No            | No         | No            | Yes             | Yes   |
| DNS search path (*1)                   | No      | Yes   | No      | No               | No       | No       | Yes   | No            | No         | No            | No              | Yes   |
| Full name (*1)                         | Yes     | No    | Yes     | No               | No       | Yes      | No    | No            | No         | No            | No              | No    |
| Organization name (*1)                 | Yes     | No    | Yes     | No               | No       | Yes      | No    | No            | No         | No            | No              | No    |
| Product key (*1)                       | Yes     | No    | Yes     | Yes              | No       | Yes      | No    | No            | No         | No            | Yes             | No    |
| License mode (*1)                      | Yes     | No    | No      | No               | No       | No       | No    | No            | No         | No            | No              | No    |
| Maximum number of connections (*1)     | Yes     | No    | No      | No               | No       | No       | No    | No            | No         | No            | No              | No    |
| Administrator user name (*1)           | Yes     | No    | No      | No               | No       | Yes      | No    | No            | Yes        | No            | No              | No    |
| Administrator password (*1)            | Yes     | No    | Yes     | Yes              | No       | Yes      | No    | Yes           | Yes        | Yes           | Yes             | No    |
| Root role password                     | Yes     | No    | No      | No               | No       | No       | No    | No            | Yes        | No            | No              | No    |
| Hardware time settings (*1)            | No      | Yes   | No      | No               | No       | No       | No    | No            | No         | No            | No              | No    |
| Time zone (*1)                         | Yes     | Yes   | Yes     | Yes              | No       | Yes      | Yes   | No            | Yes        | No            | Yes             | Yes   |
| System locale (*1)                     | No      | No    | No      | No               | No       | No       | No    | No            | Yes        | No            | No              | No    |
| IP address (*2)                        | Yes     | Yes   | Yes     | Yes              | Yes      | Yes      | Yes   | Yes           | Yes        | Yes           | Yes             | Yes   |
| Default gateway (*2)                   | Yes     | Yes   | Yes     | Yes              | Yes      | Yes      | Yes   | Yes           | Yes        | Yes           | Yes             | Yes   |
| Subnet mask (*2)                       | Yes     | Yes   | Yes     | Yes              | Yes      | Yes      | Yes   | Yes           | Yes        | Yes           | Yes             | Yes   |
| DNS server (*1)                        | Yes     | No    | Yes     | Yes              | No       | Yes      | Yes   | No            | No         | No            | Yes             | Yes   |
| Participation in Active Directory (*1) | Yes     | No    | No      | Yes              | No       | No       | No    | No            | No         | No            | No              | No    |

\*1: For details, refer to the relevant sections explaining the server virtualization software in "Chapter 8 Configuration when Creating Virtual L-Servers" in the "Setup Guide CE".

\*2: Configure the values automatically allocated from the selected network resources.

## Resource Orchestrator Functions Enabled with the Functions of Each Server Virtualization Software

The Resource Orchestrator functions enabled by using the functions of each server virtualization software are indicated below.

Table 11.8 List of Resource Orchestrator Functions Enabled by Using Each Server Virtualization Function

| Resource Orchestrator Function | VMware Function           | Hypervisor Function    | Citrix XenServer Functions | RHEL5-Xen Function | RHEL-KVM Function | Solaris Zone Function   | OVM for SPARC Function    | OVM for x86 2.2 Functions | OVM for x86 3.x Functions | Reference  |  |
|--------------------------------|---------------------------|------------------------|----------------------------|--------------------|-------------------|---|---------------------------|---------------------------|---------------------------|--|--|
| L-Server power operations      | VM guest power operations |                        |                            |                    |                   |   |                           |                           |                           | Refer to "17.1 Power Operations" in the "User's Guide for Infrastructure Administrators (Resource Management) CE".                                       |  |
| Guest OS Customization         | Windows                   | Guest OS Customization | Guest OS Customization     | Yes                | -                 | Yes   | -                         | -                         | -                         | Yes  | Refer to "16.3.5 [OS] Tab" in the "User's Guide for Infrastructure Administrators (Resource Management) CE". |
|                                | Linux                     | Guest OS Customization | -                          | -                  | Yes               | Yes   | -                         | -                         | -                         | Yes  |  |
|                                | Solaris                   | -                      | -                          | -                  | -                 | -   | Yes                       | Yes                       | -                         | -  |  |
| L-Server cloning image         | Template                  |                        | Template                   | Yes                | Yes               | BladeLogic Virtual Guest Package (Solaris 10)/ Yes (Solaris 11) | BladeLogic System Package | Template                  | Template                  | Refer to the setup section for the server virtualization software to use in " <a href="#">Appendix E Preparations for Creating a Virtual L-Server</a> ". |  |
| L-Server snapshots             | Snapshot                  | Checkpoints            | Snapshot                   | -                  | Snapshot          | -   | -                         | -                         | -                         | Refer to "17.6 Snapshots, and Backup and Restoration of L-Servers" in the "User's Guide for Infrastructure Administrators (Resource Management) CE".     |  |
| VM host VM maintenance mode    | Maintenance mode          |                        | Maintenance mode           | -                  | -                 | -   | -                         | Maintenance mode          | Maintenance mode          | Refer to "15.2 VM Maintenance Mode of VM Hosts" in the "User's Guide VE".  |  |



| Resource Orchestrator Function                  | VMware Function              | Hyper-V Function                              | Citrix XenServer Functions | RHEL5-Xen Function | RHEL-KVM Function | Solaris Zone Function | OVM for SPARC Function | OVM for x86 2.2 Functions | OVM for x86 3.x Functions | Reference  |
|---|------------------------------|---|----------------------------|--------------------|-------------------|-----------------------|------------------------|---------------------------|---------------------------|--|
| Moving an L-Server between VM hosts (migration) | Migration                    | Migration using clusters                      | Migration                  | Migration          | Migration         | Yes                   | Migration              | Migration                 | Migration                 | Refer to "17.7 Migration between VM Hosts" in the "User's Guide for Infrastructure Administrators (Resource Management) CE".   |
| Overcommit (CPU)                                | Reservation / Limit / Shares | Reservation / Limit / Virtual Quantity of VMs | Yes                        | -                  | Yes               | Yes                   | Yes                    | -                         | Yes                       | <p>[VMware]<br/>Refer to "8.2.11 Overcommit" in the "Setup Guide CE".</p> <p>[Hyper-V]<br/>Refer to "8.3.11 Overcommit" in the "Setup Guide CE".</p> <p>[KVM]<br/>Refer to "8.6.10 Overcommit" in the "Setup Guide CE".</p> <p>[Solaris Zones]<br/>Refer to "8.7.11 Overcommit" in the "Setup Guide CE".</p> <p>[OVM for SPARC]<br/>Refer to "8.8.9 Overcommit" in the "Setup Guide CE".</p> <p>[Citrix Xen]<br/>Refer to "8.9.11 Overcommit" in the "Setup Guide CE".</p> <p>[OVM for x86 3.x]<br/>Refer to "8.10.11 Overcommit" in the "Setup Guide CE".</p> |
| Overcommit (memory)                             | Reservation / Limit / Shares | Dynamic Memory                                | Yes                        | -                  | Yes               | Yes                   | Yes                    | -                         | Yes                       | <p>[VMware]<br/>Refer to "8.2.11 Overcommit" in the "Setup Guide CE".</p> <p>[Hyper-V]<br/>Refer to "8.3.11 Overcommit" in the "Setup Guide CE".</p> <p>[KVM]<br/>Refer to "8.6.10 Overcommit" in the "Setup Guide CE".</p> <p>[Solaris Zones]<br/>Refer to "8.7.11 Overcommit" in the "Setup Guide CE".</p> <p>[OVM for SPARC]<br/>Refer to "8.8.9 Overcommit" in the "Setup Guide CE".</p>   |

| Resource Orchestrator Function | VMware Function                                     | Hypervisor Function                 | Citrix XenServer Functions                       | RHEL5-Xen Function | RHEL-KVM Function                | Solaris Zone Function             | OVM for SPARC Function | OVM for x86 2.2 Functions                        | OVM for x86 3.x Functions                        | Reference  |
|--------------------------------|---|-------------------------------------|--|--------------------|----------------------------------|-----------------------------------|------------------------|--|--|--|
|                                |   |                                     |  |                    |                                  |                                   |                        |  |  | [Citrix Xen]<br>Refer to "8.9.11 Overcommit" in the "Setup Guide CE".<br><br>[OVM for x86 3.x]<br>Refer to "8.10.11 Overcommit" in the "Setup Guide CE". |
| Server Redundancy              | Located on a cluster for which VMware HA is enabled | Located on the MS FC                | Located on a server pool for which HA is enabled | -                  | -                                | Yes                               | Yes                    | Located on a server pool for which HA is enabled | Located on a server pool for which HA is enabled | Refer to "16.3.2 [Server] Tab" in the "User's Guide for Infrastructure Administrators (Resource Management) CE".   |
| Alive Monitoring               | VMware HA Cluster VM and Application Monitoring     | MS FC Heartbeat                     | -  | -                  | -                                | -                                 | -                      | -  | -  | Refer to "16.3.2 [Server] Tab" in the "User's Guide for Infrastructure Administrators (Resource Management) CE".   |
| Thin Provisioning              | Thin Provisioning                                   | Variable capacity virtual hard disk | - (*1)   | -                  | Allocation of qcow2 sparse files | - (Solaris 10) / zfs (Solaris 11) | -                      | -  | Sparse allocation                                | Refer to " <a href="#">10.1.1 Allocating Storage</a> ".  |
| L-Server Console               | Virtual Machine                                     | Virtual Machine                     | -  | -                  | -                                | -                                 | -                      | -  | -  | For details, refer to "17.3 Using the L-Server Console" in the "User's Guide for   |

| Resource Orchestrator Function | VMware Function   | Hypervisor Function                       | Citrix XenServer Functions | RHEL5-Xen Function | RHEL-KVM Function | Solaris Zone Function | OVM for SPARC Function | OVM for x86 2.2 Functions | OVM for x86 3.x Functions | Reference  |
|--------------------------------|---|---|----------------------------|--------------------|-------------------|-----------------------|------------------------|---------------------------|---------------------------|--|
|                                | Console in the vSphere Web Client/VMware Remote Console Plug-in | Console in the SCVM Administrator Console |                            |                    |                   |                       |                        |                           |                           | Infrastructure Administrators (Resource Management) CE". |

Function name: Function name used in Resource Orchestrator

Yes: Function provided without using server virtualization software function

-: Function not provided in Resource Orchestrator

\*1: The settings of thin provisioning cannot be set from Resource Orchestrator. The actual setting of thin provisioning follows the setting of storage repository (SR) of XenServer.

## Functions of Each Server Virtualization Software That Must Not Be Directly Used / Operated

The functions of each server virtualization software that must not be directly used/operated are indicated below.

Table 11.9 List of Functions of Each Server Virtualization Software That Must Not Be Directly Used/Operated

| Server Virtualization Products   | Functions with no Support of Combined Use   |
|--|---|
| VMware vSphere 4.0<br>VMware vSphere 4.1<br>VMware vSphere 5.0<br>VMware vSphere 5.1<br>VMware vSphere 5.5<br>VMware vSphere 6.0<br>VMware vSphere 6.5   | Virtual switches other than VMware standard functions (Cisco Nexus 1000V, etc. are not supported)   |
| VMware vSphere 5.5<br>VMware vSphere 6.0<br>VMware vSphere 6.5   | vSphere Flash Read Cache  |
| Microsoft(R) System Center Virtual Machine Manager 2008 R2<br>Microsoft(R) System Center 2012 Virtual Machine Manager<br>Microsoft(R) System Center 2012 R2 Virtual Machine Manager<br>Microsoft(R) System Center 2016 Virtual Machine Manager | Saving in the virtual machine library<br>The following functions can be used together on Microsoft(R) System Center Virtual Machine Manager 2008 R2 SP1 or later.<br>- Movement of storage areas<br>- Movement changing the virtual machine storage destination |

[Hyper-V]

VMware ESX and Citrix(R) XenServer(TM) can be managed by SCVMM, but only VM hosts for Hyper-V can be managed when using SCVMM in Resource Orchestrator.

## 11.2 Configuring Server Virtualization Software

---

Server virtualization software must be configured appropriately for Resource Orchestrator.

### 11.2.1 Configuration Requirements

---

This section explains how to configure server virtualization software.

The settings indicated below are required when using server virtualization software.

- Install and configure the VM management software

Install and configure the VM management software.

Required when using VMware, Hyper-V, OVM for x86 2.2, or OVM for x86 3.x.

For details, refer to the manual of server virtualization software.

- Install and configure the VM hosts

Install and configure the VM hosts.

The settings required in advance are indicated below.

[VMware]

- Volumes have been created
- Zoning and host affinity have been set
- VM hosts have been configured to recognize a datastore
- Datastores have been used to specify dynamic allocation

For details, refer to "[E.1 VMware](#)".

[Hyper-V]

The configuration enables use of SAN environments on VM hosts

- Volumes have been created
- Zoning and host affinity have been set
- MSFC has been added to VM hosts
- A SAN volume has been configured as a cluster disk
- A cluster disk has been added as a shared cluster volume

All created L-Servers are located on a cluster as high availability virtual machines.

For details, refer to "[E.2 Hyper-V](#)".

[Xen]

- Volumes (LUNs) to assign to the admin OS have already been created
- Zoning and host affinity have been set
- The LUN has already been set as the shared class of GDS

For details, refer to "[E.3 RHEL5-Xen](#)".

[OVM for x86 2.2]

- Volumes have been created
- Zoning and host affinity have been set

- A storage and a repository have been added as a shared cluster volume
- A server pool has been created
- The VM hosts have been registered in the server pool
- A storage repository has been registered in the server pool
- VM guests can be created in the server pool
- A cloning image exists in the server pool

For details, refer to "[E.4 OVM for x86 2.2](#)".

[KVM]

For details, refer to "[E.5 RHEL-KVM](#)".

[Solaris Zones]

For details, refer to "[E.6 Solaris Zones](#)".

[OVM for SPARC]

For details, refer to "[E.7 OVM for SPARC](#)".

[Citrix Xen]

For details, refer to "[E.8 Citrix XenServer](#)".

[OVM for x86 3.x]

For details, refer to "[E.9 OVM for x86 3.x](#)".



## Note

When using multiple server virtualization software with the same manager, set differing names for the following on each server virtualization software.

- Port Groups
- Virtual Switches
- Virtual Network
- Virtual Bridges

[VMware]

When configuring a port group, for the name of port groups using the same VLAN ID, it is necessary to use a common name on all VM hosts.

[Hyper-V]

- When configuring a virtual network, it is necessary to use a common name on all VM hosts for the name of virtual networks using the same VLAN ID.

[Xen] [Citrix Xen] [KVM]

- When configuring a virtual bridge, it is necessary to use a common name on all VM hosts for the name of virtual bridges using the same VLAN ID.

## 11.2.2 Functional Differences between Products

This section describes the functional differences of each server virtualization product when used with Resource Orchestrator.

### Display of VM Guest Names

The names of VM guests displayed in Resource Orchestrator vary according to the server virtualization product used.

[VMware]

The ROR console displays either a VM guest's VM name (as defined within VMware), or the hostname of its guest OS.

The guest OS hostname is displayed only after VMware Tools have been installed and the VM guest has been restarted once. The following conditions illustrate this behavior.

- VMware Tools were not installed yet: the *VM name* is displayed
- VMware Tools were installed, but the VM guest was not restarted yet: the *VM name* is displayed
- VMware Tools were installed, and the VM guest restarted: the *hostname of the guest OS* is displayed

If symbols were used in the VM name, those may be shown as percent signs ("%") or a pair of hexadecimal characters (example: "%5c"). Such behavior is similar to that of some parts of VMware's management console.

[Hyper-V]

The ROR console displays either a VM guest's VM name (as defined within Hyper-V), or the hostname of its guest OS.

The guest OS hostname is displayed after the VM guest has been started up at least once.

[Xen] [Citrix Xen]

The ROR console displays the Xen VM names obtained at the time of VM host registration.

Once a VM guest is registered, VM name changes made from the Xen admin client will not be reflected in the ROR console.

[KVM]

The VM guest name displayed in the ROR console is the VM name specified during VM creation.

[Solaris Zones]

The VM guest names displayed on the ROR console are the Solaris zone names set when creating Solaris zones.

[OVM for SPARC]

The VM guest names displayed on the ROR console are the guest domain names.

[OVM for x86 3.x]

The VM guest names displayed on the ROR console are the VM guests' VM names (as defined within Oracle VM).

## Power Control of VM Guests

[Xen] [Citrix Xen] [KVM]

- When using Citrix XenServer in a high-availability configuration, VM guests cannot be shut down if the automatic reboot option (for VM guests) is enabled.  
For details, refer to the manual of server virtualization software.
- When using Red Hat Enterprise Linux 5 Virtualization (Xen-based), Resource Orchestrator cannot perform power operations on suspended VM guests. Suspended VM guests should first be resumed directly from the VM host console.

[OVM for SPARC]

When starting the OS when starting a VM guest, specify "true" for the auto-boot? variable of the guest domain.

When the function is not supported by OVM for SPARC, stopping and rebooting of the VM guest cannot be performed.

Based on the virtual machine status, either directly operate the virtual machine, or perform a forced stop or forced reboot.

When executing power control of VM guests in Resource Orchestrator, binding/unbinding of resources is also executed.

- When starting a VM guest  
Binding of resources is executed
- When stopping a VM guest  
Unbinding of resources is executed
- When restarting a VM guest  
Binding/unbinding of resources is not executed

## VM Guest Statuses [Solaris Zones]

The Solaris zone from before installation of the OS is not displayed as the VM guest.

## High-Availability Features of Each Product

Each server virtualization product provides its own high-availability feature. For details about such features, refer to the manual of each product.

Table 11.10 High-availability Features of Each Product

| Server Virtualization Products | High-availability Feature  |
|--------------------------------|----------------------------|
| VMware                         | VMware HA                  |
| Hyper-V                        | Failover clustering        |
| Xen/KVM                        | HA                         |
| Solaris Zones/OVM for SPARC    | None                       |
| OVM for x86 3.x                | HA function of server pool |

## Sharing of Spare Servers between Physical Servers and VM Guests

Resource Orchestrator allows sharing of spare servers between physical servers and VM guests by combining its own spare server functionality with the high-availability features available in each server virtualization product. This can be done using the following procedure.

- a. Choose a VM host that is not running any VM guest, and set it as a VM guest recovery server using the high-availability feature of the virtualization product used
- b. In Resource Orchestrator, set the server chosen in a as the spare server of other physical servers

Refer to "[11.1 Deciding Server Virtualization Software](#)" for details on which server virtualization product can be used to share a common spare server with Resource Orchestrator.

## Backup and Restore of VM Hosts when VM Guests are Stored on their Boot Disk

Depending on the virtualization product used, the behavior of backup and restore functions differs whether or not VM guests are stored on the VM host's boot disk.

[VMware]

VM guests are not included in the VM host's backup and restore.

[Hyper-V]

VM guests are included in the VM host's backup and restore. However, only the data stored on the VM host's boot disk is subject to backup and restore.

[Xen] [Citrix Xen] [KVM]

VM guests are included in the VM host's backup and restore. However, only the data stored on the VM host's boot disk is subject to backup and restore.

[Solaris Zones] [OVM for SPARC]

Not supported.

Table 11.11 Backup and Restore Behavior for Each Virtualization Product

| Disk       | Partition | Backup and Restore Target |         |         |         |               |               |
|------------|-----------|---------------------------|---------|---------|---------|---------------|---------------|
|            |           | VMware                    | Hyper-V | Xen     | KVM     | Solaris Zones | OVM for SPARC |
| First disk | VM host   | Yes                       | Yes     | Yes     | Yes     | No            | No            |
|            | swap      | No (*1)                   | -       | No (*1) | No (*1) | No            | No            |

| Disk        | Partition | Backup and Restore Target |         |     |     |               |               |
|-------------|-----------|---------------------------|---------|-----|-----|---------------|---------------|
|             |           | VMware                    | Hyper-V | Xen | KVM | Solaris Zones | OVN for SPARC |
|             | VM guest  | No (*2)                   | Yes     | Yes | Yes | No            | No            |
|             | Data      | Yes                       | Yes     | Yes | Yes | No            | No            |
| Second disk | VM guest  | No                        | No      | No  | No  | No            | No            |
|             | Data      | No                        | No      | No  | No  | No            | No            |

\*1: During backup, data cannot be collected from the swap area. During restoration, the partition settings of the swap area are restored.

\*2: VMFS partitions are not subject to backup and restore.

## VM Guest Migration

For VMware or Hyper-V environments, VMware vCenter Server or System Center Virtual Machine Manager should be registered as VM management software to enable VM guest migrations.

Depending on the server virtualization software used, the following remarks apply. For details, refer to the manual of server virtualization software.

[VMware]

The source and destination VM hosts should be registered as part of the same cluster on the VM management software.

For details on clusters on VM management software, refer to the server virtualization software manual.

[Hyper-V]

The source and destination VM hosts should be part of the same Windows failover cluster.

For details on failover clusters, refer to the Windows operating system manual.

[Citrix Xen]

With Citrix XenServer, a migrated VM guest may be temporarily suspended before migration. Refer to the Citrix XenServer manual for details on the migration process for VM guests and the conditions behind this behavior.

[KVM]

When cold migration is specified for migration from the powered on status, the migration may fail.

Turn off the power, perform migration, and then wait for a while before turning on the power.

To perform migration in Resource Orchestrator, it is necessary to specify "lun" for the disk device in the XML configuration file of the device.

Configure the XML configuration file of the VM guest as below.

```
<devices>
...
<disk type='block' device='lun'>
...
</disk>
...
</devices>
```

For details on how to edit the XML configuration file, refer to the manual of the server virtualization software.

The terminology used to describe different types of VM guest migration may differ depending on each virtualization vendor. For unification purposes, Resource Orchestrator uses the following terminology.

Table 11.12 Migration Terminology

| Resource Orchestrator Terminology | VMware Terminology | Meaning   |
|-----------------------------------|--------------------|---|
| Live migration                    | VMotion            | Migration of an active virtual machine (without interruption) |



| Resource Orchestrator Terminology | VMware Terminology | Meaning                                    |
|-----------------------------------|--------------------|--|
| Cold migration                    | Cold migration     | Migration of a powered off virtual machine |

## VM Guest Statuses

Displayed VM guest statuses may differ depending on the configuration of its server virtualization environment.

[VMware]

- If no VM management software was registered in Resource Orchestrator  
VM guest statuses can be one of the following: "normal", "unknown", or "stop".
- If VM management software was registered in Resource Orchestrator  
VM guest statuses can be one of the following: "normal", "warning", "error", "unknown", or "stop".

[Hyper-V]

- If no VM management software was registered in Resource Orchestrator  
VM guest statuses can be one of the following: "normal", "unknown", or "stop".
- If VM management software was registered in Resource Orchestrator  
VM guest statuses can be one of the following: "normal", "stop", "unknown", or "error".

[Xen] [Citrix Xen] [KVM]

VM guest statuses can be one of the following: "normal", "stop", "unknown", or "error".

[Solaris Zones]

VM guest statuses can be one of the following: "normal", "unknown", or "stop".

[OVM for SPARC]

VM guest statuses can be one of the following: "normal", "stop", "unknown", or "error".

[OVM for x86 3.x]

VM guest statuses can be one of the following: "normal", "warning", "error", "unknown", or "stop".

## VM Maintenance Mode

The terminology used to describe VM maintenance mode may differ depending on each virtualization vendor. For details on VM maintenance mode settings and their requirements, refer to the manual of each product.

Table 11.13 VM Maintenance Mode Terminology

| Server Virtualization Products | Vendor Terminology    |
|--------------------------------|-----------------------|
| VMware                         | Maintenance mode      |
| Hyper-V                        | Maintenance mode (*1) |
| Xen                            | Maintenance mode (*2) |
| Solaris Zones/OVM for SPARC    | None                  |
| OVM for x86 3.x                | Maintenance mode      |

\*1: Only available with System Center Virtual Machine Manager (SCVMM). Maintenance mode for Hyper-V is made available in Resource Orchestrator by integrating directly with SCVMM.

\*2: Only available with Citrix XenServer. Red Hat Enterprise Linux 5 Virtualization (Xen-based) does not provide similar functionality. Moreover, the following restrictions may apply depending on the server virtualization product used.

[VMware]

When a VM host is set to VM maintenance mode, VM guests on the VM host will migrate automatically.

To set a VM host to VM maintenance mode without migrating the VM guests, perform the setting from a VMware vCenter Server.

The behavior after setting will depend on the VM guest's status as shown below.

Table 11.14 VM Maintenance Mode Behavior

|                                   | vSphere DRS Enabled  | vSphere DRS Disabled  |
|-----------------------------------|--|---|
| There are powered on VM guests    | VM guests migrate and the VM host will be set to maintenance mode. | VM guests do not migrate and setting of the VM host maintenance mode will fail. |
| There are no powered on VM guests | VM guests migrate and the VM host will be set to maintenance mode. | VM guests migrate and the VM host will be set to maintenance mode.              |

[Hyper-V]

Target VM hosts should be registered in SCVMM and SCVMM in turn properly registered in Resource Orchestrator.

[Citrix Xen]

With Citrix XenServer, a VM host assigned as a pool master cannot be put into maintenance mode.

To put such a VM host into VM maintenance mode, the pool master role should first be assigned to a different VM host (within the same Citrix XenServer resource pool).

## Migration Conflicts

VM guest migration may fail if another migration was already launched from outside (\*) or Resource Orchestrator. In this case, the operation of Resource Orchestrator has failed but the operation of the coordinated server virtualization software may have been completed successfully. As the server virtualization software status is reflected onto Resource Orchestrator when periodical update is performed, check the status after a while and take corrective action.

When using the ROR console, select [Operation]-[Update] from the ROR console menu to refresh the screen and check that the VM guest is not already being migrated.

[Citrix Xen]

With Citrix XenServer, "Home server" should be set for VM guests running on the VM hosts registered in the Citrix XenServer resource pool. Otherwise, powered off VM guests will no longer be recognized by Resource Orchestrator. If a VM guest is no longer displayed in the ROR console after a screen update, confirm that "Home server" is set.

\* Note: This may happen when using an automatic migration feature within the server virtualization software, or when a migration was run directly from a VM management console. Refer to the virtualization software manual for details on automatic migration features.

## Notes on Citrix XenServer Resource Pool Usage [Citrix Xen]

When using a Citrix XenServer resource pool in a Citrix XenServer environment, if the pool master becomes inaccessible from the Resource Orchestrator manager, the statuses of VM hosts and VM guests belonging to that Citrix XenServer resource pool will change to "unknown", and the affected VM guests will no longer be manageable from Resource Orchestrator. In such cases, check the status of the pool master, and resolve any communication problem that may prevent the manager from communicating with it (if necessary, change the pool master to another VM host that is accessible from the manager). If the pool master is not reachable, resolve any communication problem that may prevent the manager from communicating with it (if necessary, change the pool master to another VM host).

When using Citrix XenServer in a high-availability configuration, the pool master is automatically changed to another VM host if it becomes unreachable. As a result, VM guests can then be controlled normally from Resource Orchestrator.

For details on the Citrix XenServer resource pool and high availability configurations, refer to the Citrix XenServer manual.

## Regarding VM Host Names when VM Management Software Has Been Registered

This section explains the names of the VM hosts displayed in Resource Orchestrator when VM management software has been registered, based on the server virtualization product used.

When VM management software has been registered, the host names displayed in the ROR console will be the names of the VM hosts acquired from VM management software.

[VMware]

The VM host names that are recognized for vCenter Server are the host names displayed when connecting to vCenter Server using vSphere Client or vSphere Web Client.

[Hyper-V]

The VM host names that are recognized for SCVMM are the host names shown when displaying hosts in the SCVMM administrator console.

[OVM for x86 3.x]

The VM host names that are recognized for Oracle VM Manager are the host names shown when displaying hosts in the Oracle VM Manager.

## **Generation 2 Virtual Machines [Hyper-V]**

Generation 2 virtual machines are not supported. Only generation 1 virtual machines are supported.

# Chapter 12 Configuring Single Sign-On

The Single Sign-On function of ServerView Operations Manager can be used for user authentication in Resource Orchestrator. When using the Single Sign-On function of ServerView Operations Manager, authentication is performed using the user information managed by the Directory Service.

The flow of Single Sign-On installation is as follows.

1. Install ServerView Operations Manager

When installing ServerView Operations Manager, select [Intermediate] or [Old] on the [Security Configuration] window. [Modern] is not supported.

2. Register administrator users in the Directory Service in Resource Orchestrator

3. Install Resource Orchestrator

This chapter explains how to configure ServerView Operations Manager and the directory service environment.

## 12.1 Deciding the Directory Service to Use

Decide the directory service to use with the ServerView Operations Manager function. The directory services which can be used in Resource Orchestrator use the ServerView Operations Manager settings.

- Directory Services Provided with ServerView Operations Manager
- Active Directory

When already using Active Directory for user management of another system, it can be used instead of the directory service provided with ServerView Operations Manager.



After deployment of Resource Orchestrator, only the password of the directory server's administrator can be changed.

## 12.2 Setting Up ServerView Operations Manager and the Directory Service Environment

Set up ServerView Operations Manager and the Directory Service Environment.

The following settings can be made for coordination of Resource Orchestrator and a directory service.

- [Coordination with the User Registration Directory Service](#)
- [To Use a User already Registered with Active Directory as a Resource Orchestrator User](#)
- [Single Sign-On When Using the ServerView Operations Manager Console](#)
- [When Installing ServerView Operations Manager Again](#)



Do not modify the LDAP port number of the directory service.

### 12.2.1 Coordination with the User Registration Directory Service

By default, when Resource Orchestrator users perform operations, updated information is also reflected on the directory service.

User information of Resource Orchestrator is created in the following location.

- When using the directory services provided with ServerView Operations Manager

ou=users,*Base\_DN*

- When using Active Directory

cn=Users,*Base\_DN*

The reflected information is as follows:

| User Registration Information for Resource Orchestrator | User Entry Class and Attribute of Directory Service            |   |
|---|--|---|
|   | Directory Services Provided with ServerView Operations Manager | Active Directory  |
| (User entry class)                                      | inetOrgPerson  | user  |
| User ID   | cn<br>uid<br>sn  | cn<br>sAMAccountName<br>(User logon name (Windows 2000 or earlier))<br>sn (Family name) |
| Password  | userPassword   | unicodePwd  |
| Email address   | Not reflected  | Not reflected   |
| Company name or organization name                       | Not reflected  | Not reflected   |
| Email address (for emergencies)                         | Not reflected  | Not reflected   |
| Telephone number  | Not reflected  | Not reflected   |
| Description   | Not reflected  | Not reflected   |
| First name  | Not reflected  | Not reflected   |
| Family name   | Not reflected  | Not reflected   |
| (Active Directory user account properties)              | None   | NORMAL_ACCOUNT for userAccountControl (General users)                                   |
| User Groups   | Not reflected  | Not reflected   |
| Role Names  | Not reflected  | Not reflected   |
| Access Scope  | Not reflected  | Not reflected   |

The administrator user (privileged user) specified when installing Resource Orchestrator is not reflected on the directory service. Register administrator users in the directory service, referring to "[12.3 Registering Administrators](#)".

When using the user account information of the existing directory service for user authentication in Resource Orchestrator, if reflection of user operation details on the directory service is not necessary, the settings can be changed.

Use the following procedure to edit the directory service operation definition file (ldap\_attr.rcxprop).

1. Stop the manager.
2. Edit the directory service operation definition file (ldap\_attr.rcxprop)).

```
directory_service=false
```

3. Start the manager.

For details, refer to "8.6.1 Settings for Tenant Management and Account Management" in the "Operation Guide CE".



- If the directory service operation definition file includes the setting which reflects the content of operations, when a user is deleted from Resource Orchestrator, the corresponding user account will be deleted from the directory service as well. Exercise caution when using an existing directory service for user management on another system.
- User operations on the directory server affect user management in Resource Orchestrator, regardless of the directory service operation definition file configuration.

User operations on the directory server means user account operations on Active Directory or user operations using the user management wizard of ServerView Operations Manager.

- When Users are Deleted

Login to the manager is not possible.

- When Passwords are Modified

Specify the new password when logging into the manager.

## 12.2.2 To Use a User already Registered with Active Directory as a Resource Orchestrator User

When installing ServerView Operations Manager, specify the following items related to the directory service.

- Select Directory Server

Select "Other directory server".

When using SVOM 7.11 or later, additionally select [Authorization on other directory server].

- Directory Service Settings

- Host

The fully-qualified name of the server on which Active Directory is running.

- Port

The port number used for access to Active Directory. Specify the port number for SSL communication.

- SSL

Select "Yes".

- SVS Base DN

Set the highest level of the Active Directory tree.

Example

```
DC=fujitsu,DC=com
```

- User Search Base

The starting point for the user search in Active Directory.

Example

```
CN=Users,DC=fujitsu,DC=com
```

- User Search Filter

The filter for user searches.

Specify the sAMAccountName attribute or cn attribute. Specify the same value as the value of the attribute specified for the User Search Filter as the value of the User ID of all the users of Resource Orchestrator.

```
sAMAccountName=%u
```

- User

Specify a user account with write privileges for Active Directory.

Example

```
CN=Administrator,CN=Users,DC=fujitsu,DC=com
```

- Password / Confirm password

Specify the password of the user who specified it as the "User".

For more details, refer to the following manual.

- "Menu-Driven Installation of the Operations Manager Software" in the "ServerView Suite ServerView Operations Manager Installation Guide"

For details on how to change the directory service of ServerView Operations Manager, refer to the following manual.

- "Configuring directory service access" in "ServerView Suite User Management in ServerView"

## 12.2.3 Single Sign-On When Using the ServerView Operations Manager Console

In the "Resource" tab of the ROR console, you can open the screen of ServerView Operations Manager using the function to open the server management screen. This section explains how to set up Single Sign-on. You can use it access the server management screen of ServerView Operations Manager without being prompted to log in.

Perform user role assignment or release on ServerView Operations Manager.

### When Registering Users

Assign roles to users in the following procedure.

When Using Directory Services Provided with ServerView Operations Manager

#### - ServerView Operations Manager V5.5 or later

1. Register a user from the ROR console.

The user is registered in the directory service as well.

2. Start the "User Management Wizard" of ServerView Operations Manager.

3. The user registered in step 2 is displayed in the list. Assign a suitable role to the user.

#### - ServerView Operations Manager V5.5 or earlier

1. Register a user from the ROR console.

The user is registered in the directory service as well.

2. Create an ldif file.

An example of how to assign the Administrator role to the "rormanager" user account is indicated below.

```
dn: cn=Administrator,OU=AuthorizationRoles,OU=CMS,OU=Departments,OU=SVS,dc=fujitsu,dc=com
changetype: modify
add: member
member: cn=rormanager,ou=users,dc=fujitsu,dc=com
```

```
dn:
cn=Administrator,OU=AuthorizationRoles,OU=DEFAULT,OU=Departments,OU=SVS,dc=fujitsu,dc=com
changetype: modify
```

```
add: member
member: cn=rormanager,ou=users,dc=fujitsu,dc=com
```

3. Specify the ldif file created in step 2 and execute the ldapmodify command of the directory service.

Before executing the ldapmodify command of the directory service, set the installation directory of the Java Runtime Environment (JRE) for the environment variable JAVA\_HOME. An execution example is shown below.

[Windows]

```
>"C:\Program Files (x86)\Fujitsu\ServerView Suite\Directory service\bat\ldapmodify.bat" -p 1473 -f user.ldif
-D "cn=Directory Manager" -w admin -c <RETURN>
```

[Linux]

```
# /opt/fujitsu/ServerViewSuite/Directory service/bin/ldapmodify -p 1473 -f user.ldif -D "cn=Directory
Manager" -w admin -c <RETURN>
```

The meanings of the options of the ldapmodify command are as follow.

- p: the port number when not using SSL communication for the directory service (the default value is 1473).
- f: the ldif file
- D: the directory service administrator DN("cn=Directory Manager")
- w: the password of the directory service administrator DN.

#### When Using Active Directory

Refer to the following manual.

- "Integrating ServerView user management into Microsoft Active Directory" of the "ServerView Suite User Management in ServerView"

## When Deleting Users

#### When Using Directory Services Provided with ServerView Operations Manager

Release the role assignment in ServerView Operations Manager first, and then delete the users in Resource Orchestrator.

##### - ServerView Operations Manager V5.5 or later

1. Start the "User Management Wizard" of ServerView Operations Manager.
2. Registered user names are displayed. Delete all roles from the users to be deleted.
3. Delete the users from the ROR console.

The users will be deleted from the directory service.

##### - ServerView Operations Manager V5.5 or earlier

1. Create an ldif file.

An example of how to delete the "rormanager" user account from the Administrator role on ServerView Operations Manager is given below.

```
dn: cn=Administrator,OU=AuthorizationRoles,OU=CMS,OU=Departments,OU=SVS,dc=fujitsu,dc=com
changetype: modify
delete: member
member: cn=rormanager,ou=users,dc=fujitsu,dc=com
dn:
cn=Administrator,OU=AuthorizationRoles,OU=DEFAULT,OU=Departments,OU=SVS,dc=fujitsu,dc=com
changetype: modify
delete: member
member: cn=rormanager,ou=users,dc=fujitsu,dc=com
```



2. Specify the Idif file created in step 1 and execute the ldapmodify command of the directory service.

Before executing the ldapmodify command of the directory service, set the installation directory of the Java Runtime Environment (JRE) for the environment variable JAVA\_HOME. An execution example is shown below.

[Windows]

```
>"C:\Program Files (x86)\Fujitsu\ServerView Suite\Directory service\bat\ldapmodify.bat" -p 1473 -f user.ldif  
-D "cn=Directory Manager" -w admin -c <RETURN>
```

[Linux]

```
# /opt/fujitsu/ServerViewSuite/Directory service/bin/ldapmodify -p 1473 -f user.ldif -D "cn=Directory  
Manager" -w admin -c <RETURN>
```

The meanings of the options of the ldapmodify command are as follow.

- p: the port number when not using SSL communication for the directory service (the default value is 1473).
- f: the ldif file
- D: the directory service administrator DN("cn=Directory Manager")
- w: the password of the directory service administrator DN.

### When Using Active Directory

There are no tasks to be performed in advance.

If users have been registered in the directory service, deleting users from Resource Orchestrator deletes those users from Active Directory as well.

In addition, those users are released from the roles that were assigned on ServerView Operations Manager.



See

For details on the "User Management Wizard", refer to the following manual.

- "Configuring directory service access" and "ServerView user management with OpenDS" in "ServerView Suite User Management in ServerView"

## 12.2.4 When Installing ServerView Operations Manager Again

It is necessary to perform the following operations, when installing ServerView Operations Manager again or performing an upgrade installation.

When installing ServerView Operations Manager, select [Intermediate] or [Old] on the [Security Configuration] window. [Modern] is not supported.

- Backup and restoration of user information in the directory service  
(When using the directory service provided with ServerView Operations Manager)

Back up the user information of the directory service, before uninstalling ServerView Operations Manager.

Restore the user information in the directory service after installing ServerView Operations Manager again.

For details on the backup and restoration of the directory service, refer to the ServerView Operations Manager manual.

- Registering CA Certificates of ServerView Operations Manager

The CA certificate of ServerView Operations Manager will be created again.

Refer to "8.10.1.2 Registering Certificates" in the "Operation Guide CE" and register the certificate in Resource Orchestrator.

## 12.3 Registering Administrators

Register an administrator user (privileged user) to be specified when installing Resource Orchestrator with the directory service.

Use the following object classes.

Table 12.1 Object Class

| Directory Service  | Object Class  | Attribute Used for the Login User ID |
|--|---------------|--------------------------------------|
| Directory Services Provided with ServerView Operations Manager | inetOrgPerson | uid or cn                            |
| Active Directory   | user          | sAMAccountName or cn (*)             |

\* Note: Specify these either as the User Search Filter in the Directory Service Settings of ServerView Operations Manager. Specify the same value as the value of the attribute specified as the User Search Filter as the value of the User ID of all the users including the privileged user (an administrator) of Resource Orchestrator.

When using the directory service provided with ServerView Operations Manager, the user ID (uid attribute) must be unique in the directory service.

When using the directory service provided with ServerView Operations Manager, a predefined user exists when installing ServerView Operations Manager.

When using the predefined "Administrator"(ServerView Administrator) as an administrator user in Resource Orchestrator, the following procedure is unnecessary.

For details on predefined user information, refer to the following ServerView Operations Manager manual.

- "Configuring directory service access" and "ServerView user management with OpenDS" in "ServerView Suite User Management in ServerView"

An example of how to register a privileged user of Resource Orchestrator in the directory service provided with ServerView Operations Manager is indicated below.

**- ServerView Operations Manager V5.5 or later**

1. Start the "User Management Wizard" of ServerView Operations Manager.
2. Add an administrator user. Allocate the appropriate role of ServerView Operations Manager.

For details on the "User Management Wizard", refer to the following manual.

- "Configuring directory service access" and "ServerView user management with OpenDS" in "ServerView Suite User Management in ServerView"

**- ServerView Operations Manager V5.5 or earlier**

1. Add an administrator user. Allocate the appropriate role of ServerView Operations Manager.

For details on the "User Management Wizard", refer to the following manual.

- "Configuring directory service access" and "ServerView user management with OpenDS" in "ServerView Suite User Management in ServerView"

2. Create an ldif file.

```
dn: cn=manager,ou=users,dc=fujitsu,dc=com
changetype: add
objectclass: inetOrgPerson
cn: manager
sn: manager
uid: manager
userPassword: mypassword
```

3. Use the directory service client function to register the ldif file created in step 2 with the directory service.

Before executing the ldapmodify command of the directory service, set the installation directory of the Java Runtime Environment (JRE) for the environment variable JAVA\_HOME.

For details on the command, refer to the directory service manual.

[Windows]

```
>"Directory_service_installation_folder\bat\ldapmodify.bat" -p Port_number -f ldif_file -D  
Directory_service_administrator_user_DN -w Password <RETURN>
```

[Linux]

```
# "Directory_service_installation_folder/bin/ldapmodify" -p Port_number -f ldif_file -D  
Directory_service_administrator_user_DN -w Password <RETURN>
```

SSL communication is not required when registering a user in the directory service provided with ServerView Operations Manager. The default value of the port number when not using SSL communication is "1473" in the directory service provided with ServerView Operations Manager.

For details on how to configure connection settings of the directory service provided with ServerView Operations Manager, refer to README and the manual "ServerView Suite User Management in ServerView".

### Example

```
>"C:\Program Files (x86)\Fujitsu\ServerView Suite\Directory service\bat\ldapmodify.bat" -p 1473 -f manager.ldif -D  
"cn=Directory Manager" -w admin <RETURN>
```

# Chapter 13 Deciding and Configuring the Power Monitoring Environment

This chapter explains how to decide and configure the power monitoring environment.

## 13.1 Deciding the Power Monitoring Environment

This section explains how to define the power monitoring environment settings required for a Resource Orchestrator setup.

For VMware ESXi, this function is not supported.

### 13.1.1 Settings for the Power Monitoring Environment

To monitor power consumption, choose values for the following settings.

#### Polling interval

This determines the time interval for collecting the power consumption data.

The possible values that can be set are any value (at one-minute intervals) between 1 and 6 minutes, or 10 minutes. The default is 5 minutes.

#### Data storage period

This defines the storage period for the collected environmental data.

Table 13.1 Storage Period Values for Power Monitoring Data

| Data Sampling Rate   | Lifespan (Unit: month) |               |
|--|------------------------|---------------|
|  | Default Value          | Maximum Value |
| Finest sampling (The most detailed data secured at the polling interval) | 1                      | 12            |
| Hourly sampling  | 1                      | 60            |
| Daily sampling   | 12                     | 120           |
| Monthly sampling   | 60                     | 300           |
| Yearly sampling  | 60                     | 600           |

### 13.1.2 Power Monitoring Device Settings

Choose values for the following power monitoring device (PDU or UPS) settings. If any of those settings have been already determined by other software, use those values.

#### Device name

This is the name that identifies the power monitoring device. Each device name should be unique within the system. The first character must be alphabetic, and the name can contain up to 15 alphanumeric characters and hyphens ("-").

#### Admin IP address

This IP address must be in the same subnet as the admin server.

#### SNMP community name

This community name can contain up to 32 alphanumeric characters, underscores ("\_"), and hyphens ("-").

#### Voltage

This is the voltage (V) supplied to the power monitoring device.

## Comments

These comments can be any description desired for the power monitoring device. The comments can contain up to 128 characters.

## **13.2 Configuring the Power Monitoring Environment**

---

This section describes how to configure power monitor devices for Resource Orchestrator.

Apply the following settings to power monitoring targets. Refer to the manual of each power monitoring target for configuration instructions.

### Admin IP address

This IP address is used by the admin server to communicate with a power monitoring target.

### SNMP community name

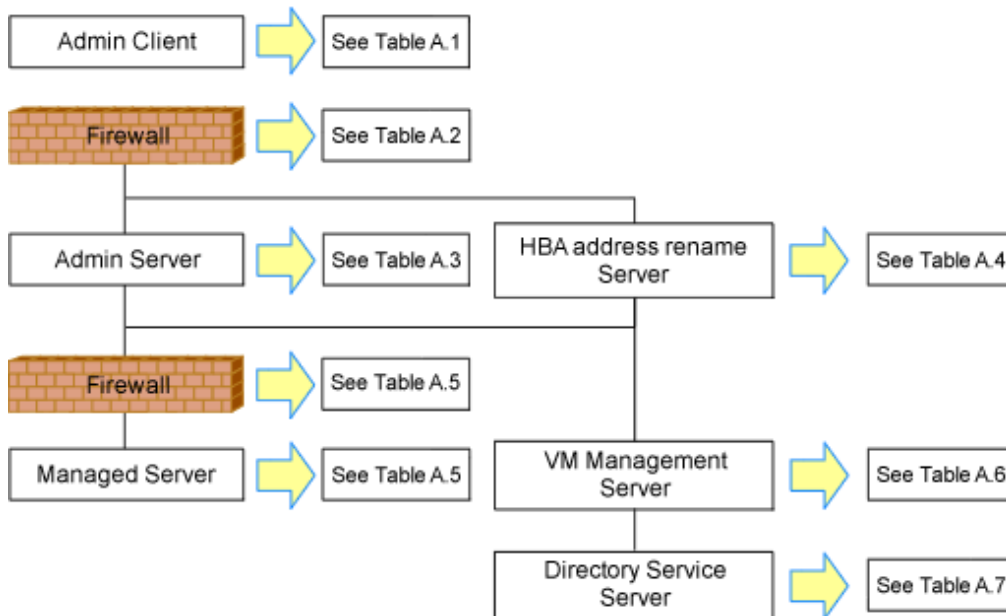
This SNMP community name is used by the admin server to collect power consumption data from a power monitoring target (via the SNMP protocol).

# Appendix A Port List

This appendix explains the ports used by Resource Orchestrator.

The following figure shows the connection configuration of Resource Orchestrator components.

Figure A.1 Connection Configuration



Resource Orchestrator ports should be configured during the system configuration of each related server.

For details on setup, refer to the following:

- Changing Admin Server Port Numbers
  - "6.2 Changing Port Numbers" in the "User's Guide for Infrastructure Administrators (Resource Management) CE"
  - "8.3 Settings for Port Number of Admin Servers" in the "Operation Guide CE"
- Changing Managed Server Port Numbers
  - "7.1.6 Changing Port Numbers" in the "User's Guide for Infrastructure Administrators (Resource Management) CE"

If any of those ports is already used by another service, allocate a different port number.

The following tables show the port numbers used by Resource Orchestrator. Communications should be allowed for each of these ports for Resource Orchestrator to operate properly.

Table A.1 Admin client

| Function Overview                  | Source       |         |                |              | Destination  |         |           |              | Protocol |
|------------------------------------|--------------|---------|----------------|--------------|--------------|---------|-----------|--------------|----------|
|                                    | Servers      | Service | Port           | Modification | Servers      | Service | Port      | Modification |          |
| ROR console                        | Admin client | -       | Variable value | Not possible | Admin server | rcxweb  | 23461     | Not possible | tcp      |
| ServerView Operations Manager (*1) | Admin client | -       | Variable value | Not possible | Admin server | http    | 3169      | Not possible | tcp      |
|                                    |              |         |                |              |              | https   | 3170      |              |          |
| Interstage Business Process        |              |         |                |              |              | http    | 3502 (*2) | Not possible | tcp      |

| Function Overview   | Source       |         |                |              | Destination     |           |            |              | Protocol |
|---|--------------|---------|----------------|--------------|-----------------|-----------|------------|--------------|----------|
|   | Servers      | Service | Port           | Modification | Servers         | Service   | Port       | Modification |          |
| Manager Analytics operation management console  |              |         |                |              |                 |           |            |              |          |
| ROR console<br>- L-Platform<br>- Template<br>- Tenant Management<br>- Request<br>- Usage Condition<br>- Dashboard | Admin client | -       | Variable value | Not possible | Admin server    | rcxctext  | 3500       | Possible     | tcp      |
|   |              |         |                |              |                 | rcxctext2 | 3501       | Possible     | tcp      |
| L-Server console [VMware] (*3)  | Admin client | -       | Variable value | -            | Managed servers | -         | 443<br>902 | Not possible | tcp      |

\*1: Required for PRIMERGY servers.

\*2: When upgrade installation is performed, the port number from before upgrading (the default value is 80) is taken over.

\*3: Necessary for connection with the virtual L-Server console in the following environments:

- VMware vSphere 5.1
- VMware vSphere 5.5
- VMware vSphere 6.0

Table A.2 Firewall

| Function Overview  | Direction | Source       |                | Destination  |           | Protocol |
|--|-----------|--------------|----------------|--------------|-----------|----------|
|  |           | Servers      | Port           | Servers      | Port      |          |
| ROR console  | One-way   | Admin client | Variable value | Admin server | 23461     | tcp      |
| ServerView Operations Manager (*1)   |           |              |                |              | 3169      |          |
|  |           |              |                |              | 3170      |          |
| Interstage Business Process Manager Analytics operation management console               | One-way   | Admin client | Variable value | Admin server | 3502 (*2) | tcp      |
| ROR console<br>- L-Platform<br>- Template<br>- Request<br>- Tenant Management<br>- Usage | One-way   | Admin client | Variable value | Admin server | 3500      | tcp      |
|  |           |              |                |              | 3501      | tcp      |

| Function Overview              | Direction | Source       |                | Destination     |              | Protocol |
|--------------------------------|-----------|--------------|----------------|-----------------|--------------|----------|
|                                |           | Servers      | Port           | Servers         | Port         |          |
| Condition - Dashboard          |           |              |                |                 |              |          |
| ROR CE e-mail delivery (*3)    | One-way   | Admin server | Variable value | Mail server     | 25           | smtp     |
| ROR CE API                     | One-way   | Admin client | Variable value | Admin server    | 8014<br>8015 | tcp      |
| L-Server console [VMware] (*4) | One-way   | Admin client | Variable value | Managed servers | 443<br>902   | tcp      |
| L-Server console [Hyper-V]     | One-way   | Admin server | Variable value | Managed servers | 2179         | tcp      |

\*1: Required for PRIMERGY servers.

\*2: When upgrade installation is performed, the port number from before upgrading (the default value is 80) is taken over.

\*3: When a mail server is not on an admin LAN

\*4: Necessary for connection with the virtual L-Server console in the following environments:

- VMware vSphere 5.1
- VMware vSphere 5.5
- VMware vSphere 6.0

Table A.3 Admin server

| Function Overview                  | Source       |         |                |              | Destination       |          |  |              | Protocol |
|------------------------------------|--------------|---------|----------------|--------------|-------------------|----------|--|--------------|----------|
|                                    | Servers      | Service | Port           | Modification | Servers           | Service  | Port   | Modification |          |
| ROR console                        | Admin client | -       | Variable value | Not possible | Admin server      | rcxweb   | 23461  | Not possible | tcp      |
| ServerView Operations Manager (*1) |              |         |                |              |                   | http     | 3169   | Not possible |          |
| Internal control                   | Admin server | -       | Variable value | -            | Admin server (*2) | -(*)3    | 3172   | Not possible | tcp      |
|                                    |              | -       | Variable value | -            |                   | nfdomain | [Windows Manager] 23457<br>[Linux Manager] 23455 | Possible     | tcp      |



| Function Overview                    | Source       |         |                |              | Destination  |                  |       |              | Protocol |
|--------------------------------------|--------------|---------|----------------|--------------|--|------------------|-------|--------------|----------|
|                                      | Servers      | Service | Port           | Modification | Servers  | Service          | Port  | Modification |          |
|                                      |              | -       | Variable value | -            |  | rcxmgr           | 23460 | Possible     | tcp      |
|                                      |              | -       | Variable value | -            |  | rcxtask          | 23462 | Possible     | tcp      |
|                                      |              | -       | Variable value | -            |  | rcxmongrel1      | 23463 | Possible     | tcp      |
|                                      |              |         |                |              |  | rcxmongrel2      | 23464 | Possible     | tcp      |
|                                      |              |         |                |              |  | rcxdb            | 23465 | Possible     | tcp      |
|                                      |              |         |                |              |  | rcxmongrel3 (*4) | 23466 | Possible     | tcp      |
|                                      |              |         |                |              |  | rcxmongrel4 (*4) | 23467 | Possible     | tcp      |
|                                      |              |         |                |              |  | rcxmongrel5 (*4) | 23468 | Possible     | tcp      |
| Monitoring and controlling resources | Admin server | -       | Variable value | -            | Managed server (Physical OS)                                 | nfagent          | 23458 | Possible     | tcp      |
|                                      |              | -       | Variable value | -            | Server management unit (management blade)                    | snmp             | 161   | Not possible | udp      |
|                                      |              | -       | Variable value | -            | Server management unit (Remote Management Controller)        | ipmi             | 623   | Not possible | udp      |
|                                      |              | -       | Variable value | -            |  | telnet           | 23    | Not possible | tcp      |
|                                      |              | -       | Variable value | -            | Server management unit (Remote Management Controller (XSCF)) | snmp             | 161   | Not possible | udp      |
|                                      |              | -       | Variable value | -            |  | ssh              | 22    | Not possible | tcp      |
|                                      |              | -       | Variable value | -            | L2 switches  | telnet           | 23    | Not possible | tcp      |
|                                      |              | -       | Variable value | -            |  | ping             | -     | -            | ICMP     |

| Function Overview | Source                                      |         |                 |              | Destination                                 |          |      |               | Protocol |
|-------------------|---|---------|-----------------|--------------|---|----------|------|---------------|----------|
|                   | Servers                                     | Service | Port            | Modification | Servers                                     | Service  | Port | Modification  |          |
|                   |   | -       | Variab le value | -            |   | snmp     | 161  | Not possibl e | tcp,udp  |
|                   |   | -       | Variab le value | -            | Firewall                                    | telnet   | 23   | Not possibl e | tcp      |
|                   |   | -       | Variab le value | -            |   | ping     | -    | -             | ICMP     |
|                   |   | -       | Variab le value | -            |   | snmp     | 161  | Not possibl e | tcp,udp  |
|                   |   | -       | Variab le value | -            |   | telnet   | 23   | Not possibl e | tcp      |
|                   |   | -       | Variab le value | -            | Server load balancer                        | ping     | -    | -             | ICMP     |
|                   |   | -       | Variab le value | -            |   | snmp     | 161  | Not possibl e | tcp,udp  |
|                   |   | -       | Variab le value | -            |   | ssh      | 22   | Not possibl e | tcp      |
|                   |   | -       | Variab le value | -            | Ethernet Fabric switches (Converged Fabric) | ping     | -    | -             | ICMP     |
|                   |   | -       | Variab le value | -            |   | snmp     | 161  | Not possibl e | tcp,udp  |
|                   |   | -       | Variab le value | -            |   | ping     | -    | -             | ICMP     |
|                   |   | -       | Variab le value | -            | Ethernet Fabric switches (VCS)              | netconf  | 830  | Not possibl e | tcp      |
|                   |   | -       | Variab le value | -            |   | ping     | -    | -             | ICMP     |
|                   |   | -       | Variab le value | -            | Management host                             | snmp     | 161  | Not possibl e | tcp,udp  |
|                   |   | -       | Variab le value | -            |   | snmptrap | 162  | Not possibl e | udp      |
|                   | Server managemen t unit (manageme nt blade) | -       | Variab le value | -            | Admin server                                | snmptrap | 162  | Not possibl e | udp      |

| Function Overview          | Source   |                 |                 |               | Destination     |          |               |               | Protocol |
|----------------------------|--|-----------------|-----------------|---------------|-----------------|----------|---------------|---------------|----------|
|                            | Servers  | Service         | Port            | Modification  | Servers         | Service  | Port          | Modification  |          |
|                            | Server management unit (Remote Management Controller)        |                 |                 |               |                 |          |               |               |          |
|                            | Server management unit (Remote Management Controller (XSCF)) |                 |                 |               |                 |          |               |               |          |
|                            | L2 switches  |                 |                 |               |                 |          |               |               |          |
|                            | Firewall   |                 |                 |               |                 |          |               |               |          |
|                            | Server load balancer   |                 |                 |               |                 |          |               |               |          |
|                            | Ethernet Fabric switches                                     |                 |                 |               |                 |          |               |               |          |
| Management host            | -  | Variab le value | -               | Admin server  | snmptrap        | 162      | Not possibl e | tcp,udp       |          |
| L-Server console [Hyper-V] | Admin server   | -               | Variab le value | -             | Managed servers | -        | 2179          | Possibl e     | tcp      |
| ServerView Agents (*1)     | Admin server   | -               | Variab le value | -             | Managed servers | snmp     | 161           | Not possibl e | tcp udp  |
|                            | Managed servers  | -               | Variab le value | -             | Admin server    | snmptrap | 162           | Not possibl e | udp      |
| Backup, restore, cloning   | Admin server   | -               | 4972            | Not poss ible | Managed servers | -        | 4973          | Not possibl e | udp      |
|                            | Managed servers  | -               | 4973            | Not poss ible | Admin server    | -        | 4972          | Not possibl e | udp      |
|                            |  | bootpc          | 68              | Not poss ible |                 | bootps   | 67            | Not possibl e | udp      |
|                            |  | -               | Variab le value | -             |                 | pxe      | 4011          | Not possibl e | udp      |
|                            |  | -               | Variab le value | -             |                 | tftp     | 69            | Not possibl e | udp      |

| Function Overview  | Source                   |         |                |              | Destination  |                    |  |              | Protocol   |
|--|--------------------------|---------|----------------|--------------|--|--------------------|--|--------------|------------|
|  | Servers                  | Service | Port           | Modification | Servers  | Service            | Port                                   | Modification |            |
|  | Admin server             | -       | Variable value | -            | Admin server   | -                  | 4971                                   | Not possible | tcp        |
| Backup, cloning (collection)                                   | Managed servers          | -       | Variable value | -            | Admin server   | -                  | 14974 - 14989 (*6)<br>4974 - 4989 (*7) | Possible     | udp        |
| Restore cloning (deployment)                                   | Managed servers          | -       | Variable value | -            | Admin server   | -                  | 14974 - 14989 (*6)<br>4974 - 4989 (*7) | Possible     | tcp<br>udp |
| Monitoring server power status                                 | Admin server             | -       | -              | -            | Managed servers  | -                  | -                                      | -            | ICMP (*8)  |
| VMware ESX/ ESXi, vCenter Server (*9)                          | Admin server             | -       | Variable value | -            | Managed server, vCenter Server                                 | -                  | 443                                    | Not possible | tcp        |
| System Center Virtual Machine Manager                          | Admin server             | -       | Variable value | -            | System Center Virtual Machine Manager                          | -                  | 80                                     | Not possible | tcp        |
|  |                          |         |                |              |  | WinRM              | 443<br>5985                            |              |            |
| Directory services provided with ServerView Operations Manager | Admin server             | -       | Variable value | -            | Directory services provided with ServerView Operations Manager | ldaps              | 1474                                   | Possible     | tcp        |
|  |                          | -       | Variable value | -            |  | ldap               | 1473                                   | Not possible | tcp        |
| Active Directory   | Admin server             | -       | Variable value | -            | Active Directory   | ldaps              | 636                                    | Possible     | tcp        |
| Network device discovery                                       | Admin server             | -       | -              | -            | LAN switch (L2 switch)   | -                  | -                                      | -            | ICMP       |
| Collection of performance information                          | Admin server             | -       | -              | -            | Managed server (VMware ESX/ESXi)                               | https              | 443                                    | Not possible | tcp        |
| Collection of performance information                          | Managed server (Hyper-V/ | -       | -              | -            | Admin server   | [Windows] RCXCTDSB | 2512                                   | Not possible | tcp        |

| Function Overview   | Source                      |         |   |              | Destination          |  |   |              | Protocol |
|---|-----------------------------|---------|---|--------------|----------------------|--|---|--------------|----------|
|   | Servers                     | Service | Port  | Modification | Servers              | Service  | Port  | Modification |          |
|   | Solaris Zones/ physical OS) |         |   |              |                      | _sqcdcm_fc<br>msys<br><br>[Linux]<br>FJSVctdsb-<br>sqcdcm-<br>fmsys  |   |              |          |
| Collection of performance information                     | Admin server                | -       | -   | -            | Managed server (Xen) | ssh  | 22  | Possible     | tcp      |
| Storage of performance data configuration definitions     | Admin server                | -       | -   | -            | Admin server         | [Windows]<br>RCXCTDSB<br>_sqcdcm_fc<br>msys<br><br>[Linux]<br>FJSVctdsb-<br>sqcdcm-<br>fmsys   | 2512  | Not possible | tcp      |
| Acquisition of performance information from PDB           | Admin server                | -       | -   | -            | Admin server         | [Windows]<br>RCXCTDSB<br>_sqcdcm_db<br>m<br><br>[Linux]<br>FJSVctdsb-<br>sqcdcm-dbm  | 2511  | Not possible | tcp      |
| CMDB  | Admin server                | -       | 13200<br>13201<br>-<br>13322<br>13323<br>-<br>13325<br>13326<br>-<br>-<br>-<br>-<br>- | Not possible | Admin server         | [Windows]<br>RCXCTDSB<br>_CMDB_MG<br>R<br><br>[Linux]<br>FJSVctdsbC<br>MDBmgr<br><br>[Windows]<br>RCXCTDSB<br>_CMDB_GU<br>I<br><br>[Linux]<br>FJSVctdsbC<br>MDBgui | 13200<br>13201<br>13321<br>-<br>-<br>13324<br>-<br>-<br>13327<br>13328<br>13331<br>13332<br>13333 | Not possible | tcp      |
| Interstage Business Process Manager Analytics rule engine | Admin server                | -       | -   | -            | Admin server         | [Windows]<br>RCXCTDSB<br>_EFServer<br><br>[Linux]<br>FJSVctdsbEF<br>Server   | [Windows<br>Manager]<br>41320<br>(*10)<br><br>[Linux<br>Manag                                     | Possible     | tcp      |

| Function Overview   | Source       |         |                |              | Destination  |                      |  |                    | Protocol |
|---|--------------|---------|----------------|--------------|--------------|----------------------|--|--------------------|----------|
|   | Servers      | Service | Port           | Modification | Servers      | Service              | Port   | Modification       |          |
|   |              |         |                |              |              |                      | er] 61320 (*10)  |                    |          |
| ROR console<br>- L-Platform<br>- Template<br>- Tenant Management<br>- Request | Admin client | -       | Variable value | Not possible | Admin server | rcxctext             | 3500   | Not possible       | tcp      |
|   |              |         |                |              |              | rcxctext2            | 3501   | Possible (*11)     | tcp      |
|   |              |         |                |              |              | rcxctdsb             | 3502 (*12)   | Not possible (*11) | tcp      |
| ROR CE management function  | Admin server | -       | Variable value | Not possible | Admin server | rcxcfvsys            | 8013   | Possible (*11)     | tcp      |
| ROR CE API  | Admin client | -       | Variable value | Not possible | Admin server | rcxfapi<br>rcxtactnt | 8014<br>8015   | Possible (*11)     | tcp      |
| ROR CE for internal control   | Admin server | -       | Variable value | -            | Admin server | rcxtrestchg          | 3550   | Not possible       | tcp      |
|   | Admin server | -       | Variable value | -            | Admin server | rcxtint              | 3551   | Not possible       | tcp      |
|   | Admin server | -       | Variable value | -            | Admin server | rcxctdbchg           | 5441   | Possible (*11)     | tcp      |
|   | Admin server | -       | Variable value | -            | Admin server | rcxctdbdsb           | 5442   | Not possible       | tcp      |
|   | Admin server | -       | Variable value | -            | Admin server | CORBA                | 8002   | Not possible       | tcp      |
|   | Admin server | -       | Variable value | -            | Admin server | Servlet              | 11 to 15 available port numbers are respectively used from Port 24858, 28292, 28393, 29700, 29821, | Not possible       | tcp      |

| Function Overview | Source       |         |                |              | Destination  |                          |                                    |                | Protocol |
|-------------------|--------------|---------|----------------|--------------|--------------|--------------------------|------------------------------------|----------------|----------|
|                   | Servers      | Service | Port           | Modification | Servers      | Service                  | Port                               | Modification   |          |
|                   |              |         |                |              |              |                          | 29921, 29010, 28696, or 26667/tcp. |                |          |
|                   | Admin server | -       | Variable value | -            | Admin server | rcxjeedomain admin       | 23851                              | Possible (*11) | tcp      |
|                   | Admin server | -       | Variable value | -            | Admin server | rcxjeedomain instance    | 23852                              | Possible (*11) | tcp      |
|                   | Admin server | -       | Variable value | -            | Admin server | rcxjeedomain jmx         | 23853                              | Possible (*11) | tcp      |
|                   | Admin server | -       | Variable value | -            | Admin server | rcxjeehtpssl             | 23854                              | Possible (*11) | tcp      |
|                   | Admin server | -       | Variable value | -            | Admin server | rcxjeejms                | 23855                              | Possible (*11) | tcp      |
|                   | Admin server | -       | Variable value | -            | Admin server | rcxjeeorblistener        | 23856                              | Possible (*11) | tcp      |
|                   | Admin server | -       | Variable value | -            | Admin server | rcxjeeorbmutualauth      | 23857                              | Possible (*11) | tcp      |
|                   | Admin server | -       | Variable value | -            | Admin server | rcxjeeorbssl             | 23858                              | Possible (*11) | tcp      |
|                   | Admin server | -       | Variable value | -            | Admin server | rcxmessagebroker         | 23861                              | Not possible   | tcp      |
|                   | Admin server | -       | Variable value | -            | Admin server | rcxbpmsvasadminlistener  | 23862                              | Possible (*11) | tcp      |
|                   | Admin server | -       | Variable value | -            | Admin server | rcxbpmsvhttp listener    | 23863                              | Possible (*11) | tcp      |
|                   | Admin server | -       | Variable value | -            | Admin server | rcxbpmsvhttpssl listener | 23864                              | Possible (*11) | tcp      |
|                   | Admin server | -       | Variable value | -            | Admin server | rcxbpmsviiop listener    | 23865                              | Possible (*11) | tcp      |

| Function Overview                      | Source       |         |                |              | Destination  |                               |       |                | Protocol |
|--|--------------|---------|----------------|--------------|--------------|-------------------------------|-------|----------------|----------|
|  | Servers      | Service | Port           | Modification | Servers      | Service                       | Port  | Modification   |          |
|  | Admin server | -       | Variable value | -            | Admin server | rcxbpmsviiopsslister          | 23866 | Possible (*11) | tcp      |
|  | Admin server | -       | Variable value | -            | Admin server | rcxbpmsviiopsslmutualauth     | 23867 | Possible (*11) | tcp      |
|  | Admin server | -       | Variable value | -            | Admin server | rcxbpmsvjmxsystemconnector    | 23868 | Possible (*11) | tcp      |
|  | Admin server | -       | Variable value | -            | Admin server | rcxbpmsvjavadebugger          | 23869 | Possible (*11) | tcp      |
|  | Admin server | -       | Variable value | -            | Admin server | rcxbpmconasadminlistener      | 23870 | Possible (*11) | tcp      |
|  | Admin server | -       | Variable value | -            | Admin server | rcxbpmconhttplistener         | 23871 | Possible (*11) | tcp      |
|  | Admin server | -       | Variable value | -            | Admin server | rcxbpmconhttpsslister         | 23872 | Possible (*11) | tcp      |
|  | Admin server | -       | Variable value | -            | Admin server | rcxbpmconiiohttplistener      | 23873 | Possible (*11) | tcp      |
|  | Admin server | -       | Variable value | -            | Admin server | rcxbpmconiiohttpsslister      | 23874 | Possible (*11) | tcp      |
|  | Admin server | -       | Variable value | -            | Admin server | rcxbpmconiiohttpsslmutualauth | 23875 | Possible (*11) | tcp      |
|  | Admin server | -       | Variable value | -            | Admin server | rcxbpmconjmxsystemconnector   | 23876 | Possible (*11) | tcp      |
|  | Admin server | -       | Variable value | -            | Admin server | rcxbpmconjavadebugger         | 23877 | Possible (*11) | tcp      |
|  | Admin server | -       | Variable value | -            | Admin server | rcxbpmsvdb                    | 23878 | Possible (*11) | tcp      |
| ROR CE e-mail delivery                 | Admin server | -       | Variable value | -            | Mail server  | smtp                          | 25    | Possible       | tcp      |
| Network device automatic configuration | Admin server | -       | Variable value | -            | L2 switches  | ftp                           | 21    | Not possible   | tcp      |



| Function Overview                            | Source         |         |                          |              | Destination          |              |                |              | Protocol             |        |    |              |     |
|--|----------------|---------|--------------------------|--------------|----------------------|--------------|----------------|--------------|----------------------|--------|----|--------------|-----|
|  | Servers        | Service | Port                     | Modification | Servers              | Service      | Port           | Modification |                      |        |    |              |     |
|  |                |         |                          |              |                      | ssh          | 22             | Not possible | tcp                  |        |    |              |     |
|  |                |         |                          |              |                      | telnet       | 23             | Not possible | tcp                  |        |    |              |     |
|  |                |         |                          |              |                      | -            | Variable value | -            | Firewall             | ssh    | 22 | Not possible | tcp |
|  |                |         |                          |              |                      |              |                |              |                      | telnet | 23 | Not possible | tcp |
|  |                |         |                          |              |                      | -            | Variable value | -            | Server load balancer | ssh    | 22 | Not possible | tcp |
|  |                |         |                          |              |                      |              |                |              |                      | telnet | 23 | Not possible | tcp |
| -  | Variable value | -       | Ethernet Fabric switches | ssh          | 22                   | Not possible | tcp            |              |                      |        |    |              |     |
| Network device operation                     | Admin server   | -       | Variable value           | -            | Server load balancer | ssh          | 22             | Not possible | tcp                  |        |    |              |     |
|  |                |         |                          |              |                      | telnet       | 23             | Not possible | tcp                  |        |    |              |     |
| Network device configuration file management | Admin server   | -       | Variable value           | -            | L2 switches          | ftp          | 21             | Not possible | tcp                  |        |    |              |     |
|  |                |         |                          |              |                      | ssh          | 22             | Not possible | tcp                  |        |    |              |     |
|  |                |         |                          |              |                      | telnet       | 23             | Not possible | tcp                  |        |    |              |     |
|  |                |         |                          |              | Firewall             | ssh          | 22             | Not possible | tcp                  |        |    |              |     |
|  |                |         |                          |              |                      | telnet       | 23             | Not possible | tcp                  |        |    |              |     |
|  |                |         |                          |              | Server load balancer | ssh          | 22             | Not possible | tcp                  |        |    |              |     |

| Function Overview              | Source       |         |                |              | Destination           |         |       |              | Protocol    |
|--------------------------------|--------------|---------|----------------|--------------|-----------------------|---------|-------|--------------|-------------|
|                                | Servers      | Service | Port           | Modification | Servers               | Service | Port  | Modification |             |
|                                |              |         |                |              |                       | telnet  | 23    | Not possible | tcp         |
|                                |              |         |                |              | External FTP servers  | ftp     | 21    | Not possible | tcp         |
| Open the web management window | Admin server | -       | Variable value | -            | L2 switches           | http    | 80    | Possible     | tcp         |
|                                |              | -       | Variable value | -            |                       | https   | 443   | Possible     | tcp         |
|                                |              | -       | Variable value | -            | Firewall              | http    | 80    | Possible     | tcp         |
|                                |              | -       | Variable value | -            |                       | https   | 443   | Possible     | tcp         |
|                                |              | -       | Variable value | -            | Server load balancer  | http    | 80    | Possible     | tcp         |
|                                |              | -       | Variable value | -            |                       | https   | 443   | Possible     | tcp         |
|                                |              | -       | Variable value | -            | Management host       | http    | 80    | Possible     | tcp         |
|                                |              | -       | Variable value | -            |                       | https   | 443   | Possible     | tcp         |
| L2 switch control              | Admin server | -       | Variable value | -            | L2 switches           | -       | 22,23 | Not possible | ssh, telnet |
| VMware Horizon View            | Admin server | -       | -              | -            | VDI Management Server | WinRM   | 5985  | Not possible | tcp         |

\*1: Required for PRIMERGY servers.

\*2: For the port used by the ESC manager when coordinating with ETERNUS SF Storage Cruiser, refer to the "ETERNUS SF Storage Cruiser Operation Guide".

For details on ports used when coordinating with the ETERNUS SF AdvancedCopy Manager Copy Control Module, refer to the "ETERNUS SF AdvancedCopy Manager Operator's Guide for Copy Control Module".

\*3: ServerView Remote Connector Service. This is necessary when using VIOM coordination or when running VMware ESXi on managed servers.

\*4: In Basic mode, these services are not supported.

\*5: Necessary for connection with the virtual L-Server console in the following environments:

- VMware vSphere 5.1

- VMware vSphere 5.5
- VMware vSphere 6.0

\*6: Required when the OS of the admin server is Windows.

\*7: Required when the OS of the admin server is Linux.

\*8: ICMP ECHO\_REQUEST datagram.

\*9: Required when running VMware ESX/ESXi on managed servers.

\*10: Cannot be changed during installation.

\*11: Can be changed, only when installing a server.

\*12: When upgrade installation is performed, the port number from before upgrading (the default value is 80) is taken over.

Table A.4 HBA address rename Setup Service Server

| Function Overview                | Source                                  |         |                |              | Destination     |         |       |              | Protocol |
|----------------------------------|---|---------|----------------|--------------|-----------------|---------|-------|--------------|----------|
|                                  | Servers                                 | Service | Port           | Modification | Servers         | Service | Port  | Modification |          |
| HBA address rename setup service | HBA address rename setup service server | -       | Variable value | Not possible | Admin server    | rcxweb  | 23461 | Possible     | tcp      |
|                                  |   | bootps  | 67             | Not possible | Managed servers | bootpc  | 68    | Not possible | udp      |
|                                  |   | pxe     | 4011           | Not possible |                 |         |       |              |          |
|                                  |   | tftp    | 69             | Not possible |                 |         |       |              |          |

Table A.5 Managed Server or Firewall

| Function Overview                    | Source       |         |                |              | Destination  |                    |       |              | Protocol |
|--------------------------------------|--------------|---------|----------------|--------------|--|--------------------|-------|--------------|----------|
|                                      | Servers      | Service | Port           | Modification | Servers  | Service            | Port  | Modification |          |
| Monitoring and controlling resources | Admin server | -       | Variable value | -            | Managed server (Physical OS)   | nfagent rcvat (*1) | 23458 | Possible     | tcp      |
|                                      |              |         |                |              | Managed server (VMware)  | https              | 443   | Not possible | tcp      |
|                                      |              |         |                |              | Managed server (Xen, KVM, Solaris zones, OVM for x86 2.2, OVM for x86 3.x) | ssh                | 22    | Not possible | tcp      |
|                                      |              |         |                |              | Managed server (Hyper-V)   | RPC                | 135   | Not possible | tcp      |

| Function Overview | Source  |         |      |              | Destination                         |                          |      |              | Protocol |
|-------------------|---------|---------|------|--------------|-------------------------------------|--------------------------|------|--------------|----------|
|                   | Servers | Service | Port | Modification | Servers                             | Service                  | Port | Modification |          |
|                   |         |         |      |              |                                     | NETBIOS Name Service     | 137  | Not possible | tcp,udp  |
|                   |         |         |      |              |                                     | NETBIOS Datagram Service | 138  | Not possible | udp      |
|                   |         |         |      |              |                                     | NETBIOS Session Service  | 139  | Not possible | tcp      |
|                   |         |         |      |              |                                     | SMB                      | 445  | Not possible | tcp,udp  |
|                   |         |         |      |              | L2 switches                         | telnet                   | 23   | Not possible | tcp      |
|                   |         |         |      |              |                                     | ping                     | -    | -            | ICMP     |
|                   |         |         |      |              |                                     | snmp                     | 161  | Not possible | tcp,udp  |
|                   |         |         |      |              | Firewall                            | telnet                   | 23   | Not possible | tcp      |
|                   |         |         |      |              |                                     | ping                     | -    | -            | ICMP     |
|                   |         |         |      |              |                                     | snmp                     | 161  | Not possible | tcp,udp  |
|                   |         |         |      |              | Server load balancer                | telnet                   | 23   | Not possible | tcp      |
|                   |         |         |      |              |                                     | ping                     | -    | -            | ICMP     |
|                   |         |         |      |              |                                     | snmp                     | 161  | Not possible | tcp,udp  |
|                   |         |         |      |              | Ethernet Fabric switches (C-Fabric) | ssh                      | 22   | Not possible | tcp      |
|                   |         |         |      |              |                                     | ping                     | -    | -            | ICMP     |
|                   |         |         |      |              |                                     | snmp                     | 161  | Not possible | tcp,udp  |
|                   |         |         |      |              | Ethernet Fabric switches (VCS)      | ping                     | -    | -            | ICMP     |
|                   |         |         |      |              |                                     | netconf                  | 830  | Not possible | tcp      |

| Function Overview                | Source                                |         |                |              | Destination                             |          |                                      |              | Protocol   |
|----------------------------------|---------------------------------------|---------|----------------|--------------|---|----------|--------------------------------------|--------------|------------|
|                                  | Servers                               | Service | Port           | Modification | Servers                                 | Service  | Port                                 | Modification |            |
|                                  |                                       |         |                |              | Management host                         | ping     | -                                    | -            | ICMP       |
|                                  |                                       |         |                |              |   | snmp     | 161                                  | Not possible | tcp,udp    |
|                                  | System Center Virtual Machine Manager | -       | Variable value | -            | Managed server (Hyper-V)                | RPC      | 135<br>Unused port greater than 1024 | Not possible | tcp        |
|                                  | L2 switches                           | -       | Variable value | -            | Admin server                            | snmptrap | 162                                  | Not possible | tcp,udp    |
|                                  | Firewall                              |         |                |              |   |          |                                      |              |            |
|                                  | Server load balancer                  |         |                |              |   |          |                                      |              |            |
|                                  | Ethernet Fabric switches              |         |                |              |   |          |                                      |              |            |
| Management host                  |                                       |         |                |              |   |          |                                      |              |            |
| L-Server console [VMware] (*2)   | Admin client                          | -       | Variable value | -            | Managed servers                         | -        | 443<br>902                           | Not possible | tcp        |
| L-Server console [Hyper-V]       | Admin server                          | -       | Variable value | -            | Managed servers                         | -        | 2179                                 | Possible     | tcp        |
| ServerView Agents (*3)           | Admin server                          | -       | Variable value | -            | Managed servers                         | snmp     | 161                                  | Not possible | tcp<br>udp |
|                                  | Managed servers                       | -       | Variable value | -            | Admin server                            | snmptrap | 162                                  | Not possible | udp        |
| Backup, restore, cloning         | Admin server                          | -       | 4972           | Not possible | Managed servers                         | -        | 4973                                 | Not possible | udp        |
|                                  | Managed servers                       | -       | 4973           | Not possible | Admin server                            | -        | 4972                                 | Not possible | udp        |
|                                  |                                       | -       | Variable value | -            |   | tftp     | 69                                   | Not possible | udp        |
| HBA address rename setup service | Managed servers                       | bootpc  | 68             | Not possible | HBA address rename setup service server | bootps   | 67                                   | Not possible | udp        |

| Function Overview                      | Source   |         |                |              | Destination                      |         |      |              | Protocol |
|--|--|---------|----------------|--------------|----------------------------------|---------|------|--------------|----------|
|  | Servers  | Service | Port           | Modification | Servers                          | Service | Port | Modification |          |
|  |  |         |                |              |                                  | pxe     | 4011 | Not possible | udp      |
|  |  | -       | Variable value | -            |                                  | tftp    | 69   | Not possible | udp      |
| VMware ESX/ESXi (*4)                   | Admin server                                       | -       | Variable value | -            | Managed servers                  | -       | 443  | Not possible | tcp      |
| Collection of performance information  | Managed Server (Hyper-V/Solaris Zones/physical OS) | -       | -              | -            | Admin server                     | -       | 2512 | Not possible | tcp      |
| Collection of performance information  | Admin server                                       | -       | -              | -            | Managed server (Xen)             | ssh     | 22   | Not possible | tcp      |
| Collection of performance information  | Admin server                                       | -       | -              | -            | Managed server (VMware ESX/ESXi) | https   | 443  | Not possible | tcp      |
| Network device automatic configuration | Admin server                                       | -       | Variable value | -            | L2 switches                      | ftp     | 21   | Not possible | tcp      |
|  |  |         |                |              |                                  | ssh     | 22   | Not possible | tcp      |
|  |  |         |                |              |                                  | telnet  | 23   | Not possible | tcp      |
|  |  |         |                |              | Firewall                         | ssh     | 22   | Not possible | tcp      |
|  |  |         |                |              |                                  | telnet  | 23   | Not possible | tcp      |
|  |  |         |                |              | Server load balancer             | ssh     | 22   | Not possible | tcp      |
|  |  |         |                |              |                                  | telnet  | 23   | Not possible | tcp      |
|  |  |         |                |              | Ethernet Fabric switches         | ssh     | 22   | Not possible | tcp      |

| Function Overview                               | Source                         |              |                |                | Destination          |             |       |              | Protocol |                      |
|---|--------------------------------|--------------|----------------|----------------|----------------------|-------------|-------|--------------|----------|----------------------|
|   | Servers                        | Service      | Port           | Modification   | Servers              | Service     | Port  | Modification |          |                      |
| Network device operation                        | Admin server                   | -            | Variable value | -              | Server load balancer | ssh         | 22    | Not possible | tcp      |                      |
|   |                                |              |                |                |                      | telnet      | 23    | Not possible | tcp      |                      |
| Network device configuration<br>File management | Admin server                   | -            | Variable value | -              | L2 switches          | ftp         | 21    | Not possible | tcp      |                      |
|   |                                |              |                |                |                      | ssh         | 22    | Not possible | tcp      |                      |
|   |                                |              |                |                |                      | telnet      | 23    | Not possible | tcp      |                      |
|   |                                |              |                |                | Firewall             | ssh         | 22    | Not possible | tcp      |                      |
|   |                                |              |                |                |                      | telnet      | 23    | Not possible | tcp      |                      |
|   |                                |              |                |                | Server load balancer | ssh         | 22    | Not possible | tcp      |                      |
|   | telnet                         | 23           | Not possible   | tcp            |                      |             |       |              |          |                      |
|   | L2 switches                    | -            | Variable value | -              | External FTP servers | ftp         | 21    | Not possible | tcp      |                      |
|   |                                |              |                |                |                      |             |       |              |          | Firewall             |
|   |                                |              |                |                |                      |             |       |              |          | Server load balancer |
|   | Open the web management window | Admin server | -              | Variable value | -                    | L2 switches | http  | 80           | Possible | tcp                  |
|   |                                |              |                |                |                      |             | https | 443          | Possible | tcp                  |
| Firewall  |                                |              |                |                |                      | http        | 80    | Possible     | tcp      |                      |
|   |                                |              |                |                |                      | https       | 443   | Possible     | tcp      |                      |
| Server load balancer                            |                                |              |                |                |                      | http        | 80    | Possible     | tcp      |                      |
|   |                                |              |                |                |                      | https       | 443   | Possible     | tcp      |                      |
| Management host                                 |                                |              |                |                |                      | http        | 80    | Possible     | tcp      |                      |

| Function Overview | Source  |         |      |              | Destination |         |      |              | Protocol |
|-------------------|---------|---------|------|--------------|-------------|---------|------|--------------|----------|
|                   | Servers | Service | Port | Modification | Servers     | Service | Port | Modification |          |
|                   |         |         |      |              |             | https   | 443  | Possible     | tcp      |

\*1: Required for SPARC M10/M12 and SPARC Enterprise servers.

\*2: Necessary for connection with the virtual L-Server console in the following environments:

- VMware vSphere 5.1
- VMware vSphere 5.5
- VMware vSphere 6.0

\*3: Required for PRIMERGY servers.

\*4: Required when running VMware ESX/ESXi on managed servers.

Table A.6 VM Management Server

| Function Overview                     | Source       |         |                |              | Destination                           |         |       |              | Protocol |
|---------------------------------------|--------------|---------|----------------|--------------|---------------------------------------|---------|-------|--------------|----------|
|                                       | Servers      | Service | Port           | Modification | Servers                               | Service | Port  | Modification |          |
| vCenter Server                        | Admin server | -       | Variable value | -            | vCenter Server                        | -       | 443   | Not possible | tcp      |
| System Center Virtual Machine Manager | Admin server | -       | Variable value | -            | System Center Virtual Machine Manager | -       | 80    | Not possible | tcp      |
|                                       |              |         |                |              | WinRM                                 | 443     | 5985  |              |          |
| Oracle VM Manager V2.2                | Admin server | -       | Variable value | -            | Oracle VM Manager V2.2                | -       | 4443  | Not possible | tcp      |
| Oracle VM Manager V3.2 or later       | Admin server | -       | Variable value | -            | Oracle VM Manager V3.2 or later       | -       | 10000 | Not possible | tcp      |

Table A.7 Directory Service Server

| Function Overview  | Source       |         |                |              | Destination  |         |      |              | Protocol |
|--|--------------|---------|----------------|--------------|--|---------|------|--------------|----------|
|  | Servers      | Service | Port           | Modification | Servers  | Service | Port | Modification |          |
| Directory services provided with ServerView Operations Manager | Admin server | -       | Variable value | -            | Directory services provided with ServerView Operations Manager | ldaps   | 1474 | Possible     | tcp      |
| Active Directory   | Admin server | -       | Variable value | -            | Active Directory   | ldaps   | 636  | Possible     | tcp      |



Table A.8 ISM Server

| Function Overview | Source       |         |                |              | Destination |         |       |              | Protocol |
|-------------------|--------------|---------|----------------|--------------|-------------|---------|-------|--------------|----------|
|                   | Servers      | Service | Port           | Modification | Servers     | Service | Port  | Modification |          |
| Internal control  | Admin server | -       | Variable value | -            | ISM Server  | -       | 25566 | Possible     | tcp      |

Table A.9 DHCP Server

| Function Overview | Source       |         |                |              | Destination |         |       |              | Protocol |
|-------------------|--------------|---------|----------------|--------------|-------------|---------|-------|--------------|----------|
|                   | Servers      | Service | Port           | Modification | Servers     | Service | Port  | Modification |          |
| DHCP service      | Admin server | -       | Variable value | Not possible | DHCP Server | nfagent | 23458 | Possible     | tcp      |
|                   |              |         |                |              |             | tftp    | 69    | Not possible | udp      |
|                   |              |         |                |              |             | bootps  | 67    | Not possible | udp      |

Table A.10 NetApp Storage

| Function Overview | Source       |         |                |              | Destination |         |      |              | Protocol |
|-------------------|--------------|---------|----------------|--------------|-------------|---------|------|--------------|----------|
|                   | Servers      | Service | Port           | Modification | Servers     | Service | Port | Modification |          |
| NetApp storage    | Admin server | -       | Variable value | -            | Data ONTAP  | -       | 443  | Not possible | tcp      |

Table A.11 EMC CLARiiON Storage  
EMC VNX Storage

| Function Overview                       | Source         |         |                |              | Destination            |         |             |              | Protocol |
|---|----------------|---------|----------------|--------------|------------------------|---------|-------------|--------------|----------|
|   | Servers        | Service | Port           | Modification | Servers                | Service | Port        | Modification |          |
| EMC CLARiiON Storage<br>EMC VNX Storage | Navisphere CLI | -       | Variable value | -            | EMC Navisphere Manager | -       | 443 or 2163 | Not possible | tcp      |

Table A.12 EMC Symmetrix DMX Storage or EMC Symmetrix VMAX Storage

| Function Overview                                       | Source  |         |                |              | Destination   |         |      |              | Protocol |
|---|---------|---------|----------------|--------------|---------------|---------|------|--------------|----------|
|   | Servers | Service | Port           | Modification | Servers       | Service | Port | Modification |          |
| EMC Symmetrix DMX Storage or EMC Symmetrix VMAX Storage | SYMCLI  | -       | Variable value | -            | SYMAPI Server | -       | 2707 | Possible     | tcp      |

Table A.13 Storage Server on which FalconStor NSS operates

| Function Overview                               | Source         |         |                |              | Destination    |         |       |              | Protocol |
|---|----------------|---------|----------------|--------------|----------------|---------|-------|--------------|----------|
|   | Servers        | Service | Port           | Modification | Servers        | Service | Port  | Modification |          |
| Storage Server on which FalconStor NSS operates | SAN Client CLI | -       | Variable value | -            | FalconStor NSS | -       | 11582 | Not possible | tcp      |

Table A.14 VDI Management Server

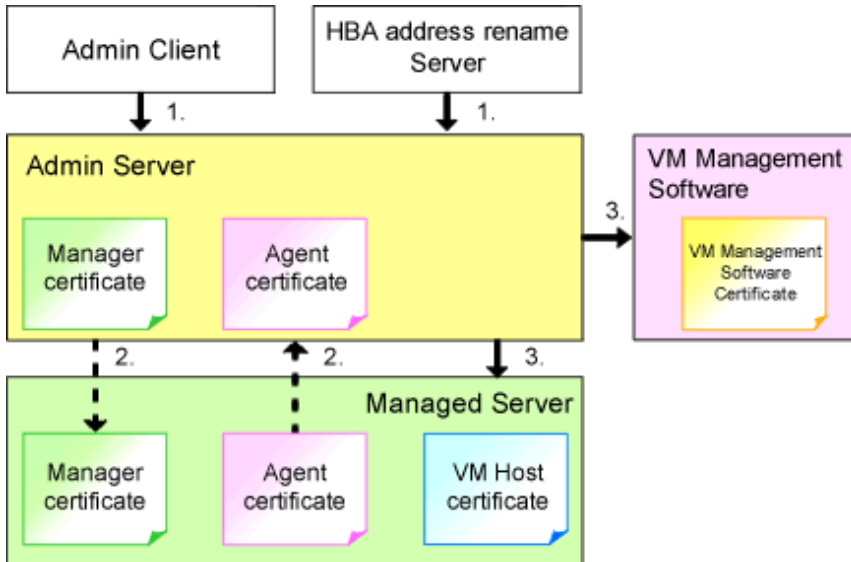
| Function Overview | Source                |         |                |              | Destination      |         |      |              | Protocol |
|-------------------|-----------------------|---------|----------------|--------------|------------------|---------|------|--------------|----------|
|                   | Servers               | Service | Port           | Modification | Servers          | Service | Port | Modification |          |
| vCenter Server    | VDI Management Server | -       | Variable value | -            | vCenter Server   | -       | 443  | Not possible | tcp      |
| Active Directory  | VDI Management Server | -       | Variable value | -            | Active Directory | ldaps   | 636  | Possible     | tcp      |

# Appendix B HTTPS Communications

This appendix explains the HTTPS communication protocol used by Resource Orchestrator and its security features.

Resource Orchestrator uses HTTPS communication for the three cases shown in the figure below. Certificates are used for mutual authentication and for encrypting communication data.

Figure B.1 HTTPS Communication



1. Between the Admin Client and the Admin Server, or Between the HBA address rename Server and the Admin Server

The admin client and HBA address rename server automatically obtain a certificate from the admin server at each connection. This certificate is used to encrypt the communicated data.

2. Between the Admin Server and Managed Servers (Communication with Agents)

Certificates are created on both the admin server and managed servers when Resource Orchestrator (manager or agent) is first installed. Certificates of other communication targets are stored at different timings, as described below (refer to "Certificate Creation Timing"). Those certificates are used for HTTPS communication based on mutual authentication.

When re-installing the manager, its agent certificates (stored on the admin server) are renewed. Because the renewed certificates differ from those stored on the agent side (on managed servers), agents are not able to communicate with the admin server. To avoid such communication issues, it is recommended to backup agent certificates (on the admin server) before uninstalling the manager, and restore them after re-installation. When re-installing the manager, back up the certificates referring to "11.1 Manager Uninstallation" in the "Setup Guide CE". When restoring the certificates, refer to "2.1 Manager Installation" in the "Setup Guide CE".

3. Between the Admin Server and Managed Servers (Communication with VM Hosts), or Between the Admin Server and VM Management Software [VMware]

The admin server obtains and stores certificates for each connection with a managed server (VM host) or VM management software. Those certificates are used to encrypt communications.

## Certificate Creation Timing

Between the Admin Client and the Admin Server, or Between the HBA address rename Server and the Admin Server

Certificates are automatically obtained each time HTTPS connections are established. They are not stored on the admin server.

Between the Admin Server and Managed Servers (Communication with Agents)

The certificates used for HTTPS communication are automatically exchanged and stored on the manager and agents on the following occasions:

- When registering a managed server

- Right after re-installing and starting an agent

Between the Admin Server and Managed Servers (Communication with VM Hosts), or Between the Admin Server and VM Management Software [VMware]

Certificates are automatically obtained each time HTTPS connections are established. They are not stored on the admin server.

## Types of Certificates

Resource Orchestrator uses the following certificates.

Between the Admin Client and the Admin Server, or Between the HBA address rename Server and the Admin Server

The public keys included in the certificates are created using X.509-based RSA encryption. These keys are 2048 bits long.

Between the Admin Server and Managed Servers (Communication with Agents)

The public keys included in the certificates are created using X.509-based RSA encryption. These keys are 2048 bits long.

Between the Admin Server and Managed Servers (Communication with VM Hosts), or Between the Admin Server and VM Management Software [VMware]

The public keys included in the certificates are created using X.509-based RSA encryption. The key length depends on the specifications of the VM host or the VM management software.

## Adding the Admin Server's Certificate to Client Browsers

Resource Orchestrator automatically generates a unique, self-signed certificate for each admin server during manager installation. This certificate is used for HTTPS communication with admin clients.

Use of self-signed certificates is generally safe within an internal network protected by firewalls, where there is no risk of spoofing attacks and communication partners can be trusted. However, Web browsers, which are designed for less-secure networks (internet), will see self-signed certificates as a security threat, and will display the following warnings.

- Warning dialog when establishing a connection

When opening a browser and connecting to the admin server for the first time, a warning dialog regarding the security certificate received from the admin server is displayed.

- Address bar and Phishing Filter warning in Internet Explorer

The background color of the address bar will become red and the words "Certificate Error" will be displayed on its right side of the address bar of the login screen, the ROR console, and BladeViewer.

Furthermore, the Phishing Filter may show a warning on the status bar.

When using Internet Explorer, the above warnings can be disabled by creating a certificate for the admin server's IP address or host name (FQDN) that is specified in the address bar's URL, and installing it to the browser.

On the admin server, a certificate for host name (FQDN) is automatically created during installation of the manager.

When using other servers as admin clients, use the following procedure to install the admin server's certificate on each client.

Therefore, the certificate creation step in the following procedure can be skipped when using the admin server as an admin client. In that case, use host name (FQDN) in the URL and proceed to step 2.

1. Create a Certificate
  - a. Open the command prompt on the admin server.
  - b. Execute the following command to move to the installation folder.

[Windows Manager]

```
>cd "Installation_folder\SVROR\Manager\sys\apache\conf" <RETURN>
```

[Linux Manager]

```
# cd /etc/opt/FJSVrcvnr/sys/apache/conf <RETURN>
```

- c. After backing up the current certificate, execute the certificate creation command bundled with Resource Orchestrator (openssl.exe).

When using the `-days` option, choose a value (number of days) large enough to include the entire period for which you plan to use Resource Orchestrator. However, the certificate's expiration date (defined by adding the specified number of days to the current date) should not go further than the 2038/1/19 date.

## Example

When the Manager is installed in the "C:\Fujitsu\ROR" folder, and generating a certificate valid for 15 years (or 5479 days, using the `-days 5479` option)

[Windows Manager]

```
>cd "C:\Fujitsu\ROR\SVROR\Manager\sys\apache\conf" <RETURN>
>..\..\bin\rcxmgrctl stop <RETURN>
>copy ssl.crt\server.crt ssl.crt\server.crt.org <RETURN>
>copy ssl.key\server.key ssl.key\server.key.org <RETURN>
>..\bin\openssl.exe req -new -x509 -nodes -sha256 -newkey rsa:2048 -out ssl.crt\server.crt -keyout ssl.key
\server.key -days 5479 -config openssl.cnf <RETURN>
Loading 'screen' into random state - done
Generating a 2048 bit RSA private key
.....++++++
.....++++++
writing new private key to 'ssl.key\server.key'
-----
You are about to be asked to enter information that will be incorporated
into your certificate request.
What you are about to enter is what is called a Distinguished Name or a DN.
There are quite a few fields but you can leave some blank
For some fields there will be a default value,
If you enter '.', the field will be left blank.
-----
Country Name (2 letter code) []: <RETURN>
State or Province Name (full name) []: <RETURN>
Locality Name (eg, city) [Kawasaki]: <RETURN>
Organization Name (eg, company) []: <RETURN>
Organizational Unit Name (eg, section) []: <RETURN>
Common Name (eg, YOUR name) [localhost]: IP_address or hostname (*) <RETURN>
Email Address []: <RETURN>
>..\..\bin\rcxmgrctl start <RETURN>
```

[Linux Manager]

```
# cd /etc/opt/FJSVrcvmr/sys/apache/conf <RETURN>
# /opt/FJSVrcvmr/bin/rcxmgrctl stop <RETURN>
# cp ssl.crt/server.crt ssl.crt/server.crt.org <RETURN>
# cp ssl.key/server.key ssl.key/server.key.org <RETURN>
# /opt/FJSVrcvmr/sys/apache/bin/openssl req -new -x509 -nodes -sha256 -newkey rsa:2048 -out ssl.crt/
server.crt -keyout ssl.key/server.key -days 5479 -config /opt/FJSVrcvmr/sys/apache/ssl/openssl.cnf
<RETURN>
Generating a 2048 bit RSA private key
.....++++++
.....++++++
writing new private key to 'ssl.key/server.key'
-----
You are about to be asked to enter information that will be incorporated
into your certificate request.
```

```

What you are about to enter is what is called a Distinguished Name or a DN.
There are quite a few fields but you can leave some blank
For some fields there will be a default value,
If you enter '.', the field will be left blank.
-----
Country Name (2 letter code) []: <RETURN>
State or Province Name (full name) []: <RETURN>
Locality Name (eg, city) [Kawasaki]: <RETURN>
Organization Name (eg, company) []: <RETURN>
Organizational Unit Name (eg, section) []: <RETURN>
Common Name (eg, YOUR name) [localhost]: IP_address or hostname (*) <RETURN>
Email Address []: <RETURN>

# /opt/FJSVrcvmr/bin/rcxmgrctl start <RETURN>

```

\* Note: Enter the IP address to be entered in the Web browser or the host name (FQDN).

### Example

```

IP address: 192.168.1.1
Host name: myhost.company.com

```

## 2. Add the Certificate to the Web Browser

### Internet Explorer

Open the Resource Orchestrator login screen, referring to "Chapter 3 Login to the ROR Console" in the "Setup Guide VE". When opening the ROR console, enter the same IP address or host name (FQDN) as that used to generate the certificate in the previous step. Once the login screen is displayed, perform the following operations.

- a. Open the [Certificate] dialog.
 

Open the "Certificate is invalid dialog" by clicking the "Certificate Error" displayed in the address bar in Internet Explorer. This will open an "Untrusted Certificate" or "Certificate Expired" message.  
Click the "View certificates" link displayed at the bottom of this dialog.
- b. Confirm that the "Issued to" and "Issued by" displayed in the [Certificate] dialog are both set to the IP address or host name (FQDN) used to generate the certificate.
- c. In the [Certificate] dialog, click [Install Certificate].
 

The [Certificate Import Wizard] dialog is displayed.
- d. Click [Next>].
- e. Select "Place all certificates in the following store".
- f. Click [Browse].
 

The [Select Certificate Store] dialog is displayed.
- g. Select "Trusted Root Certification Authorities".
- h. Click [OK].
- i. Click [Next>].
- j. Check that "Trusted Root Certification Authorities" is selected.
- k. Click [Finish].
  - l. Restart the Web browser.

If multiple admin clients are used, perform this operation on each admin client.

## Firefox

Open the Resource Orchestrator login screen, referring to "Chapter 1 Login and Logout" in the "User's Guide VE".

If the [This Connection is Untrusted] window is displayed, perform the following procedure:

- a. Select <I Understand the Risks> and click the <Add Exception> button.  
The [Add Security Exception] window is displayed.
- b. In the [Add Security Exception] window, click the <View> button.  
The [Certificate Viewer] is displayed.
- c. In the [Certificate Viewer], ensure that the certificate and the issuer have an IP address or hostname (FQDN) specified.
- d. In the [Add Security Exception] window, click the <Confirm Security Exception> button.

After logging in and clicking a tab, the [**This Connection is Untrusted**] window may be displayed.

If this occurs, perform the following procedure:

- a. In the [Options] window, click the <Advanced>, and then the <Encryption> tab.
- b. Click the <View Certificates> button.  
The [Certificate Manager] window is displayed.
- c. Select the <Servers> tab, and then click the <Add Exception> button.  
The [Add Security Exception] window is displayed.
- d. In the [Add Security Exception] window, enter the URL displayed in the [This Connection is Untrusted] window, and then click <Get Certificate>.
- e. Click the <View> button to display the [Certificate Viewer].
- f. In the Certificate Viewer, ensure that the certificate and the issuer have an IP address or hostname (FQDN) specified.
- g. In the [Add Security Exception] window, click the <Confirm Security Exception> button.
- h. Click the <OK> button.

### Note

- Enter the IP address or host name (FQDN) used to generate the certificate in the Web browser's URL bar. If the entered URL differs from that of the certificate, a certificate warning is displayed.

### Example

A certificate warning is displayed when the following conditions are met.

- The entered URL uses an IP address while the certificate was created using a host name (FQDN)
  - The admin server is set with multiple IP addresses, and the entered URL uses an IP address different from that used to generate the certificate
- When using Firefox on Windows OS, the certificate needs to be installed to the OS via Internet Explorer.

# Appendix C Hardware Configuration

This appendix explains how to configure hardware.

## C.1 Connections between Server Network Interfaces and L2 Switch Ports

Configuring VLAN settings on internal L2 switch ports requires an understanding of the network connections between LAN switches and physical servers (between L2 switch ports and the network interfaces mounted in each server).

This section shows which network interfaces (on PRIMERGY BX600 server blades) are connected to which LAN switch blade ports. For servers other than PRIMERGY BX servers, refer to the server manual for details on the connections between server blades and LAN switch blades.

The connections between server blades and LAN switch blades are shown in the following table.

Table C.1 Connections between Server Blades and LAN Switch Blades (PG-SW107)

| NIC index | NIC placement (on a server blade) | Connected port number (on a LAN switch blade) |
|-----------|-----------------------------------|---|
| Index 1   | Onboard LAN1                      | NET1 port "3N-2"                              |
| Index 2   | Onboard LAN2                      | NET2 port "3N-2"                              |
| Index 3   | Onboard LAN3                      | NET1 port "3N-1"                              |
| Index 4   | Onboard LAN4                      | NET2 port "3N-1"                              |
| Index 5   | Onboard LAN5                      | NET1 port "3N"                                |
| Index 6   | Onboard LAN6                      | NET2 port "3N"                                |
| Index 7   | LAN expansion card LAN1           | NET3 port "N"                                 |
| Index 8   | LAN expansion card LAN2           | NET4 port "N"                                 |

N: Slot number of the connected server blade

PG-SW104/105/106 is mounted in NET3 and NET4.

For details, refer to the chassis hardware manual.

Table C.2 Connections between Server Blades and LAN Switch Blades (PG-SW104/105/106)

| NIC index | NIC placement (on a server blade) | Connected port number (on a LAN switch blade) |
|-----------|-----------------------------------|---|
| Index 1   | Onboard LAN1                      | NET1 port "N"                                 |
| Index 2   | Onboard LAN2                      | NET2 port "N"                                 |
| Index 3   | LAN expansion card LAN1           | NET3 port "N"                                 |
| Index 4   | LAN expansion card LAN2           | NET4 port "N"                                 |
| Index 5   | -                                 | -   |
| Index 6   | -                                 | -   |
| Index 7   | -                                 | -   |
| Index 8   | -                                 | -   |

-: None

N: Slot number of the connected server blade





VLAN settings cannot be configured on the following devices.

- PRIMERGY BX600 Ethernet Blade Panel 1Gb 10/6 (IBP 10/6) and 30/12 (IBP 30/12)
- A L2 switch directly connected to a PRIMERGY BX 600 LAN pass-thru blade
- A L2 switch directly connected to servers other than PRIMERGY BX servers

LAN switch blade product names may differ between countries.

This section refers to the product names used in Japan.

The following table shows product references often used in other countries.

| Reference | Product Name  |
|-----------|---|
| PG-SW104  | PRIMERGY BX600 Switch Blade (1Gbps)<br>PRIMERGY BX600 Ethernet Switch 1GB 10/6(SB9)         |
| PG-SW105  | PRIMERGY BX600 Switch Blade (10Gbps)<br>PRIMERGY BX600 Ethernet Switch 1GB 10/6+2(SB9)      |
| PG-SW106  | Cisco Catalyst Blade Switch 3040<br>PRIMERGY BX600 Ethernet Switch 1GB 10/6(Cisco CBS 3040) |
| PG-SW107  | PRIMERGY BX600 Switch Blade (1Gbps)<br>PRIMERGY BX600 Ethernet Switch 1GB 30/12(SB9F)       |

## C.2 WWN Allocation Order during HBA address rename Configuration

This section explains the order in which WWNs are allocated during configuration of HBA address rename.

With HBA address rename, as WWNs are allocated to the I/O addresses of HBAs in descending order, the order may not match the port order listed in the HBA.

When specifying the locations for WWN allocation, check the I/O addresses of HBAs.

The I/O addresses of HBAs can be confirmed using tools provided by HBA vendors or FC-HBA BIOS.

- For blade servers



For a blade server with an HBA with 2 ports, allocation is performed as follows:

```

WWN value provided by "I/O Virtualization Option": 20:00:00:17:42:51:00:00
WWNN value for ports 1 and 2 of the HBA           : 20:00:00:17:42:51:00:00
WWPN value for HBA port 1                         : 9:00:00 PM:17:42:51:00:00
WWPN value for HBA port 2                         : 10:00:00 PM:17:42:51:00:00

```

- For rack mount or tower servers

For the PCI slots of rack mount or tower servers, WWNs are allocated in the following order:

```

PRIMERGY RX200 S4   slot2 -> slot1 -> slot3
PRIMERGY RX200 S5 or later slot1 -> slot2 -> slot3
PRIMERGY RX300 S4   slot5 -> slot6 -> slot1 -> slot7 -> slot4 -> slot2 -> slot3
PRIMERGY RX300 S5 or later slot2 -> slot3 -> slot4 -> slot5 -> slot6 -> slot7 -> slot1
PRIMERGY RX600 S4   slot6 -> slot3 -> slot4 -> slot1 -> slot2 -> slot7 -> slot5
PRIMERGY RX600 S5   slot7 -> slot6 -> (slot5 -> slot8 -> slot9 -> slot10) -> slot4 -> slot3 -> slot2
-> slot1
PRIMERGY RX600 S6   slot7 -> slot6 -> (slot5 -> slot8 -> slot9 -> slot10) -> slot4 -> slot3 -> slot2
-> slot1

```

```

PRIMERGY RX2520 M1 slot4 -> slot5 -> slot6 -> slot2 -> slot3 -> slot1
PRIMERGY RX4770 M1 slot9 -> slot8 -> slot10 -> slot5 -> slot6 -> slot7 -> slot4 -> slot3 -> slot2
-> slot1
PRIMERGY TX300 S4 slot5 -> slot6 -> slot1 -> slot7 -> slot4 -> slot2 -> slot3
PRIMERGY TX300 S5 (slot7) -> slot6 -> slot5 -> slot4 -> slot3 -> slot2 -> (slot1)
PRIMERGY TX300 S6 slot5 -> slot6 -> slot1 -> slot7 -> slot4 -> slot2 -> slot3

```

In a single PCI slot, allocate WWNs in the following order:

```
port 2 -> port 1
```

### Example

When one port HBAs are mounted in slot 2 and slot 3 of an RX600 S4, WWNs are allocated in the following order:

```
slot 3 -> slot 2
```

```

WWN value provided by "I/O Virtualization Option": 20:00:00:17:42:51:00:00
WWNN value for slots 2 and 3 of the HBA           : 20:00:00:17:42:51:00:00
WWPN value for HBA slot 2                         : 22:00:00:17:42:51:00:00
WWPN value for HBA slot 3                         : 21:00:00:17:42:51:00:00

```

When two port HBAs are mounted in slot 2 of an RX600 S4, WWNs are allocated in the following order:

```
slot 2 (port 2) -> slot 2 (port 1)
```

```

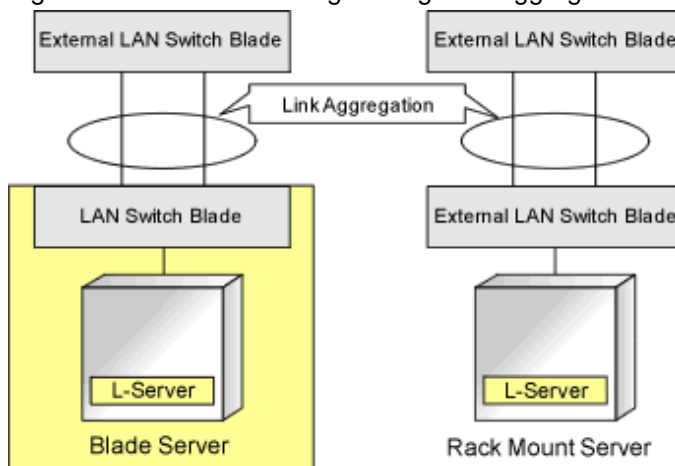
WWN value provided by "I/O Virtualization Option": 20:00:00:17:42:51:00:00
WWNN value for ports 1 and 2 of the HBA           : 20:00:00:17:42:51:00:00
WWPN value for HBA port 1                         : 10:00:00 PM:17:42:51:00:00
WWPN value for HBA port 2                         : 9:00:00 PM:17:42:51:00:00

```

## C.3 Using Link Aggregation

This section explains the procedure to use Resource Orchestrator and link aggregation at the same time. By using link aggregation between switches, it is possible to increase the bandwidth and reliability of the network used by L-Servers.

Figure C.1 Connection Image Using Link Aggregation



### C.3.1 Configuration of Link Aggregation and a Server

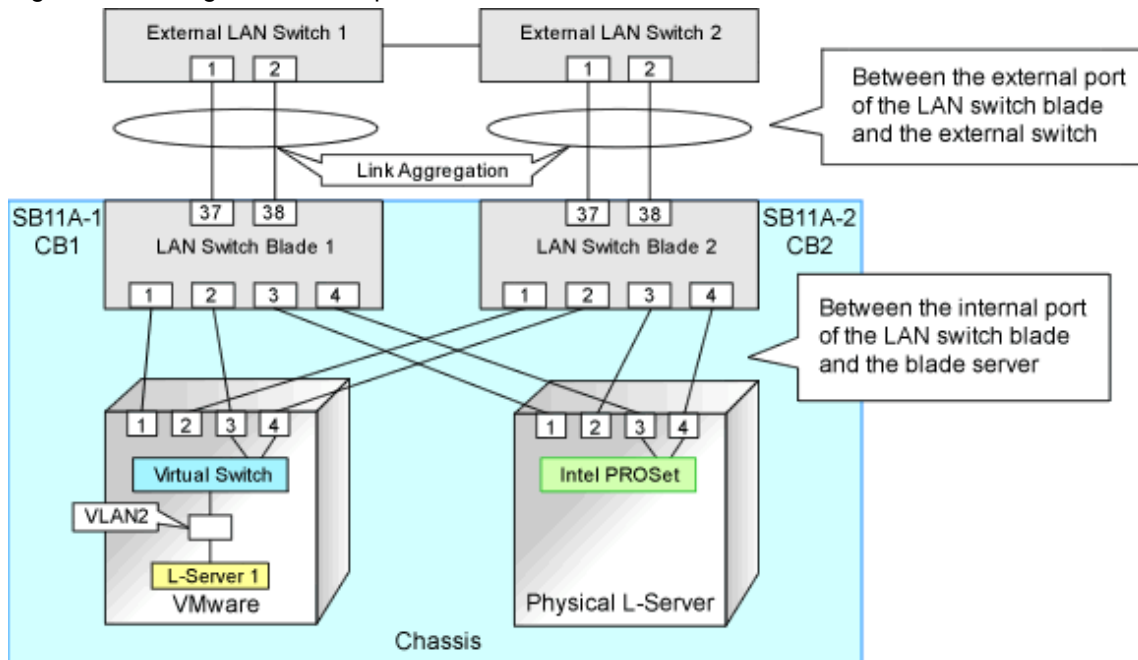
This section explains about link aggregation configuration.

## Configuration for Blade Servers

Connect an external port of a LAN switch blade and an external port using link aggregation. Usually, link aggregation is not used for connecting an internal port of a LAN switch blade and a blade server.

In "Figure C.2 Configuration Example for Blade Servers", Intel PROSet is used for configuring the NIC on a physical L-Server in active/standby. In VMware, the NICs in a VM host are configured in active/standby using VM host functions.

Figure C.2 Configuration Example for Blade Servers



## Configuration for Rack Mount Servers

Usually, link aggregation is not used between rack mount servers and switches that are directly connected to rack mount servers. Link aggregation can be used between switches.

## C.3.2 Preparations

Preparations should be performed by infrastructure administrators.

### Defining VLAN IDs for Network Resources

Define a VLAN ID for use on Resource Orchestrator. For "Figure C.2 Configuration Example for Blade Servers" in "C.3.1 Configuration of Link Aggregation and a Server", define VLAN IDs for ports 37 and 38.

### Link Aggregation Configuration for LAN Switch Blades

This section explains how to configure link aggregation for LAN switch blades.

#### When Using LAN Switch Blade PY CB Eth Switch/IBP 10Gb 18/8

The following settings are possible for PY CB Eth Switch/IBP 10Gb 18/8 LAN switch blades.

- VLAN settings to the link aggregation configuration port
- Setting link aggregation groups in the external ports of network resources, and VLAN auto-configuration

The following shows the procedure for setting link aggregation in PY CB Eth Switch/IBP 10Gb 18/8 LAN switch blades.

1. Set link aggregation for the external port of the LAN switch blade.

From the admin console of the LAN switch blade, configure link aggregation for the LAN switch blade and enable LLDP.  
Do not set VLAN if VLAN auto-configuration is to be used.  
Refer to the manual for the LAN switch blade for information on how to configure it.

2. Configure link aggregation and a VLAN on the adjacent network devices.

Refer to the manual for the network device for information on how to configure it.

3. Reflect the configuration information for the link aggregation of the LAN switch blade on this product.

Right-click the target LAN switch blade from the ROR console server resource tree.

In the displayed menu, click <Update> and reflect the configuration information for the link aggregation of the LAN switch blade on this product.

4. Confirm that the configuration information for the link aggregation of the LAN switch blade has been reflected on this product.

Select the target LAN switch blade from the server resource tree on the ROR console, and display the [Resource Details] tab.

Check if the link aggregation configuration information configured in step 1 is displayed in "Link Aggregation Group" on the [Resource Details] tab.

When the link aggregation configuration information configured in step 1 is not displayed, check the settings are configured in step 1 and 2, and then perform step 3 again.

5. Create a network resource.

Refer to "[Create Network Resources](#)" in "[C.3.3 Operating Resource Orchestrator](#)" for information on creating network resources.

#### **When Using a LAN Switch Blade Other Than PY CB Eth Switch/IBP 10Gb 18/8**

The following shows the procedure for setting link aggregation in LAN switch blades other than PY CB Eth Switch/IBP 10Gb 18/8.

1. Set link aggregation for the external port of the LAN switch blade.

Do not set VLAN if VLAN auto-configuration is to be used.

Refer to the manual for the network device for information on how to configure it.

2. Configure link aggregation and a VLAN on the adjacent network devices.

Refer to the manual for the network device for information on how to configure it.

3. Reflect the configuration information for the link aggregation of the LAN switch blade on this product.

Right-click the target LAN switch blade from the ROR console server resource tree.

In the displayed menu, click <Update> and reflect the configuration information for the link aggregation of the LAN switch blade on this product.

4. Confirm that the configuration information for the link aggregation of the LAN switch blade has been reflected on this product.

Select the target LAN switch blade from the server resource tree on the ROR console, and display the [Resource Details] tab.

Check if the link aggregation configuration information configured in step 1 is displayed in "Link Aggregation Group" on the [Resource Details] tab.

When the link aggregation configuration information configured in step 1 is not displayed, check the settings are configured in step 1 and 2, and then perform step 3 again.

5. Create a network resource.

Refer to "[Create Network Resources](#)" in "[C.3.3 Operating Resource Orchestrator](#)" for information on creating network resources.

#### **Example Settings for Link Aggregation Settings to the LAN Switch Blade (for PY CB Eth Switch/IBP 1Gb 36/8+2 LAN Switch Blades)**

The following shows the procedure for setting link aggregation in a PY CB Eth Switch/IBP 1Gb 36/8+2 LAN switch blade.

1. Create a link aggregation (port channel) group.

2. Set the port channel group's mode to LACP.

3. Include the uplink port of the LAN switch blade used in link aggregation in the port channel.

4. Create a VLAN in the switch.
5. Include the port channel into the created VLAN.

Log in to the two LAN switch blades and execute the command to configure them.

The following is an example of how to set the link aggregation for 1 LAN switch blade. For details, refer to the manual of the LAN switch blade.

- Create a port channel and configure external ports.

```
#port-channel pc-1 <RETURN>                                Create port channel
Interface BX900-CB1/1/1 created for port-channel pc-1
#interface BX900-CB1/1/1 <RETURN>                          Configure a port channel
#no staticcapability <RETURN>                             Configure static link aggregation (for
LACP)

#exit <RETURN>
#interface range 0/37 - 0/38 <RETURN>                     Configure an uplink port
#channel-group BX900-CB1/1/1 <RETURN>

#exit <RETURN>
#exit <RETURN>
#show port-channel all <RETURN>                            Check the configuration
Port- Link
Log. Channel Adm. Trap STP Mbr Port Port
Intf          Name  Link  Mode  Mode  Mode  Type  LB   Ports          Speed
Active
-----
-----
BX900-CB1/1/1 pc-1  Down  En.   En.   En.   St.   SDM  BX900-CB1/0/37 Auto
False
                                           BX900-CB1/0/38 Auto
False
```

Confirm that the port channel has been created and the specified port is configured properly.

- Create a VLAN

```
#configure <RETURN>
#vlan database <RETURN>
#vlan 2 <RETURN>                                           Create VLAN ID2
#exit <RETURN>
#exit <RETURN>
#show vlan <RETURN>
VLAN ID  VLAN Name  VLAN Type  Interface(s)
-----
2         VLAN0002  Static
```

Confirm that VLAN ID2 has been created.

- Configure a port channel on the VLAN

```
#configure <RETURN>
#interface BX900-CB1/1/1 <RETURN>
#switchport allowed vlan add 2 tagging <RETURN>
#exit <RETURN>
#exit <RETURN>
#show vlan id 2 <RETURN>

VLAN ID: 2
VLAN Name: VLAN0002
VLAN Type: Static
```

| Interface     | Current | Configured | Tagging |
|---------------|---------|------------|---------|
| -----         | -----   | -----      | -----   |
| BX900-CB1/1/1 | Include | Autodetect | Tagged  |

Confirm that the port channel is configured properly on the VLAN.

### Example Settings for Link Aggregation Settings to the LAN Switch Blade (for PY CB Eth Switch/IBP 10Gb 18/8 LAN Switch Blades)

The following shows the procedure for setting link aggregation in PY CB Eth Switch/IBP 10Gb 18/8 LAN switch blades.

1. Set the external ports (uplink ports) of all of the LAN switch blades included in the link aggregation so that they use all the same VLAN.
2. Set link aggregation groups for all of the external ports included in the link aggregation.
3. Enable the LLDP of all of the external ports included in the link aggregation.  
When setting LLDP, disable the setting for [VLAN name information]. Make the other settings valid.

Log in to the two LAN switch blades and execute the command to configure them.

The following is an example of how to set the link aggregation for 1 LAN switch blade. For details, refer to the manual of the LAN switch blade.

- Link aggregation of two external ports (0/19 and 0/20)

```
# configure <RETURN>
(config)# interface range 0/19-0/20 <RETURN>
(config-if)# vlan untag 10 <RETURN>
(config-if)# vlan tag 20 <RETURN>
(config-if)# type linkaggregation 1 <RETURN>
```

- Enable the LLDP of the external port

```
(config-if)# lldp mode enable <RETURN>
(config-if)# lldp info vlan-name disable <RETURN>
(config-if)# exit <RETURN>
(config)# save <RETURN>
```

### Note

- For a PY CB Eth Switch/IBP 10Gb 18/8 LAN switch blade, if the member ports of the link aggregation meet any of the following conditions, this product will be unable to recognize the information for the member ports of the link aggregation.
  - When the LLDP of link aggregation member port is disable or receive
  - When the VLAN of the member ports of the link aggregation are different to other member ports
  - When the "VLAN Name" of the LLDP of the member ports of the link aggregation is enabled

#### Example of LAN switch blade settings when the LLDP is disable

```
(config)# interface range 0/19-0/20 <RETURN>
(config-if)# vlan untag 10 <RETURN>
(config-if)# vlan tag 20 <RETURN>
(config-if)# type linkaggregation 1 <RETURN>
(config-if)# lldp mode disable <RETURN>
(config-if)# exit <RETURN>
(config)# save <RETURN>
```

Link aggregation information recognized by this product

Link aggregation group name: linkaggregation1

Member port : -

---

### **C.3.3 Operating Resource Orchestrator**

---

#### **Create Network Resources**

Network resources should be created by infrastructure administrators.

For details on parameters to configure, refer to "14.3 Network Resources" in the "User's Guide for Infrastructure Administrators (Resource Management) CE".

#### **L-Server creation**

L-Servers should be created by infrastructure administrators.

Specify the created network resources and create an L-Server.

#### **Communication Checks between L-Servers and External Devices**

Communication between L-Server and devices outside the chassis should be checked by tenant administrators. Enable the TCP/IP protocol. Link aggregation configuration can be used to check whether L-Servers can operate.

# Appendix D Preparations for Creating a Physical L-Server

This appendix explains how to perform configuration when creating a physical L-Server.

## D.1 System Configuration

---

This section explains system configuration when creating a physical L-Server.

### Prerequisites

When creating a physical L-Server, I/O virtualization using VIOM, ISM, or HBA address rename is required.

For details on VIOM, refer to the ServerView Virtual-IO Manager manual.

For details on ISM, refer to the manuals of ServerView Infrastructure Manager.

For details on HBA address rename, refer to "5.5.2 HBA address rename Settings" in the "User's Guide for Infrastructure Administrators (Resource Management) CE".

The usage methods of VIOM, ISM, and HBA address rename differ depending on the hardware of managed servers used to configure a physical L-Server.

- Blade Servers

Use VIOM.

- Rack Mount Servers

Use HBA address rename or ISM.

When using rack mount servers that are supported by VIOM, the target servers are managed by VIOM.

In other cases, link L-Servers with configured physical servers. For details, refer to "Chapter 18 Linking L-Servers with Configured Physical Servers or Virtual Machines" in the "User's Guide for Infrastructure Administrators (Resource Management) CE".



### Note

When using iSCSI boot, VIOM is required in the server environment.

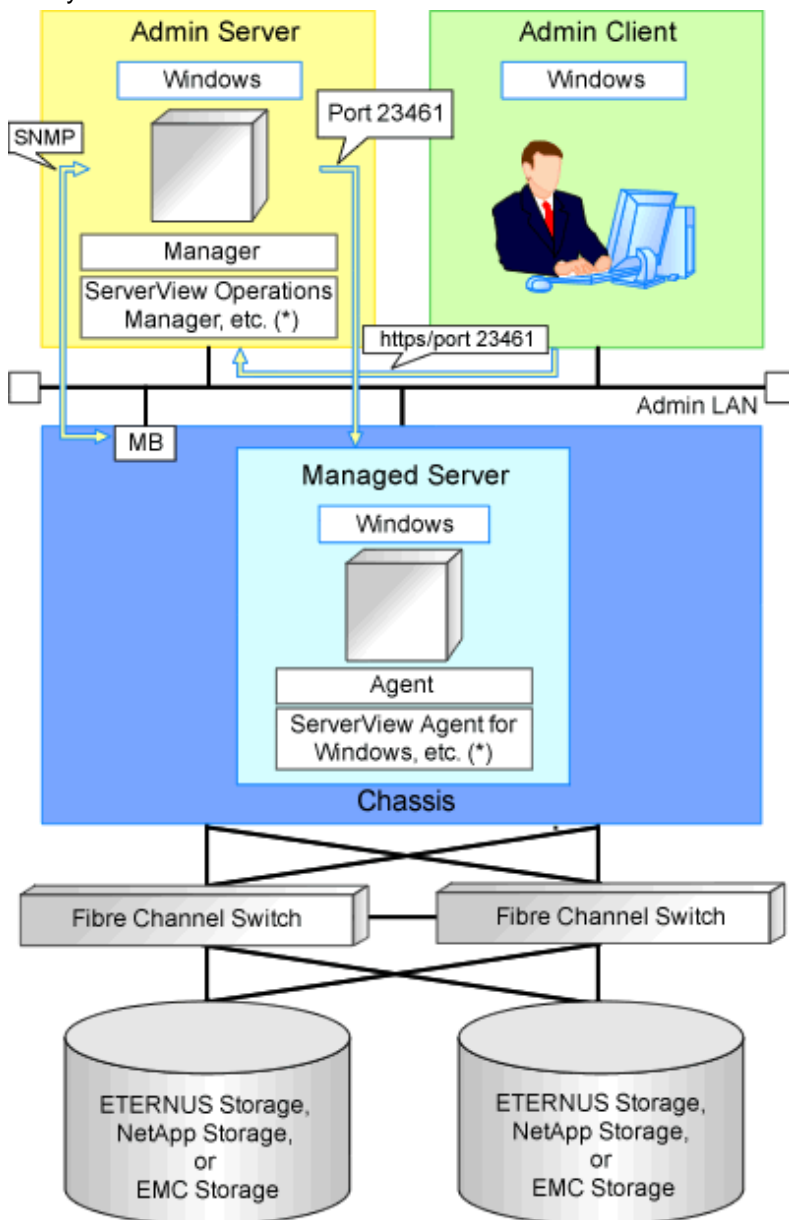
### Example of System Configuration Using VIOM's Virtual I/O

An example system configuration for L-Server creation using Virtual I/O by VIOM is given below.

Install ServerView Virtual-IO Manager on the admin server.



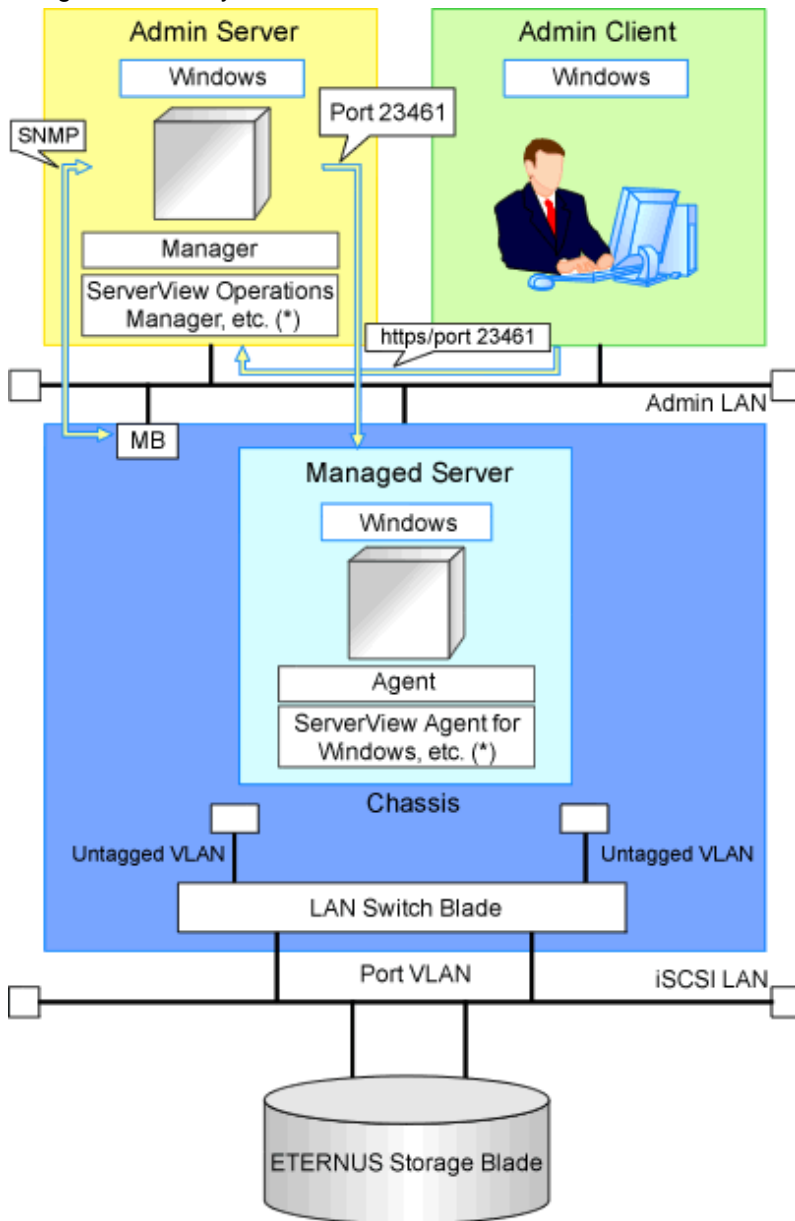
Figure D.1 Example of System Configuration for L-Server Creation in a SAN Storage Environment Using Virtual I/O by VIOM



MB: Management Blade

\* Note: For details of the required software, refer to "6.1.2.4 Required Software" in the "Overview".

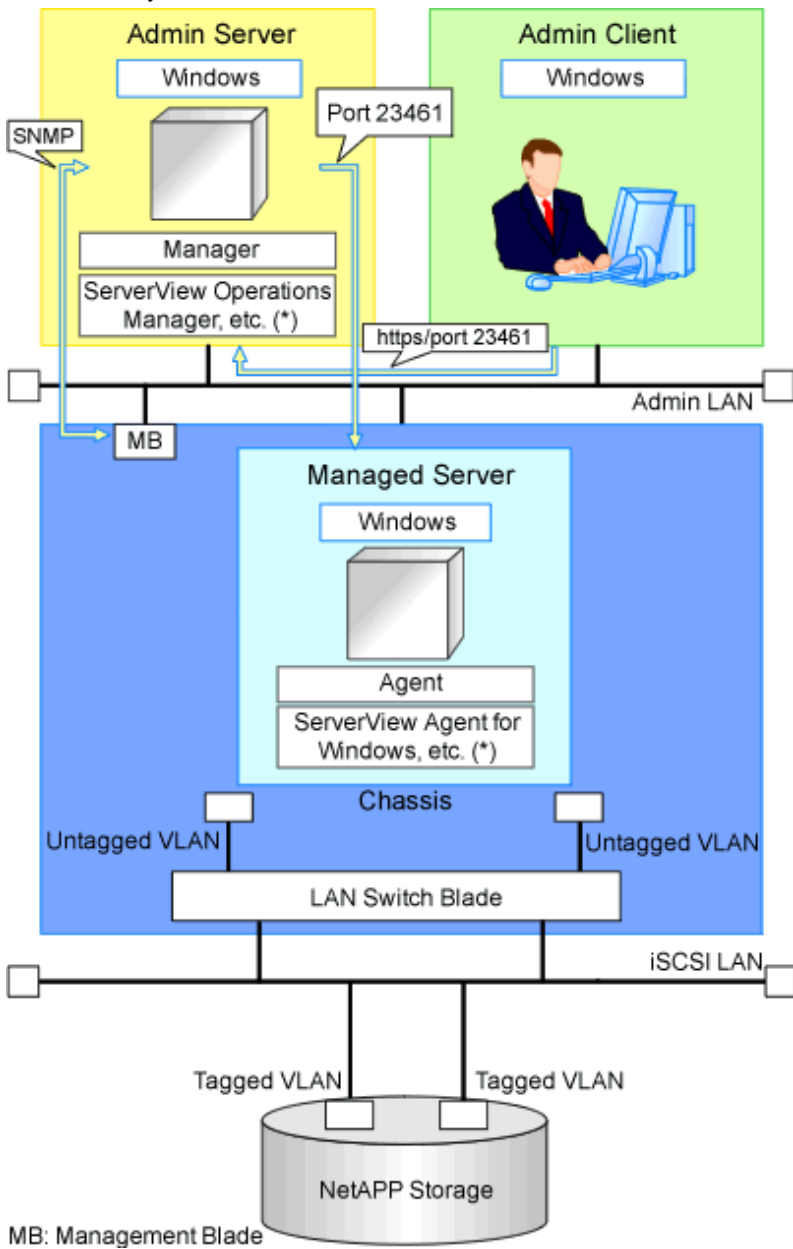
Figure D.2 Example of System Configuration for L-Server Creation in an ETERNUS-iSCSI Storage Environment using Virtual I/O by VIOM



MB: Management Blade

\* Note: For details of the required software, refer to "6.1.2.4 Required Software" in the "Overview".

Figure D.3 Example of System Configuration for L-Server Creation in a NetApp-iSCSI Storage Environment using Virtual I/O by VIOM



\* Note: For details of the required software, refer to "6.1.2.4 Required Software" in the "Overview".

### Example of System Configuration Using I/O Virtualization Using ISM

An example system configuration for L-Server creation using I/O virtualization using ISM is given below.

Install the ServerView Infrastructure Manager virtual appliance on a server other than the admin server.

Figure D.4 Example of System Configuration Using I/O Virtualization Using ISM (With an External DHCP Server)

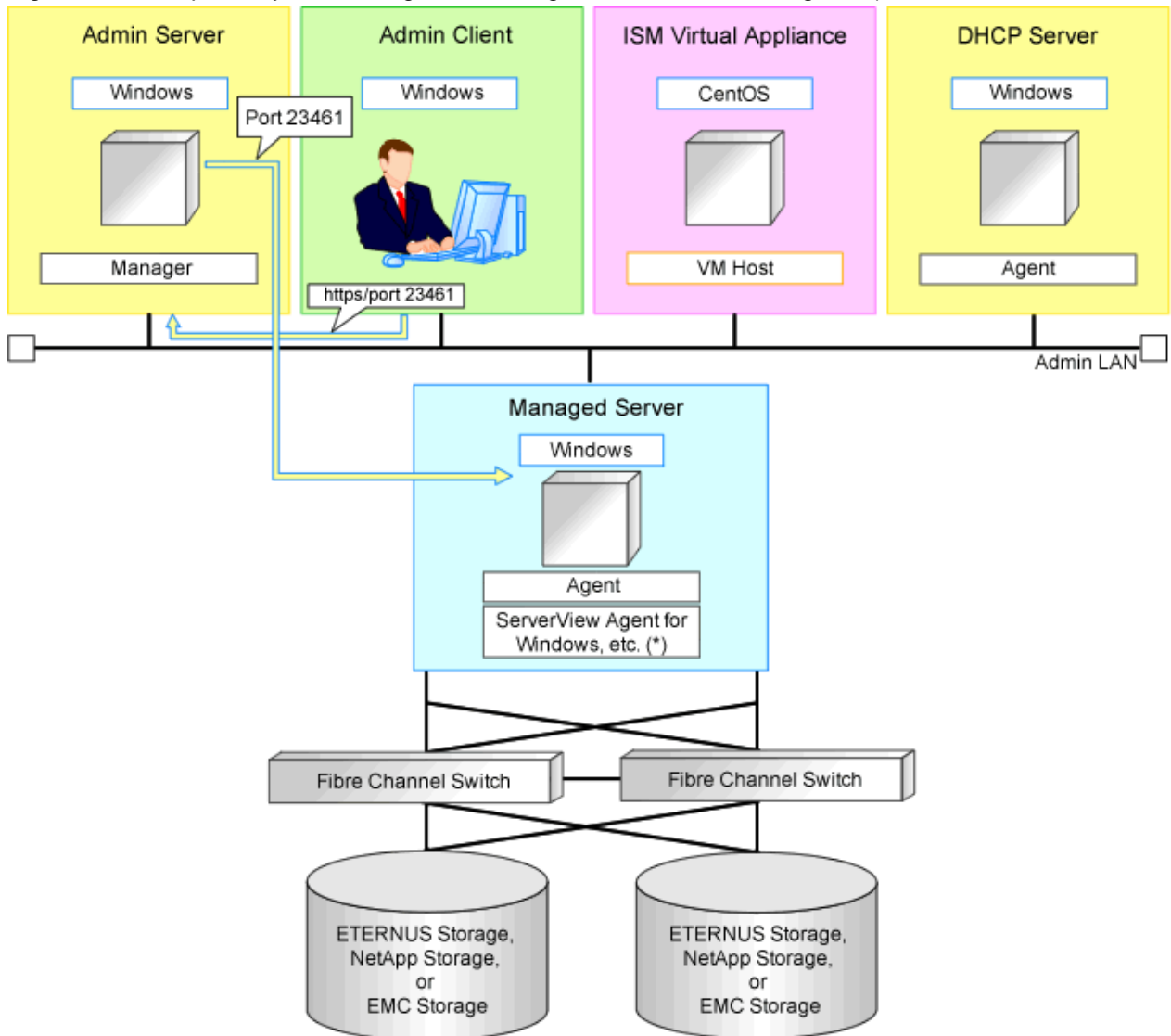
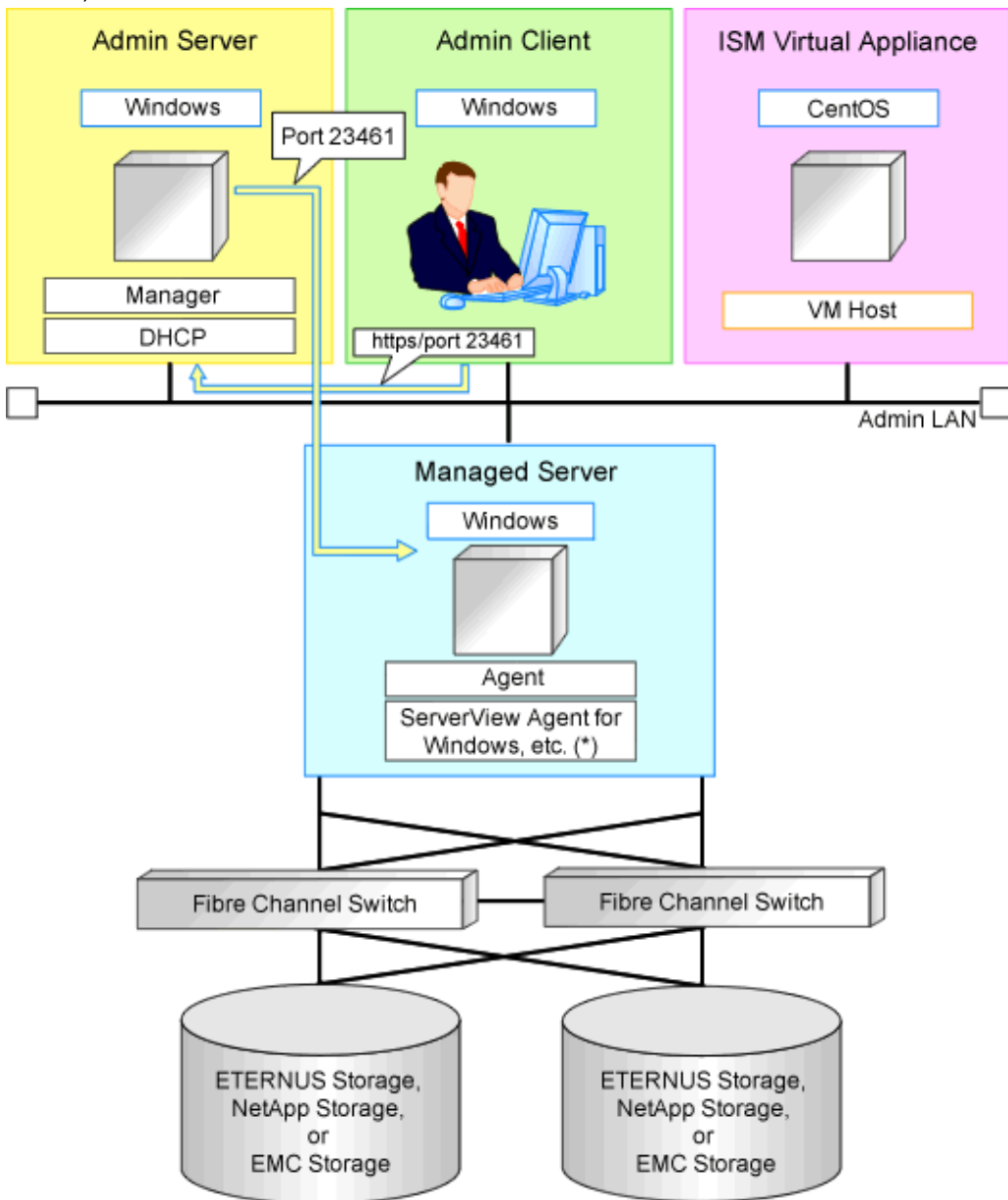


Figure D.5 Example of System Configuration Using I/O Virtualization Using ISM (Without an External DHCP Server)

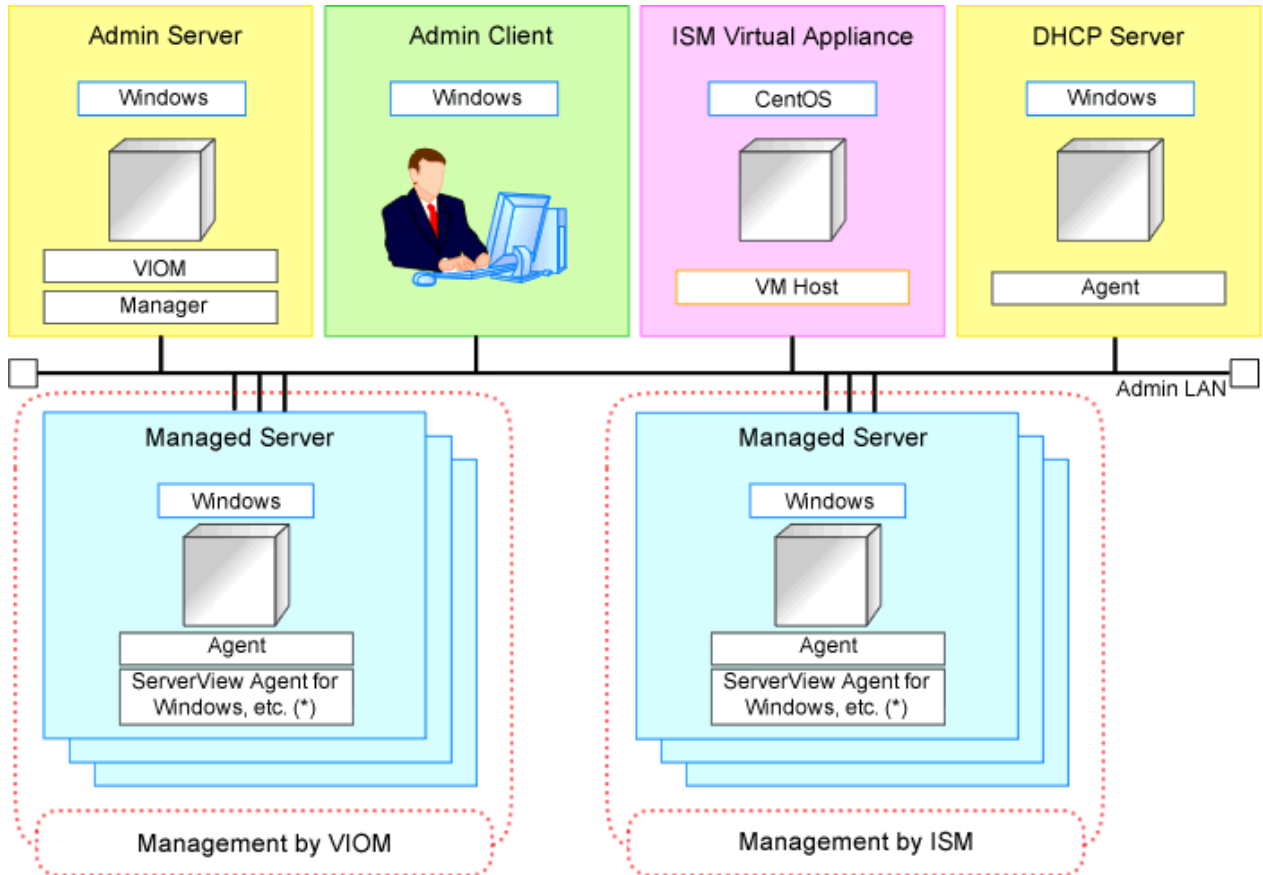


**Example of System Configuration Using I/O Virtualization (In an Environment in which ISM and VIOM Co-Exist)**

An example system configuration in an environment in which ISM and VIOM co-exist is given below.

- The PRIMERGY BX managed servers are registered for management by VIOM.
- The PRIMERGY RX managed servers are registered for management by ISM.

Figure D.6 Sample System Configuration in an Environment in which ISM and VIOM Co-Exist

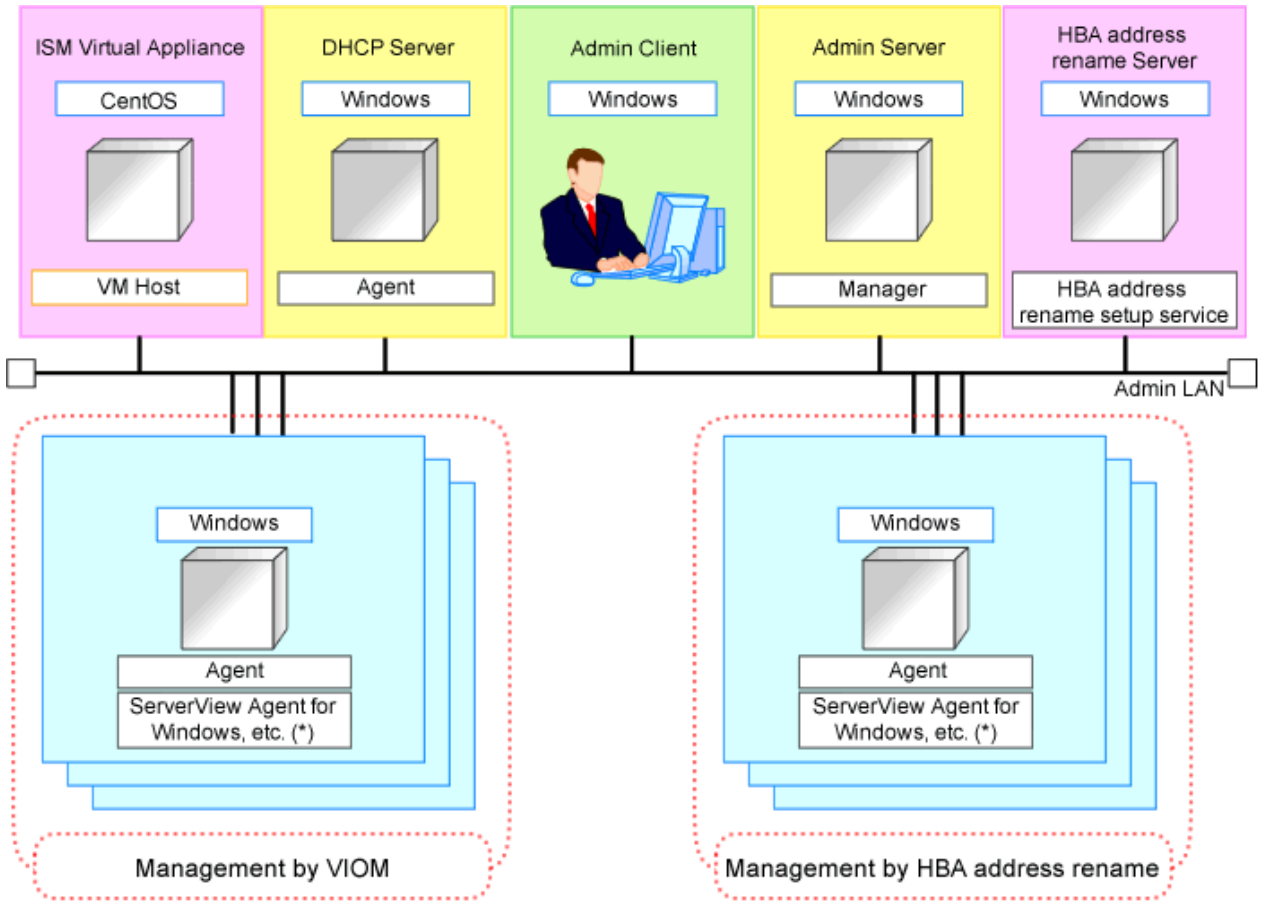


**Example of System Configuration Using I/O Virtualization (In an Environment in which ISM and HBA address rename Co-Exist)**

An example system configuration in an environment in which ISM and HBA address rename co-exist is given below.

- None of the managed servers are managed by both ISM and HBA address rename.

Figure D.7 Sample System Configuration in an Environment in which ISM and HBA address rename Co-Exist

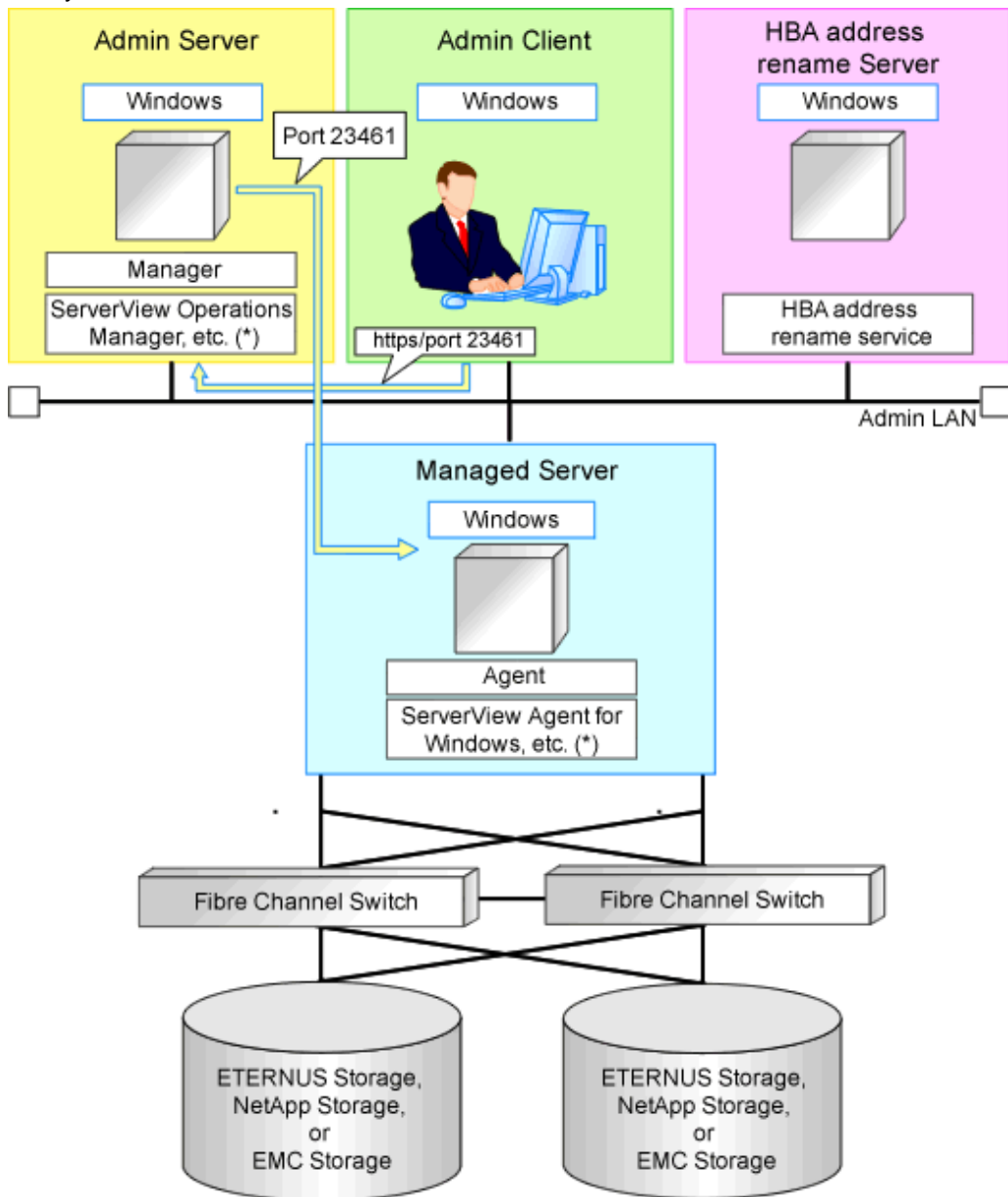


**Example of System Configuration Using Virtual I/O by HBA address rename**

An example of system configuration for L-Server creation using Virtual I/O by HBA address rename is given below.

Prepare a server to configure the HBA address rename setup service.

Figure D.8 Example of System Configuration for L-Server Creation in a SAN Storage Environment Using Virtual I/O by HBA address rename



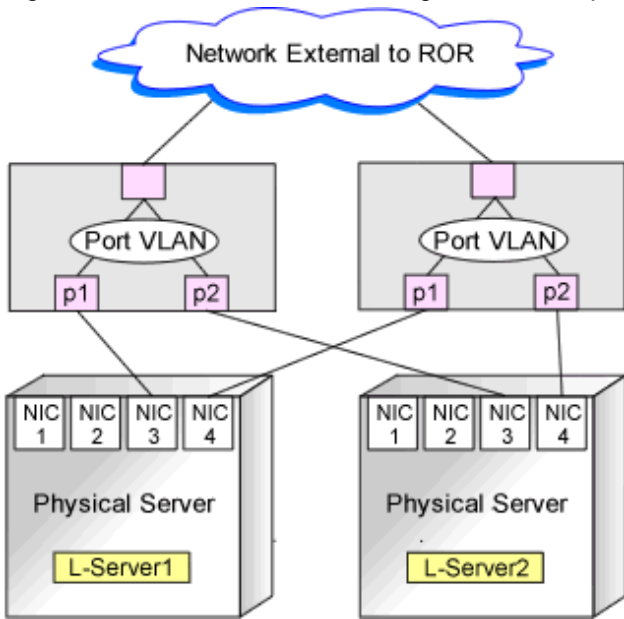
\* Note: For details of the required software, refer to "6.1.2.4 Required Software" in the "Overview".

### Network Configuration Example

An example of network configuration when a physical server is used as an L-Server is given below:



Figure D.9 LAN Switch Blade Configuration Example Using Network Resources



## D.2 Preparations for Servers

---

This section explains preparations for server setup when creating a physical L-Server.

When creating a physical L-Server, it is necessary to configure the following VIOM settings as well as performing the server environment definition and configuration given in "[Chapter 8 Defining and Configuring the Server Environment](#)".

### When Using Virtual I/O by VIOM

- Install VIOM

For details on how to install VIOM, refer to the ServerView Virtual-IO Manager manual.

#### Note

When installing VIOM, do not configure virtual MAC addresses or Range for WWNs.

- Settings for ServerView Operations Manager

Add blade servers for use as managed servers to the ServerView server list.

For details, refer to the ServerView Operations Manager manual.

#### Note

Configure a valid FC-HBA BIOS in the system BIOS.

Configure FC-HBA BIOS, referring to "[8.2 Configuring the Server Environment](#)".

- When using HBA address rename for SAN boot

### When Using I/O Virtualization Using ISM

- Install ISM

For details on how to install ISM, refer to the manuals of ServerView Infrastructure Manager.



See

For details on using I/O virtualization using ISM, refer to "6.2 Settings for ISM Coordination" in the "Setup Guide CE".

### When Using Virtual I/O by HBA address rename

- BIOS settings of managed servers
- Refer to "8.2 Configuring the Server Environment".
- When using HBA address rename for SAN boot

### Configuration Using PXE Boot

When using PXE boot, the server for boot must be located and configured.



Note

- PXE boot is unavailable on networks that use tagged VLAN settings.  
Do not configure tagged VLANs for PXE boot servers.
- When using PXE boot in ISM, it is necessary to temporarily stop the PXE services on the admin server using the `rcxadm pxectl` command.  
For details, refer to "3.19 `rcxadm pxectl`" in the "Reference Guide (Command/XML) CE".
- When the PXE services on the admin server are stopped, the following functions cannot be used:
  - Configuration of HBA address rename
  - Server switchover and failback (using the HBA address rename method or the backup and restore method)
  - Backup and restore
  - Deletion of system images
  - Collection of cloning images
  - Deployment of cloning images
  - Deletion of cloning images
  - Execution of `rcxadm imagemgr set`
  - Registration of servers
  - Deletion of servers
  - Changing of the admin LAN IP address of managed servers
  - Registration of admin subnets
  - Creation of physical L-Servers
  - Backup and restore of physical L-Servers
  - Collection and deployment of cloning images of physical L-Servers

## D.3 Storage Preparations

---

This section explains how to decide and configure a storage environment when using a physical L-Server.

## D.3.1 Deciding the Storage Environment

---

### Prerequisites for Storage when Creating a Physical L-Server

- L-Servers support SAN boot and iSCSI boot configurations.
- When using a physical server as an L-Server, it is necessary that connection using VIOM, ISM, or HBA address rename is supported. For details on connection using VIOM, ISM, or HBA address rename, refer to "[10.1 Deciding the Storage Environment](#)" and "[10.2 Configuring the Storage Environment](#)"
- The usage methods of VIOM, ISM, and HBA address rename differ depending on the hardware of managed servers used to configure a physical L-Server.
  - Blade Servers  
Use VIOM.
  - Rack Mount Servers  
Use HBA address rename or ISM.  
When using rack mount servers that are supported by VIOM, the target servers are managed by VIOM.
- For L-Server SAN storage paths and iSCSI storage paths, multipaths (two paths) are supported.
- Configurations with two or less HBA ports on managed servers are supported.
- When using the MMB firmware for which Fibre Channel card information cannot be obtained by blade servers, only configurations where Fibre Channel cards are mounted in expansion slot 2 are supported. The servers for which the information of Fibre Channel cards can be obtained are as follows:
  - PRIMERGY BX900 Series Servers  
4.70 or later
  - PRIMERGY BX400 Series Servers  
6.22 or later
- When setting up VIOM, do not configure the following items.
  - WWN Address Range
  - MAC Address Range

### Regarding Storage Configuration

Decide the storage configuration necessary for the system.

The storage configuration when creating a physical L-Server is indicated below.

- When using a Fibre Channel connection, multiple storage units can be connected to a single L-Server (when VIOM and ISM connections are not supported, only one storage unit can be connected). When using an iSCSI connection, only one storage unit can be connected to a single L-Server.
- Sharing of storage between multiple L-Servers is supported.



Local disks are not supported. Do not connect local disks.

For details on the required VM management software and storage management software, refer to "6.1.2.4 Required Software" in the "Overview".

For details on supported storage units and Fibre Channel switches, refer to "[2.5 Hardware Environment](#)".

The disk configurations supported by Resource Orchestrator are as follow:

Table D.1 Supported Disk Configurations

| L-Server System Disk   | L-Server Data Disk     |
|------------------------|------------------------|
| SAN storage            | SAN storage            |
| iSCSI storage (*1, *2) | iSCSI storage (*1, *3) |

\*1: Available when ETERNUS storage and NetApp storage are used.

\*2: When using Linux for a physical L-Server, and iSCSI storage for a system disk, it is not possible to create an L-Server using a cloning image.

\*3: When creating an L-Server, iSCSI storage is not allocated to the L-Server as a data disk. Manually allocate the iSCSI storage to the L-Server, after starting the L-Server. Attaching or detaching iSCSI storage to or from an L-Server cannot be performed using Resource Orchestrator. Perform those operations manually. For details on data disk allocation for iSCSI storage, refer to "Information- Physical L-Server Data Disk for iSCSI Boot".

## Information

### Physical L-Server Data Disk for iSCSI Boot

- When Using ETERNUS Storage (Excluding ETERNUS VX700 series)

Using storage management software, the data disk can be accessed from managed servers by defining LUNs of the iSCSI boot disk and of the data disk in the same Affinity group.

- When Using NetApp Storage

Using storage management software, the data disk can be accessed from managed servers by defining LUNs of iSCSI boot disk and of the data disk in the same igroup.

## Configure iSCSI Storage Environments

When using iSCSI boot on physical L-Servers, create LUNs that can be connected to L-Servers in advance. For details, refer to "[D.3.3 When Using ETERNUS Storage](#)" and "[D.3.4 When Using NetApp FAS Storage](#)".

## Dynamic LUN Mirroring Settings

For the storage units that support dynamic LUN mirroring, refer to "Table: Storage Units that can Be Connected with L-Servers on Physical Servers" in "6.2.3 Cloud Edition" in the "Overview".

If dynamic LUN mirroring is to be used on the physical L-Server, make settings so that copying between ETERNUS storage machines is made possible.

For details on the configuration method, refer to the "ETERNUS SF AdvancedCopy Manager Operator's Guide for Copy Control Module".

## D.3.2 Preparations for Storage Environments

The settings necessary when using storage environments are performed using the following flow.

### 1. Storage Unit Configuration

- When using ETERNUS storage

Refer to "[ETERNUS Storage Configuration](#)" of "[D.3.3 When Using ETERNUS Storage](#)".

- When using NetApp FAS series/V series

Refer to "[NetApp FAS Storage Configuration](#)" of "[D.3.4 When Using NetApp FAS Storage](#)".

- When using EMC CLARiiON storage or EMC VNX Storage

Refer to "[D.3.5 When Using EMC CLARiiON Storage or EMC VNX Storage](#)" of "[EMC CLARiiON Storage or EMC VNX Storage Configuration](#)".

- When using EMC Symmetrix DMX storage or EMC Symmetrix VMAX storage

Refer to "[Configuration of EMC Symmetrix DMX Storage or EMC Symmetrix VMAX Storage](#)" of "[D.3.6 When Using EMC Symmetrix DMX Storage or EMC Symmetrix VMAX Storage](#)".

- When using Storage Server on which FalconStor NSS operates

Refer to "[Configuration of Storage Server on which FalconStor NSS Operates](#)" of "[D.3.7 When Using Storage Server on which FalconStor NSS Operates](#)".

## 2. Fibre Channel Switch Configuration

- When Connecting ETERNUS Storage to Fibre Channel Switches

Refer to "[When Connecting ETERNUS Storage to Fibre Channel Switches](#)" of "[D.3.3 When Using ETERNUS Storage](#)".

- When Connecting NetApp Storage to Fibre Channel Switches

Refer to "[When Connecting NetApp Storage to Fibre Channel Switches](#)" of "[D.3.4 When Using NetApp FAS Storage](#)".

- When connecting EMC CLARiON storage or EMC Symmetrix VNX storage to fibre channel switches

Refer to "[When connecting EMC CLARiON storage or EMC Symmetrix VNX storage to fibre channel switches](#)" of "[EMC CLARiON Storage or EMC VNX Storage Configuration](#)".

- When connecting EMC Symmetrix DMX storage or EMC Symmetrix VMAX Storage to fibre channel switches

Refer to "[When connecting EMC Symmetrix DMX storage or EMC Symmetrix VMAX Storage to fibre channel switches](#)" of "[D.3.6 When Using EMC Symmetrix DMX Storage or EMC Symmetrix VMAX Storage](#)".

- When connecting Storage Server on which FalconStor NSS operates

Refer to "[When Connecting Storage Server on which FalconStor NSS Operates](#)" of "[D.3.7 When Using Storage Server on which FalconStor NSS Operates](#)".

## D.3.3 When Using ETERNUS Storage

---

This section explains how to configure ETERNUS storage.

### ETERNUS Storage Configuration

Resource Orchestrator manages only ETERNUS registered on ESC. Register the target ETERNUS on ESC.

For details on how to register to ESC, refer to the "[ETERNUS SF Storage Cruiser Operation Guide](#)".

URL: <http://software.fujitsu.com/jp/manual/manualindex/p13000447e.html>

#### Note

- Definition of ETERNUS hot spares, RAID groups, and TPP is not possible in Resource Orchestrator. Predefine hot spares, RAID groups, and TPP using ETERNUSmgr or other software.
- Resource Orchestrator supports access path settings on the FC-CA ports of ETERNUS connected using Fabric connections. For ETERNUS FC-CA ports to be used by physical L-Servers, it is necessary to select "Fabric connection" in the settings of the connection method.
- Resource Orchestrator uses ETERNUS host affinity to enable recognition of LUNs by servers. For ETERNUS FC-CA ports to be used by physical L-Servers, it is necessary to select "ON" for affinity mode setting.

## When Connecting ETERNUS Storage to Fibre Channel Switches

When creating a disk from an ETERNUS RAID group, configure one-to-one WWPN zoning for the Fibre Channel switch registered on ESC. Therefore, it is necessary to register the Fibre Channel switch connected to ETERNUS and all Fibre Channel switches connected to it using a cascade connection on ESC.

For details on how to register to ESC, refer to the "ETERNUS SF Storage Cruiser Operation Guide".

Zoning settings may not have been configured for Fibre Channel switches. When zoning is not configured, ensure that temporary zoning is configured, since there is a chance that one-to-one WWPN zoning settings cannot be configured. For details on how to perform configuration, refer to the ESC manual.

## When Using ETERNUS Storage for iSCSI Boot

Define the following using storage management software. Regarding the defined information, register a disk on a resource, using the operation command (rcxadm iscsictl) for iSCSI boot.

- Creation of the LUN used by iSCSI boot. Settings to permit access to the LUN from the server.



### Note

.....

If iSCSI boot information already registered is specified, the registered information continues to exist.

If the registered information is changed, delete the iSCSI boot information using the unregister subcommand, and then register the iSCSI boot information by using the register subcommand again.

.....

The definition information registered using the operation command (rcxadm iscsictl) for iSCSI boot is as follows:

For details, refer to "15.4.2 iSCSI Boot Information" in the "Reference Guide (Command/XML) CE".

- Storage Information
  - IP address of the storage port used for iSCSI
  - Storage port IQN name used for iSCSI
- Server Information
  - IP address of the server used for iSCSI
  - Server IQN name used for iSCSI
- Disk Information
  - LUN disk size used for iSCSI boot
- Authentication Information for iSCSI

## When Using Dynamic LUN Mirroring

When using dynamic LUN mirroring, copying chassis is possible through coordination with CCM.

When using this function, make settings so that copying between ETERNUS storage chassis is possible.

For details on the configuration method, refer to the "ETERNUS SF AdvancedCopy Manager Operator's Guide for Copy Control Module".

## D.3.4 When Using NetApp FAS Storage

---

This section explains how to configure NetApp storage.

### NetApp FAS Storage Configuration

- **For Fibre Channel Connections**

Use the following procedure to configure NetApp FAS series/V series settings:

## 1. Initial Configuration

Set the password of the Data ONTAP root account (using more than one character) and the admin IP address of Data ONTAP, referring to the "Data ONTAP Software Setup Guide" manual.

### Note

- Resource Orchestrator uses the NetApp FAS series/V series that is not registered on storage management software such as DataFabric Manager.
- Only one admin IP address can be registered for the NetApp FAS series/ V series on Resource Orchestrator.

## 2. Configuration of SSL

Configure SSL, referring to the "Data ONTAP System Administration Guide" manual.

For Data ONTAP7.3, execute the following command on the Data ONTAP that is to be managed:

```
>secureadmin setup ssl <RETURN>  
>options tls.enable on <RETURN>  
>secureadmin enable ssl <RETURN>
```

## 3. Creation of Aggregates

Create more than one aggregate, referring to the "Data ONTAP Storage Management Guide" manual.

Set any desired number when subdividing the management, such as when managing by users.

Aggregates can be added later.

## 4. Fibre Channel Connection Environment Settings

Configure the following settings, referring to the "Data ONTAP Block Access Management Guide for iSCSI and FC" manual.

- Configure the license settings of the Fibre Channel service.
- Confirm the port settings, and configure the FC port for connection with the managed server as the target port.

## 5. Creation of Portset

Refer to the "Data ONTAP Block Access Management Guide for iSCSI and FC" manual, and create one or more portsets that combine FC ports used for access to the L-Server disk.

Up to two port numbers can be set up per portset.

When using NetApp storage with multiple controllers, create it combining the FC ports of the different controllers.

Use the following name for the portset name:

```
rcx-portsetNN(*)
```

\* Note: For *NN*, specify a number from 00 - 99

### Note

- For the FC port to register in a portset, specify an FC port that is not registered in another portset.
- Specify the FC port the Fibre Channel cable was connected to.
- No portset other than the rcx-portset*NN* is used.

### - For iSCSI Connections

Perform the following operations referring to the "Data ONTAP Block Access Management Guide for iSCSI and FC":

- Creation of LUNs to connect to L-Servers

- Confirmation of storage information to register using the operation command for iSCSI boot (rcxadm iscsictl)

The main definition information is as follows:

For details, refer to "15.4.2 iSCSI Boot Information" in the "Reference Guide (Command/XML) CE".

- Storage Information
  - IP address of the storage port used for iSCSI
  - Storage port IQN name used for iSCSI
- Server Information
  - IP address of the server used for iSCSI
  - Server IQN name used for iSCSI
- Disk Information
  - LUN disk size used for iSCSI boot
- Authentication Information for iSCSI



- Disks with iSCSI boot information registered may be detected as resources of registered storage management software.  
Do not use the disks for iSCSI boot as the LUNs created in advance.
- If iSCSI boot information already registered is specified, the registered information continues to exist.  
If the registered information is changed, delete the iSCSI boot information using the unregister subcommand, and then register the iSCSI boot information by using the register subcommand again.

## When Connecting NetApp Storage to Fibre Channel Switches

In Resource Orchestrator, when creating disks from NetApp aggregates, configuration of Fibre Channel switches connected to NetApp is not performed.

It is necessary to configure one-to-one WWPN zoning for Fibre Channel switches in advance.

It is necessary to define zoning combining the fibre channel switch combining the HBA Port WWPN value based on the WWN provided by the I/O Virtualization Option and the FC port WWPN value defined in the NetApp portset used in Resource Orchestrator. For details on the configuration method, refer to the manual of the fibre channel switch.

## Fibre Channel Switch Zoning Settings

Set zoning combining the WWPN value of HBA Port1 and the WWPN value of defined FC port first in portset, and combining the WWPN value of HBA Port2 and the WWPN value of defined FC port second in portset.

Examples of command execution for an ETERNUS SN200 are as follows:

### Conditions

- WWN value provided by the I/O Virtualization Option: "20:00:00:17:42:51:00:0x"
- WWPN value of HBA Port1: "21:00:00:17:42:51:00:0x"
- WWPN value of HBA Port2: "22:00:00:17:42:51:00:0x"
- Definition of the NetApp storage portset (rcx-portset01): "0a,0b"
- WWPN value of FC port(0a) for NetApp storage: "50:0a:09:81:88:bc:43:dc"
- WWPN value of FC port(0b) for NetApp storage: "50:0a:09:82:88:bc:43:dc"



## Example Command

```
zoneCreate "f2020_a_0","50:0a:09:81:88:bc:43:dc;21:00:00:17:42:51:00:00"  
zoneCreate "f2020_b_0","50:0a:09:82:88:bc:43:dc;22:00:00:17:42:51:00:00"  
...  
zoneCreate "f2020_a_f","50:0a:09:81:88:bc:43:dc;21:01:00:17:43:50:00:0f"  
zoneCreate "f2020_b_f","50:0a:09:82:88:bc:43:dc;22:01:00:17:43:50:00:0f"  
cfgCreate "ror_cfg","f2020_a_0;f2020_b_0; ... ;f2020_a_f;f2020_b_f"  
cfgEnable "ror_cfg"  
cfgSave
```

## D.3.5 When Using EMC CLARiiON Storage or EMC VNX Storage

This section explains how to configure EMC CLARiiON storage or EMC VNX Storage.

### EMC CLARiiON Storage or EMC VNX Storage Configuration

Resource Orchestrator controls EMC CLARiiON storage or EMC VNX Storage through EMC Navisphere Manager.

A user ID and a password are required to use EMC Navisphere Manager.

For details on how to add a user ID, refer to the EMC Navisphere Manager manual.

In order to enhance communication security between Resource Orchestrator and EMC Navisphere Manager, security files are used for issuing Navisphere CLIs.

Create security files in the following directories of the server on which Resource Orchestrator is installed, using the command to create security files.

[Windows Manager]

*Installation\_folder*\SVRROR\Manager\etc\storage\emc\xxx.xxx.xxx.xxx (\*)

[Linux Manager]

/etc/opt/FJSSVrcvmr/storage/emc/xxx.xxx.xxx.xxx (\*)

\* Note: IP address of SP for EMC CLARiiON storage or EMC VNX Storage.

When there are multiple EMC CLARiiON units and EMC VNX units, create multiple directories.

For the user ID to execute commands to create security files, set SYSTEM for Windows, or root for Linux.

Use the following procedure to execute the command for SYSTEM users on Windows.

- For Windows Server 2008
  1. Create a task for creating the security files using the navisecli command executed using the SHTASKS command.
  2. Execute the task created in step 1 using the SHTASKS command.
  3. Delete the task created in step 1 using the SHTASKS command.



### Example

```
C:\Program Files (x86)\EMC\Navisphere CLI>SHTASKS /Create /TN doc /TR "\"C:\Program Files (x86)\EMC\Navisphere  
CLI\NaviSECcli.exe\" -h 172.17.75.204 -AddUserSecurity -user admin -password admin -scope 0 -secfilepath \"%c:\tmp  
\SYSTEM\" /SC ONSTART /RU SYSTEM  
SUCCESS: The scheduled task "doc" has successfully been created.  
  
C:\Program Files (x86)\EMC\Navisphere CLI>SHTASKS /Run /I /TN doc  
INFO: scheduled task "doc" is currently running.  
SUCCESS: Attempted to run the scheduled task "doc".  
  
C:\Program Files (x86)\EMC\Navisphere CLI>SHTASKS /delete /tn doc  
WARNING: Are you sure you want to remove the task "doc" (Y/N)? y  
SUCCESS: The scheduled task "doc" was successfully deleted.
```

```
C:\Program Files (x86)\EMC\Navisphere CLI>
```

## Information

For details on how to create security files, refer to the explanation of "-AddUserSecurity" switches of Navisphere CLI.

## Note

- The following settings are not configured in Resource Orchestrator. Therefore, configure these settings beforehand.
  - Define Hot Spares
  - Define RAID Groups
  - Create Traditional LUNs
  - Define Storage Pools
  - Create Thin LUNs and Thick LUNs
- For details on how to create RAID Groups, Traditional LUNs, Storage Pools, Thin LUNs, and Thick LUNs, refer to the manual of EMC CLARiiON storage or EMC VNX Storage.
- Existing RAID Groups are also recognized as virtual storage, but RAID Groups are not recognized when they are used as hot spares.
- It is not necessary to create a Storage Group which defines LUN masking (LUN mapping), as one is automatically created when creating an L-Server.
- When installing an OS and a multipath driver, it is necessary to make only one access path from the server to the storage.
- It is necessary to install Resource Orchestrator and Navisphere CLI on the same server.
- Only Fibre channel connections using FC ports (target mode) are supported.
- The connection form to FC ports only supports fabric connections.
- For EMC CLARiiON storage or EMC VNX Storage, after installing Resource Orchestrator it is necessary to create definition files combining ports for SAN storage.
- When there are two or more SPs in EMC CLARiiON storage or EMC VNX Storage, access from the L-Server to the LUN can be performed using multiple paths.  
Even when an SP fails, access from the L-Server to the LUN can be continued using the remaining SPs.
- To use resources of EMC CLARiiON storage or EMC VNX Storage, it is necessary to register the storage management product with this product using the "rcxadm storagemgr register" command. Even when there are multiple SPs in one EMC CLARiiON storage or EMC VNX Storage device, it is necessary to specify the IP address of one SP of the EMC CLARiiON storage or EMC VNX Storage device for the IP address used to control the storage management product.

If the selected SP fails, it becomes impossible to create, delete, and attach or detach disks of the physical L-Server that uses the LUN of the EMC CLARiiON storage or EMC VNX Storage device. Request restoration of the SP by the storage manager.

## Information

When creation of physical L-Servers or addition of disks to physical L-Servers is performed, storage groups are created for the EMC CLARiiON storage or EMC VNX storage in each L-Server.

The format of storage group names is as follows.

*L-Server name (From the 1st character to the 55th character) + "\_" + Part of HBA WWPN of Managed Server*

## Example

| L-Server name | HBA WWPN of Managed Server                         | Storage Group Name |
|---------------|--|--------------------|
| Sample        | 21:00:00:17:42:50:00:c8<br>22:00:00:17:42:50:00:c8 | Sample_005000c8    |

### When connecting EMC CLARiiON storage or EMC Symmetrix VNX storage to fibre channel switches

In Resource Orchestrator, when connecting EMC CLARiiON storage or EMC VNX Storage, fibre channel switches are not configured.

It is necessary to configure one-to-one WWPN zoning for Fibre Channel switches in advance.

It is necessary to define zoning combining the fibre channel switch combining the HBA Port WWPN value based on the WWN provided by the I/O Virtualization Option and the SP port WWPN value in the EMC CLARiiON storage or EMC VNX Storage used in Resource Orchestrator. For details on the configuration method, refer to the manual of the fibre channel switch.

### Fibre Channel Switch Zoning Settings

Set zoning combining the WWPN value of HBA Port1 and the WWPN value of the first SP port defined in the storage\_portset.rcxprop definition file, and combining the WWPN value of HBA Port2 and the WWPN value of the second SP port defined in portset.

Examples of command execution for an ETERNUS SN200 are as follows:

In the following examples, 64 patterns of zoning are performed using combination of 16 WWN and 4 SP ports.

## Example

### Conditions

- WWN value provided by the I/O Virtualization Option  
"20:00:00:17:42:51:00:0x"
- WWPN value of HBA Port1  
"9:00:00 PM:17:42:51:00:0x"
- WWPN value of HBA Port2  
"10:00:00 PM:17:42:51:00:0x"
- Content of the definition file "storage\_portset.rcxprop"  
192.168.1.24,"SPAPort0:SPBPort0","SPAPort1:SPBPort1"
- WWPN value of SP port "SPAPort0"  
"50:0a:09:81:88:bc:43:dc"
- WWPN value of SP port "SPBPort0"  
"50:0a:09:82:88:bc:43:dc"
- WWPN value of SP port "SPAPort1"  
"50:0a:09:83:88:bc:43:dc"
- WWPN value of SP port "SPBPort1"  
"50:0a:09:84:88:bc:43:dc"

```
zoneCreate "emc_a_0","50:0a:09:81:88:bc:43:dc;21:00:00:17:42:51:00:00" <RETURN>  
zoneCreate "emc_b_0","50:0a:09:82:88:bc:43:dc;22:00:00:17:42:51:00:00" <RETURN>
```

```

...
zoneCreate "emc_a_f","50:0a:09:81:88:bc:43:dc;21:01:00:17:42:50:00:0f" <RETURN>
zoneCreate "emc_b_f","50:0a:09:82:88:bc:43:dc;22:01:00:17:42:50:00:0f" <RETURN>
zoneCreate "emc_c_0","50:0a:09:83:88:bc:43:dc;21:00:00:17:42:51:00:00" <RETURN>
zoneCreate "emc_d_0","50:0a:09:84:88:bc:43:dc;22:00:00:17:42:51:00:00" <RETURN>
...
zoneCreate "emc_c_f","50:0a:09:83:88:bc:43:dc;21:01:00:17:42:50:00:0f" <RETURN>
zoneCreate "emc_d_f","50:0a:09:84:88:bc:43:dc;22:01:00:17:42:50:00:0f" <RETURN>
cfgCreate "ror_cfg","emc_a_0;emc_b_0; ... ;emc_a_f;emc_b_f;emc_c_0;emc_d_0; ... ;emc_c_f;emc_d_f" <RETURN>
cfgEnable "ror_cfg" <RETURN>
cfgSave <RETURN>

```

## D.3.6 When Using EMC Symmetrix DMX Storage or EMC Symmetrix VMAX Storage

This section explains how to configure EMC Symmetrix DMX storage and EMC Symmetrix VMAX storage.

### Configuration of EMC Symmetrix DMX Storage or EMC Symmetrix VMAX Storage

Resource Orchestrator manages only EMC Symmetrix DMX registered on Solutions Enabler. Register the target EMC Symmetrix DMX on Solutions Enabler.

For details on how to register Solutions Enabler, refer to the Solutions Enabler manual.

There are the following advisory notes:

- For Resource Orchestrator, host spare definitions, DISK group definitions (corresponding to RAID groups), and devices (Thin devices are included, devices corresponding to LUNs) are not created. Create hot spare definitions, DISK group definitions, or devices in advance.
- Map devices and director ports in advance.
- It is not necessary to create devices, LUN mapping and LUN masking, as these are automatically created when creating an L-Server.
- For details on defining hot spares and DISK groups, creating devices, and mapping devices and director ports, refer to the manual of EMC Symmetrix DMX storage or EMC Symmetrix VMAX storage.
- When installing an OS and a multipath driver, it is necessary to make only one access path from the server to the storage.
- It is necessary to install Resource Orchestrator and SYMCLI in the same server.  
SYMAPI Server can also be installed on a different server.
- The server to install SYMAPI Server on must be able to access EMC Symmetrix DMX storage or EMC Symmetrix VMAX storage from FC-HBA.
- When the storage unit is an EMC Symmetrix DMX, it may take up to 10 minutes for the server to recognize the changes made to LUN mapping or LUN masking as the result of performing the following operations:
  - Creation of L-Servers
  - Deletion of L-Servers
  - Attaching of Disks
  - Detaching of Disks
- If L-Server creation involving the deployment of cloning images fails due to the above reason, perform L-Server creation again.

## Information

When creation of Physical L-Servers or addition of disk to physical L-Servers is performed, Masking View etc. are created for EMC Symmetrix DMX Storage or EMC Symmetrix VMAX Storage.

The amount and name formats of the Masking View etc. are as follows.

### For EMC Symmetrix VMAX Storage

However, please refer to "[For EMC Symmetrix DMX Storage](#)" in the following cases.

- When adding a disk to a physical L-Server that uses EMC Symmetrix VMAX storage, and was created before the T007664LP-05 [Linux Manager] or T007676WP-07 [Windows Manager] patch was applied
- When the physical L-Server uses storage other than the following
  - EMC Symmetrix VMAX (Enginuity 5874 or later)

### Numbers of Items Created for EMC Symmetrix VMAX Storage

| Item            | Creation Unit                             |
|-----------------|---|
| Masking View    | Each L-Server                             |
| Initiator group | Each L-Server                             |
| Storage group   | Each L-Server                             |
| Port group      | combination of the ports of storage units |

### Name Format of Items Created for EMC Symmetrix VMAX Storage

| Item            | Name Format   |
|-----------------|---|
| Masking View    | L-Server name (From the 1st character to the 52nd character) + Hyphen("-") + Part of HBA WWPN of Managed Server         |
| Initiator group | L-Server name (From the 1st character to the 52nd character) + Hyphen("-") + Part of HBA WWPN of Managed Server + "_IG" |
| Storage group   | L-Server name (From the 1st character to the 52nd character) + Hyphen("-") + Part of HBA WWPN of Managed Server + "_SG" |
| Port group      | Director port name and port number(1) + "_" + Director port name and port number(2) + "_PG"                             |

## Example

L-Server name: Sample

HBA WWPN of Managed Server: 21:00:00:24:ff:2b:0e:5c, 22:00:00:24:ff:2b:0e:5c

Director port name and port number: 07GPort0, 07HPort0

Number of device connected with L-Server: 001A

| Item            | Name                 |
|-----------------|----------------------|
| Masking View    | Sample-002B0E5C      |
| Initiator group | Sample-002B0E5C_IG   |
| Storage group   | Sample-002B0E5C_SG   |
| Port group      | 07GPort0_07HPort0_PG |

For EMC Symmetrix DMX Storage

Numbers of Items Created for EMC Symmetrix DMX Storage

| Item            | Creation Unit   |
|-----------------|---|
| Masking View    | The following amount is created.<br>Number of ports of storage units that the L-Server uses * Number of devices connected with the L-Server |
| Initiator group | One for the HBA of each managed server  |
| Storage group   | One for each device   |
| Port group      | The following amount is created.<br>Number of ports of storage units that the L-Server uses * Number of devices connected with the L-Server |

Name Format of Items Created for EMC Symmetrix DMX Storage

| Item            | Name Format  |
|-----------------|--|
| Masking View    | HBA WWPN of Managed Server + Director port name and port number + Number of device |
| Initiator group | HBA WWPN of Managed Server   |
| Storage group   | Number of device connected with L-Server   |
| Port group      | HBA WWPN of Managed Server + Director port name and port number + Number of device |



**Example**

L-Server name: Sample

HBA WWPN of Managed Server: 21:00:00:24:ff:2b:0e:5c, 22:00:00:24:ff:2b:0e:5c

Director port name and port number: 07GPort0, 07HPort0

Number of device connected with L-Server: 001A

| Item            | Name   |
|-----------------|--|
| Masking View    | 21000024FF2B0E5C07G0001A<br>22000024FF2B0E5C07H0001A |
| Initiator group | 21000024FF2B0E5C<br>22000024FF2B0E5C                 |
| Storage group   | 001A   |
| Port group      | 21000024FF2B0E5C07G0001A<br>22000024FF2B0E5C07H0001A |

**When connecting EMC Symmetrix DMX storage or EMC Symmetrix VMAX Storage to fibre channel switches**

In Resource Orchestrator, when connecting EMC Symmetrix DMX storage or EMC Symmetrix VMAX storage, Fibre Channel switches are not configured.

It is necessary to configure one-to-one WWPN zoning for Fibre Channel switches in advance.

It is necessary to define zoning combining the fibre channel switch combining the HBA Port WWPN value based on the WWN provided by the I/O Virtualization Option and the DIRECTOR port WWPN value in the EMC Symmetrix DMX storage or EMC Symmetrix VMAX storage used in Resource Orchestrator. For details on the configuration method, refer to the manual of the fibre channel switch.

### Fibre Channel Switch Zoning Settings

Set zoning combining the WWPN value of HBA Port1 and the WWPN value of the first Director port defined in the storage\_portset.rcxprop definition file, and combining the WWPN value of HBA Port2 and the WWPN value of the second Director port defined in portset.

Examples of command execution for an ETERNUS SN200 are as follows:



#### Example

##### Conditions

- WWN value provided by the I/O Virtualization Option  
"20:00:00:17:42:51:00:0x"
- WWPN value of HBA Port1  
"9:00:00 PM:17:42:51:00:0x"
- WWPN value of HBA Port2  
"10:00:00 PM:17:42:51:00:0x"
- WWPN value of the DIRECTOR portset defined first  
"50:0a:09:81:88:bc:43:dc"
- WWPN value of the DIRECTOR portset defined first  
"50:0a:09:82:88:bc:43:dc"

```
zoneCreate "emc_a_0","50:0a:09:81:88:bc:43:dc;21:00:00:17:42:51:00:00" <RETURN>
zoneCreate "emc_b_0","50:0a:09:82:88:bc:43:dc;22:00:00:17:42:51:00:00" <RETURN>
...
zoneCreate "emc_a_f","50:0a:09:81:88:bc:43:dc;21:01:00:17:42:50:00:0f" <RETURN>
zoneCreate "emc_b_f","50:0a:09:82:88:bc:43:dc;22:01:00:17:42:50:00:0f" <RETURN>
cfgCreate "ror_cfg","emc_a_0;emc_b_0; ... ;emc_a_f;emc_b_f" <RETURN>
cfgEnable "ror_cfg" <RETURN>
cfgSave <RETURN>
```

## D.3.7 When Using Storage Server on which FalconStor NSS Operates

This section explains how to configure Storage Server on which FalconStor NSS operates.

### Configuration of Storage Server on which FalconStor NSS Operates

Resource Orchestrator controls FalconStor NSS through a SAN Client CLI installed on the management server. FalconStor NSS controls Storage Server and storage units connected with Storage Server. Therefore, the user ID and the password to use FalconStor NSS are necessary.

The type of user ID must be "IPstor Admin" or "IPstor User" (A user that manages storage devices to be used with this product). For details on how to add a user ID, refer to the FalconStor NSS manual.

## Note

---

- The following settings are not configured in Resource Orchestrator. Therefore, configure these settings beforehand.
  - Define Physical Devices (for Virtual Devices)
  - Define Storage Pools (for Virtual Devices)
  - Create Virtual Devices

For details on how to perform configuration, refer to the FalconStor NSS manual.

- The following are recognized as virtual storage in this product.
    - Physical Device (for Virtual Device) not registered in Storage Pool
    - Storage Pool (for Virtual Device)
  - The following are recognized as disks in this product.
    - A Virtual Device created from one Physical Device (for Virtual Device)
  - Physical Device (for Service Enabled Device) is not recognized.
  - Storage Pool (for Service Enabled Device) is not recognized.
  - Physical Device (for Virtual Device) registered in StoragePool is not recognized.
  - Virtual Device made from two or more Physical Devices (for Virtual Device) is not recognized.
  - Service Enabled Device is not recognized.
  - Do not execute the following configuration changes after beginning management of the Storage Server on which FalconStor NSS operates using this product.
    - Registration or deregistration to the StoragePool of the Physical Device for which the Virtual Device was made
  - It is not necessary to define LUN masking (LUN mapping), as one is automatically defined when creating an L-Server.
  - When installing an OS and a multipath driver, it is necessary to make only one access path from the server to the storage.
  - It is necessary to install Resource Orchestrator and SAN Client CLI on the same server.
  - As for Storage Server and the storage device, they must be connected using iSCSI or FC connections (direct or switch).
  - Only fiber channel attached using FC port (target mode) is supported for the connection of Storage Server and managed servers.
  - Only fabric connection is supported for the connection type of Storage Server and managed server.
  - It must be the NSS target port and NSS dual port of the Storage Server. When three or more disks are connected, an error will occur.
  - Storage Server supports multiple NICs. It is recommended to make it redundant using bonding.
- 

### **When Connecting Storage Server on which FalconStor NSS Operates**

In Resource Orchestrator, when connecting with the Storage Server on which FalconStor NSS operates, Fibre Channel switches are not configured.

It is necessary to configure two-to-two WWPN zoning for Fibre Channel switches in advance.

It is necessary to define zoning for the Fibre Channel switch using a maximum of four ports, using the WWPN value provided by the I/O Virtualization Option (up to two ports), and the WWPN of the NSS target port (or NSS dual port) of the Storage Server on which FalconStor NSS operates. For details on the configuration method, refer to the manual of the fibre channel switch.

### **Fibre Channel Switch Zoning Settings**

When the Storage Server on which FalconStor NSS operates is connected with the fiber channel switch, it is necessary to set the following zonings.



- Zoning of combination of WWPN value of HBA Port1 and WWPN value of the first NSS target port (or NSS dual port)
- Zoning of combination of WWPN value of HBA Port2 and WWPN value of the first NSS target port (or NSS dual port)
- Zoning of combination of WWPN value of HBA Port1 and WWPN value of the second NSS target port (or NSS dual port)
- Zoning of combination of WWPN value of HBA Port2 and WWPN value of the second NSS target port (or NSS dual port)

Examples of command execution for an ETERNUS SN200 are as follows:

### Example

#### Conditions

- WWN value provided by the I/O Virtualization Option  
"20:00:00:17:42:51:00:0x"
- WWPN value of HBA Port1  
"9:00:00 PM:17:42:51:00:0x"
- WWPN value of HBA Port2  
"10:00:00 PM:17:42:51:00:0x"
- WWPN value of the first NSS target port (or NSS dual port)  
"50:0a:09:81:88:bc:43:dc"
- WWPN value of the second NSS target port (or NSS dual port)  
"50:0a:09:82:88:bc:43:dc"

#### Example Command

```
zoneCreate "nss_1_1_0","50:0a:09:81:88:bc:43:dc;21:00:00:17:42:51:00:00"
zoneCreate "nss_2_1_0","50:0a:09:82:88:bc:43:dc;21:00:00:17:42:51:00:00"
zoneCreate "nss_1_2_0","50:0a:09:81:88:bc:43:dc;22:00:00:17:42:51:00:00"
zoneCreate "nss_2_2_0","50:0a:09:82:88:bc:43:dc;22:00:00:17:42:51:00:00"
...
zoneCreate "nss_1_1_f","50:0a:09:81:88:bc:43:dc;21:00:00:17:42:51:00:0f"
zoneCreate "nss_2_1_f","50:0a:09:82:88:bc:43:dc;21:00:00:17:42:51:00:0f"
zoneCreate "nss_1_2_f","50:0a:09:81:88:bc:43:dc;22:00:00:17:42:51:00:0f"
zoneCreate "nss_2_2_f","50:0a:09:82:88:bc:43:dc;22:00:00:17:42:51:00:0f"
cfgCreate "ror_cfg","nss_1_1_0;nss_2_1_0; nss_1_2_0;nss_2_2_0; ...; nss_1_1_f;nss_2_1_f; nss_1_2_f;nss_2_2_f"
cfgEnable "ror_cfg"
cfgSave
```

## D.4 Network Preparations

This section explains the preparations for setting up a network.

The network environment and physical server required to run Resource Orchestrator must satisfy the following prerequisites:

- The configuration for the admin and public LANs has been designed
- The network environment for the admin LAN is configured

For details on the network environment for the admin LAN, refer to ["9.1.1 Admin LAN Network Design"](#).

Perform the following procedures if necessary.

- The configuration for the iSCSI LAN has been designed

For details on how to design and configure a network environment for iSCSI, refer to "[9.1.3 Physical Network Design for the Public LAN and iSCSI LAN](#)".

## Note

When using a physical L-Server, the default physical network adapter numbers available for the admin LAN are as given below.

- When not performing redundancy, "1" is available
- When performing redundancy, "1" and "2" are available

When using a NIC other than the default one, the configuration at the time of physical server registration and at L-Server creation must be the same. Thus when designing systems it is recommended that physical servers registered in the same server pool use the same NIC index.

On the physical L-Servers used by L-Platforms, only the default NIC can be used. The physical network adapter number for Network Interface Cards that can be used as an admin LAN on the L-Platform is as below:

- When not performing redundancy, "1" is available
- When performing redundancy, "1" and "2" are available

When deploying a physical L-Server, if using the UMC function by configuring [Function number expansion (Onboard)], note the following two points:

- It is necessary to disable UMC of the registration target server before registering the server. When UMC is enabled, disable it.
- Only the default NIC can be used as the admin LAN. The physical network adapter numbers that can be used for Network Interface Cards are as below:
  - When not performing redundancy, "1" is available
  - When performing redundancy, "1" and "2" are available

## Information

The first NIC that is available for the admin LAN can be changed.

For details, refer to "5.4.2 Registering Blade Servers" in the "User's Guide for Infrastructure Administrators (Resource Management) CE".

## When Using IBP

When using IBP, it is necessary to create IBP uplink set for the public LAN and the admin LAN in advance.

When using physical L-Servers, it is necessary to create an IBP uplink set for the public LAN and the admin LAN in advance, using VIOM.

- Public LAN

Create a network resource with the same name as the created uplink set.

- Admin LAN

Describe the name of the admin LAN uplink set in the uplink set definition file for the admin LAN.

When there are no definition files, refer to "7.1.9 Definition File for Admin LAN Uplink Set" in the "Setup Guide CE".

## When Using iSCSI

For details on the definition files for iSCSI networks, refer to "7.1.10 Definition File for iSCSI Network" in the "Setup Guide CE".

## When Using the UMC Function

To deploy an L-Server on the Resource Orchestrator manager, it is necessary to connect to the admin LAN using an untagged VLAN.

Since a physical L-Server of the management target communicates with tagged VLANs using the VLAN ID2 or a larger ID when UMC is enabled, it is necessary to convert the tagged VLAN to an untagged VLAN using an L2 switch that relays the admin LAN communications.

### - Admin LAN

Design the network to enable communication between the admin IP of the Resource Orchestrator manager, the admin IP (oob) of the LAN switch blade, and the MMB admin IP using an untagged VLAN. Configure the LAN switch blade port connected to the physical server of the management target configuring UMC in order to enable communication using a tagged VLAN.

### - Network Resources

When configuring the admin IP of the Resource Orchestrator manager and the admin IP of the physical server of the management target configuring UMC in the same subnet, create an admin LAN resource that uses a VLAN ID2 or larger. The admin LAN network resource directly connected to the ROR manager is automatically created during installation using the network resource name, "AdminLan", and the VLAN ID, 1. After deleting the admin LAN resource that uses VLAN ID1, recreate it as an admin LAN resource using VLAN ID2 or a larger ID.

## Information

When deploying a physical L-Server, the UMC function is configured on the CNA according to the L-Server setting as follows:

### - Bandwidth

The value found by dividing 100 percent by [Number of functions per port] for the L-Server is automatically set.

When the value of [Number of functions per port] is 2, 50 % is set. When the value is 4, 25 % is set.

### - LPVID

The VLAN IDs of the network resources which are allocated to L-Servers and for which [Untagged VLAN] is enabled are set.

## Note

When using the UMC function, there are the following advisory notes. For details, refer to the hardware manual.

- Setting the same VLAN ID for different functions which belong to the same physical port is not possible.
- Assign the LPVID within the range between VLAN ID2 and 4094. VLAN ID 1 cannot be assigned. It is necessary to set LPVIDs for all functions that are defined as NICs.
- For the ports of the L2 switches connected to CNA, the VLAN ID of LPVID must be set as the tagged VLAN port.
- L2 switches connected to CNA must be connected using 10G.

# Appendix E Preparations for Creating a Virtual L-Server

This appendix explains how to perform design and configuration when creating a virtual L-Server.

The functions that can be used differ depending on the server virtualization software.

For details on available functions, refer to "[Functional Differences Depending on Server Virtualization Software](#)" in "[11.1 Deciding Server Virtualization Software](#)".

## E.1 VMware

This section explains how to use VMware as server virtualization software.

Preparations are required to create and manage VMware virtual machines as L-Servers of Resource Orchestrator.

For details on pre-setup preparations for VMware environments, refer to the VMware manual.

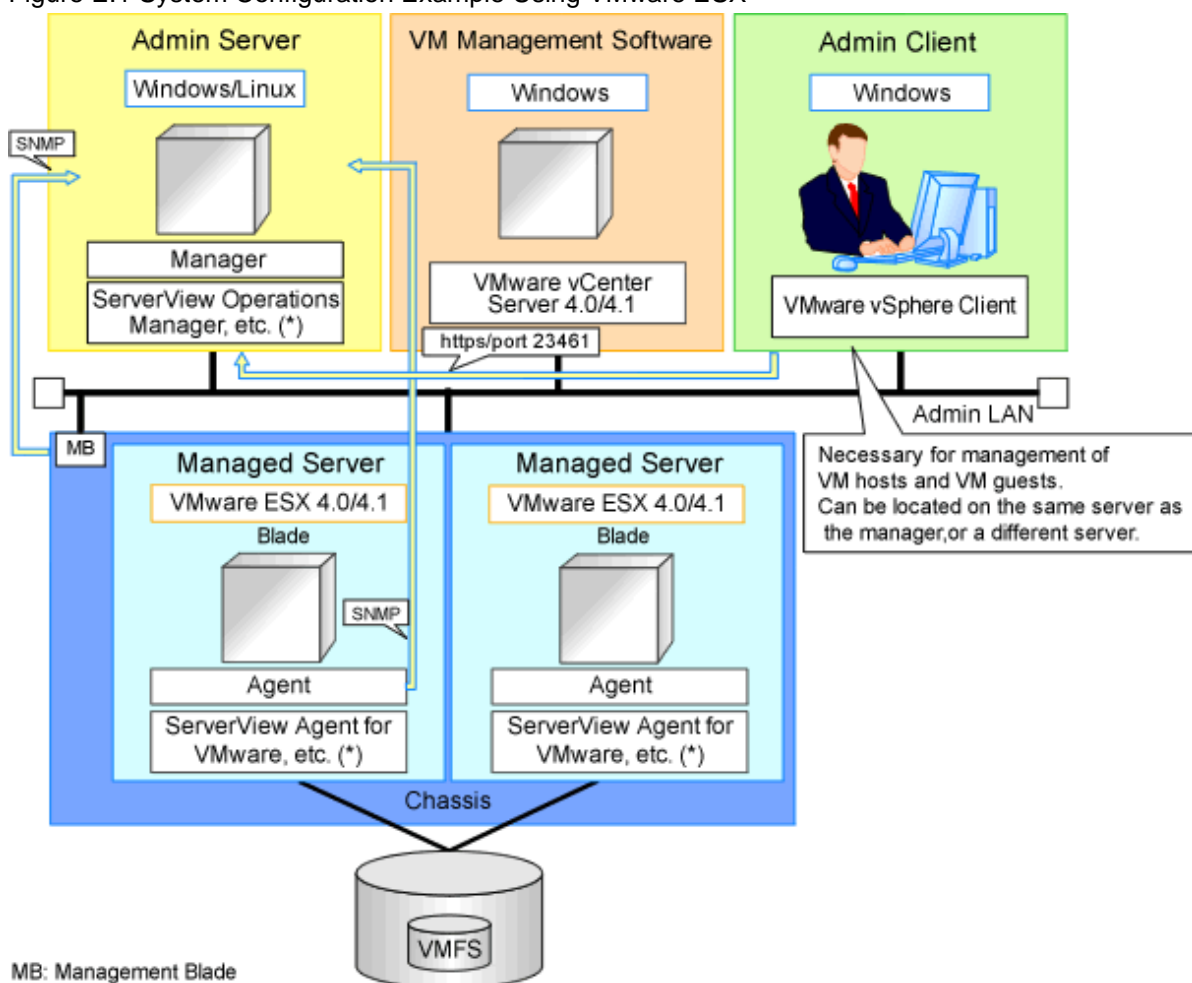
### E.1.1 System Configuration

This section how to configure VMware for use as server virtualization software.

#### Example of System Configuration

An example system configuration using VMware ESX is given below.

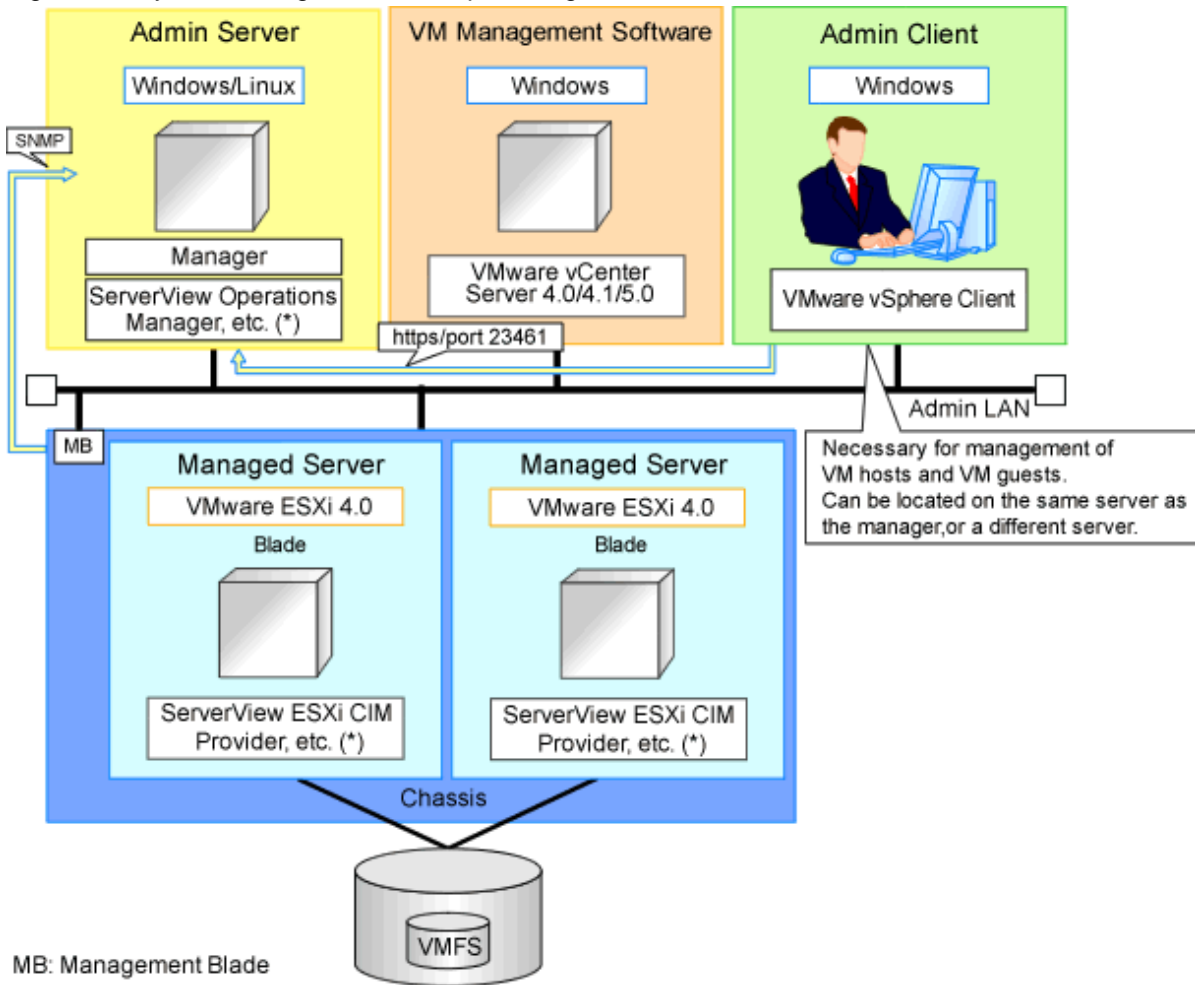
Figure E.1 System Configuration Example Using VMware ESX



\* Note: For details of the required software, refer to "6.1.2.4 Required Software" in the "Overview".

An example system configuration using VMware ESXi is given below.

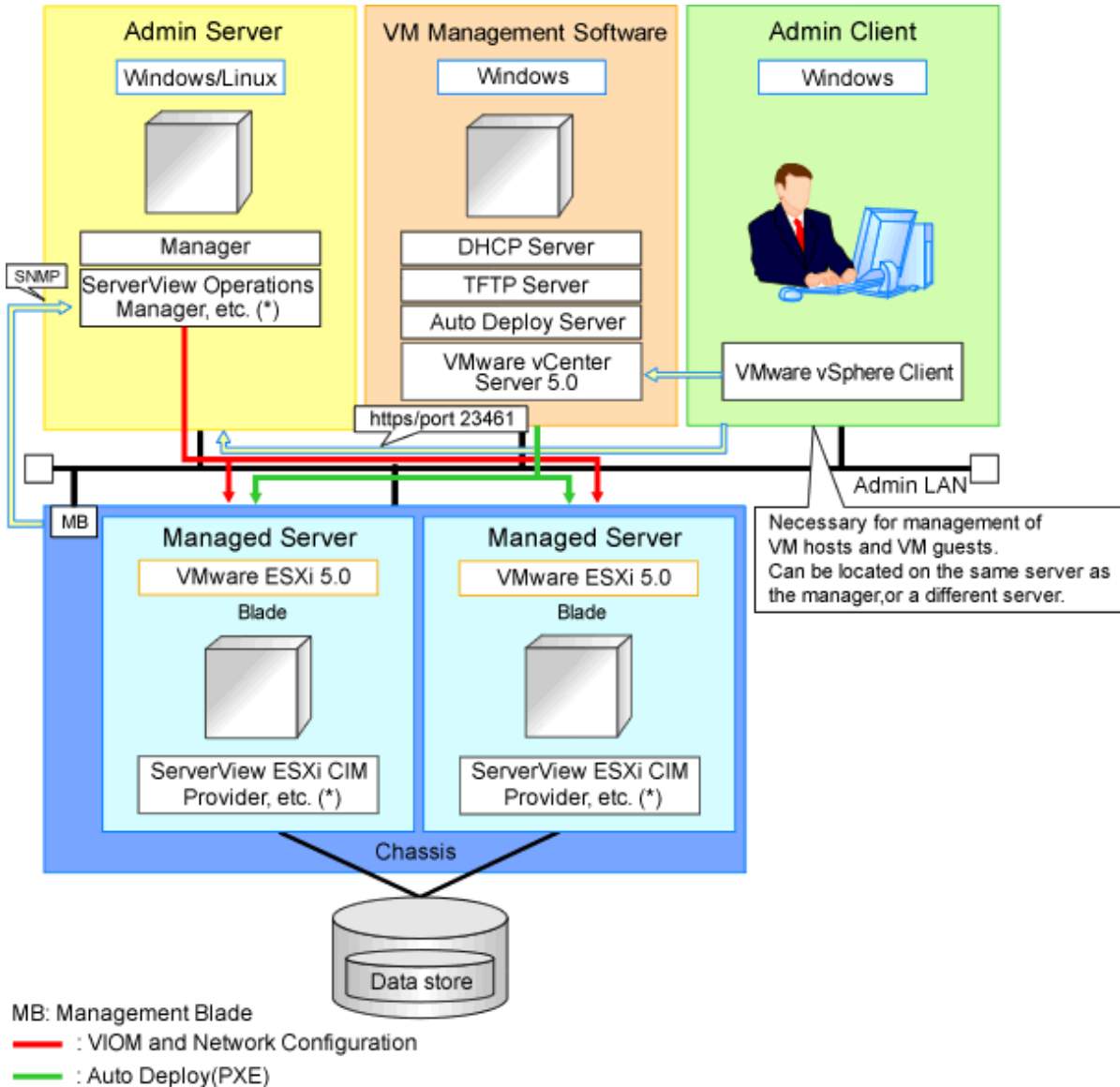
Figure E.2 System Configuration Example Using VMware ESXi



\* Note: For details of the required software, refer to "6.1.2.4 Required Software" in the "Overview".

An example system configuration for deploying VMware ESXi using Auto Deploy is given below.

Figure E.3 Example of System Configuration for Installing VMware ESXi Using Auto Deploy



\* Note: For details of the required software, refer to "6.1.2.4 Required Software" in the "Overview".

**Note**

For a configuration example for rack mount servers, delete the chassis and management blades from the diagram above.

**Simplifying network settings**

Network settings can be easily configured by Resource Orchestrator when creating L-Servers.

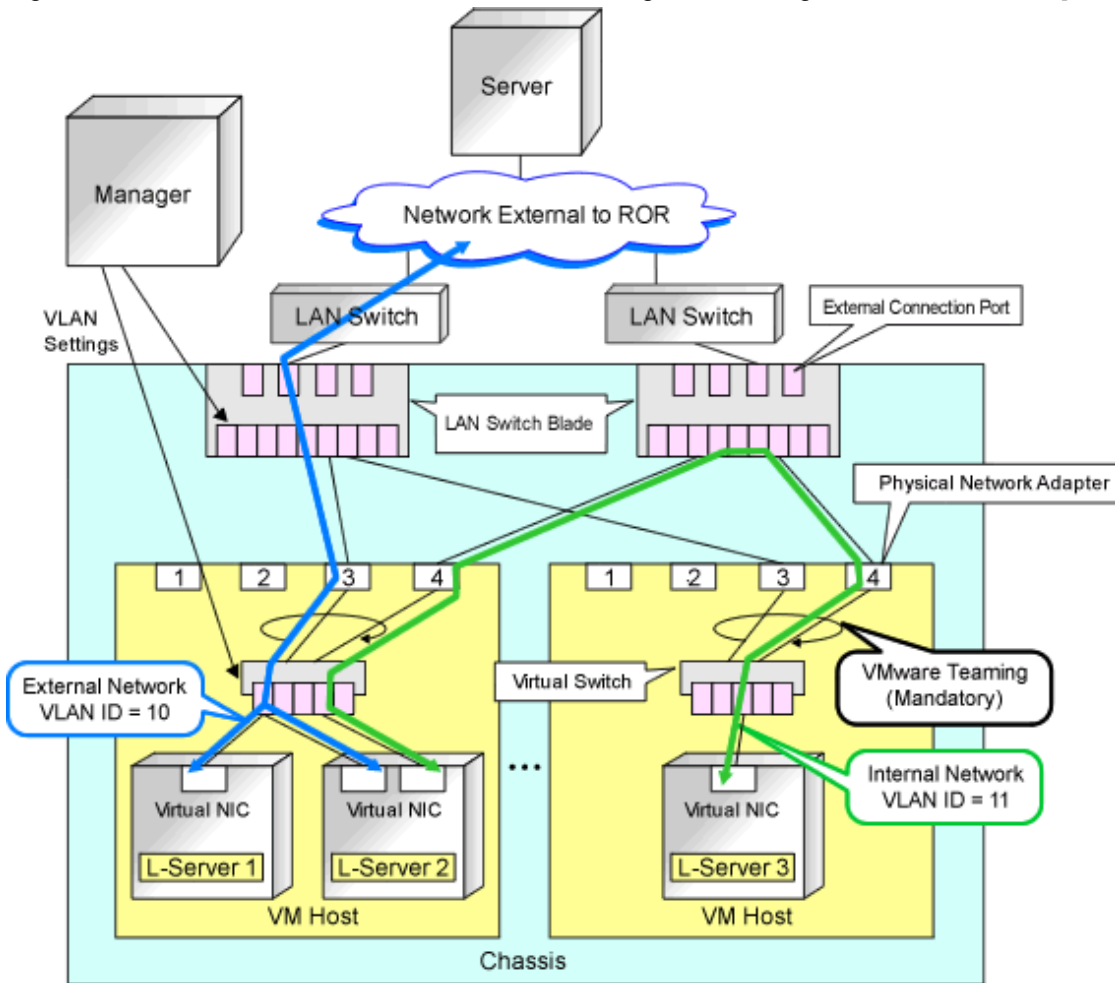
Depending on the conditions, such as hardware (blade servers or rack mount servers) and the presence or absence of network redundancy for L-Servers, the setting ranges of networks differ.

For details, refer to "2.2.7 Simplifying Networks" and "9.4 Preparations for Resource Orchestrator Network Environments".

**Network Configuration Example**

An example network configuration using VMware is given below:

Figure E.4 LAN Switch Blade and Virtual Switch Configuration Using Network Resources [VMware]



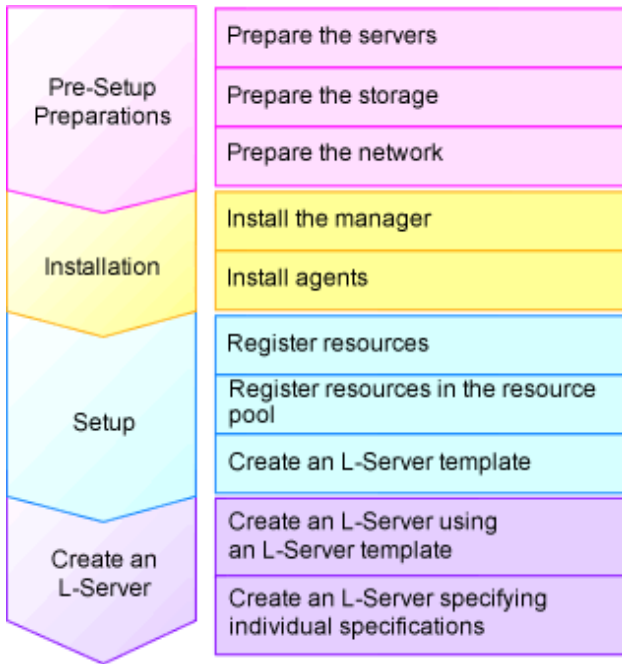
**Note**

- When network settings have been performed automatically for an L-Server in a VMware environment, redundancy of virtual switches and physical network adapters will be performed using VMware Teaming.
- For Resource Orchestrator, configure the LAN switch blades when using switch mode or end-host mode.
- Configure the admin and public LANs as physically separate. For details, refer to "[Chapter 9 Defining and Configuring the Network Environment](#)".

**L-Server Creation Procedure**

Use the following procedure to create L-Servers:

Figure E.5 Resource Orchestrator Setup Procedure



For details on pre-setup preparations, refer to "E.1 VMware".

For details on how to install Resource Orchestrator, refer to "Chapter 2 Installation" in the "Setup Guide CE".

For details on how to set up Resource Orchestrator, refer to "8.2 VMware" in the "Setup Guide CE".

For details on how to create an L-Server, refer to "8.2.7 Creating L-Servers" in the "Setup Guide CE".



### Point

- When Using VMware ESX

Install Resource Orchestrator agents and ServerView for VMware agents.

- When Using VMware ESXi

Install ServerView ESXi CIM Provider.

When using VMware ESXi on another vendor's servers or when not using ServerView ESXi CIM Provider on VMware ESXi on Fujitsu rack mount servers, perform the definition in "8.1.5 Definition Files when Creating a Virtual L-Server Using VMware ESXi on Another Vendor's Servers or when Creating Virtual L-Servers without Using ServerView ESXi CIM Provider on VMware ESXi on Fujitsu Rack Mount Servers" in the "Setup Guide CE".

- When Using Windows Server 2012 R2 or later as a Guest OS

Refer to the following and configure the settings of the SCSI controller before creating virtual L-Servers.

- "SCSI Controller Definition File" in "8.2.1 Creating Definition Files" in the "Setup Guide CE"

## E.1.2 Preparations for Servers

In addition to the operations in "Chapter 8 Defining and Configuring the Server Environment", the following operations are necessary.

- Configure VIOM or ISM

When using I/O virtualization, configuration of VIOM or ISM is necessary.

- Install and configure VMware ESX

When installing an OS on a physical server, refer to the server virtualization software manual.

When installing a VM host on an L-Server, refer to "Appendix A Installing VM Hosts on Physical L-Servers" in the "Setup Guide CE".



- Install and configure VMware vCenter Server

Necessary for management of VM hosts and L-Servers.

It is necessary to install the Microsoft Sysprep tools for VMware vCenter Server to enable collection of L-Server cloning images. For details on how to install the Microsoft Sysprep tools, refer to the installation section of "vSphere Basic System Administration" of VMware.

Refer to the relevant version of document, referring to the following URL:

vSphere Basic System Administration

URL: [http://www.vmware.com/support/pubs/vs\\_pubs.html](http://www.vmware.com/support/pubs/vs_pubs.html)

- Configure VMware clusters

When performing movement between servers (migration), register the source and destination VM hosts for migration in the same cluster.

When not performing redundancy of L-Servers, it is not necessary to enable VMware HA or VMware DRS.

- Design and configure VMware HA

When performing redundancy of L-Servers, VMware HA configuration must be performed in advance.

When using VMware HA admission control, set "Percentage of cluster resources reserved" or "Specify failover hosts" for the admission control policy.

When multiple VM hosts are set for "Specify failover hosts", or a policy other than the above is set, the L-Server may fail to start.

- Design and configure VMware DPM, VMware DRS, VMware FT, and VMware Storage VMotion

When using VMware DPM, VMware DRS, VMware FT, or VMware Storage VMotion, configure them in advance using VMware vCenter Server.

When setting configuration of VMware DRS or VMware DPM to "Manual", startup of L-Servers and VM guests may fail. For details, refer to "When using VMware DRS or VMware DPM".

- When using VMware DRS or VMware DPM

It is necessary to configure the following settings beforehand, when moving L-Servers between VM hosts on VMware DRS or when turning on a VM host during an L-Server startup.

1. Configure VMware DRS and VMware DPM

Refer to VMware manuals and configure VMware DRS as "partly automatic" or "full automatic", or configure VMware DPM as "off" or "automatic".

When setting configuration of VMware DRS or VMware DPM to "Manual" and enabling the power control configuration of VMware DRS or DPM, startup of the L-Server may fail. In this case, start the L-Server from VM management software.

2. Configure Power Control for VMware DRS and DPM

When configuring power control for VMware DRS or DPM, specify "true", referring to "Server Virtualization Software Definition File" in "8.2.1 Creating Definition Files" in the "Setup Guide CE".

- When using a console connection of an L-Server of VMware vSphere (VMware vSphere 5.1 or later)

The console connection of an L-Server of VMware vSphere communicates with the VM host on which the L-Server operates according to the proxy settings of the browser.

To use the console connection of an L-Server of VMware vSphere through the proxy server, connect a virtual switch of the admin LAN of the VM host to the proxy server.

For details, refer to the VMware manual.

## Information

When performing inter-cluster movement (migration), for VMware this means inter-resource pool movement (migration). Moving an L-Server (migration) is only possible in the same cluster (the same resource pool) because resource pools of VMware are not managed in Resource Orchestrator. For details on resource pools of VMware, refer to the "vSphere Resource Management Guide" of VMware.

Refer to the relevant version of the document, referring to the following web site:

URL: [http://www.vmware.com/support/pubs/vs\\_pubs.html](http://www.vmware.com/support/pubs/vs_pubs.html)

## When Deploying VM Hosts Using Auto Deploy

### 1. Setup the Auto Deploy Server

Setup the Auto Deploy server.  
For details, refer to the manual of server virtualization software.

### 2. Configure the DHCP Server

Prepare a server other than admin server, and configure the DHCP server to be used by the Auto Deploy function.  
Perform configuration so the DHCP server assigns IP addresses only to VM hosts that have been configured using network boot services that use DHCP protocols such as Auto Deploy.  
For details, refer to the manual of the server used as the DHCP server.

### 3. Configure the TFTP Server

Prepare a server other than admin server, and configure the TFTP server to be used by the Auto Deploy function.  
For details, refer to the manual of the server used as the TFTP server.

### 4. Setup a VM Host

Setup a VM host for a physical L-Server.  
Refer to "Appendix A Installing VM Hosts on Physical L-Servers" in the "Setup Guide CE", and set up VM hosts.

## Point

- When creating an L-Server, prepare a disk for the dump area.  
At least one disk should be prepared specifying a disk that is not shared with other L-Servers.  
On that disk, create a dump area for VMware ESXi.
- For the first L-Server that uses Auto Deploy, prepare the necessary number of disks with the disk capacity necessary for storing VM guests to share with other L-Servers.  
When there are two or more L-Servers, prepare the disk for storing VM guests connected to the first L-Server.  
On that disk, create an area for VMFS to use as a datastore.
- When configuring a VM host using Auto Deploy, use VIOM or ISM for I/O virtualization.

## Note

As HBA address rename requires PXE boot, use in combination with Auto Deploy using the same PXE boot is not possible.

## When Using VMware vSphere 6 or later as a VM Host

When estimating the memory size of the VM host, include the overhead memory size in the memory size of all VM guests that operate on the VM host.

When estimating the overhead memory size of VM guests, refer to the web site at the following URL.

VMware web site

URL:  
<https://pubs.vmware.com/vsphere-65/topic/com.vmware.vsphere.resmgmt.doc/GUID-B42C72C1-F8D5-40DC-93D1-FB31849B1114.html>

## Configuring Console Connection of a Virtual L-Server of VMware vSphere Using VMware VSAN or VMware vSphere 6.5 or Later

Install VMware vSphere PowerCLI 6.0 or later, and confirm that VMware PowerCLI (32-bit) starts.

For details, refer to the manuals of VMware vSphere PowerCLI.



### Note

- If PowerCLI is installed after the admin server is configured, operation of PowerCLI using Resource Orchestrator may not function properly.

In this case, restart the admin server.

For details on how to start and stop the admin server, refer to "2.1 Starting and Stopping Managers" in the "Operation Guide CE".

- When the admin server is not connected to the Internet, it takes longer to load PowerCLI, which may inhibit the processes of this function.

For this reason, be sure to connect the admin server to the Internet.

When it is not possible to connect to the Internet, perform the following two procedures on the admin server:

- Disable the "Microsoft Trusted Root Certificate Program"
  1. Open the Local Group Policy Editor.
  2. Select [Computer Configuration]-[Windows Settings]-[Security Settings]-[Public Key Policies].
  3. Double-click [Certificate Path Validation Settings].
  4. Click the [Network Retrieval] tab.
  5. Check the [Define these policy settings] checkbox.
  6. Clear the [Automatically update certificates in the Microsoft Root Certificate Program] checkbox.



### Information

Leave the [Allow issuer certificate (AIA) retrieval during path validation] checkbox checked. This item affects how certificate chains are validated.

#### Validation of certificate chains

If necessary, download CA certificates other than the root certificate (intermediate certificates) based on the path described for authority information access (AIA) of certificates. Construct a certificate chain to the root CA certificate using these intermediate certificates.

7. Click [OK].
  8. Restart the OS.
- Disable the setting for checking certificate revocation
    1. Open the Registry Editor.
    2. Open the following registry key.

HKEY\_USERS\DEFAULT\Software\Microsoft\Windows\CurrentVersion\WinTrust\Trust Providers  
\Software Publishing

3. Modify the value of [State (REG\_DWORD)] as follows.

|                            |                      |
|----------------------------|----------------------|
| <b>Before modification</b> | 0x00023c00: Enabled  |
| <b>After modification</b>  | 0x00023e00: Disabled |

---

## E.1.3 Storage Preparations

---

This section explains the preparations for setting up storage.

### Supported Storage Configurations

The supported storage configurations are as follow:

- Storage supported by VMware  
For details on the storage supported by VMware, refer to the VMware manual.
- Storage configured for datastores of VMware ESX/ESXi (VMFS Version 3 or later, NFS mount, VVOL, or VSAN), including L-Server system disks and data disks

### Preparations for Storage Environments

Check the following:

- Volumes to allocate to VMware ESX/VMware ESXi have been already created
- Zoning and affinity have been set
- VMware ESX/VMware ESXi has been configured to recognize a datastore



#### Point

---

- To use VVOL as a disk for virtual L-Servers, ETERNUS SF Storage Cruiser 16.2 (with Patch T010894WP-02, Patch T010908WP-02, and subsequent patches applied) or later and ETERNUS VASA Provider 2.0 or later must be installed.  
For details, refer to the manual of the relevant product.
- When a virtual machine storage policy is not specified in an L-Server template, the default virtual machine storage policy configured in vSphere Web Client will be used for the virtual machine storage policies of virtual disks at the following timings:
  - Creation of L-Servers
  - Attaching of virtual disks to L-Servers

The content of the definition of the default virtual machine storage policy can be modified using vSphere Web Client.

[Windows Manager]

When configuring a virtual machine storage policy other than the default for virtual disks, perform the following operations:

- Specify the virtual machine storage policy in L-Server templates.
  - Register the IP addresses of VMware vCenter Server and VMware vSphere on the DNS server, and use the FQDN to enable access from the manager.
- 



#### Information

---

By registering the agent of the VM management software and the VM host with Resource Orchestrator, datastores are detected as virtual storage resources in Resource Orchestrator.

Whether the datastore is VMFS, VVOL, or VSAN can be distinguished based on the format of the virtual storage resource name.

### **Name Format of Virtual Storage Resources for VMFS (Datastores)**

The datastore name is used for the virtual storage resource name.

However, when characters other than the following are included in a datastore name, they are replaced with hyphens ("-").

When this product manages two or more vCenters, there may be multiple datastores with the same name. In that case, the form of virtual storage resource names is the datastore name + "\_" + serial number (Example: "\_1").

- Numerals (0 to 9)
- Alphabetical characters: upper case (A to Z), lower case (a to z)
- Hyphens ("-") and underscores ("\_")

### **Name Format of Virtual Storage Resources for VVOL (Datastores)**

Virtual storage resource names are indicated in the following format:

- "VVOLDS\_" + *VVOL\_datastore\_name*

However, if characters other than those listed below are included in the VVOL datastore name, replace them with hyphens ("-").

When this product manages two or more vCenters, there may be multiple VVOL datastores with the same name. In that case, the form of virtual storage resource names is the VVOL datastore name + "\_" + serial number (Example: "\_1").

- Numerals (0 to 9)
- Alphabetical characters: upper case (A to Z), lower case (a to z)
- Hyphens ("-") and underscores ("\_")

### **Name Format of Virtual Storage Resources for VSAN (Datastores)**

Virtual storage resource names are indicated in the following format:

- "VSANDS\_" + *VSAN\_datastore\_name*

However, if characters other than those listed below are included in the VSAN datastore name, replace them with hyphens ("-").

When this product manages two or more vCenters, there may be multiple VSA datastores with the same name. In that case, the form of virtual storage resource names is the VSAN datastore name + "\_" + serial number (Example: "\_1").

- Numerals (0 to 9)
- Alphabetical characters: upper case (A to Z), lower case (a to z)
- Hyphens ("-") and underscores ("\_")

---

## **E.1.4 Network Preparations**

Check the following:

- The configuration for the admin and public LANs has been designed
- The network environment for the admin LAN is configured
- The virtual switch to connect to the admin LAN has been designed and configured

### **When Using IBP**

When using virtual L-Servers, after creating the IBP uplink sets to use for the public LAN and admin LAN, connect the IBP uplink sets to the VM host.

It is not necessary to use the same name for the uplink set and the name of the network resource.

## Point

- For VMware virtual switches, configuration is not necessary as they are automatically configured by Resource Orchestrator.
- When performing movement between servers (migration), configure the VMkernel port group for VMotion on each VM host.
- For details on how to configure the VMkernel port group, refer to the information in "vSphere Basic System Administration" of VMware.

Refer to the relevant version of the document, referring to the following web site:

vSphere Basic System Administration

URL: [http://www.vmware.com/support/pubs/vs\\_pubs.html](http://www.vmware.com/support/pubs/vs_pubs.html)

## When Using Distributed Virtual Switch (VMware vDS)

In Resource Orchestrator, the NICs of VM guests and port groups can be connected to the port groups of a distributed virtual switch (VMware vDS). The port groups of the distributed virtual switch should be configured beforehand manually.

When using VMware vDS, the following preparation is necessary:

1. Create Port Groups of the Distributed Virtual Switch

Refer to the VMware manual, and create them manually.

2. Define the Correspondence of the Port Groups of the Distributed Virtual Switch and VLAN IDs

Create the distributed virtual network definition file shown below, and associate the port groups and the VLAN IDs:

Storage location of distributed virtual network definition files

[Windows Manager]

*Installation\_folder*\SVROR\Manager\etc\customize\_data

[Linux Manager]

/etc/opt/FJSVrcvmt/customize\_data

Distributed virtual network definition file name

vnetwork\_vmware.rcxprop

File format for distributed virtual network definitions

Describe the distributed virtual network definition file in individual lines in the following format:

```
"Port_group_name_of_Distributed_Virtual_Switch"=VLAN ID[, VLAN ID..]
```

For the *VLAN ID*, an integer between 1 and 4094 can be specified. When specifying a sequence of numbers, use a hyphen ("-") such as in "1-4094".

## Example

```
"Network A"=10  
"Network B"=21,22,23  
"Network C"=100-200,300-400,500
```

- Blank spaces before and after equal signs ("=") and commas (",") are ignored.
- Describe the port group name of the distributed virtual switch correctly, as entry is case-sensitive.
- Use the UTF-8 character code.
- When there are multiple lines with the same distributed virtual switch port group name, all specified lines are valid.

- When the same VLAN ID is used in lines where the port group names of different distributed virtual switches are described, the VLAN ID in the first line is valid.

### 3. Place the Distributed Virtual Switch Usage Configuration File

Place the distributed virtual switch use configuration file. Create the following folder and place an empty file in it.

Storage location of distributed virtual switch usage configuration files

[Windows Manager]  
*Installation\_folder\SVROR\Manager\etc\vm*

[Linux Manager]  
 /etc/opt/FJSVrcvnr/vm

Distributed virtual switch usage configuration name

vds\_vc

## When Using the Definition for Port Groups Excluded from the Selections for Automatic Network Configuration

If the names of the port groups to be excluded from automatic network configuration have been specified in the VMware excluded port group definition file, creation of L-Servers is possible, even if the VLAN set for the service console or VMkernel network and the one set for the port group on the virtual switch is the same.

When using a VMware excluded port group definition, the following preparation is necessary:

1. On the managed server, create a port group of the service console (or VMkernel) and the virtual switch that use the same VLAN ID. Refer to the VMware manual, and create them manually.
2. Create a VMware excluded port group definition file, and define the name of the service console created in step 1 as the port group name to be excluded.

Storage location of the VMware excluded port group definition file

[Windows Manager]  
*Installation\_folder\SVROR\Manager\etc\customize\_data*

[Linux Manager]  
 /etc/opt/FJSVrcvnr/customize\_data

File name of the VMware excluded port group definition file

vnetwork\_excluded\_vmware.rcxprop

File format for the VMware excluded port group definition file

Describe the VMware excluded port group definition file in individual lines in the following format:

|                                       |
|---------------------------------------|
| <i>Port_group_name_to_be_excluded</i> |
|---------------------------------------|

### Example

|   |
|---|
| Service Console<br>VMkernel<br>Service Console2 |
|---|

- Lines starting with "#" are regarded as comments, and ignored.
- Blank lines are ignored.
- Describe *Port\_group\_name\_to\_be\_excluded* correctly, as the entry is case-sensitive.
- Use the UTF-8 character code.

- For the *Port\_group\_name\_to\_be\_excluded*, from the front of the line to the line break code in each line is regarded as a single name.
- When there are multiple lines with the same *Port\_group\_name\_to\_be\_excluded*, all specified lines are valid.

### Note

When using the definition of the port groups excluded from the selections for automatic network configuration, take note of the following points:

- The VLAN of the service console and VMkernel network is the admin LAN. As this configuration allows a public LAN using the same VLAN, security risks increase.

For these reasons, that this configuration is for users using the same VLAN in the system configuration. The infrastructure administrator should determine if these directions can be used or not, taking possible security risks into account.

## When Performing Alive Monitoring (Heartbeat Monitoring) for L-Server

For Resource Orchestrator alive monitoring functions, "VM Monitoring" functions for VMware HA are used. Therefore, configure the following settings:

1. Configure VMware clusters  
Configure VMware clusters in a VM host operating an L-Server.
2. Configure VMware HA  
Enable VMware HA in VMware clusters configured in step 1.

## When using Console Connections from Public LAN

Use the following procedure when using console connections from the public LAN. For details on the configuration method, refer to the VM management software manual.

1. Create a virtual switch to connect with the public LAN on VM management software.
2. Create a Service Console or port group for VMKernel on the created virtual switch on VM management software.
  - When Using VMware ESX  
Create a port group for Service Console.
  - When Using VMware ESXi  
Create a port group for VMKernel.

When creating port groups for Service Console or VMkernel, configure IP addresses and VLAN IDs for the VM host to match to the settings of the public LAN that is the destination for connection. When using multiple network resources as public LANs, create port groups for Service Console or VMKernel corresponding to each resource, and configure the IP addresses and VLAN IDs appropriately.

3. Configure port groups excluded from the selection for automatic network configuration in Resource Orchestrator.

The VLAN ID for network resources corresponding to the public LAN and the VLAN ID for Service Console or VMKernel may be the same. Therefore, define the port group for the Service Console or VMKernel created in step 2 for the port group to be excluded from selection for automatic network configuration.

For details, refer to "[When Using the Definition for Port Groups Excluded from the Selections for Automatic Network Configuration](#)".

4. Configure the IP addresses to exclude from allocation in Resource Orchestrator.

Set the IP address of the VM host configured for public LANs in step 2, in the network corresponding to the public LAN, to be excluded from allocation.



For details, refer to the following:

- "7.5 Modifying Network Resource Specifications" in the "User's Guide for Infrastructure Administrators (Resource Management) CE".
- "14.3.1 Creating New Network Resources" in the "User's Guide for Infrastructure Administrators (Resource Management) CE".

### Note

When using a console connection of an L-Server from the public LAN via proxy server in the following environments, connect the virtual switch to the proxy server in step 1.

- VMware vSphere 5.1
- VMware vSphere 5.5
- VMware vSphere 6.0
- VMware vSphere 6.5

## E.2 Hyper-V

---

This section explains how to configure Hyper-V as server virtualization software.

Preparations are necessary when using a Hyper-V environment to create and manage an L-Server of Resource Orchestrator.

For details on pre-setup preparations for Hyper-V environments, refer to the Hyper-V manual.

### E.2.1 System Configuration

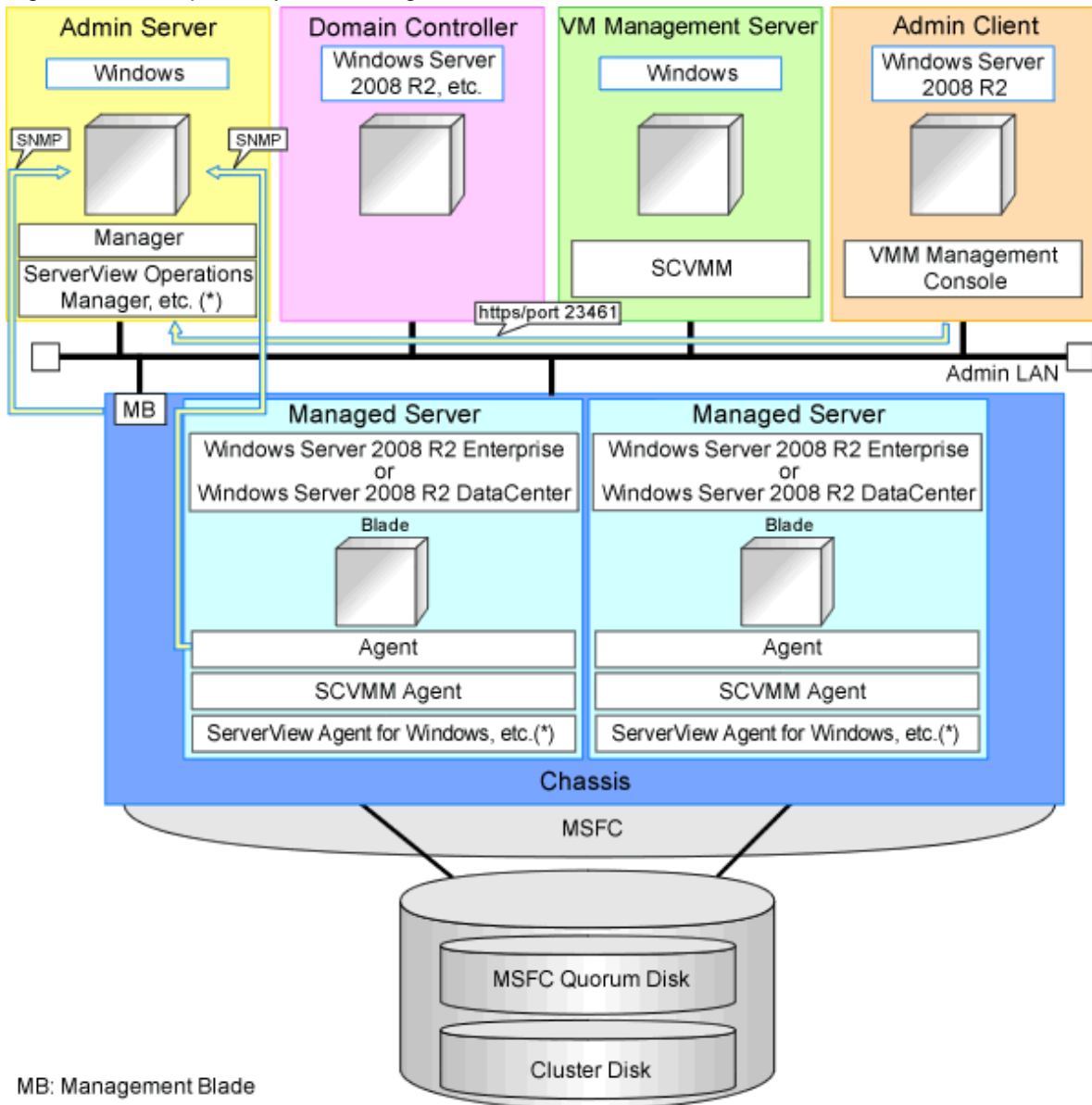
---

This section explains the system configuration when using Hyper-V as server virtualization software.

#### Example of System Configuration

This section explains how to configure Hyper-V as a managed server.

Figure E.6 Example of System Configuration



MB: Management Blade

\* Note: For details of the required software, refer to "6.1.2.4 Required Software" in the "Overview".

### Note

- For a configuration example for rack mount servers, delete the chassis and management blades from the diagram above.
- For the manager, agents, SCVMM, SCVMM agents, and Windows guest OSs, apply the latest updated program using Microsoft Update. Necessary for installing the latest integrated services provided by each OS on VM guests.

### SCVMM

Necessary for management of VM hosts and VM guests.

Can be placed on the same admin server as the manager or on another server.

Can be placed on the same server as the domain controller or on another server.

SCVMM must be in the domain of the domain controller in this configuration.

## Domain controller

Can be placed on the same admin server as the manager or on another server.

Can be placed on the same server as SCVMM or on another server.

## Managed Servers

Create a cluster using MSFC.

Managed servers must be in the domain of the domain controller in this configuration.

## Admin client

Must be in the same domain as SCVMM and the VM host. The SCVMM administrator console must be installed.

## Advisory Notes for System Configuration

- SCVMM and the VM host must be in the same domain.
- SCVMM and a VM host cannot be placed on the same server, when simplifying of network settings is used.
- The VM host must be connected to the Resource Orchestrator admin LAN.
- For the Resource Orchestrator manager, it is recommended that the configuration enable access to SCVMM through the Resource Orchestrator admin LAN.
- When opening the SCVMM management window from an ROR console executed on a Resource Orchestrator admin client, the admin client must be in the same domain as SCVMM, and logged in to the domain account.
- When connecting with the L-Server console from the ROR console executed on the admin client of Resource Orchestrator, the admin client must be in the same domain as SCVMM.

## Simplifying network settings

Network settings can be easily configured by Resource Orchestrator when creating L-Servers.

Depending on the conditions, such as hardware (such as blade servers or rack mount servers) used and whether or not network redundancy is performed for L-Servers, the setting ranges of networks differ.

For details, refer to "[2.2.7 Simplifying Networks](#)" and "[9.4 Preparations for Resource Orchestrator Network Environments](#)".

## Network Configuration Example

An example network configuration using Hyper-V is given below:

Figure E.7 Configuration when Performing Network Redundancy for L-Servers on Blade Servers (Using Intel PROSet or GLS)

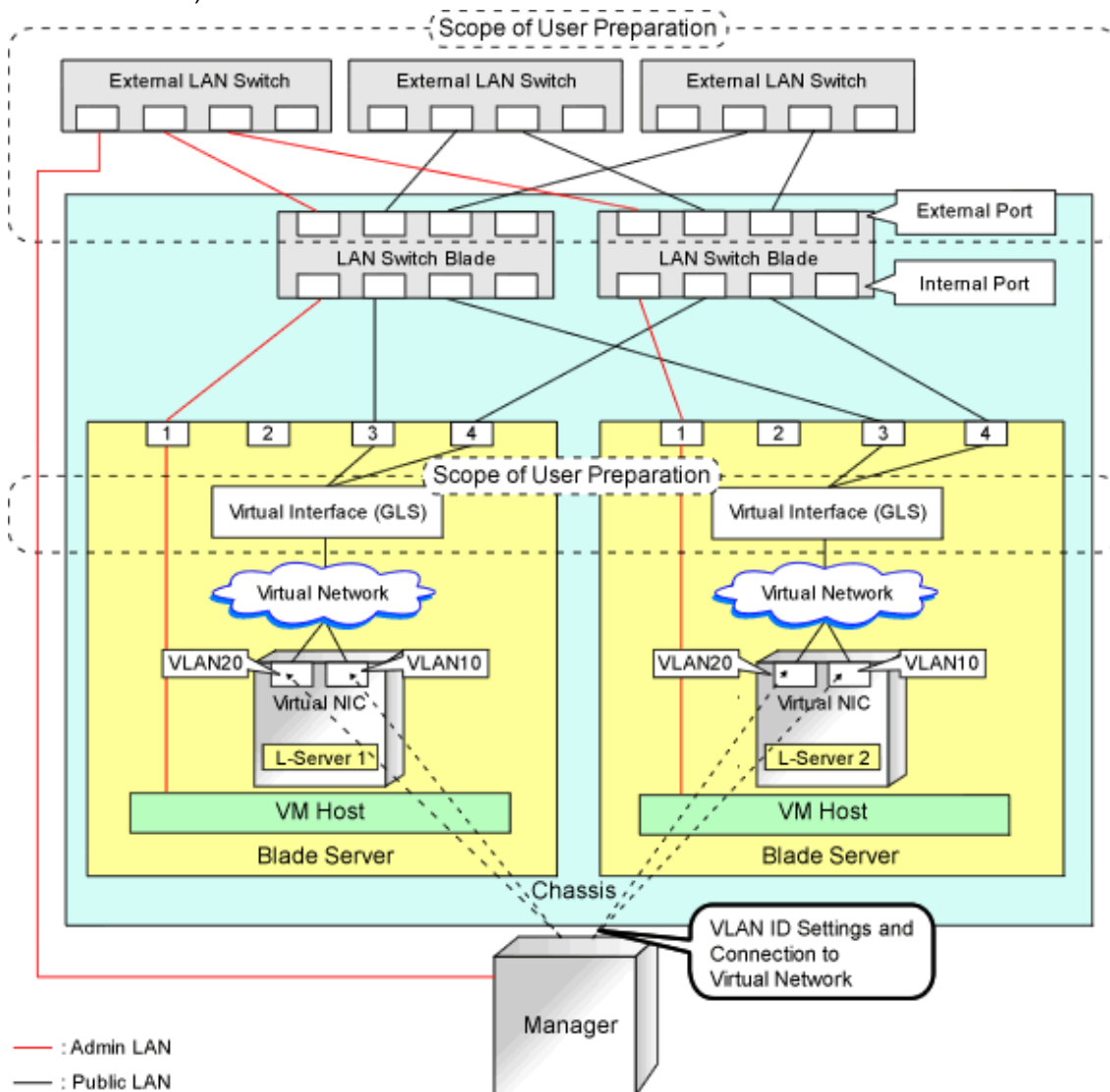
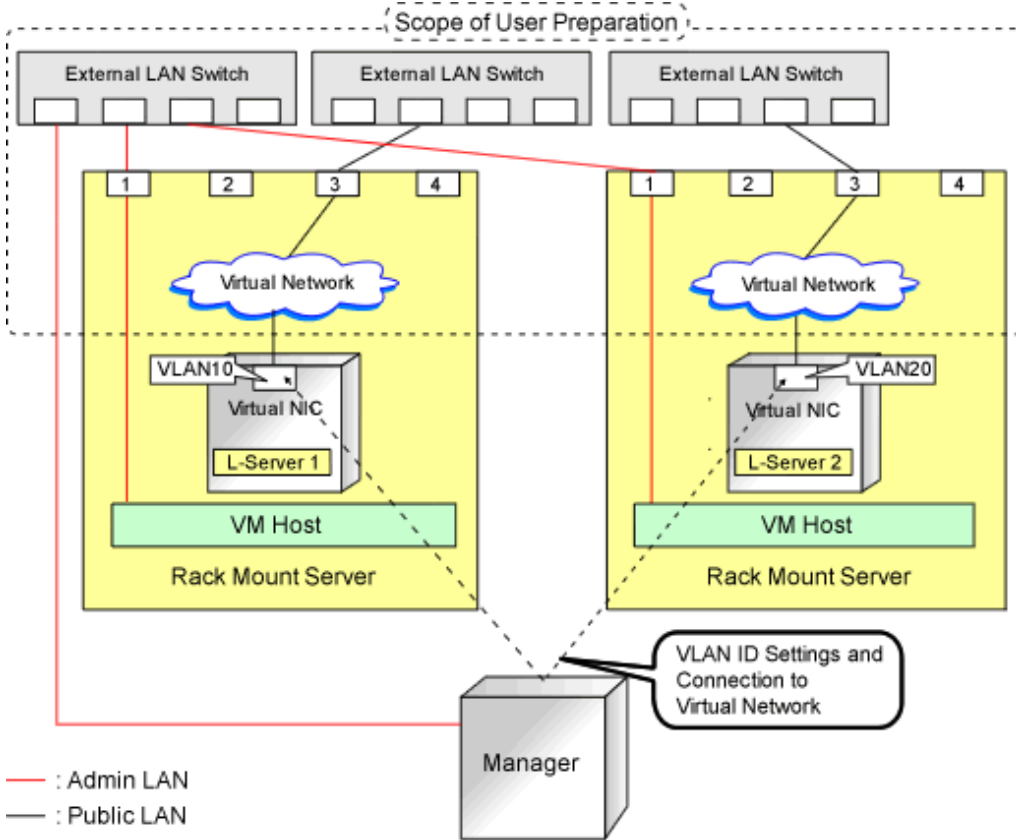


Figure E.8 Network Configurations of L-Servers for Rack Mount Servers



### Note

- For environments using servers other than blade servers or environments where network redundancy is not performed for L-Servers, it is necessary to configure the external connections of the network manually.  
For details, refer to "8.3.5 Manual Network Configuration" in the "Setup Guide CE".
- For Resource Orchestrator, configure the LAN switch blades when using switch mode or end-host mode.

Figure E.9 Configuration when Using VM Network

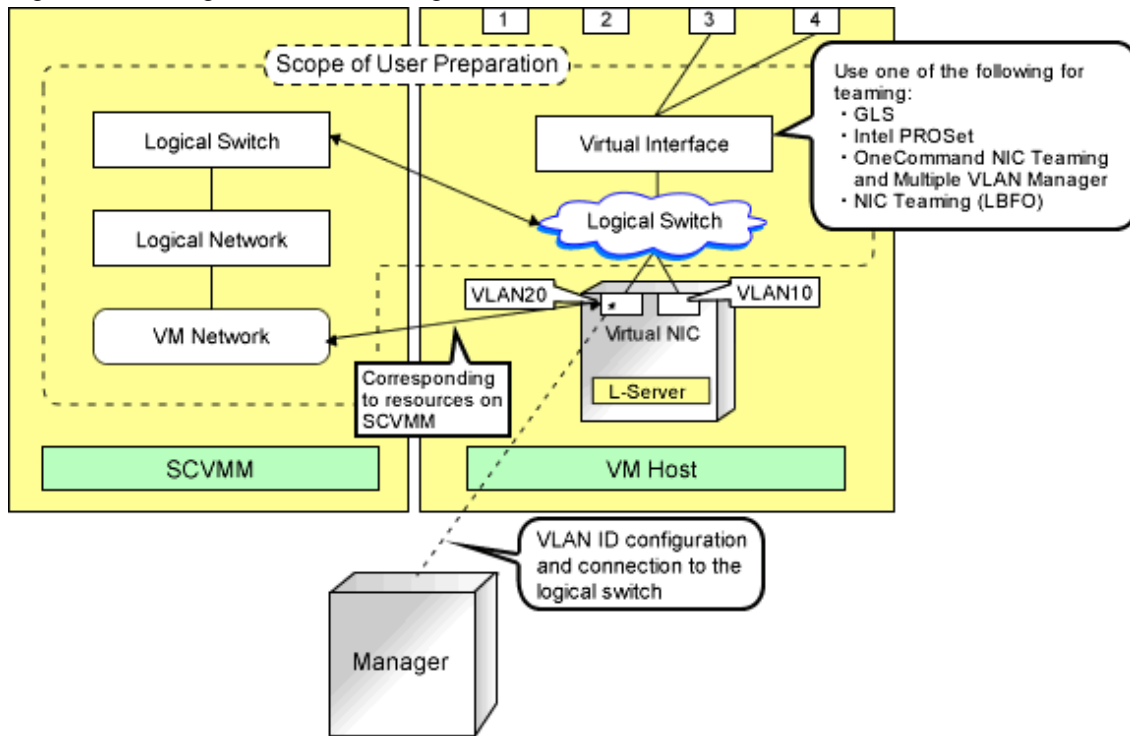
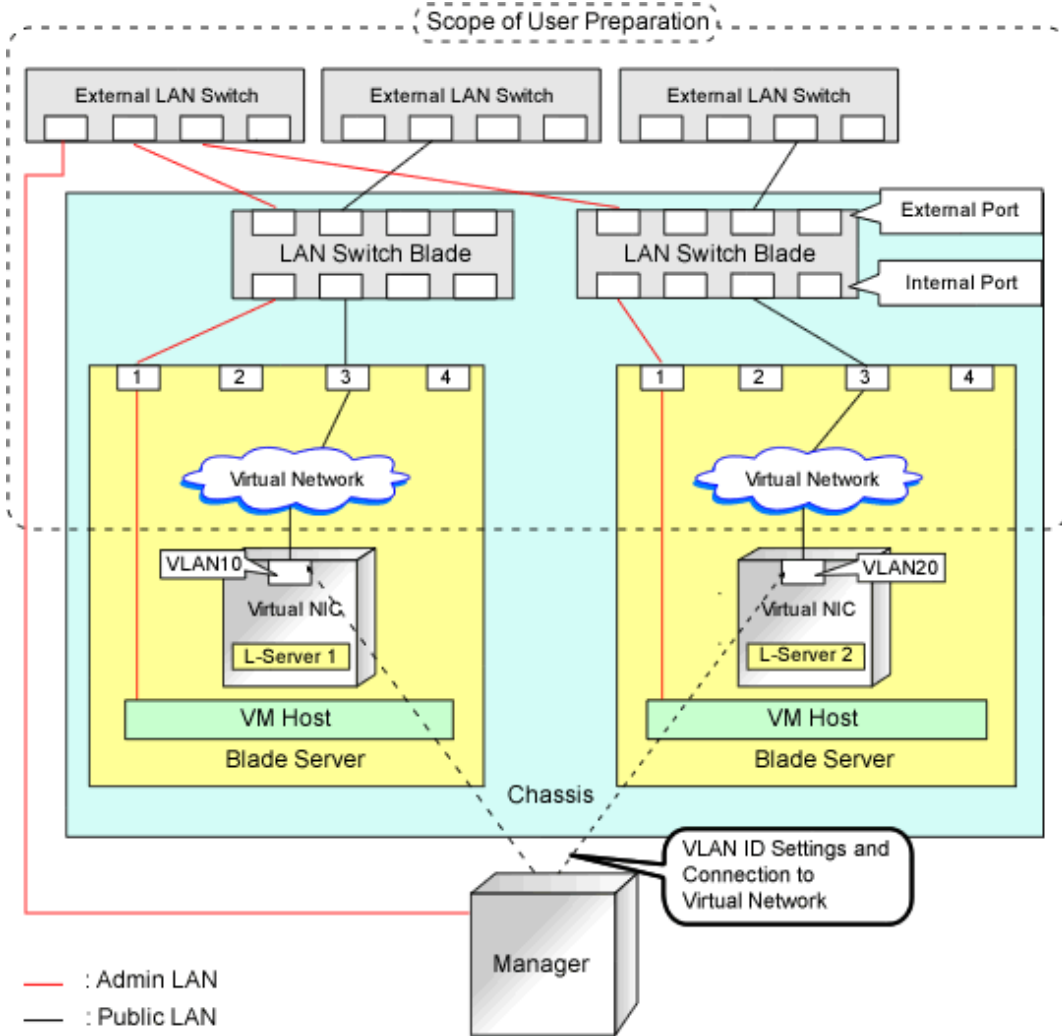


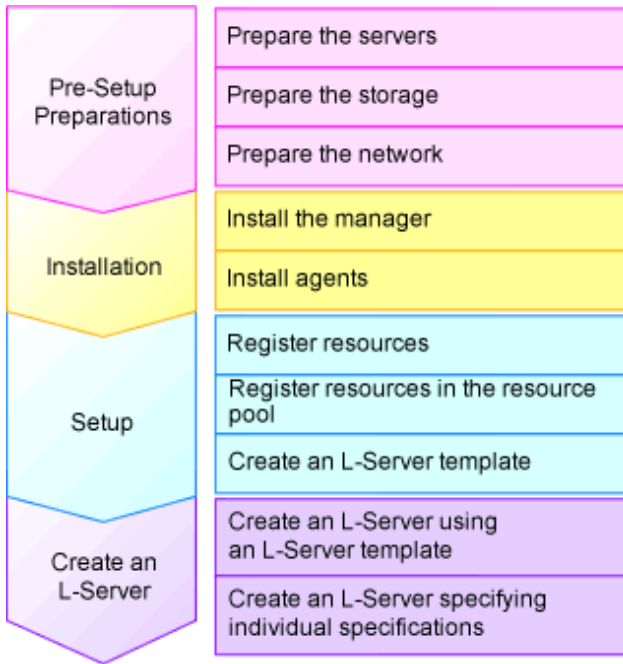
Figure E.10 Configuration When not Performing Network Redundancy for L-Servers with Blade Servers



### L-Server Creation Procedure

The procedure for creating L-Servers is shown below.

Figure E.11 Resource Orchestrator Setup Procedure



For details on pre-setup preparations, refer to "E.2 Hyper-V".

For details on how to install Resource Orchestrator, refer to "Chapter 2 Installation" in the "Setup Guide CE".

For details on setup, refer to "8.3 Hyper-V" in the "Setup Guide CE".

For details on how to create an L-Server, refer to "8.3.7 Creating L-Servers" in the "Setup Guide CE".

## E.2.2 Preparations for Servers

In addition to the operations in "Chapter 8 Defining and Configuring the Server Environment", confirm the following:

- When using I/O virtualization, that VIOM or ISM has been configured
- MSFC has been added to VM hosts
- A cluster disk has been configured as a shared cluster volume

All created L-Servers are located on a cluster as high availability VMs.

When installing a VM host on an L-Server, refer to "Appendix A Installing VM Hosts on Physical L-Servers" in the "Setup Guide CE".

## E.2.3 Storage Preparations

This section explains the preparations for setting up storage.

### Supported Storage Configurations

The supported storage configurations are as follow:

- Storage supported by Hyper-V
- Storage configured for Cluster Shared Volumes (CSV) of MSFC, including L-Server system disks and data disks

### Preparations for Storage Environments

Check the following:

- A SAN volume has been configured as a cluster disk
- Zoning and affinity have been set



- The configuration enables use of SAN environments on VM hosts

## Information

Once the infrastructure administrator registers VM management software and VM host agents, CSV is detected as a virtual storage resource of Resource Orchestrator.

The CSV name is used for the virtual storage resource name. However, when characters other than the following are included in the CSV name, they are replaced with hyphens ("-").

When this product manages two or more SCVMMs, there may be multiple CSVs with the same name. In that case, the form of virtual storage resource names is the CSV name + "\_" + serial number (Example: "\_1").

- Numerals (0 to 9)
- Alphabetical characters: upper case (A to Z), lower case (a to z)
- Hyphens ("-") and underscores ("\_")

## E.2.4 Network Preparations

---

In addition to the operations in "[Chapter 9 Defining and Configuring the Network Environment](#)", confirm the following:

- The configuration for the admin and public LANs has been designed
- The network environment for the admin LAN is configured
- The virtual switch to connect to the admin LAN has been designed and configured
- When performing network redundancy for L-Servers, using Intel PROSet or GLS with blade servers
  - The external LAN switch to connect to the LAN switch blade has been designed and configured
  - The LAN switch blade has been designed
- When not performing network redundancy for L-Servers with blade servers
  - The external LAN switch to connect to the LAN switch blade has been designed and configured
  - The LAN switch blade has been designed and configured
- When using servers other than blade servers
  - The external LAN switch to connect to servers other than blade servers has been designed and configured

## See

- For details on the server NIC definitions, refer to "15.13 Server NIC Definition" in the "Reference Guide (Command/XML) CE".
- For details on the rcxadm nicdefctl command, refer to "5.15 rcxadm nicdefctl" in the "Reference Guide (Command/XML) CE".

### When Using IBP

When using virtual L-Servers, after creating the IBP uplink sets to use for the public LAN and admin LAN, connect the IBP uplink sets to the VM host.

It is not necessary to use the same name for the uplink set and the name of the network resource.

## E.2.5 Pre-setup Preparations in Hyper-V Environments

---

Use the following procedure for pre-setup preparations for Hyper-V environments.

For details, refer to the MSFC help.

1. Installation of an Operating System and Configuration of a Domain Controller on the Domain Controller Server
2. Storage Preparations

Creation of the volume (LUN) for allocation to the MSFC of the managed server (quorum disk and cluster disk)
3. Configuration of Managed Servers
  - a. BIOS configuration (hardware virtualization and Data Execution Prevention (DEP))
  - b. Install an OS

When installing an OS on a physical server, refer to the server virtualization software manual.

When installing a VM host on an L-Server, refer to "Appendix A Installing VM Hosts on Physical L-Servers" in the "Setup Guide CE".
  - c. Join a domain
  - d. Add SNMP services
  - e. Configure SNMP services and SNMP traps
  - f. Add Hyper-V roles
  - g. Add a failover cluster function
4. Cluster Configuration of Managed Servers (MSFC)
  - a. Create an access point for cluster management on the admin LAN side.
  - b. In a quorum configuration, select one of the following:
    - When the number of nodes is even  
Select [Node and Disk Majority], and specify a quorum disk.
    - When the number of nodes is uneven  
Select [Node Majority].
  - c. Enable the shared volume of the cluster.
  - d. Add a cluster disk to a shared cluster volume.
5. Configuration After Creation of Clusters for Managed Servers
  - a. Enable remote WMI settings.
    1. In each VM host, access the Control Panel and open the [Administrative Tools]-[Computer Management].  
The [Computer Management] window is displayed.
    2. Open [Services and Applications], right-click on [WMI Control] and select [Properties].  
The [WMI Control Properties] dialog is displayed.
    3. Open the [Security] tab, select [Root]-[virtualization] and click [Security].  
The [Security for ROOT\virtualization] window is displayed.
    4. Select the login user for the VM host, and check [Allow] from [Remote Enable].
    5. When using Windows Server 2012 R2 or later, the following configuration is also needed.
      - a. Open the [Security] tab, select [Root]-[virtualization]-[v2] and click [Security].  
The [Security for ROOT\virtualization\v2] window is displayed.
      - b. Select the login user for the VM host, and check "Allow" from "Remote Enable".

- c. Click the [OK] button.
6. Open the [Security] tab, select [Root]-[MSCluster] and click [Security].  
The [Security for ROOT\MSCluster] window is displayed.
7. Check if all checkboxes are selected, excluding "Special Permissions" for the local Administrators group for the VM host. When these checkboxes are not selected, check the checkboxes.  
In the default settings, these checkboxes, other than, "Special Permissions" are all selected.
8. Click the [OK] button.

The remote WMI settings are enabled.

b. Configure the Windows firewall to enable remote WMI management.

1. On each VM host, run the "Gpedit.msc" command.  
The [Local Group Policy Editor] dialog is displayed.
2. Select the following folder:  
[Computer Configuration]-[Administrative Templates]-[Network]-[Network Connections]-[Windows Firewall]
3. If the VM host is a member of a domain, double-click [Domain Profile]; otherwise double-click [Standard Profile].  
Either one of the [Domain Profile] or [Standard Profile] screen is displayed.
4. Right-click [Windows Firewall: Allow remote administration exception properties], and select [Properties].  
The [Windows Firewall: Allow remote administration exception properties] window is displayed.
5. Select "Enabled".
6. Click the [OK] button.

c. Configure DCOM.

1. On each VM host, run the "Dcomcnfg.exe" command.  
The [Component Services] window is displayed.
2. Right-click [Component Services]-[Computers]-[My Computer], and select [Properties].  
The [My Computer Properties] window is displayed.
3. Select the [COM Security] tab.
4. Click the [Edit Limits] button from [Launch and Activation Permissions].  
The [Launch and Activation Permission] window is displayed.
5. Select the VM host's user name under [Groups or user names:], and select the [Allow] checkbox for [Remote Launch] and [Remote Activation].
6. Click the [OK] button.
7. Click the [Edit Limits] button under [Access Permissions].  
The [Access Permission] window is displayed.
8. Select [ANONYMOUS LOGON] under [Group or user names], and check the [Allow] checkbox for [Remote Access].
9. Click the [OK] button.

6. Configuration and Installation of SCVMM

Use the following procedure to install and configure SCVMM:

- a. Install an OS
- b. Join a domain

c. Install SCVMM

Install a VMM server and a VMM management console.

d. Register a VM host

Register by the cluster. An SCVMM agent is automatically installed on newly registered VM hosts.

e. Configure Windows remote management environment

Configure remote administration on VM management software registered with Resource Orchestrator.

1. Log in to the server on which VM management software operates, using administrative privileges.
2. Execute the following command from the command prompt.

```
>winrm quickconfig <RETURN>
```

3. Enter "y", when requested.

f. SCVMM Server Web Services for Management Settings

7. Configure the Resource Orchestrator Admin Server

Configure remote management authentication settings on the machine the Resource Orchestrator admin server will be set up.

- a. Log on to the admin server as the administrator.
- b. Execute the following command from the command prompt to record the configuration details for TrustedHosts.

```
>winrm get winrm/config/client <RETURN>
```

Record the displayed details in TrustedHosts.

 Example

When multiple SCVMMs are registered

```
192.168.1.100, 192.168.1.101
```

When a single asterisk ("\*") is displayed, the following procedure is unnecessary as all hosts will be trusted in the configuration.

c. Execute the following command.

Enter the result obtained from b. for *Recorded\_content\_in\_b*.

```
>winrm set winrm/config/client @{TrustedHosts="Recorded_content_in_b, Additionally_  
registered_SCVMM_address" } <RETURN>
```

 Example

The command specification when multiple SCVMMs are registered

```
>winrm set winrm/config/client @{TrustedHosts="192.168.1.100, 192.168.1.101, Additionally registered SCVMM  
address" } <RETURN>
```

d. Execute the following command to check the details for TrustedHosts.

```
>winrm get winrm/config/client <RETURN>
```

If the address of the SCVMM additionally registered has been added to the details recorded in b., there are no problems.

## Note

- When registering multiple SCVMMs in Resource Orchestrator as VM management software, specify the IP addresses for multiple VM management software separated by commas (",") using the command for registering TrustedHosts.
- When communication from the admin server uses Windows remote management (WinRM) and is performed via a proxy server, operations such as registration of resources with Resource Orchestrator will fail.  
Therefore, perform configuration of Windows remote management (WinRM) on the admin server so that a proxy server is not used.

### 8. Apply the Latest Update Program

For the server on which the manager will be installed, managed VM hosts, SCVMM, and SCVMM agents, apply the latest updates using Microsoft Update, etc.

## SCVMM Server Web Services for Management Settings

Resource Orchestrator controls SCVMM using PowerShell Web Services for Management (hereinafter WS-Management).

Change the following settings concerned with WS-Management on the SCVMM server.

- MaxShellsPerUser
- MaxMemoryPerShellMB
- MaxConcurrentUsers
- MaxConnections

Change the values of MaxShellsPerUser (the maximum number of processes that can start shell operations for each user) and MaxConcurrentUsers (the maximum number of users who can execute a remote operation from a remote shell at the same time). For Resource Orchestrator, change settings to enable a maximum of 31 sessions.

However, since WS-Management is used for Windows administration tools and Resource Orchestrator, set a value 31 or larger for each value.

Change the MaxShellsPerUser and MaxConcurrentUsers settings using the following procedure:

1. Execute Windows PowerShell as an administrator.
2. Change the current directory using the Set-Location commandlet.

```
PS> Set-Location -Path WSMAN:\localhost\Shell <RETURN>
```

3. Check the current MaxShellsPerUser and MaxConcurrentUsers settings using the Get-ChildItem commandlet.

The contents displayed in MaxShellsPerUser and MaxConcurrentUsers are the current settings.

```
PS WSMAN:\localhost\Shell> Get-ChildItem <RETURN>
```

## Example

```
PS WSMAN:\localhost\Shell> Get-ChildItem
WSManConfig: Microsoft.WSMan.Management\WSMan::localhost\Shell

Name                           Value                Type
----                           -
AllowRemoteShellAccess         true                  System.String
IdleTimeout                     180000                System.String
MaxConcurrentUsers              5                     System.String
MaxShellRunTime                2147483647            System.String
MaxProcessesPerShell           15                    System.String
```

|                     |     |               |
|---------------------|-----|---------------|
| MaxMemoryPerShellMB | 150 | System.String |
| MaxShellsPerUser    | 5   | System.String |

4. Configure MaxShellsPerUser and MaxConcurrentUsers using the Set-Item commandlet.

### Example

When setting MaxShellsPerUser and MaxConcurrentUsers as "36"

```
PS WSMAN:\localhost\Shell> Set-Item .\MaxShellsPerUser 36 <RETURN>
PS WSMAN:\localhost\Shell> Set-Item .\MaxConcurrentUsers 36 <RETURN>
```

Next, change the MaxMemoryPerShellMB setting.

For Resource Orchestrator, change the setting to over 1024 MB.

Change the MaxMemoryPerShellMB setting using the following procedure:

1. Check the current MaxMemoryPerShellMB setting using the Get-ChildItem commandlet.

The content displayed in MaxMemoryPerShellMB is the current setting.

```
PS WSMAN:\localhost\Shell> Get-ChildItem <RETURN>
```

2. Configure MaxShellsPerUser using the Set-Item commandlet.

### Example

When setting MaxMemoryPerShellMB as "1024"

```
PS WSMAN:\localhost\Shell> Set-Item .\MaxMemoryPerShellMB 1024 <RETURN>
```

Finally, change the MaxConnections setting. In Resource Orchestrator, the maximum number of sessions is 31, so change the setting. Since WS-Management is used for Windows administration tools and Resource Orchestrator, set a value of 32 or larger.

Change the MaxConnections setting using the following procedure:

1. Change the current directory using the Set-Location commandlet.

```
PS> Set-Location -Path WSMAN:\localhost\Service <RETURN>
```

2. Check the current MaxConnections setting using the Get-ChildItem commandlet.

The content displayed in MaxConnections is the current setting.

```
PS WSMAN:\localhost\Service> Get-ChildItem <RETURN>
```

3. Configure MaxConnections using the Set-Item commandlet.

### Example

When setting MaxConnections as "46"

```
PS WSMAN:\localhost\Service> Set-Item .\MaxConnections 46 <RETURN>
```

## E.3 RHEL5-Xen

This section explains how to configure RHEL5-Xen as server virtualization software.

Pre-setup preparations are required to create and manage RHEL5-Xen virtual machines as L-Servers of Resource Orchestrator.

For details on pre-setup preparations for RHEL5-Xen environments, refer to the RHEL5-Xen manual.

- Red Hat Enterprise Linux 5 Virtualization Guide

URL: [http://docs.redhat.com/docs/en-US/Red\\_Hat\\_Enterprise\\_Linux/5/html/Virtualization/index.html](http://docs.redhat.com/docs/en-US/Red_Hat_Enterprise_Linux/5/html/Virtualization/index.html)

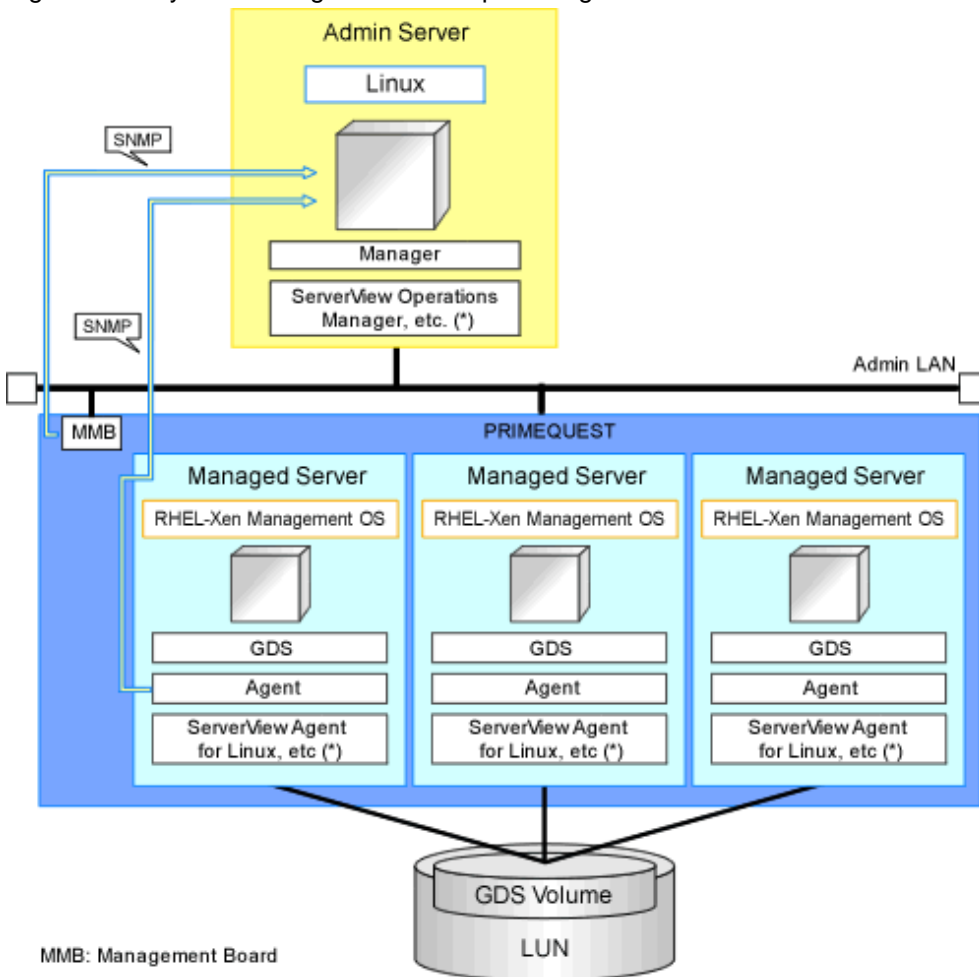
### E.3.1 System Configuration

This section explains the system configuration necessary when using RHEL5-Xen as server virtualization software.

#### Example of System Configuration

An example system configuration using RHEL5-Xen is given below.

Figure E.12 System Configuration Example Using RHEL5-Xen

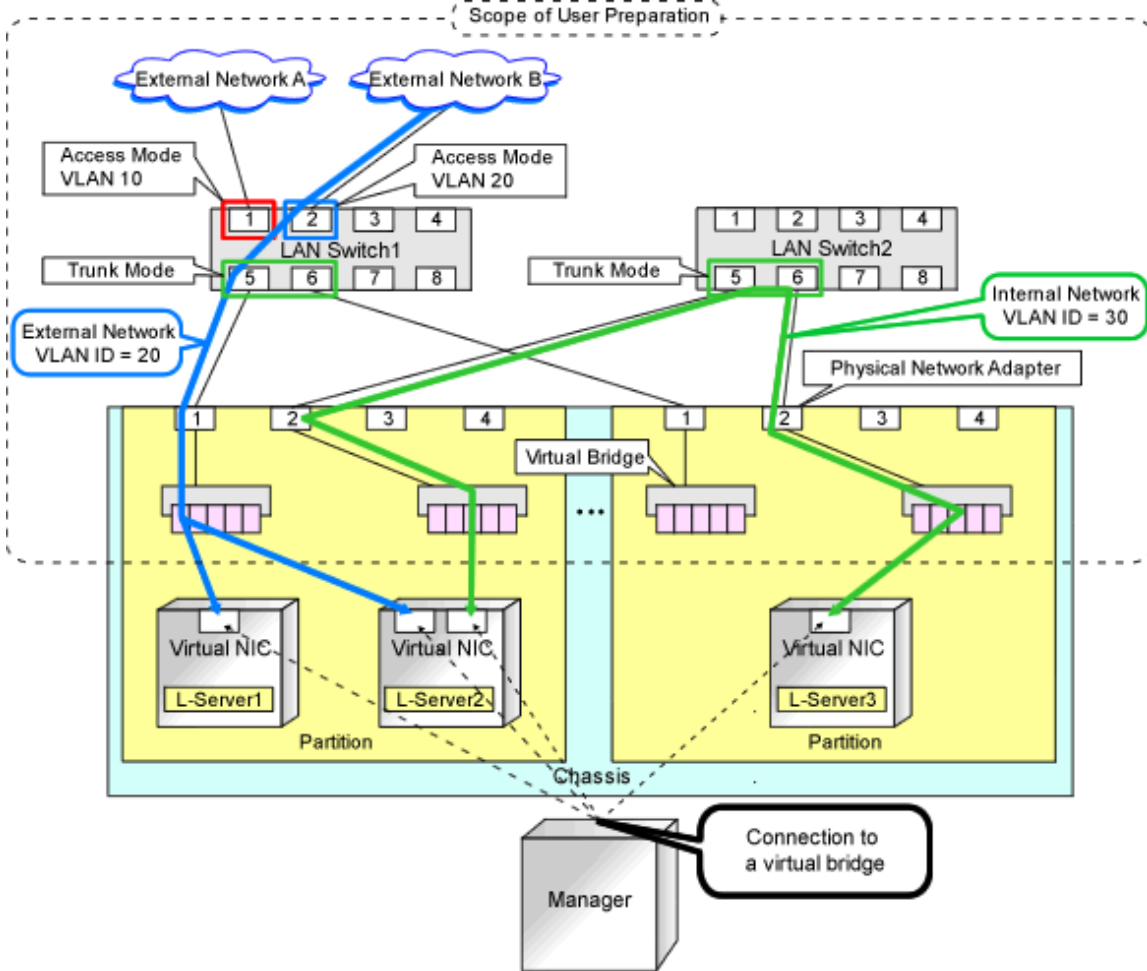


\* Note: For details of the required software, refer to "6.1.2.4 Required Software" in the "Overview".

#### Network Configuration Example

An example network configuration using RHEL5-Xen is given below:

Figure E.13 Virtual Bridge Settings Using Network Resources

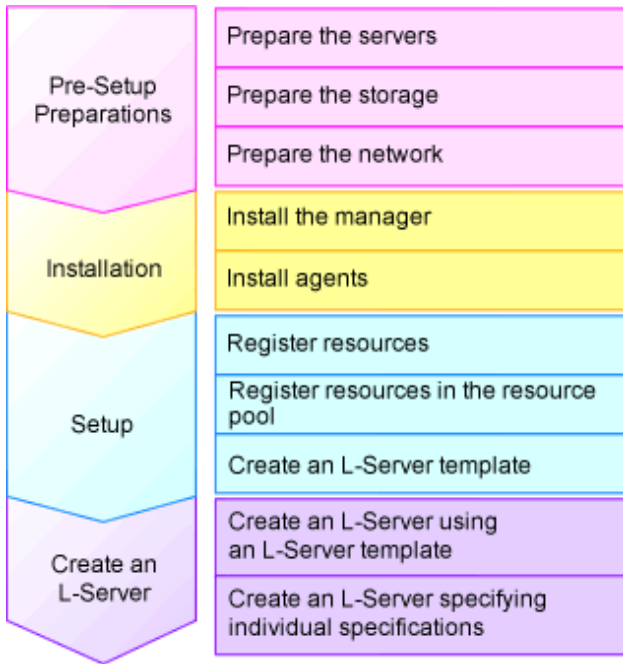


### L-Server Creation Procedure

Use the following procedure to create L-Servers:



Figure E.14 Resource Orchestrator Setup Procedure



For details on pre-setup preparations, refer to "E.3 RHEL5-Xen".

For details on how to install Resource Orchestrator, refer to "Chapter 2 Installation" in the "Setup Guide CE".

For details on setup, refer to "8.4 RHEL5-Xen" in the "Setup Guide CE".

For details on how to create an L-Server, refer to "8.4.6 Creating L-Servers" in the "Setup Guide CE".

## E.3.2 Preparations for Servers

In addition to the operations in "Chapter 8 Defining and Configuring the Server Environment", the following operations are necessary.

- Installation and configuration of the admin OS
  - Install and configure the admin OS of domain 0.
- Installation and configuration of GDS on the admin OS
  - For details, refer to the GDS manual.
- Configure SSH connection
  - Perform configuration to enable SSH connections from the admin server of Resource Orchestrator to the VM host using the admin LAN.

## E.3.3 Storage Preparations

This section explains the preparations for setting up storage.

### Supported Storage Configurations

The supported storage configurations are as follow:

- Storage supported by RHEL5-Xen
  - For details on the storage supported by RHEL5-Xen, refer to the RHEL5-Xen manual.

### Preparations for Storage Environments

Check the following:

- Volumes (LUNs) to assign to the admin OS have already been created
  - The LUN must be larger than the size to allocate to the L-Server.
- Zoning and affinity have been set

- The LUN has already been set as the shared class of GDS

Start the name of the shared class and single disk with "rcx".

Do not overlap the class name within the VM hosts registered in Resource Orchestrator.

For details, refer to the ETERNUS and GDS manuals.

## Information

Once the infrastructure administrator registers storage management software and VM host agents, a GDS single disk is detected as a virtual storage resource.

A name consisting of the GDS disk name connected by a hyphen to the GDS class name is used for the virtual storage resource name. However, when characters other than the following are included in the name, they are replaced with hyphens ("-").

When this product manages two or more storage management products, there may be multiple GDS single disks with the same name (combination of GDS class name and GDS disk name). In that case, the form of virtual storage resource names is the name + "\_" + serial number (Example: "\_1").

- Numerals (0 to 9)
- Alphabetical characters: upper case (A to Z), lower case (a to z)
- Hyphens ("-") and underscores ("\_")

## E.3.4 Network Preparations

---

Check the following:

- The configuration for the admin and public LANs has been designed
- The network environment for the admin LAN is configured
- The VLAN ID to allocate to the network resource has been configured
- The virtual bridge has been configured beforehand
- The MAC address range for the virtual network interface (VNIF) has been decided

### When Using IBP

When using virtual L-Servers, after creating the IBP uplink sets to use for the public LAN and admin LAN, connect the IBP uplink sets to the VM host.

It is not necessary to use the same name for the uplink set and the name of the network resource.

### Creating a virtual bridge

The virtual bridge is required on the admin OS, in order to connect the L-Server to the network.

For details on how to configure virtual bridges, refer to the manual for RHEL5-Xen and "8.4.4 Manual Network Configuration" in the "Setup Guide CE".

## E.4 OVM for x86 2.2

---

This section explains how to configure OVM for x86 2.2 as server virtualization software.

Preparations are required to create and manage OVM for x86 2.2 virtual machines as L-Servers of Resource Orchestrator.

For details on preparations for OVM for x86 2.2 environments, refer to the "Oracle VM Manager User's Guide" and the "Oracle VM Server User's Guide".

Refer to the relevant version of the document, referring to the following web site:

URL: <http://www.oracle.com/technetwork/server-storage/vm/documentation/index.html>

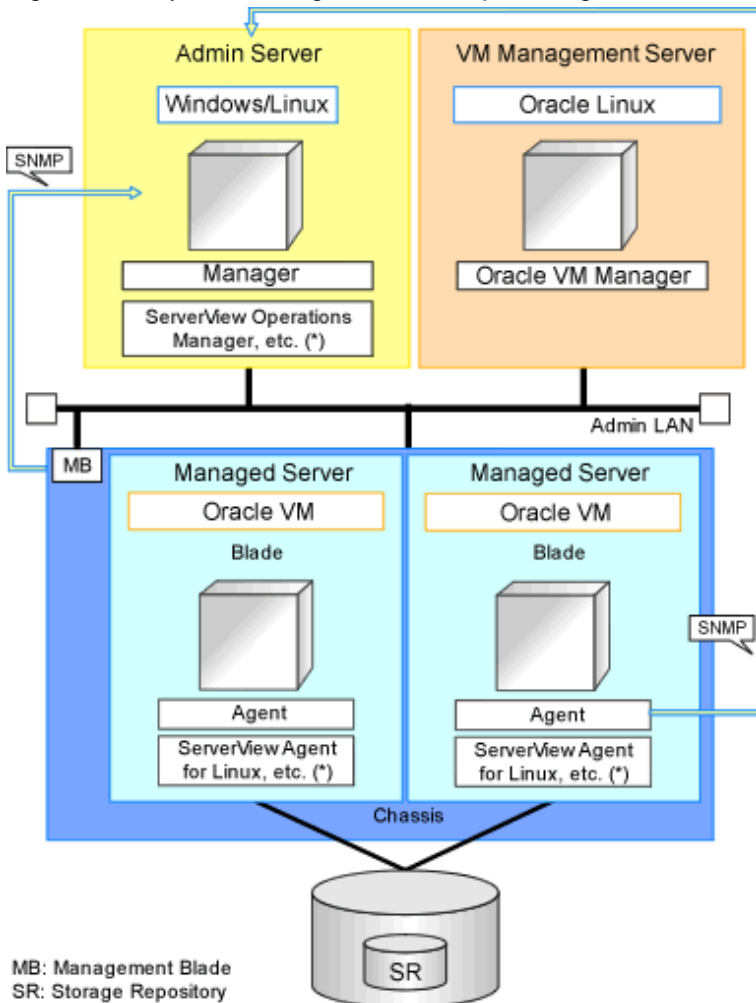
## E.4.1 System Configuration

This section explains the system configuration when using OVM for x86 2.2 as server virtualization software.

### Example of System Configuration

An example system configuration using OVM for x86 2.2 is given below.

Figure E.15 System Configuration Example Using OVM for x86 2.2



\* Note: For details of the required software, refer to "6.1.2.4 Required Software" in the "Overview".

### Simplifying network settings

Network settings can be easily configured by Resource Orchestrator when creating L-Servers.

Depending on the conditions, such as hardware (blade servers or rack mount servers) and the presence or absence of network redundancy for L-Servers, the setting ranges of networks differ.

For details, refer to "[2.2.7 Simplifying Networks](#)".

## E.4.2 Preparations for Servers

---

In addition to the operations in "[Chapter 8 Defining and Configuring the Server Environment](#)", the following operations are necessary.

- Configure VIOM or ISM

When using I/O virtualization, configuration of VIOM or ISM is necessary.

- Install and configure Oracle VM Server for x86

When installing an OS on a physical server, refer to the server virtualization software manual.

When installing a VM host on an L-Server, refer to "Appendix A Installing VM Hosts on Physical L-Servers" in the "Setup Guide CE".

- Install and configure Oracle VM Manager

Necessary for management of VM hosts and L-Servers.

- Configure server pools

Configure the server pool that contains the VM host used as the L-Server location.

For details on the configurations of server pools, refer to the "Oracle VM Server User's Guide".

- Design and configure high availability

When performing redundancy of L-Servers, enable high availability for the server pool.

- Configure SSH connection

Perform configuration to enable SSH connections from the admin server of Resource Orchestrator to the VM host using the admin LAN.

## E.4.3 Storage Preparations

---

### Supported Storage Configurations

The supported storage configurations are as follow:

- Storage supported by OVM for x86 2.2

For details on the storage supported by OVM for x86 2.2, refer to the Oracle VM manual.

### Preparations for Storage Environments

Check the following:

- Volumes (LUN) to allocate to domain 0 have been already created

The LUN must be larger than the size to allocate to the L-Server.

- Zoning and affinity have been set

### Information

---

The infrastructure administrator registers VM management product and VM host's agents. Then, root storage repository is detected as a virtual storage resource.

The root storage repository name is used for the virtual storage resource name. However, when characters other than the following are included in the root storage repository name, they are replaced with hyphens ("-").

When this product manages two or more Oracle VM Managers, there may be multiple root storage repositories with the same name. In that case, the form of virtual storage resource names is the root storage repository name + "\_" + serial number (Example: "\_1").

- Numerals (0 to 9)
  - Alphabetical characters: upper case (A to Z), lower case (a to z)
  - Hyphens ("-") and underscores ("\_")
-

## E.4.4 Network Preparations

---

Check the following:

- The configuration for the admin and public LANs has been designed
- The network environment for the admin LAN is configured
- The VLAN ID to allocate to the network resource has been configured
- The virtual bridge has been configured beforehand

### When Using IBP

When using virtual L-Servers, after creating the IBP uplink sets to use for the public LAN and admin LAN, connect the IBP uplink sets to the VM host. It is not necessary to use the same name for the uplink set and the name of the network resource.

### Creating a virtual bridge

A virtual bridge is required on domain 0, in order to connect the L-Server to the network.

The virtual bridge is configured by default. When changing the settings, refer to the "Oracle VM Server User's Guide" and "8.5.4 Manual Network Configuration" in the "Setup Guide CE".

## E.5 RHEL-KVM

---

This section explains how to configure RHEL-KVM as server virtualization software.

Pre-setup preparations are required to create and manage RHEL-KVM virtual machines as L-Servers of Resource Orchestrator.

Preparations differ depending on the storage in use.

- For SAN configurations  
Refer to "[E.5.3 Storage Preparations \(SAN Configurations\)](#)".
- For NAS configurations  
Refer to "[E.5.4 Storage Preparations \(NAS Configurations\)](#)".

For details on pre-setup preparations for RHEL-KVM environments, refer to the RHEL-KVM manual as well.

- Red Hat Enterprise Linux 6 Virtualization Administration Guide
- Red Hat Enterprise Linux 6 Virtualization Getting Started Guide
- Red Hat Enterprise Linux 6 Virtualization Host Configuration and Guest Installation Guide

URL:

[https://access.redhat.com/site/documentation/en-US/Red\\_Hat\\_Enterprise\\_Linux/index.html](https://access.redhat.com/site/documentation/en-US/Red_Hat_Enterprise_Linux/index.html)

### E.5.1 System Configuration

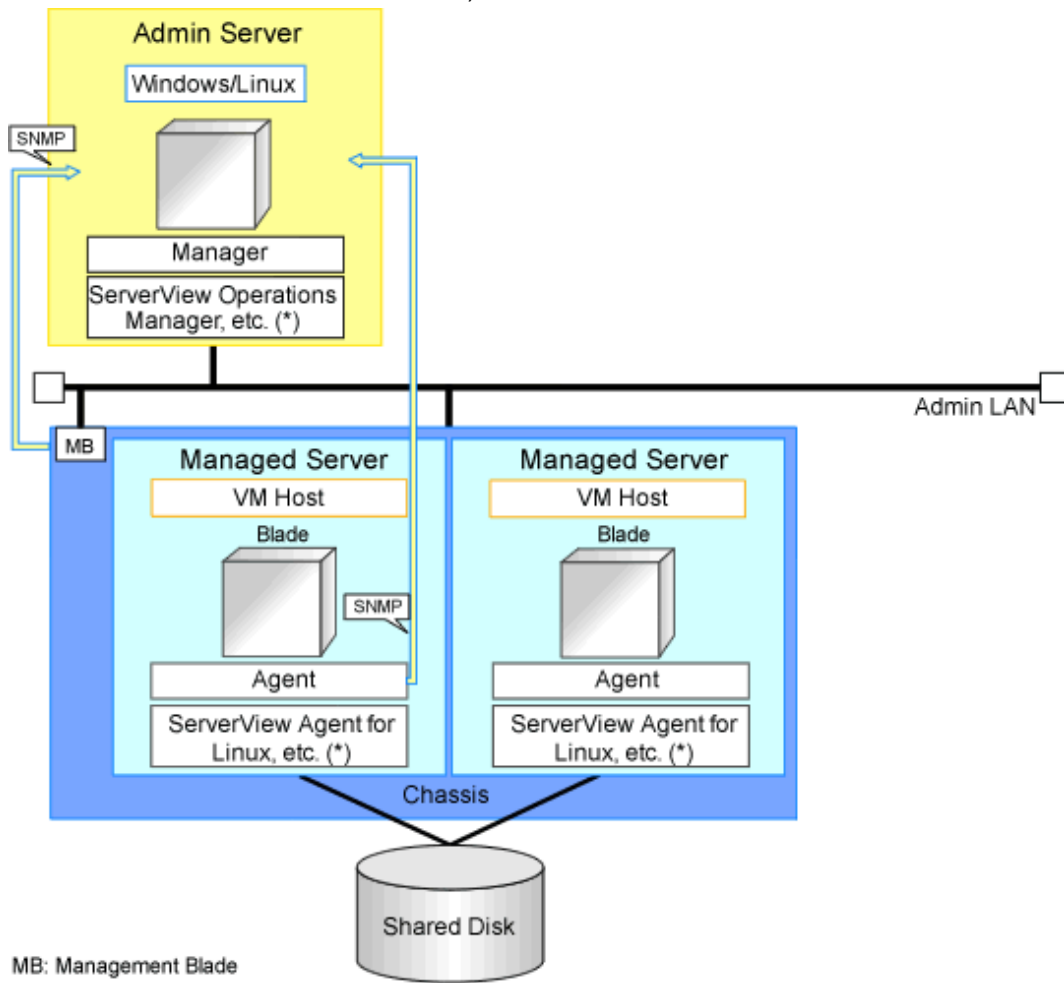
---

This section explains the system configuration necessary when using RHEL-KVM as server virtualization software.

#### Example of System Configuration

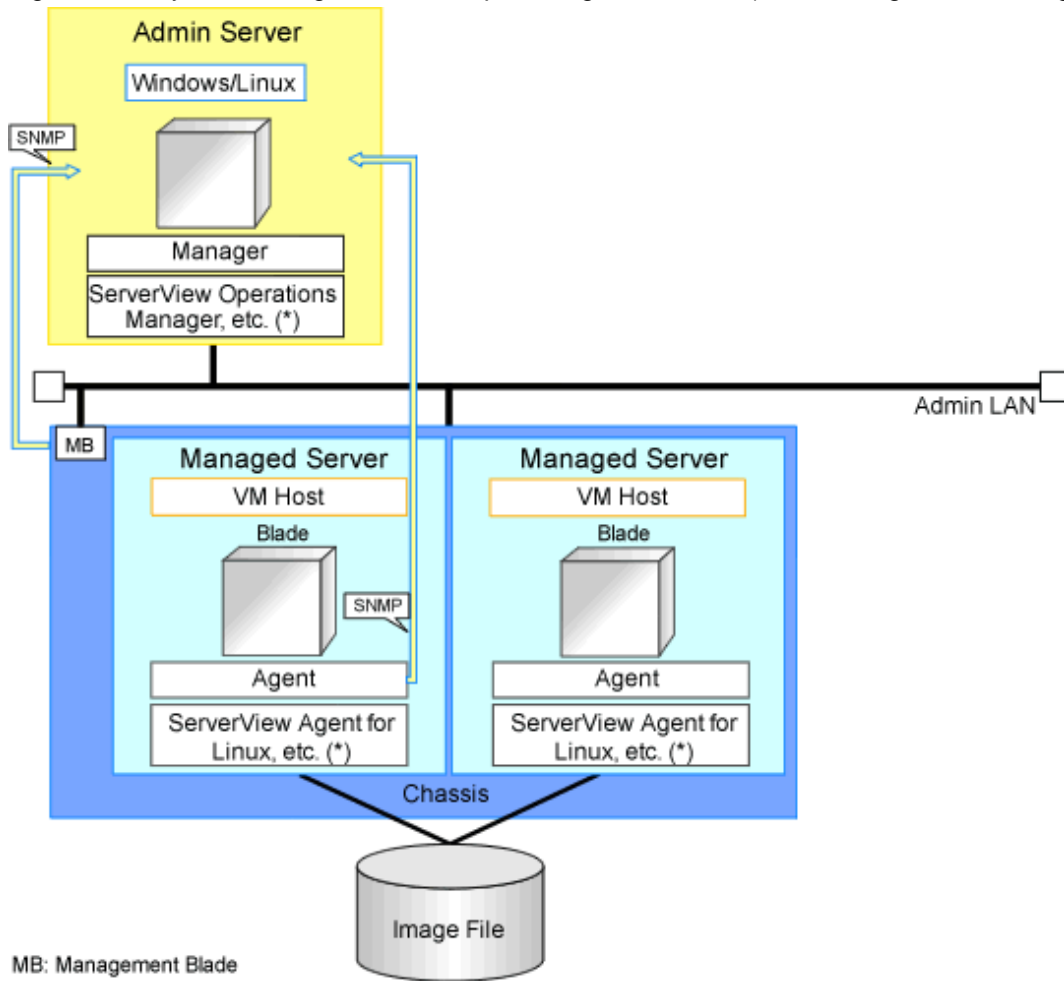
An example system configuration using RHEL-KVM is given below.

Figure E.16 System Configuration Example Using RHEL-KVM (When Using Disk Resources for VM Guests that were Created in Advance such as LUN)



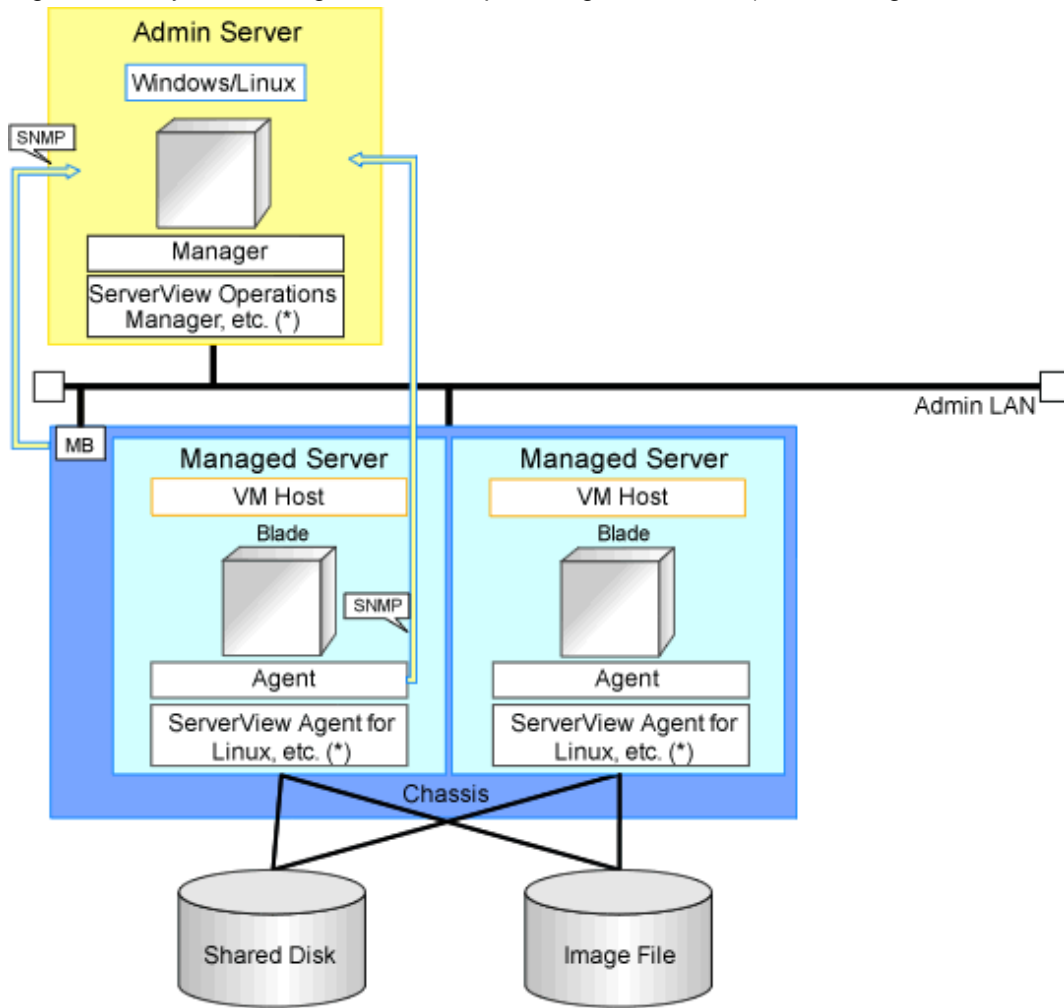
\* Note: For details of the required software, refer to "6.1.2.4 Required Software" in the "Overview".

Figure E.17 System Configuration Example Using RHEL-KVM (When Using a NAS Configuration)



\* Note: For details of the required software, refer to "6.1.2.4 Required Software" in the "Overview".

Figure E.18 System Configuration Example Using RHEL-KVM (When Using Both of the Above Configurations)



MB: Management Blade

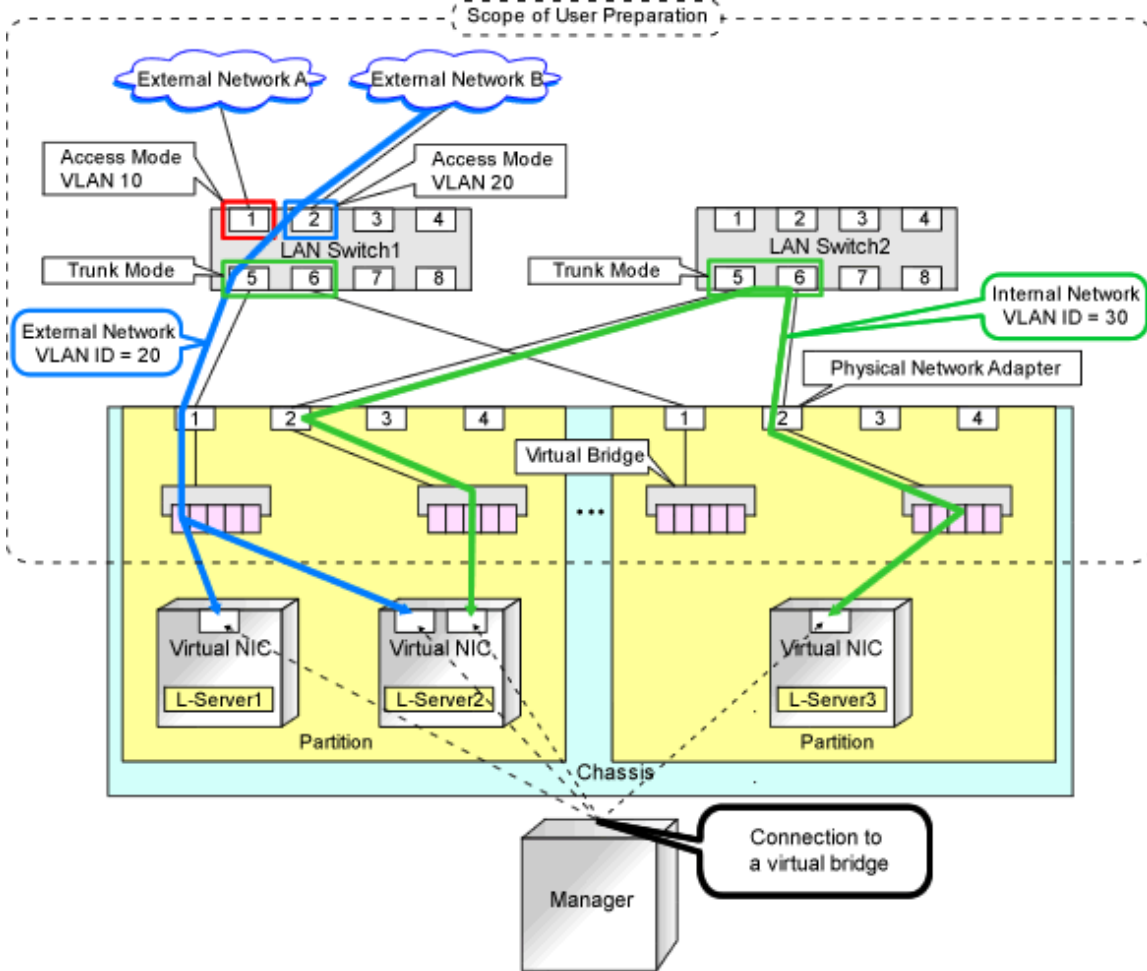
\* Note: For details of the required software, refer to "6.1.2.4 Required Software" in the "Overview".

### Network Configuration Example

An example network configuration using RHEL-KVM is given below:



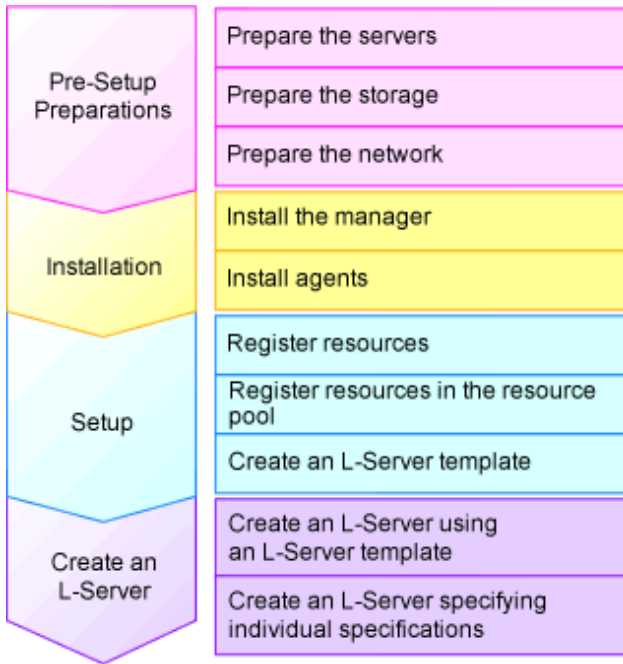
Figure E.19 Virtual Bridge Settings Using Network Resources



### L-Server Creation Procedure

The procedure for creating L-Servers is shown below.

Figure E.20 Resource Orchestrator Setup Procedure



For details on pre-setup preparations, refer to "E.5 RHEL-KVM".

For details on how to install Resource Orchestrator, refer to "Chapter 2 Installation" in the "Setup Guide CE".

For details on setup, refer to "8.6 RHEL-KVM" in the "Setup Guide CE".

For details on how to create an L-Server, refer to "8.6.6 Creating L-Servers" in the "Setup Guide CE".

## E.5.2 Preparations for Servers

In addition to the operations in "Chapter 8 Defining and Configuring the Server Environment", the following operations are necessary.

- Installation and configuration of the host OS

When installing a VM host on an L-Server, refer to "Appendix A Installing VM Hosts on Physical L-Servers" in the "Setup Guide CE".

- Settings for `/etc/sysconfig/libvirt-guests` of the host OS

`/etc/sysconfig/libvirt-guests` is a definition file that is used to automatically stop guest OSs when their hypervisor is stopped.

If a hypervisor is stopped or restarted while its guest OSs are being operated, all virtual machines on the hypervisor will be suspended. The suspension of the virtual machines is canceled when the hypervisor is started or restarted, and then suspended tasks are resumed.

Resuming tasks from the point of suspension may cause problems such as contradictions in database transactions. In order to avoid this type of problem, the settings explained in this section are required.

Edit the `/etc/sysconfig/libvirt-guests` of the VM host as follows:

1. Cancel the commenting out of the `#ON_BOOT=start` line, and then change it to `ON_BOOT=ignore`.
2. Cancel the commenting out of the `#ON_SHUTDOWN=suspend` line, and then change it to `ON_SHUTDOWN=shutdown`.
3. Cancel the commenting out of the `#SHUTDOWN_TIMEOUT=0` line, and then change it to `SHUTDOWN_TIMEOUT=300`.

For the VM guest, set the time between when the shutdown command is sent from the VM host and when the VM guest is actually powered off. The unit is seconds.

- Settings for `/etc/sysconfig/libvirtd` of the host OS

1. Add the line containing `"LANG=C"`.
2. Restart `libvirtd`.

## Note

- Version check and upgrade of libvirt packages

Check if the version of the libvirt package of the Host OS is 0.9.4-23.el6\_2.4 or later.

The libvirt package contains some security incompatibilities.

If the package is an earlier version, upgrade it.

For details, refer to the following web site.

URL: <https://access.redhat.com/knowledge/solutions/71283>

- When using RHEL6.4 or later on a VM host, check if each of the following packages is the version listed below or a later one. If the package is an earlier version, upgrade it.

- augeas-0.9.0-4.el6.x86\_64.rpm
- libvirt-0.10.2-18.el6\_4.5.x86\_64.rpm
- libvirt-client-0.10.2-18.el6\_4.5.x86\_64.rpm
- libvirt-debuginfo-0.10.2-18.el6\_4.5.x86\_64.rpm
- libvirt-devel-0.10.2-18.el6\_4.5.x86\_64.rpm
- libvirt-lock-sanlock-0.10.2-18.el6\_4.5.x86\_64.rpm
- libvirt-python-0.10.2-18.el6\_4.5.x86\_64.rpm
- sanlock-2.6-2.el6.x86\_64.rpm
- sanlock-lib-2.6-2.el6.x86\_64.rpm

There is a problem with libvirt. For details, refer to the following:

URL: [https://bugzilla.redhat.com/show\\_bug.cgi?id=953107](https://bugzilla.redhat.com/show_bug.cgi?id=953107)

- Configure SSH connection

Perform configuration to enable SSH connections from the admin server of Resource Orchestrator to the VM host using the admin LAN.

- Configure the host name for the host OS

The host name is the character string output when the following command is executed on the host OS.

```
#hostname -s <RETURN>
```

Configure the host name of the host OS to be unique among all target host OSs managed by Resource Orchestrator.

Do not configure the same host names for multiple host OSs.

## Prerequisites for L-Server Migration

Prerequisites for virtual L-Server live/cold migration in RHEL-KVM environments are described as follows:

- The following items for the source and destination VM hosts for migration must be the same
  - Kernel versions (including minor versions)  
These prerequisites are necessary for live migration.
  - CPU architectures (Intel64 or x86)
  - CPU model names
- The disk used for a virtual L-Server must be connected to the destination VM host

- The virtual bridge connected to a virtual L-Server must be in the destination VM host.

## Configuration for L-Server Live Migration

When using Resource Orchestrator in RHEL-KVM environments, SSH is used for virtual L-Server live migration.

The following settings must be configured in each host that performs live migration of L-Servers, using the manager.

- /etc/hosts configuration
- configuration when using SSH

Refer to the following sections in the "Red Hat Enterprise Linux 6 Virtualization Administration Guide", and configure the settings.

- Chapter 5. KVM live migration
- Chapter 6. Remote management of guests

URL: [http://docs.redhat.com/docs/en-US/Red\\_Hat\\_Enterprise\\_Linux/6/html/Virtualization\\_Administration\\_Guide/index.html](http://docs.redhat.com/docs/en-US/Red_Hat_Enterprise_Linux/6/html/Virtualization_Administration_Guide/index.html)

Do not set the passphrase.

Specifically, do not enter the passphrase when executing the "ssh-keygen -t rsa" command to create an SSH key pair.

For details on passphrases, refer to the following:

URL: [https://access.redhat.com/documentation/en-US/Red\\_Hat\\_Enterprise\\_Linux/6/html/Virtualization\\_Administration\\_Guide/chap-Virtualization\\_Administration\\_Guide-Remote\\_management\\_of\\_virtualized\\_guests.html](https://access.redhat.com/documentation/en-US/Red_Hat_Enterprise_Linux/6/html/Virtualization_Administration_Guide/chap-Virtualization_Administration_Guide-Remote_management_of_virtualized_guests.html)

The manuals for Red Hat Enterprise Linux can be referred to from the following URL.

URL: [https://access.redhat.com/site/documentation/en-US/Red\\_Hat\\_Enterprise\\_Linux/index.html](https://access.redhat.com/site/documentation/en-US/Red_Hat_Enterprise_Linux/index.html)

## Configuration of Swap Area for the Host OS

When there is insufficient swap area for the Host OS, the virtual L-Server may fail to start. Be sure to configure it appropriately.

For details, refer to the following section in the "Red Hat Enterprise Linux 6 Virtualization Administration Guide".

Chapter 7. Overcommitting with KVM

7.1. Introduction

URL:  
[https://access.redhat.com/site/documentation/en-US/Red\\_Hat\\_Enterprise\\_Linux/6/html/Virtualization\\_Administration\\_Guide/chap-Virtualization-Tips\\_and\\_tricks-Overcommitting\\_with\\_KVM.html](https://access.redhat.com/site/documentation/en-US/Red_Hat_Enterprise_Linux/6/html/Virtualization_Administration_Guide/chap-Virtualization-Tips_and_tricks-Overcommitting_with_KVM.html)

When it is difficult to secure sufficient swap area, it is also possible to configure the kernel parameters (/proc/sys/vm/overcommit\_memory) to avoid failure of start operations due to a lack of virtual L-Server memory space.

For details, refer to the following section in the "Red Hat Enterprise Linux 6 Performance Tuning Guide".

Chapter 5. Memory

5.4. Capacity Tuning

URL:  
[https://access.redhat.com/site/documentation/en-US/Red\\_Hat\\_Enterprise\\_Linux/6/html/Performance\\_Tuning\\_Guide/s-memory-captun.html](https://access.redhat.com/site/documentation/en-US/Red_Hat_Enterprise_Linux/6/html/Performance_Tuning_Guide/s-memory-captun.html)

## Configuration for Red Hat DM Multipath

Edit the /etc/multipath.conf configuration file, and perform the following:

- Set the `user_friendly_names` attribute to "yes".
- Do not set the `alias` attribute.
- Leave other settings at their default values.

For details, refer to the following RedHat document:

URL: [https://access.redhat.com/knowledge/docs/en-US/Red\\_Hat\\_Enterprise\\_Linux/6/html/DM\\_Multipath/index.html](https://access.redhat.com/knowledge/docs/en-US/Red_Hat_Enterprise_Linux/6/html/DM_Multipath/index.html)

The manuals for Red Hat Enterprise Linux can be referred to from the following URL.

URL: [https://access.redhat.com/site/documentation/en-US/Red\\_Hat\\_Enterprise\\_Linux/index.html](https://access.redhat.com/site/documentation/en-US/Red_Hat_Enterprise_Linux/index.html)

## E.5.3 Storage Preparations (SAN Configurations)

### Supported Storage Configurations

- Storage supported by KVM  
For details on the storage supported by KVM, refer to the KVM manual
- The method involving allocation of storage to VM guests supports only the following:

#### Entire Block Devices (such as LUN)

Due to specification changes to libvirt, when LVM partitions or physical disk partitions are allocated to a VM guest, `SG_IO` on the guest OS cannot be issued.

Resource Orchestrator only supports the method involving allocation of entire block devices, which allows `SG_IO` to be issued from the guest OS.

For details, refer to the following section in the "Virtualization Host Configuration and Guest Installation Guide".

- 6.1. Guest virtual machine prerequisites and considerations

URL:  
[https://access.redhat.com/site/documentation/en-US/Red\\_Hat\\_Enterprise\\_Linux/6/html/Virtualization\\_Host\\_Configuration\\_and\\_Guest\\_Installation\\_Guide/index.html](https://access.redhat.com/site/documentation/en-US/Red_Hat_Enterprise_Linux/6/html/Virtualization_Host_Configuration_and_Guest_Installation_Guide/index.html)



#### Note

It is not possible to allocate physical disk partitions and LVM partitions to virtual L-Servers as disk resources created in advance.

### Preparations for Storage Environments

Check the following:

- Volumes (LUNs) to assign to the virtual L-Server have already been created  
LUNs are used for virtual L-Server disks. Create the same number of LUNs as the number of necessary disks. The size of each LUN must be larger than the size of each disk.
- Volumes (LUN) to allocate to cloning images have been already created  
Cloning images are stored on LUNs. Create LUNs based on the number of cloning images to be created. The size of each LUN must be larger than the size of each cloning image.
- Zoning and affinity have been set  
When migrating VM guests for Virtual L-Servers, configure zoning and affinity, and set LUNs as shared disks.

## E.5.4 Storage Preparations (NAS Configurations)

In NAS configurations, libvirt storage pools are used.

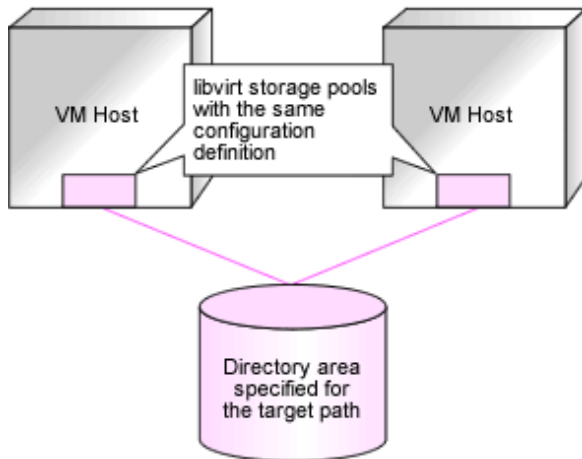
This section explains the preparations for such environments.

### Supported libvirt Storage Pool Configurations

The supported configuration is as follows:

- The supported libvirt storage pool attribute is "netfs"
- libvirt storage pools with the same configuration definition that specifies the same target path have been defined between VM hosts

Figure E.21 The libvirt Storage Pool Configuration



### Supported Format

qcow2 image files are supported.

### Effective Utilization of Storage Using Thin Provisioning

qcow2 image files use sparse allocation.

Use this feature for thin provisioning.

Thin provisioning is technology for virtualizing storage capacities. It enables efficient utilization of storage.

The function does not require the necessary storage capacity to be secured in advance, and can secure and extend the storage capacity according to how much is actually being used.

In order to use NAS configurations in Resource Orchestrator, it is necessary to configure thin provisioning.

Register virtual storage resources in a storage pool with Thin Provisioning attributes set to allocate them as the thin formatted disk resources to an L-Server.

libvirt storage pools cannot be registered as virtual storage resources in a storage pool without thin provisioning attributes set.

Thick format disk resources cannot be created from virtual storage resources.

For how to set thin provisioning attributes for a storage pool, refer to "20.2 Creating" in the "User's Guide for Infrastructure Administrators (Resource Management) CE".

For details on the display of storage capacity and the calculation method for the free space of storage pools, refer to "20.6 Viewing" in the "User's Guide for Infrastructure Administrators (Resource Management) CE".

## Preparations for Storage Environments

In the NAS configuration where libvirt storage pools are used, the directory area specified as a target path in libvirt storage pools is recognized as a virtual storage resource.

qcow2 image files are stored in that directory area. They are treated as disk resources generated automatically from the virtual storage resource.

In a storage environment using libvirt storage pools, the following pre-configuration is necessary:

- NFS server configuration
- libvirt Storage Pool Configuration on KVM Hosts that are NFS Clients

## Configuration on the NFS Server

The shared directory is a directory specified as a source path in libvirt storage pools.

Image files used by VM guests are placed there.

Configure the shared directory so that it can be accessed from the VM hosts that are NFS clients.

Configuration conditions are as follows:

- Configure so that the configuration is usable in NFS v3.
- Configure so that Read/Write access is possible.

In addition, it is recommended to configure so that NFS I/O will be performed at the same time.

## Restrictions on Shared Directories

- Allocate one disk on the NFS server for each shared directory.

### Example

```
[root@NFSServer1 ~]# cat /etc/exports <RETURN>
/home/NFS/NFSStorage_01 *(rw,no_root_squash)
/home/NFS/NFSStorage_02 *(rw,no_root_squash)
/home/NFS/NFSStorage_03 *(rw,no_root_squash)
/home/NFS/NFSStorage_04 *(rw,no_root_squash)

[root@NFSServer1 ~]# mount <RETURN>
...
/dev/vdb on /home/NFS/NFSStorage_01 type ext4 (rw)
/dev/vdc on /home/NFS/NFSStorage_02 type ext4 (rw)
/dev/vdd on /home/NFS/NFSStorage_03 type ext4 (rw)
/dev/vde on /home/NFS/NFSStorage_04 type ext4 (rw)
```

- Do not place any file or directory other than those created by Resource Orchestrator, in shared directories.
- Do not edit any file or directory created by Resource Orchestrator in shared directories.

### Note

- If the above restrictions are not followed, space management of virtual storage resources may not be possible and operations of Resource Orchestrator may fail.

- Procedure to change the NFS version to version 3 on Red Hat Enterprise Linux 6

Enable the `RPCNFSDARGS="-N 4"` line in the `RPCNFSDARGS` line `/etc/sysconfig/nfs` on the NFS server. Then, restart the NFS service on the NFS server to reflect the change.

- For the disks mounted on the shared directories on the NFS server, ensure that those disks are not unmounted when the NFS server is restarted.

---

## libvirt Storage Pool Configuration on KVM Hosts that are NFS Clients

On each VM host, create a libvirt storage pool with a shared directory specified as the source path.

When doing so, ensure that settings for the following items in the configuration definition for the libvirt storage pool are the same on each VM host:

- Name(1)
- uuid(2)
- NFS Server IP(3)
- Source Path(4)
- Target Path(5)



Do not include the following characters in the settings of the above items. If any of the following characters is included, that storage pool cannot be detected as a virtual storage resource.

- Blank spaces (" ")
- Double-byte characters
- Yen marks ("¥")
- Double quotes ("")
- Single quotes (')
- Semicolons (";")
- Parenthesis ("()")



An example of the configuration definition for a libvirt storage pool is given below:

```
<pool type='netfs'>
  <name>rcxnfs</name>(1)
  <uuid>bd0a2edc-66fb-e630-d2c9-cafc85a9cd29</uuid>(2)
  <capacity>52844822528</capacity>
  <allocation>44229459968</allocation>
  <available>8615362560</available>
  <source>
    <host name='192.168.1.1' />(3)
    <dir path='/root/rcx_nfs' />(4)
    <format type='nfs' />
  </source>
  <target>
    <path>/root/rcx_lib_pool</path>(5)
    <permissions>
      <mode>0700</mode>
```

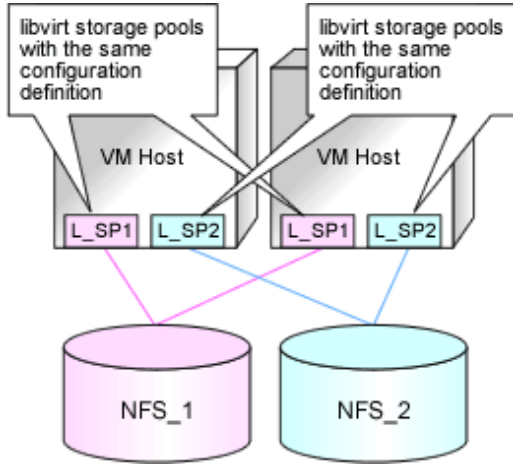


```

    <owner>-1</owner>
    <group>-1</group>
  </permissions>
</target>
</pool>

```

Figure E.22 Example of Configuration Definitions for a libvirt Storage Pool



NFS\_1, NFS\_2: Shared directories on the NFS server

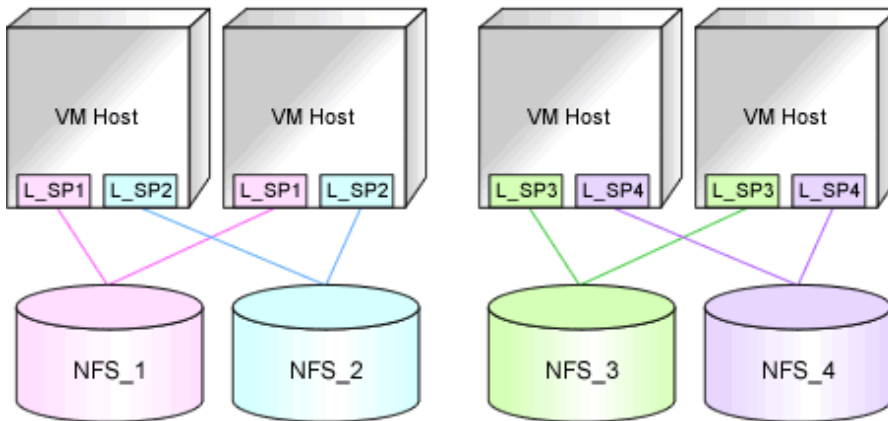
### libvirt Storage Pool Configuration Shared between Multiple VM Hosts

It is recommended to define libvirt storage pools in the same way on each VM host regarding the scope of access to shared directories.

Define libvirt storage pools in the same way on each VM host in each access scope of NFS\_1 - NFS\_4.

An example is shown below.

Figure E.23 libvirt Storage Pool Configuration Shared between Multiple VM Hosts



NFS\_1 - NFS\_4: Shared directories on the NFS server

L\_SP1 - L\_SP4: libvirt storage pools

### Configuration Procedure

This section explains the recommended procedure to perform the above configuration.

1. Create libvirt Storage Pools

- a. Create libvirt storage pools on a VM host.

libvirt storage pools can be created using virt-manager or the virsh pool-define command.

For details on how to use the virsh command and libvirt storage pools, refer to the following chapters in the "Virtualization Administration Guide".

- Chapter 14. Managing guests virtual machines with virsh
- Chapter 11. Storage concepts
- Chapter 12. Storage pools

URL: [https://access.redhat.com/site/documentation/en-US/Red\\_Hat\\_Enterprise\\_Linux/index.html](https://access.redhat.com/site/documentation/en-US/Red_Hat_Enterprise_Linux/index.html)

### Point

When creating a libvirt storage pool using virt-manager, the configuration definition file is created automatically.

When creating libvirt storage pools using the virsh pool-define command, prepare the libvirt storage pool configuration definition file beforehand.

Store the libvirt storage pool configuration definition files in /etc/libvirt/storage/ on the VM host.

- b. Check the definitions for the following items in the configuration definition file ("**<libvirt storage pool name>.xml**") for the libvirt storage pool on each VM host:
- Name
  - uuid
  - NFS Server IP
  - Source Path
  - Target Path

### Note

Confirm that the definition for uuid exists.

Confirm that `<pool type = 'netfs'>` is defined.

Do not modify the configuration definition file name.

When the file name is something other than "**<libvirt storage name>.xml**", the configuration definition file is not loaded when libvirtd is restarted and the definitions for the libvirt storage pool will disappear.

- c. Confirm that the libvirt storage pool definitions have been created.

The following is an example of libvirt storage pool definitions displayed using a command:

### Example

```
# virsh pool-list --all <RETURN>
Name                State      Autostart
-----
default             active    yes
rcxnfs              active    no
nfstest             active    yes
```

- d. Confirm that "yes" is displayed as the information for Autostart.

If "no" is displayed for Autostart, configure auto-start of the libvirt storage pool.

The following is an example of the command to do so:

## Example

```
virsh pool-autostart rcxnfs
```

## Note

If the above configuration is not performed, when libvirtd is restarted, the libvirt storage pool may remain inactive and it may not be available for use as a virtual storage resource.

### 2. Create the Configuration Definition on Each VM Host

- a. Create the same configuration definition as the one created in a. of step 1 on each VM host by executing the following virsh command:

```
virsh pool-define Full_path_of_the_configuration_definition_of_the_libvirt_storage_pool
```

## Example

```
virsh pool-define /etc/libvirt/storage/rcxnfs.xml
```

Store the libvirt storage pool configuration definition files in /etc/libvirt/storage/ on the VM host.

## Note

- If the libvirt storage pool configuration definition file is placed somewhere other than in /etc/libvirt/storage/ on the VM host, the configuration definition file is not loaded when libvirtd is restarted and definitions for the libvirt storage pool will disappear.
  - Create a libvirt storage pool on each VM host by executing the virsh pool-define command using the configuration definition file created in b. of step 1. When using the virt-manager command, uuid cannot be specified and it is not possible to match "uuid" setting in the configuration definition file of the libvirt storage pool between each KVM host.
- b. In the same way as in c. of step 1, confirm that the libvirt storage pool definitions have been created on each VM host.
  - c. In the same way as in d. of step 1, confirm that "yes" is displayed as the information for Autostart.  
If "no" is displayed for Autostart, configure auto-start of the libvirt storage pool.
  - d. Confirm that "active" is displayed as the information for State of the libvirt storage pool on each VM host. If "inactive" is displayed, start the libvirt storage pool.

## Information

When a VM host is registered as storage management software, the directory area specified as the target path in the libvirt storage pool is recognized as a virtual storage resource.

The libvirt storage pool name is used for the virtual storage resource name.

- However, when characters other than the following are included in a datastore name, they are replaced with hyphens ("-").
  - Numerals (0 to 9)
  - Alphabetical characters: upper case (A to Z), lower case (a to z)
  - Hyphens ("-") and underscores ("\_")
- libvirt storage pools with names containing multibyte characters are not detected.

- When Resource Orchestrator detects multiple libvirt storage pools with the same name, the libvirt storage pool name followed by "\_<serial number starting from 1>"(Example: "\_1") is used as the virtual storage resource name.

## E.5.5 Network Preparations

---

Check the following:

- The configuration for the admin and public LANs has been designed
- The network environment for the admin LAN is configured
- The VLAN ID to allocate to the network resource has been configured
- The virtual bridge has been configured beforehand
- The MAC address range for the virtual network interface (VNIF) has been decided

Perform the following configuration:

- In order to enable the use of virtual bridges, disable the NetworkManager service of the OS.
  1. On the managed server, disable the NetworkManager service and then enable the network service.

Execute the following command.

```
# service NetworkManager stop <RETURN>
# chkconfig NetworkManager off <RETURN>
# service network start <RETURN>
# chkconfig network on <RETURN>
```

2. Edit the /etc/sysconfig/network-scripts/ifcfg-*NIC\_name* file to change the value for NM\_CONTROLLED to "no".

### Example

- Before editing

```
DEVICE="eth0"
HWADDR="xx:xx:xx:xx:xx:xx"
NM_CONTROLLED="yes"
ONBOOT="no"
BOOTPROTO=none
```

- After editing

```
DEVICE="eth0"
HWADDR="xx:xx:xx:xx:xx:xx"
NM_CONTROLLED="no"
ONBOOT="no"
BOOTPROTO=none
```

3. Restart the managed server.

Execute the following command.

```
# shutdown -r now <RETURN>
```

- Perform configuration to allow the managed server to use the VLAN.
  1. Add "VLAN=yes" in the /etc/sysconfig/network file on the managed server using a text editor.

## Example

---

- Before editing

```
NETWORKING=yes
HOSTNAME=localhost.localdomain
```

- After editing

```
NETWORKING=yes
HOSTNAME=localhost.localdomain
VLAN=yes
```

---

2. Restart the managed server.

Execute the following command.

```
# shutdown -r now <RETURN>
```

- When using GLS for automatic network configuration, configure GLS.

For details, refer to the GLS manual.

- Creating a virtual bridge

Create a virtual bridge beforehand.

## When Using IBP

When using virtual L-Servers, after creating the IBP uplink sets to use for the public LAN and admin LAN, connect the IBP uplink sets to the VM host.

It is not necessary to use the same name for the uplink set and the name of the network resource.

## Creating a virtual bridge

The virtual bridge is required on the admin OS, in order to connect the L-Server to the network.

For details on how to configure virtual bridges, refer to the manual for RHEL-KVM and "8.6.4 Manual Network Configuration" in the "Setup Guide CE".

## E.6 Solaris Zones

---

This section explains how to virtualize a server using a Solaris zone.

However, some preliminary preparations are required in order to manage a virtual machine as an L-Server of this product.

Refer to the Solaris Zone manual for the Solaris Zone preliminary preparations.

[Solaris Zones (Solaris 11)]

```
URL: http://www.oracle.com/technetwork/documentation/solaris-11-192991.html
```

[Solaris Zones (Solaris 10)]

```
URL: http://www.oracle.com/technetwork/documentation/solaris-10-192992.html
```

## E.6.1 System Configuration

---

System configuration of the virtualized server using Solaris zones is explained here.

### Example of System Configuration

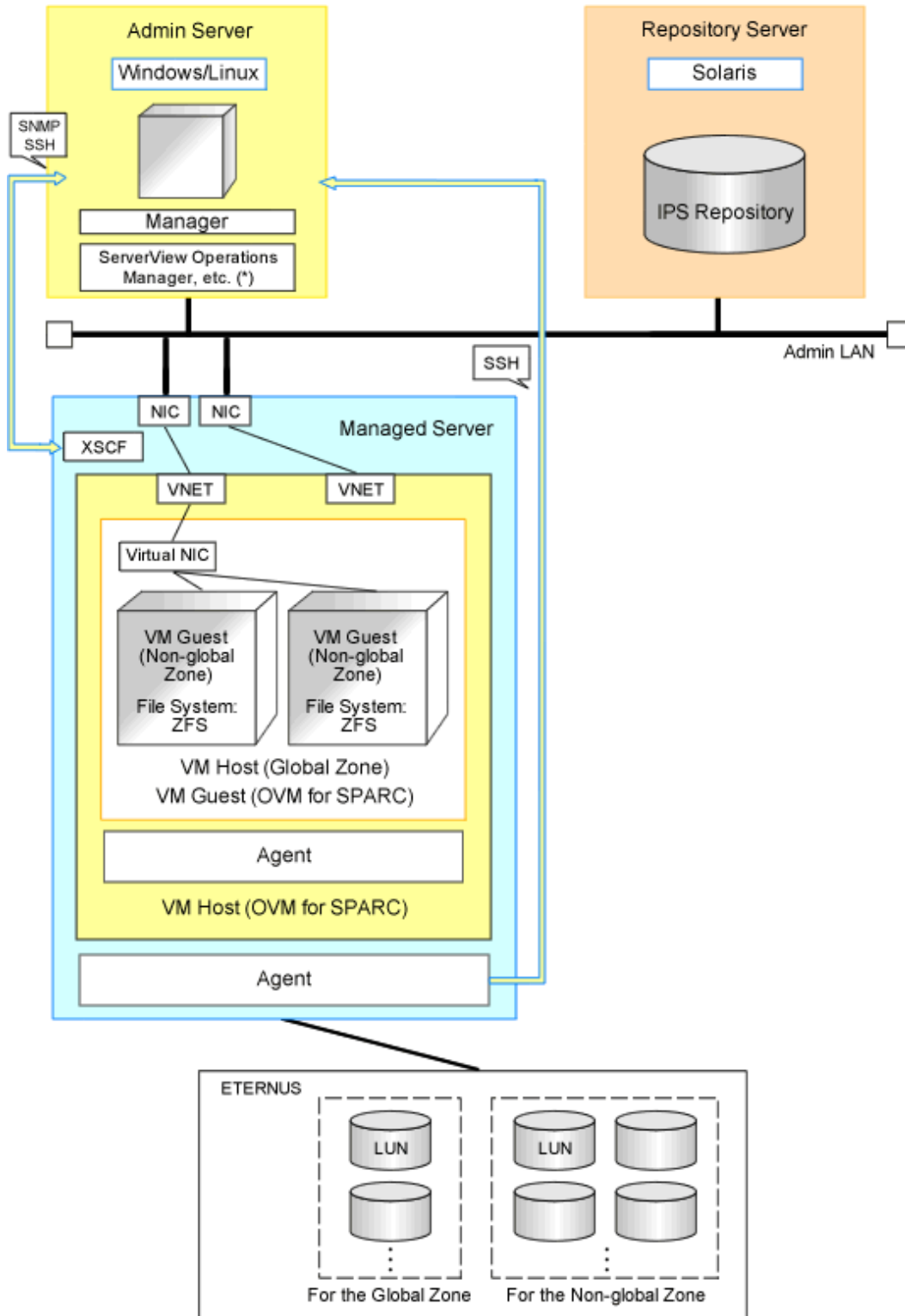
Below is a sample of system configuration when using a Solaris Zone.



When using Solaris Zones (Solaris 11), the following functions are available only when a VM host is configured on a guest domain on OVM for SPARC.

- Creation of L-Servers
- Modification of L-Server specifications
- Deletion of L-Servers

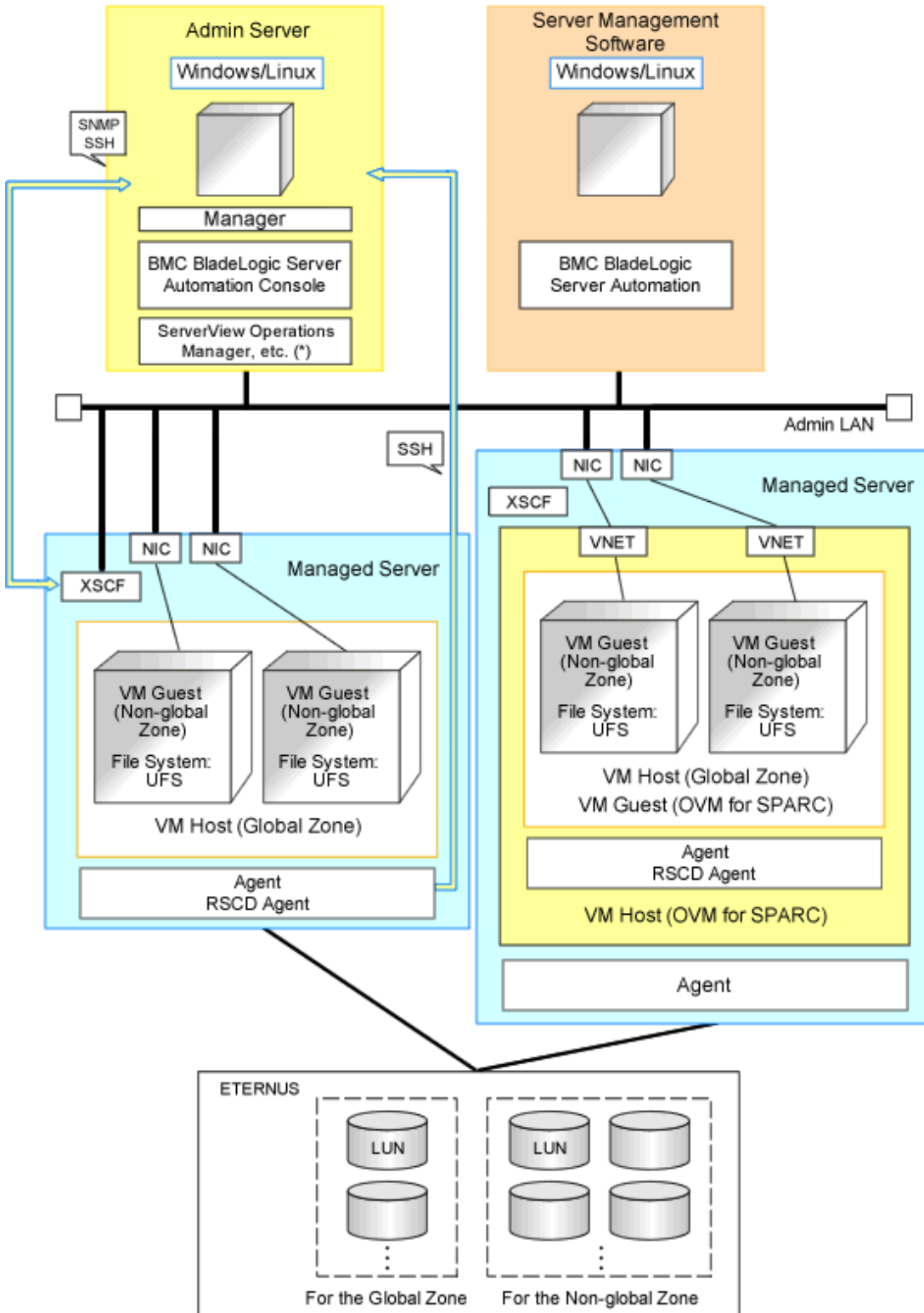
Figure E.24 System Configuration Example Using Solaris Zones (Solaris 11)



XSCF: eXtended System Control Facility

\* Note: For details of the required software, refer to "6.1.2.4 Required Software" in the "Overview".

Figure E.25 System Configuration Example Using Solaris Zones (Solaris 10)



XSCF: eXtended System Control Facility

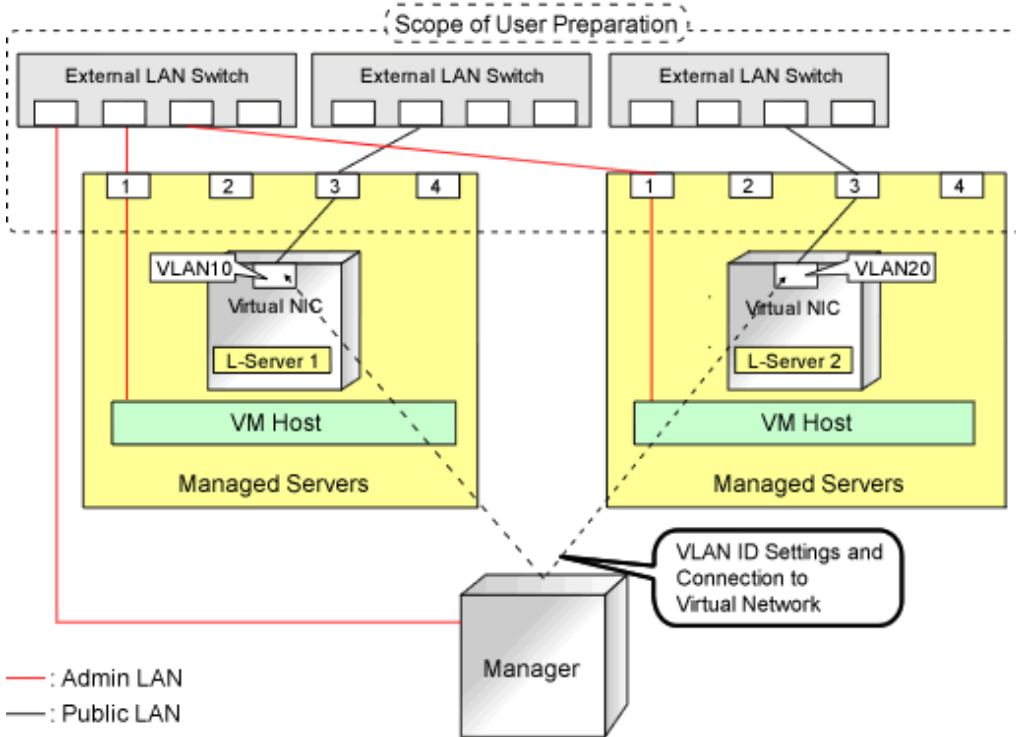
\* Note: For details of the required software, refer to "6.1.2.4 Required Software" in the "Overview".

### Network Configuration Example

An example network configuration using a Solaris zone is given below:



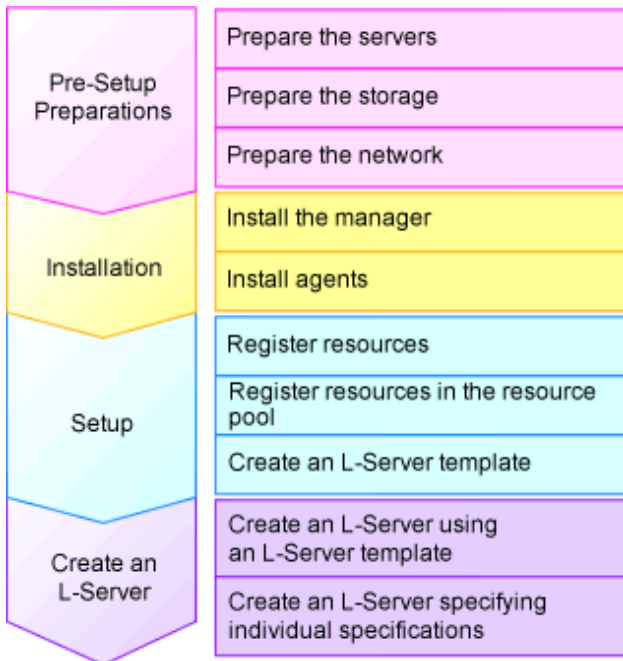
Figure E.26 Network Configuration of L-Servers for Solaris Zones



### L-Server Creation Procedure

The procedure for creating L-Servers is shown below.

Figure E.27 Resource Orchestrator Setup Procedure



For details on pre-setup preparations, refer to "E.6 Solaris Zones".

For details on how to install Resource Orchestrator, refer to "Chapter 2 Installation" in the "Setup Guide CE".

For details on setup, refer to "8.7 Solaris Zones" in the "Setup Guide CE".

For details on how to create an L-Server, refer to "8.7.7 Creating L-Servers" in the "Setup Guide CE".

## E.6.2 Preparations for Servers

---

The following procedures are required.

When you create Solaris zones on the OVM for SPARC guest domain, consider the guest domain to be a global zone, and design in the same way to create a global zone on a physical server.

### Preparation Common to Solaris Zones (Solaris 10)/Solaris Zones (Solaris 11)

- Configure the managed servers

When configuring Solaris 11 as the OS of the global zone, configure a guest domain of OVM for SPARC as a server for the global zone.

- Installation and configuration of the admin OS

Install and configure the global zone.

When the OS of the global zone is Solaris 10, use UFS as the file system.

Set SSH access permission for the global zone, and enable password authentication for accounts with administrator privileges.

When mounting a pool on a system, resources are classified using their settings.

Create pools with configurations that give consideration to operation with reduced hardware.

This configuration is necessary to obtain information of Virtual L-Servers and VM guests and perform power operation of them.

When the Logical Domains Manager daemon is enabled, VM hosts can be registered as Solaris Zones by configuring the definition files. For details, refer to "Appendix G Definition Files" in the "Setup Guide CE".

- Create the Solaris Zone resource pool

Create the Solaris Zone resource pool for the global zone and the non-global zone.

If this product is used for managing resources, create a Solaris Zones resource pool for only the non-global zone, and name the Solaris Zones resource pool "pool\_resource".

The resource pool name can be changed.

For details, refer to "8.7 Solaris Zones" in the "Setup Guide CE".

It is necessary to enable the target resource pool's service.

- Set the capping of CPU and capping of the memory for the non-global zone

Already created non-global zones will be the target of resource management when the capping value is set.

The capping supported with this product is as follows.

- CPU Capping

zone.cpu-cap

- Memory Capping

rcapd

This product does not show the capping value applied to the running non-global zone (using the `prctl` command) but configuration information of the non-global zone.

Therefore, set the `zone.cpu-cap` using the `zonecfg` command.

Design capping values based on the estimated resource usage of a non-global zone.

When the non-global zone uses resources beyond capping, it will have impact on system performance.

Refer to the relevant version of the document, referring to the following URL:

Oracle corporation

|  |
|--|
| URL: <a href="http://www.oracle.com/index.html">http://www.oracle.com/index.html</a> |
|--|

- When the non-global zone is the target of resource management, the amount of resources of this product is calculated as follows:

- CPU Capping

Number of CPUs = capping of CPUs / 100 (if there is a decimal value, round it up)

CPU performance = (capping of CPUs / (number of CPUs \* 100)) \* performance of physical CPUs(GHz)

 **Example**

- When capping of CPUs is 720 and performance of physical CPUs is 3.0GHz

Number of CPUs = 720 / 100 (rounded up) = 8

CPU performance = (720 / (8 \* 100)) \* 3.0 = 2.7(GHz)

- Memory capping

Capping of memory resources

### Preparation for Solaris Zones (Solaris 11)

- Define the Repository Server

Decide the repository server used for installing the non-global zone.

Configure the repository server as necessary.

For details on how to configure repository servers, refer to the Solaris manuals.

- Pre-configuring Managed Servers (Global Zones)

- Configure the Solaris publisher (publisher)

Configure the URI repository server for the Solaris publisher of the global zone.

For details on how to configure the publisher, refer to the Solaris manuals.

When configuring multiple Solaris publishers, the last publisher output by executing the "pkg publisher" command is used for the repository URI of the cloning image.

 **Example**

In the following example, "http://192.168.1.10:16000/" is the URI for the repository.

```
#pkg publisher <RETURN>

PUBLISHER      TYPE      STATUS  P  LOCATION
solaris        origin   online  F  http://192.168.1.10:11000/
solaris        origin   online  F  http://192.168.1.10:16000/
```

- Register Alternate MAC Addresses

Register alternate MAC addresses for the virtual network device of the guest domain that will be the global zone.

Alternate MAC address registration is necessary for virtual network devices to be used by virtual L-Servers.

Register as many alternate MAC addresses as necessary for the NICs allocated to the virtual network device.

For details on how to register alternate MAC addresses, refer to manual of the server virtualization software (OVM for SPARC).

### Preparation for Solaris Zones (Solaris 10)

- Install the RSCD Agent

When using the function that needs BMC BladeLogic Server Automation described in "[Table 11.6 Functional Differences Depending on Server Virtualization Software](#)" in "[11.1 Deciding Server Virtualization Software](#)", do so using the following procedure.

1. Install the RSCD agent.
2. Enable control of the global zone of the RSCD agent.
3. Add the managed server to BladeLogic.

At this time, specify the IP address of the managed server when adding it.

For details, contact Fujitsu technical staff.

- Pre-configuration of Server Management Software

When coordinating with BMC BladeLogic Server Automation, register BMC BladeLogic Server Automation in Resource Orchestrator as server management software. Perform pre-configuration before registration.

For details on pre-configuration, refer to "H.1 Coordination with BMC BladeLogic Server Automation" in the "Setup Guide CE".

## E.6.3 Storage Preparations

---

This section explains the preparations for setting up storage.

### Supported Storage Configurations

The supported storage configurations are as follow:

- LUNs managed by ETERNUS

### Preparations for Storage Environments [Solaris Zones (Solaris 11)]

Create a zfs storage pool in the global zone.

In order to use zfs storage pools in Resource Orchestrator, it is necessary to configure thin provisioning.

Register virtual storage resources in a storage pool with Thin Provisioning attributes set to allocate them as the thin formatted disk resources to an L-Server.

zfs storage pools cannot be registered as virtual storage resources in a storage pool without thin provisioning attributes set.

Thick format disk resources cannot be created from virtual storage resources.

For how to set thin provisioning attributes for a storage pool, refer to "20.2 Creating" in the "User's Guide for Infrastructure Administrators (Resource Management) CE".

For details on the display of storage capacity and the calculation method for the free space of storage pools, refer to "20.6 Viewing" in the "User's Guide for Infrastructure Administrators (Resource Management) CE".

### Preparations for Storage Environments [Solaris Zones (Solaris 10)]

- When using disks in non-global zones, prepare a LUN for each non-global zone.
- Mount a LUN for each zone path of a non-global zone.  
Configure a non-global zone in the mounted LUN.
- Configure /etc/vfstab so that LUNs corresponding to the zone paths used by virtual L-Servers will be mounted.
- For the zone path used by the virtual L-Server, provide only the owner of the directory with read, write, and execution permissions (700).
- The storage affinity switchover method can be used as a server switchover function.

For details on how to configure the server switchover, refer to ["8.1.6 Settings when Switching Over SPARC M10/M12 or SPARC Enterprise Servers"](#).

For details on the function, refer to "Chapter 4 Server Switchover" in the "Operation Guide VE".

- Only the server switchover function or the migration function can be used.

Perform design of the configuration based on the function that you will be using.

- When using the server switchover function, the following configurations are necessary:
  - Design the area used for the non-global zone so that it can be referred to in the same way both before and after switchover. Use the switchover SAN area for server switchover.
  - When using the server switchover function, non-global zones are not automatically started. Perform configuration so that non-global zones are automatically started when global zones are started after server switchover.
- When using the migration function, or [Relocate at startup] has been configured for the L-Server boot location, the following configurations are necessary.
  - Perform configuration so that LUNs corresponding to the zone paths used by virtual L-Servers will not be automatically mounted.
  - When using the migration function of this product, unmount the disk that is the migration source, and then mount the disk that is the migration destination. At this time, the zone paths defined in the disk resource and the /etc/vfstab mount settings for the zone paths are used for migration. Therefore, perform connection and setting so the disk on which a non-global zone is to be created can be mounted on both the migration source and destination. However, do not mount it in a location other than the global zone where the non-global zone operates.



### Note

- Do not execute the mounting of LUNs in other global zones when the LUN is shared from two or more global zones and the LUN corresponds to the zone path that a virtual L-Server uses. There is a possibility that the data of the LUN will be damaged due to an access conflict when a virtual L-Server that uses this LUN is created.

## E.6.4 Network Preparations

---

Check the following:

- The configuration for the admin and public LANs has been designed
- The network environment for the admin LAN is configured
- A global zone is already connected to the admin LAN
- NICs to be used in the non-global zones are already designed
- The IDs for distinguishing the NICs used in the non-global zone have been designed.

### When Using IBP

When using virtual L-Servers, after creating the IBP uplink sets to use for the public LAN and admin LAN, connect the IBP uplink sets to the VM host. It is not necessary to use the same name for the uplink set and the name of the network resource.

### Designing NICs to be Used in Non-Global Zones

- When creating L-Servers using Resource Orchestrator, create a non-global zone using exclusive IP settings.
- When associating already created non-global zones with L-Servers, there are no restrictions on the network configurations.
- When NICs for L-Servers are DHCP, place the DHCP servers, and configure the settings to allocate IP addresses to L-Servers.
- Design IP addresses to allocate to L-Servers that do not overlap with IP addresses that are not managed in Resource Orchestrator.

[Solaris Zones (Solaris 10)]

- For the NICs to be used by L-Servers, design them so those NICs will not be used in the global zone or non-global zones that have already been created.

- When migrating VM guests (non-global zone) between VM hosts (global zones), perform design so a NIC with the same name is used on the source and destination.

Also, design the IDs for distinguishing the NICs used by the L-Server. This value corresponds to the VLAN ID of the network resource, so use a value between 1 and 4094.

- The NIC hardware configurations must be the same on servers in the same pool.

## **E.7 OVM for SPARC**

---

This section explains how to configure OVM for SPARC as server virtualization software.

However, some preliminary preparations are required in order to manage an OVM for SPARC virtual machine as an L-Server of this product.

For details on pre-setup preparations for OVM for SPARC environments, refer to the OVM for SPARC manual.

|  |
|--|
| URL: <a href="http://www.oracle.com/technetwork/server-storage/vm/documentation/index.html">http://www.oracle.com/technetwork/server-storage/vm/documentation/index.html</a> |
|--|

### **E.7.1 System Configuration**

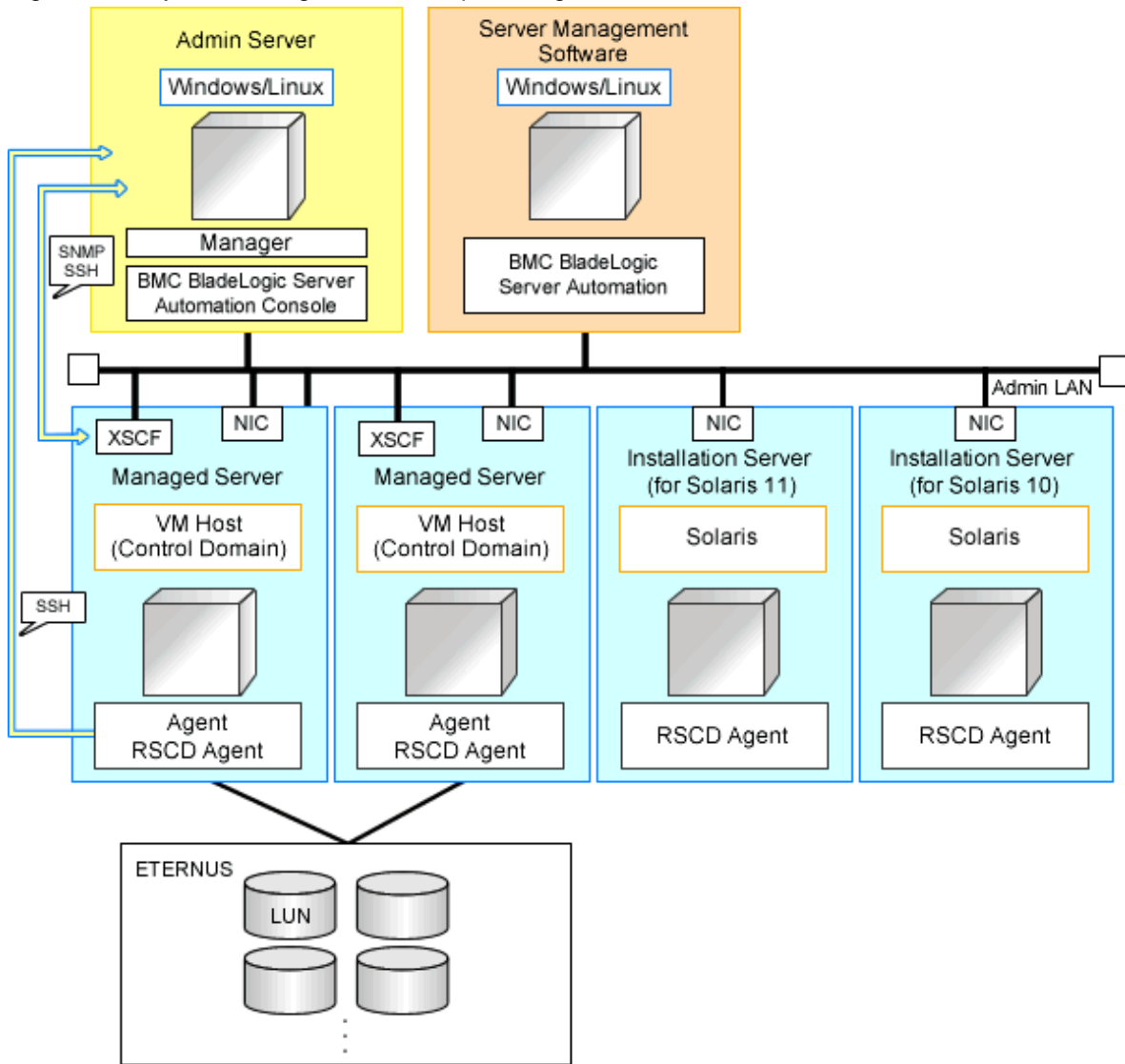
---

This section explains the system configuration when using OVM for SPARC as server virtualization software.

#### **Example of System Configuration**

An example system configuration using OVM for SPARC is given below.

Figure E.28 System Configuration Example Using OVM for SPARC



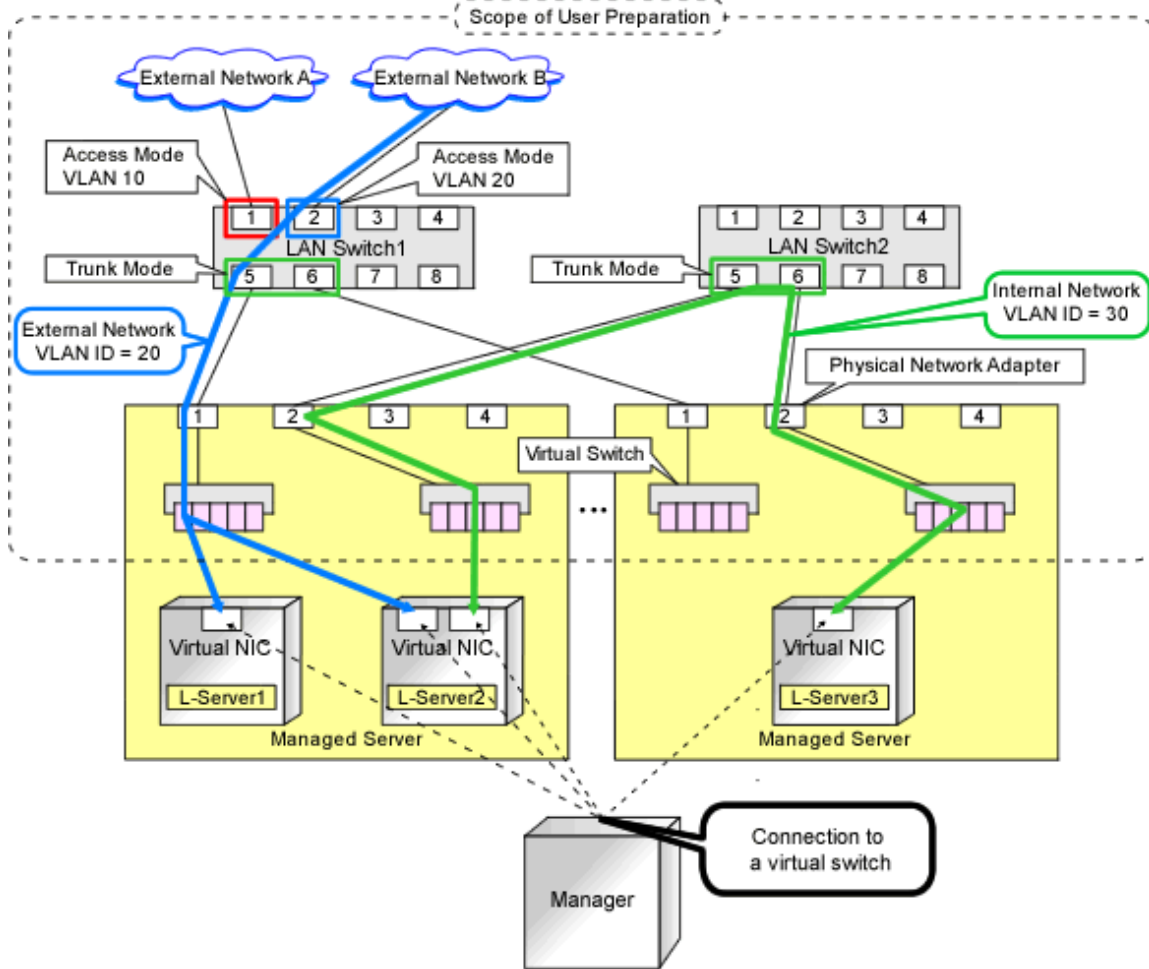
XSCF: eXtended System Control Facility

\* Note: For details of the required software, refer to "6.1.2.4 Required Software" in the "Overview".

### Network Configuration Example

An example network configuration using OVM for SPARC is given below:

Figure E.29 Virtual Switch Settings Using Network Resources

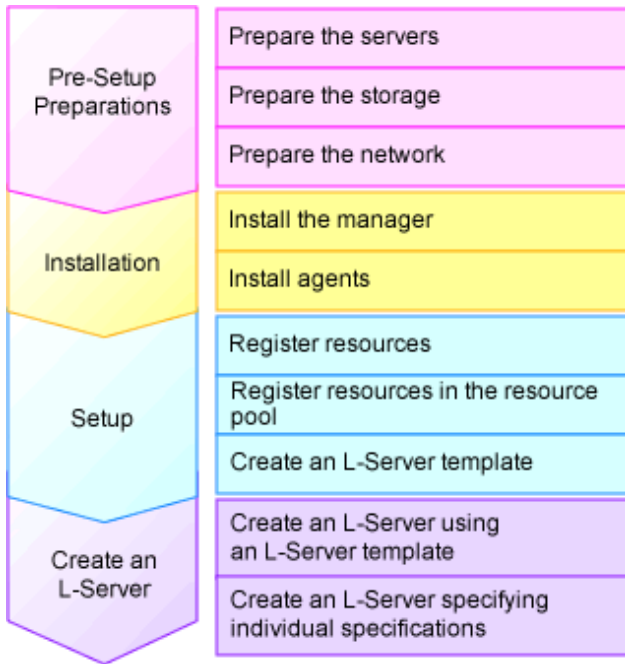


### L-Server Creation Procedure

The procedure for creating L-Servers is shown below.



Figure E.30 Resource Orchestrator Setup Procedure



For details on pre-setup preparations, refer to "E.7 OVM for SPARC".

For details on how to install Resource Orchestrator, refer to "Chapter 2 Installation" in the "Setup Guide CE".

For details on setup, refer to "8.8 OVM for SPARC" in the "Setup Guide CE".

For details on how to create an L-Server, refer to "8.8.6 Creating L-Servers" in the "Setup Guide CE".

## E.7.2 Preparations for Servers

In addition to the operations in "Chapter 8 Defining and Configuring the Server Environment", the following operations are necessary.

- Install and configure OVM for SPARC

When installing an OS on a physical server, refer to the server virtualization software manual.

Enabling the Logical Domains Manager daemon, and then configure the definition files for enabling Solaris Zones to register VM hosts based on whether the Logical Domains Manager daemon is enabled or disabled.

For details, refer to "Appendix G Definition Files" in the "Setup Guide CE".

- Configure SSH connection

Perform configuration to enable the root, with administrator authority of the guest domain, to establish SSH connections from the admin server of Resource Orchestrator to the VM host using the admin LAN.

- Configure the virtual console

Configure the virtual console using the ldm command.

- Install the RSCD agent

When using the function that needs BMC BladeLogic Server Automation described in "Table 11.6 Functional Differences Depending on Server Virtualization Software" in "11.1 Deciding Server Virtualization Software", do so using the following procedure.

1. Install the RSCD agent.
2. Add the managed server to BladeLogic.

At this time, specify the IP address of the managed server when adding it.

For details, contact Fujitsu technical staff.

- Pre-configuration of Server Management Software

When coordinating with BMC BladeLogic Server Automation, register BMC BladeLogic Server Automation in Resource Orchestrator as server management software. Perform pre-configuration before registration.

For details on pre-configuration, refer to "H.1 Coordination with BMC BladeLogic Server Automation" in the "Setup Guide CE".

- Preparation for creating an L-Server with an image specified

- When creating an L-Server with a Solaris 10 image specified

When creating an L-Server with a Solaris 10 image specified, coordinate Resource Orchestrator with BMC BladeLogic Server Automation, and install the OS using the JumpStart function of Solaris.

Therefore, the following setup is necessary.

1. Enable the provisioning function of Application Server of BMC BladeLogic Server Automation.
2. Create a JumpStart server.

For details, refer to the manual of Solaris.

**Supported configuration of the JumpStart server**

"Installation method"

Resource Orchestrator only supports installation via a Local Area Network.

Resource Orchestrator does not support the following installation styles.

- Installation via a Wide Area Network
- Installation from media

"Boot method"

Resource Orchestrator only supports a boot server (A system that acquires network information by RARP).

Resource Orchestrator does not support booting by a DHCP server.

**Configuration contents of the JumpStart server**

The settings related to clients are not required. For details, refer to the manual of Solaris.

3. Store the file required for coordination with BMC BladeLogic Server Automation in the JumpStart server.

For details, contact Fujitsu technical staff.

Store the following files in the JumpStart server.

- rscd.sh (\*1)
- bmisolaris.tar (\*1)
- nsh-install-defaults (\*2)
- check file (\*3)

\*1 It is a file included in BladeLogic Server Automation.

\*2 Create the response file required for RSCD agent installation, and store it in the JumpStart server.

\*3 Copy from the installation media of the OS. For details on the copy source, refer to the Solaris manual.

4. Install an RSCD agent in the installation server.
5. Add the installation server to BladeLogic.
6. Configure the datastore of BMC BladeLogic Server Automation.  
Create a datastore instance of "Jumpstart DataStore".
7. Configure the system package type of BMC BladeLogic Server Automation.  
Configure the system package type of "Solaris 10 Sparc".

- When creating an L-Server with a Solaris 11 image specified

When creating an L-Server with a Solaris 11 image specified, coordinate Resource Orchestrator with BMC BladeLogic Server Automation, and install the OS using the Automated Installation (hereinafter AI) function of Solaris.

Therefore, the following setup is necessary.

1. Enable the provisioning function of Application Server of BMC BladeLogic Server Automation.

2. Create an Automated Installation server.

For details, refer to the manual of Solaris.

#### **Supported configuration of the Automated Installation server**

Create the Automated Installation service, without setting up DHCP.

#### **Configuration contents of the Automated Installation server**

The settings related to clients are not required. For details, refer to the manual of Solaris.

Creation of an IPS repository server for the OS is also necessary.

Create an Automated Installation service using the following name.

|        |
|--------|
| ROR_AI |
|--------|

3. Store the file required for coordination with BMC BladeLogic Server Automation in the Automated Installation server.

For details, contact Fujitsu technical staff.

Store the following files in the Automated Installation server.

- rscd.sh (\*1)

- bmisolaris.tar (\*1)

- nsh-install-defaults (\*2)

\*1 It is a file included in BladeLogic Server Automation.

\*2 Create the response file required for RSCD agent installation, and store in the Automated Installation server.

4. Install an RSCD agent in the installation server.
5. Add the installation server to BladeLogic.
6. Configure the datastore of BMC BladeLogic Server Automation.  
Create a datastore instance of "AI DataStore".
7. Configure the system package type of BMC BladeLogic Server Automation.  
Configure the system package type of "Solaris 11 Sparc".

## **E.7.3 Storage Preparations**

---

This section explains the preparations for setting up storage.

### **Supported Storage Configurations**

The supported storage configurations are as follow:

- Storage supported by OVM for SPARC

For details on the storage supported by OVM for SPARC, refer to the OVM for SPARC manual.

- When migrating virtual L-Servers, it is necessary to use shared storage

Use shared storage that is shared by multiple VM hosts.

### **Preparations for Storage Environments**

Check the following:

- After installing and configuring OVM for SPARC, configure the virtual disk services and register the disks.
- The storage affinity switchover method can be used as a server switchover function.

For details on how to configure the server switchover, refer to "[8.1.6 Settings when Switching Over SPARC M10/M12 or SPARC Enterprise Servers](#)".

For details on server switchover, refer to "Chapter 4 Server Switchover" in the "Operation Guide VE".

- When using the server switchover function, design the area used for each domain so that it can be referred to in the same way both before and after switchover.

For server switchover, use an area that can be referred to for the access path that is the target of switchover.

- When using the server switchover function, guest domains are not automatically started.

Perform configuration so that guest domains are automatically started when control domains are started after server switchover.

## E.7.4 Network Preparations

---

Check the following:

- The configuration for the admin and public LANs has been designed
- The network environment for the admin LAN is configured
- The VLAN ID to allocate to the network resource has been configured
- The virtual switch has been configured beforehand

### Point

When creating a virtual L-Server, for NICs other than the virtual NICs connected to the subnets for the admin LAN of the control domain, pvid is configured for the virtual NIC, and communications are enabled using a tagged VLAN. Therefore, configure the virtual switch for the virtual L-Server to communicate using a tagged VLAN.

### When Using IBP

When using virtual L-Servers, after creating the IBP uplink sets to use for the public LAN and admin LAN, connect the IBP uplink sets to the VM host. It is not necessary to use the same name for the uplink set and the name of the network resource.

### Creating a virtual switch

It is necessary to create the virtual switch in OVM for SPARC, in order to connect the L-Server to the network. For details on how to create a virtual switch, refer to the OVM for SPARC manual.

## E.8 Citrix XenServer

---

This section explains how to configure Citrix XenServer as server virtualization software.

### E.8.1 System Configuration

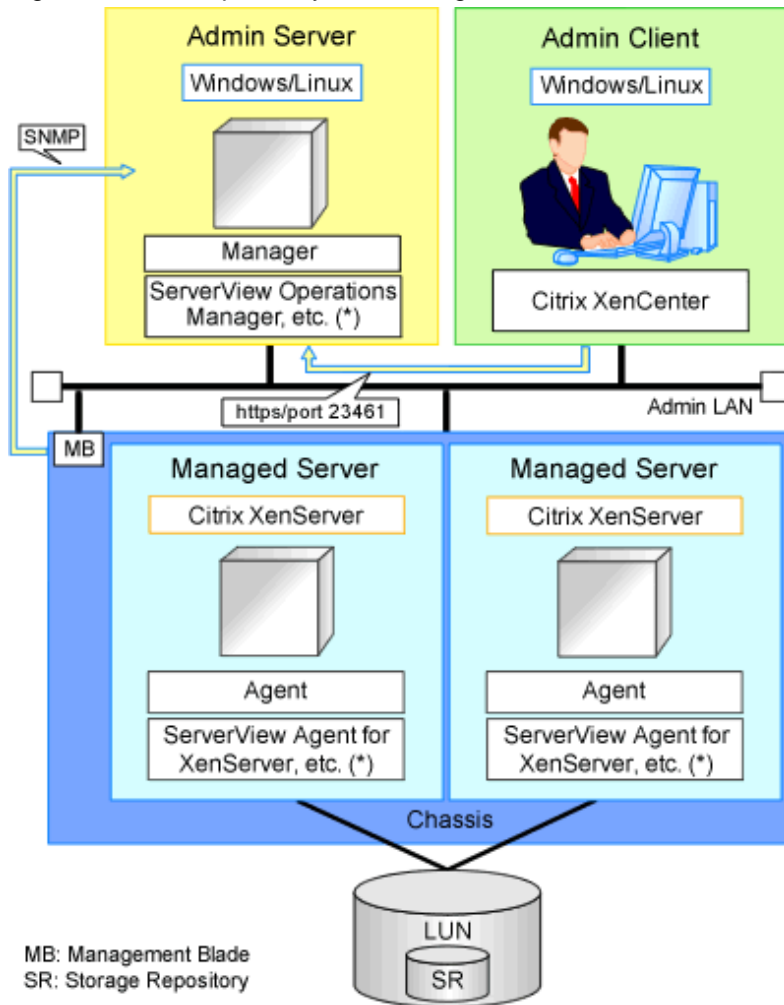
---

This section explains a system configuration.

#### Example of System Configuration

System configuration examples are given below.

Figure E.31 Example of System Configuration



\* Note: For details of the required software, refer to "6.1.2.4 Required Software" in the "Overview".

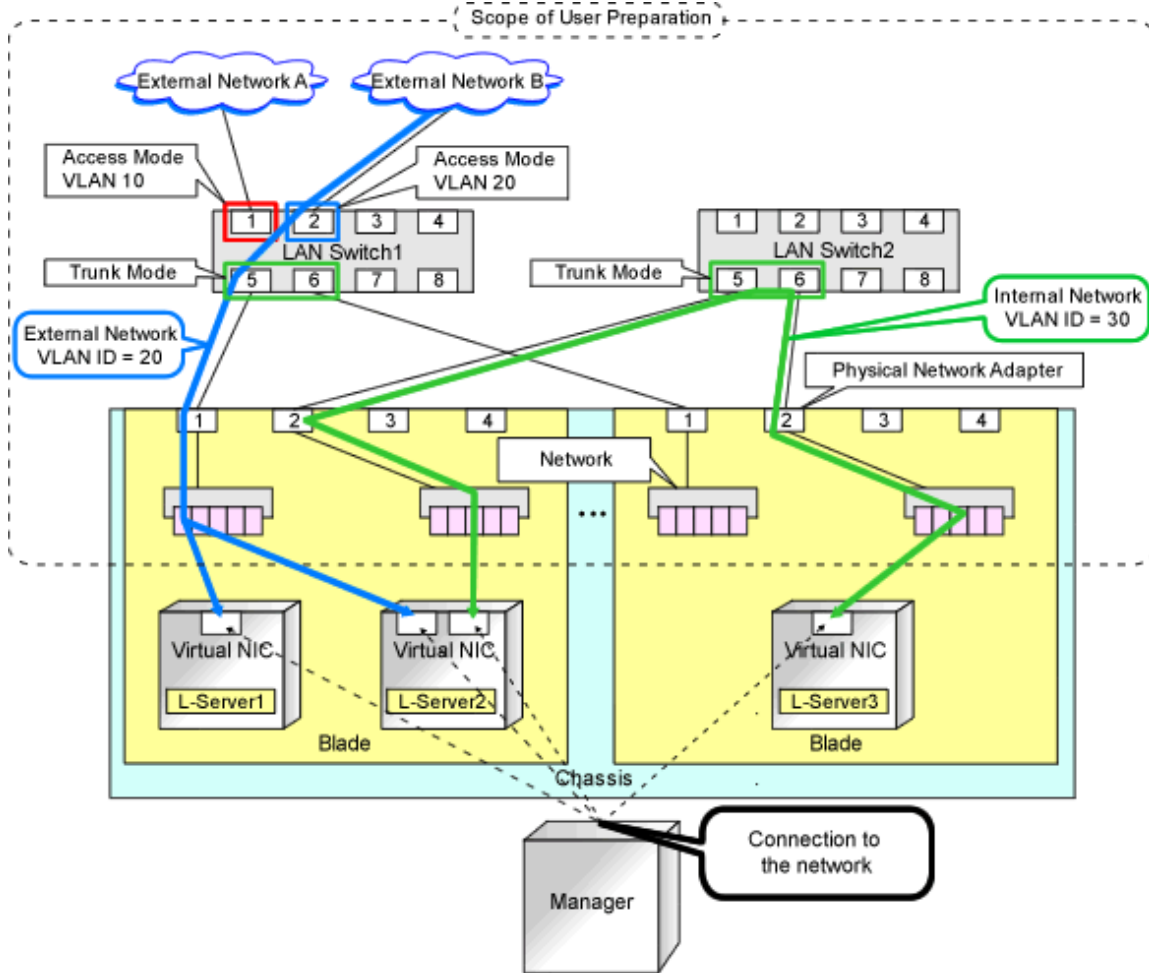
### Network Configuration Example

An example network configuration using Citrix XenServer is given below:

In Resource Orchestrator, when creating a virtual L-Server (VM guest), virtual NICs and the network created on XenServer are automatically connected.

Create the network in XenServer using Citrix XenCenter for each VLAN-ID in advance. Use the same network name when using the same VLAN-IDs for VM hosts.

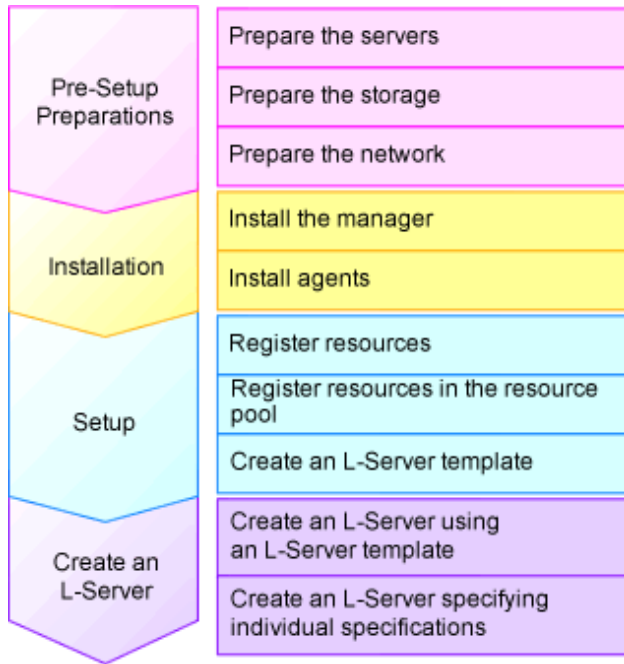
Figure E.32 Network Configuration Example



### L-Server Creation Procedure

Use the following procedure to create L-Servers:

Figure E.33 Flow of L-Server Creation



For details on pre-setup preparations, refer to "[E.8.2 Preparations for Servers](#)".

For details on how to install Resource Orchestrator, refer to "2.1 Manager Installation" in the "Setup Guide CE".

For details on setup, refer to "7.2 Registering Resources with Resource Orchestrator" in the "Setup Guide CE" and "8.2 Installing Software and Registering Agents on VM Hosts" in the "User's Guide for Infrastructure Administrators (Resource Management) CE".

For details on installing agents, refer to "2.2 Agent Installation" in the "Setup Guide CE".

For details on how to create an L-Server, refer to "7.5 Creating L-Servers" in the "Setup Guide CE".

## E.8.2 Preparations for Servers

This section explains the preparations for setting up servers.

In addition to the operations in "[Chapter 8 Defining and Configuring the Server Environment](#)", the following operations are necessary.

### Preparations for Citrix XenServer

- Configure VIOM or ISM

When using I/O virtualization, configuration of VIOM or ISM is necessary.

- Install Citrix XenServer

- When installing an OS on a physical server, refer to the server virtualization software manual.

- When installing a VM host on an L-Server, refer to "Appendix A Installing VM Hosts on Physical L-Servers" in the "Setup Guide CE".

- Enable ssh Connections

Enable ssh connections using the XenServer administrator account.

Generally, a root account is regarded as an administrator account. When managing Citrix XenServer accounts using Active Directory, the account will be the administrator account managed by Active Directory

- Create Resource Pools on Citrix XenServer

Create resource pools on Citrix XenServer, if they will be used on Citrix XenServer.

## E.8.3 Storage Preparations

---

This section explains the preparations for setting up storage.

### Supported Storage Configurations

The supported storage configurations are as follow:

- Remote access storage (one of iSCSI, NFS, or HBA) supported by Citrix XenServer  
For details on the storage supported by Citrix XenServer, refer to the Citrix XenServer manual.
- Check in advance that the storage repository to use is shared with all VM hosts in the Citrix XenServer pool.

### Effective Utilization of Storage Using Thin Provisioning

In this manual, for the disks of Citrix XenServer, sparse allocation is regarded as Thin Provisioning, and non-sparse allocation is regarded as Thick Provisioning.

Thin provisioning is technology for virtualizing storage capacities.

It enables efficient utilization of storage.

The function does not require the necessary storage capacity to be secured in advance, and can secure and extend the storage capacity according to how much is actually being used.

Citrix XenServer can realize Thin Provisioning using an NFS storage repository.

In Resource Orchestrator, configure Thin Provisioning as follows:

- When registering an NFS storage repository as a virtual storage resource registered in a storage pool with Thin Provisioning attributes set, set the thin format and allocate the disk resources to an L-Server.

For how to set thin provisioning attributes for a storage pool, refer to "20.2 Creating" in the "User's Guide for Infrastructure Administrators (Resource Management) CE".

For details on the display of available free space of storage pools and the calculation method for free space, refer to "20.6 Viewing" in the "User's Guide for Infrastructure Administrators (Resource Management) CE".

#### Note

- When registering a NFS storage repository as a virtual storage resource in a storage pool without Thin Provisioning attributes set, as calculation is performed assuming that the necessary amount of space has been allocated, the amount of available space is less than the actual free space.
- When registering a storage repository other than NFS as a virtual storage resource registered in a storage pool with Thin Provisioning attributes set, secure the necessary space, and allocate the disk resources to an L-Server.

### Allocating Storage to a Virtual L-Server

1. When a VM host is registered as storage management software, the storage repositories made beforehand are detected automatically as a virtual storage resource.
2. From the detected virtual storage resources, virtual storage resources meeting virtual L-Server specifications are automatically selected by Resource Orchestrator.  
(Virtual storage resources registered in a storage pool where the priority level is high and virtual storage resources with a high capacity are selected by priority.)
3. From the automatically selected virtual storage resources, disk resources (such as virtual disks) of the specified size are automatically created and allocated to the virtual L-Server.



## Information

---

The storage repository name is used for the virtual storage resource name.

- However, when characters other than the following are included in a datastore name, they are replaced with hyphens ("-").
    - Numerals (0 to 9)
    - Alphabetical characters: upper case (A to Z), lower case (a to z)
    - Hyphens ("-") and underscores ("\_")
  - When a multibyte character is contained in the name of storage repository, it is not detected.
  - When this product manages two or more types of storage management software, there may be multiple storage repositories with the same name. In that case, the form of virtual storage resource names is the datastore name + "\_" + serial number (Example: "\_1").
- 

## E.8.4 Network Preparations

---

This section explains the preparations for setting up a network.

### Defining and Configuring the Network Environment

For details, refer to "[Chapter 9 Defining and Configuring the Network Environment](#)".

Regarding the descriptions for each server virtualization software in the reference, Citrix XenServer is the same as RHEL5-Xen, RHEL-KVM, and OVM for x86.

### Network Preparations

Check the following:

- The configuration for the admin and public LANs has been designed
- The network environment for the admin LAN is configured
- The VLAN ID to allocate to the network resource has been configured
- The virtual machine network has been configured

### Create a Network on XenServer

It is necessary to create the network in XenServer, in order to connect the L-Server to the network. For details on how to create a network, refer to the Citrix XenServer manual.

## E.9 OVM for x86 3.x

---

This section explains how to configure OVM for x86 3.x as server virtualization software.

### E.9.1 System Configuration

---

This section explains a system configuration.

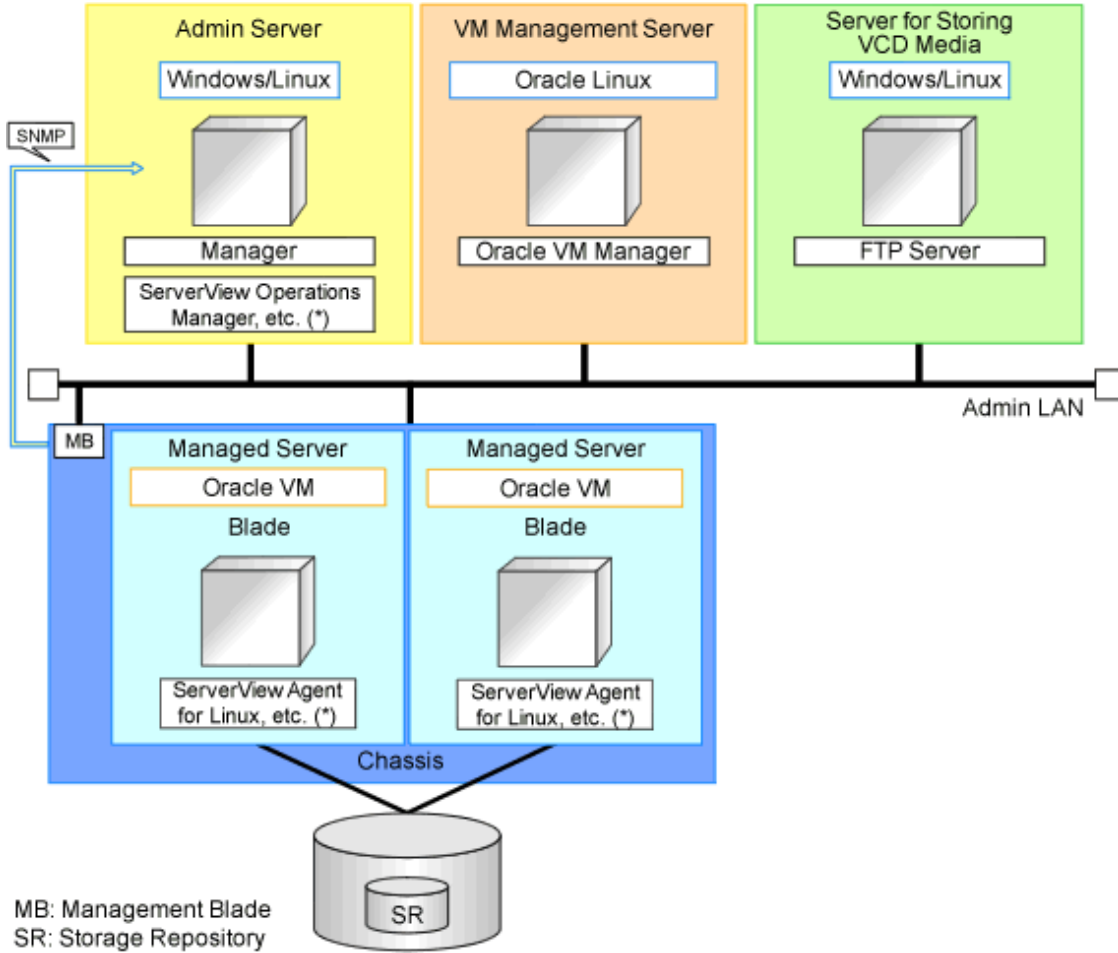
#### Example of System Configuration

System configuration examples are given below.

Servers for VCD media storage are necessary when using the customization function of the virtual L-Server guest OSs.

For details, refer to "8.10.12 Customization Function of Guest OS" in the "Setup Guide CE".

Figure E.34 Example of System Configuration



\* Note: For details of the required software, refer to "6.1.2.4 Required Software" in the "Overview".

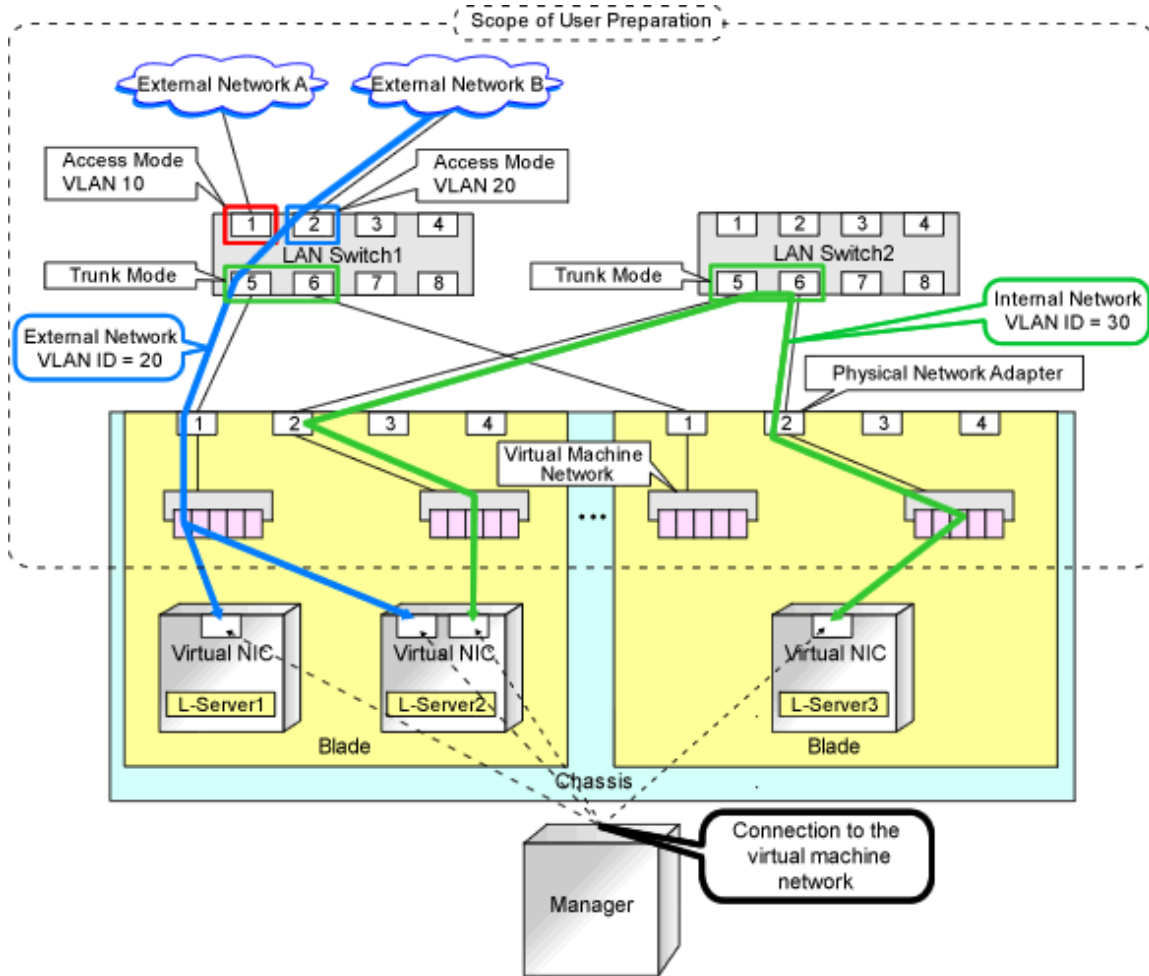
### Network Configuration Example

Network configurations when using OVM for x86 3.x are as below.

In Resource Orchestrator, when creating a virtual L-Server (VM guest), virtual NICs and the virtual machine network are automatically connected.

Create the virtual machine network using Oracle VM Manager for each VLAN-ID in advance. Use the same virtual machine network name when using the same VLAN-IDs for VM hosts.

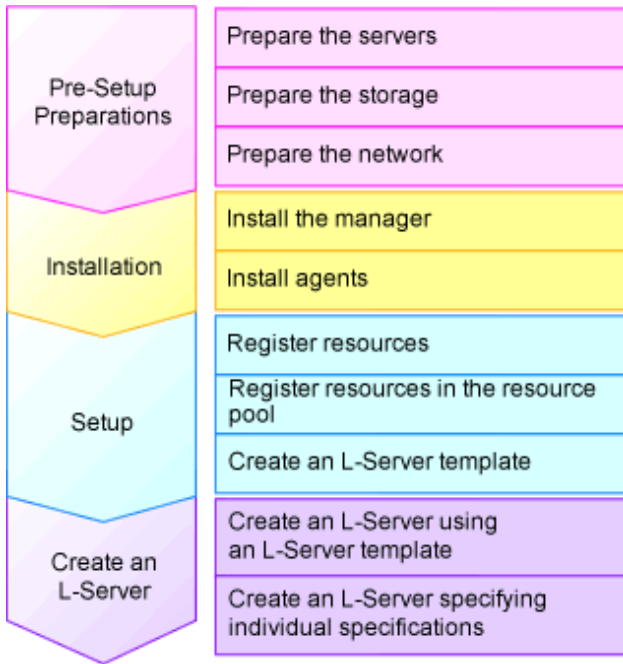
Figure E.35 Network Configuration Example



### L-Server Creation Procedure

Use the following procedure to create L-Servers:

Figure E.36 Flow of L-Server Creation



For details on pre-setup preparations, refer to "E.9.2 Preparations for Servers".

For details on how to install Resource Orchestrator, refer to "2.1 Manager Installation" in the "Setup Guide CE".

For details on setup, refer to "7.2 Registering Resources with Resource Orchestrator" in the "Setup Guide CE" and "8.2 Installing Software and Registering Agents on VM Hosts" in the "User's Guide for Infrastructure Administrators (Resource Management) CE".

For details on installing agents, refer to "2.2 Agent Installation" in the "Setup Guide CE".

For details on how to create an L-Server, refer to "7.5 Creating L-Servers" in the "Setup Guide CE".

## E.9.2 Preparations for Servers

This section explains the preparations for setting up servers.

In addition to the operations in "Chapter 8 Defining and Configuring the Server Environment", the following operations are necessary.

### Preparations for OVM for x86 3.x

- Install and configure Oracle VM Manager

Necessary for management of VM hosts and L-Servers.

After installing Oracle VM Manager, create a server pool, and register resources.



Enable "Clustered Server Pool" for the ServerPool that the OVM Server being managed belongs to.

When installing a VM host on an L-Server, refer to "Appendix A Installing VM Hosts on Physical L-Servers" in the "Setup Guide CE".

- Enable ssh Connections

Perform configuration to enable SSH connections from the admin server of Resource Orchestrator with the root account to OVM for x86 3.x using the admin LAN.

- Register a virtual NIC in Oracle VM Manager

For Oracle VM Manager, register the number of virtual NICs calculated using the following formula:

*Number of L-Servers to be created* x 8 (\*1) + *Maximum number of operations for L-Server creation at one time* (\*2) x *Maximum number of virtual NICs for the VM template* (\*3)

\*1: The maximum number of virtual NICs that can be connected to an L-Server

\*2: The number can be replaced with the number of operations for L-Server creation performed in Resource Orchestrator at one time. The maximum number of L-Servers that can be created in Resource Orchestrator at one time is "30". Therefore, users are advised to replace the number with "30".

Based on the details of operations for L-Server creation, a number smaller than "30" can also be used.

\*3: Replace the number with the maximum number of virtual NICs of the VM template for Oracle VM for the cloning image used when creating an L-Server.

The maximum number of virtual NICs of the VM template for Oracle VM is "31". However, when collecting a cloning image from an L-Server created using Resource Orchestrator, and using that cloning image to create an L-Server, the maximum number of virtual NICs of the VM template is "8".

Decide the maximum number of virtual NICs of the VM template based on the details of operations, and replace the number. The virtual NICs of the VM template can be checked using Oracle VM Manager. For details, refer to the manuals of Oracle VM.

When using the customization function for VM guests, in addition to the procedure above, it is necessary to configure "VM Start Policy" in the server pool of Oracle VM Manager.

For details, refer to "8.10.12 Customization Function of Guest OS" in the "Setup Guide CE".



## Note

When you update an OVM for x86 environment (Oracle VM Manager, Oracle VM Server) registered with this product, stop managers of this product during the update.

## E.9.3 Storage Preparations

---

This section explains the preparations for setting up storage.

### Supported Storage Configurations

The supported storage configurations are as follow:

- Storage supported by OVM for x86 3.x

For details on the storage supported by OVM for x86 3.x, refer to the Oracle VM manual.

### Effective Utilization of Storage Using Thin Provisioning

In this manual, for the disks of Oracle VM Manager, sparse allocation is regarded as Thin Provisioning, and non-sparse allocation is regarded as Thick Provisioning.

Thin provisioning is technology for virtualizing storage capacities.

It enables efficient utilization of storage.

The function does not require the necessary storage capacity to be secured in advance, and can secure and extend the storage capacity according to how much is actually being used.

In Resource Orchestrator, virtual storage resources can be managed in storage pools.

Storage pools must take into account the existence of thin provisioning attributes.

The following resources can be registered in a storage pool with thin provisioning attributes set:

- Virtual storage resources with thin provisioning attributes set

The following resources can be registered in a storage pool without thin provisioning attributes set:

- Virtual storage resources with thick provisioning attributes set

Thin Provisioning cannot be configured in an OVM for x86 3.x storage repository. Therefore, in Resource Orchestrator, the attributes configured in the registered storage pool are regarded as the provisioning attributes of the storage repository.

For details on the provisioning attributes of disk resources allocated to an L-Server during creation, refer to "7.3 Registering Resources in Resource Pools" in the "Setup Guide CE".

For how to set thin provisioning attributes for a storage pool, refer to "20.2 Creating" in the "User's Guide for Infrastructure Administrators (Resource Management) CE".

### **Allocating Storage to a Virtual L-Server**

Refer to the "Allocate disk resources (virtual disks) automatically created from virtual storage resources (datastores)" section in "[Allocating Storage to a Virtual L-Server](#)" in "[10.1.1 Allocating Storage](#)".

### **Preparations for Storage Environments**

Refer to "[D.3.2 Preparations for Storage Environments](#)" in "[D.3 Storage Preparations](#)".

## **E.9.4 Preparations for the Network Environment**

---

This section explains the preparations for setting up a network.

### **Defining and Configuring the Network Environment**

For details, refer to "[Chapter 9 Defining and Configuring the Network Environment](#)".

### **Network Preparations**

Check the following:

- The configuration for the admin and public LANs has been designed
- The network environment for the admin LAN is configured
- The VLAN ID to allocate to the network resource has been configured
- The virtual machine network has been configured

### **Creating a virtual machine network**

It is necessary to create the virtual machine network in OVM for x86 3.x, in order to connect the L-Server to the network. For details on how to create a network, refer to the OVM for x86 3.x manual.

# Appendix F Preparing for Automatic Configuration and Operation of Network Devices

This section explains how to prepare automatic configuration and operation of network devices.

## F.1 Creating Model Definitions for Network Devices

Rulesets used for the function that automatically configures network devices are registered by the network device model. Therefore, it is necessary to create model definitions for determining the models of network devices.

The created model definitions are enabled by registering the following XML definition file:

[Windows Manager]

*Installation\_folder*\SVROR\Manager\etc\customize\_data\network\_device\_model.xml

[Linux Manager]

/etc/opt/FJSVrcvnr/customize\_data/network\_device\_model.xml

Newly added models can be supported by editing the model definitions.

For supported models, model definitions are automatically acquired, therefore, it is not necessary to enter them in the model definition file for network devices.

The network device model definitions provided with sample scripts for auto-configuration and operations of network devices are automatically acquired, therefore it is not necessary to enter them in the model definition file.

### Information

- When editing a model definition, check the sysObjectID of the network device using the snmpwalk command.

### Example

```
snmpwalk -v 1 -c [SNMP_community_name] [IP_address] sysObjectID
```

If the information is available from the manual or vendor of the destination device, obtain it from there.

- Use the specified OID string as the SysObjectId element in the Model element to specify the model name of the network device.
  - The model definition file of network devices is searched from the start, and the first sysObjectID that matches will be used as the model name of the name attribute of the Model element.
  - When there is no matching OID string in the model definition file, the model name is not specified.
- If the product name or model name is specified in the network configuration information used for network device registration, the specified product name or model name is regarded as a model.

### See

For details on model definitions for network devices, refer to "15.15 Network Device Model Definition" in the "Reference Guide (Command/XML) CE".

## F.2 Configuring the Execution Environment

This section explains how to configure execution environment for automatic configuration and operation of network devices.

## F.2.1 When Connecting to Network Devices with SSH

---

When connecting to network devices with SSH in automatic configuration and operation of network devices, the infrastructure administrator prepares the SSH environment using the following procedure.

1. Prepare the SSH library used for scripts.

When using sample scripts, download "Ganymed SSH-2 for Java (build 250)" from the Internet.

2. Store the prepared SSH library in the following location:

[Windows Manager]

*Installation\_folder\SVROR\Manager\etc\scripts\vendor\_name\unit\_name or model\_name\common\*

[Linux Manager]

*/etc/opt/FJSVrcvnr/scripts/vendor\_name/unit\_name or model\_name/common/*

When using sample scripts, decompress the downloaded "Ganymed SSH-2 for Java (build 250)", and store "ganymed-ssh2-build250.jar".

## F.2.2 When Using a Script Language other than Ruby

---

When using a script language other than ruby in automatic configuration and operation of network devices, the infrastructure administrator prepares the script language environment using the following procedure.

1. Store the script language library in any folder recognizable by the ROR manager.
2. Define the script language in the definition file of automatic configuration and operation of network devices.

For information about how to define the script language, refer to "[Script language](#)" in "[F.7.3 Definition File Format](#)".

## F.2.3 When a Large Amount of Data is Output due to Execution of a Ruleset for Operations

---

When the amount of output data as a result of executing a ruleset for operation on network devices exceeds 500 KB, the infrastructure administrator defines the upper output limit of operation rulesets in the network device automatic configuration and operation definition file.

For the information about how to defining upper output limit of operation rulesets, refer to "[Upper Output Limit of Operation Rulesets](#)" in "[F.7.3 Definition File Format](#)".

## F.3 Creating a Folder for Registering Rulesets

---

The function for automatically configuring network devices is used by executing the scripts prepared by the infrastructure administrator for each network device.

When it is necessary to specify settings that differ according to the provided service, register these patterns as separate rules to manage them. This management is performed by the ruleset.

Create a folder with a unique name in the system for registering scripts, etc. for each ruleset.

There are two types of folders for registering rulesets; folders for L-Platform templates and folders for network resources.

### Information

---

- For "*vendor\_name*", "*unit\_name*", and "*model\_name*", specify the "*vendor name*", "*unit name*", and "*model name*" of the target network device for script execution, respectively.

The "*Vendor name*", "*unit name*", and "*model name*" of a network device can be confirmed by checking the model definition (XML file) for that device or from the [Resource Details] in the [Resources] tab on the ROR console.

For details on model definitions for network devices, refer to "15.15 Network Device Model Definition" in the "Reference Guide (Command/XML) CE".

About the "Vendor name" and "unit name" when using sample scripts, refer to "Vendor name" and "unit name" in "[Table G.2 Units for which Sample Scripts are Provided](#)" and "[Table G.11 List of Units that offer Sample Scripts for Operations](#)".



- Specify the folder name of "*ruleset name*" using up to 32 characters, including alphanumeric characters, underscores ("\_"), and hyphens ("-"). This name should start with an alphabetical character.

Set a unique name for the folder name of "*ruleset name*", excluding the following folders in which sample scripts are registered.

[Windows Manager]

*Installation\_folder\SVROR\Manager\etc\scripts\*

[Linux Manager]

*/etc/opt/FJSVrcvmr/scripts/*

About the folder where sample scripts are registered at installation, refer to "G.3 Sample Scripts (For Automatic Configuration)" and "G.4 Sample Scripts (For Operation)".

## F.3.1 Folders for L-Platform Templates (Automatic Configuration)

Create folders for registering the rulesets for automatic configuration of firewalls or server load balancers.

Create the folders for registering rulesets for L-Platform templates with the following name:

[Windows Manager]

*Installation\_folder\SVROR\Manager\etc\scripts\vendor\_name\unit\_name or model\_name\rulesets\ruleset\_name\*

[Linux Manager]

*/etc/opt/FJSVrcvmr/scripts/vendor\_name/unit\_name or model\_name/rulesets/ruleset\_name/*



### Information

The following folders for registering the rulesets used by sample scripts are created automatically during installation of this product.

[Windows Manager]

*Installation\_folder\SVROR\Manager\etc\scripts\vendor\_name\unit\_name or model\_name\rulesets\*

[Linux Manager]

*/etc/opt/FJSVrcvmr/scripts/vendor\_name/unit\_name or model\_name/rulesets/*

## F.3.2 Folders for Network Resources

Create folders for registering rulesets for automatic configuration of L2 switches.

Network device specific folders include rulesets in units of network device names or model names.

Create the following two types of folders.

- A folder common to network devices

Register the ruleset selected when creating network resources.

Create the folder with the following name.

[Windows Manager]

*Installation\_folder\SVROR\Manager\etc\scripts\network\_resource\ruleset\_name\*

[Linux Manager]

*/etc/opt/FJSVrcvmr/scripts/network\_resource/ruleset\_name/*

- A folder for a specific network device

Register a ruleset for each network device unit name or model name. This ruleset includes the scripts used by the ruleset common to network devices.

Create the folder with the following name.

[Windows Manager]

*Installation\_folder\SVROR\Manager\etc\scripts\vendor\_name\unit\_name or model\_name\rulesets\ruleset\_name\*

[Linux Manager]

*/etc/opt/FJSVrcvmr/scripts/vendor\_name/unit\_name or model\_name/rulesets/ruleset\_name/*

## Information

---

- The following folders for registering the rulesets used by sample scripts are created automatically during installation of this product.
  - A folder common to network devices
    - [Windows Manager]  
*Installation\_folder\SVROR\Manager\etc\scripts\network\_resource\*
    - [Linux Manager]  
*/etc/opt/FJSVrcvmr/scripts/network\_resource/*
  - A folder for a specific network device
    - [Windows Manager]  
*Installation\_folder\SVROR\Manager\etc\scripts\vendor\_name\unit\_name or model\_name\rulesets\*
    - [Linux Manager]  
*/etc/opt/FJSVrcvmr/scripts/vendor\_name/unit\_name or model\_name/rulesets/*
- When configuring a tagged vlan in a SR-X300 using the sample script, register the following rulesets in the folder for registering rulesets for network resources.
  - Rulesets registered in the folder for a particular network device
    - [tag\\_vlan\\_port--SR-X300](#) or
    - [tag\\_vlan\\_port--SR-X300\\_n](#)
  - Rulesets registered in the folder common to network devices
    - [tag\\_vlan\\_net--SR-X300](#) or
    - [tag\\_vlan\\_net--SR-X300\\_n](#)

Regarding combinations of rulesets of sample scripts, refer to "[G.3.12 For Deploying L2 Switches](#)".

---

## F.3.3 Common Information of Rulesets

---

It is possible to share the information used for ensuring consistency of configurations between multiple rulesets for automatic configuration of the same device type. For example, there is an information file to share information for identifying definitions. For the common information of rulesets, create a folder with the following name and place the files in it:

[Windows Manager]  
*Installation\_folder\SVROR\Manager\etc\scripts\vendor\_name\unit\_name or model\_name\common\*

[Linux Manager]  
*/etc/opt/FJSVrcvmr/scripts/vendor\_name/unit\_name or model\_name/common/*

## Information

---

The folders for registering the rulesets used for the sample scripts are created automatically during installation of this product.

---

## F.3.4 Folders for L-Platform Templates (Operations)

---

Create folders for registering rulesets for operation of server load balancers. Create the folders for registering rulesets for L-Platform templates with the following name:

[Windows Manager]  
*Installation\_folder\SVROR\Manager\etc\scripts\vendor\_name\unit\_name or model\_name\operations\ruleset\_name\*

[Linux Manager]  
/etc/opt/FJSVrcvmt/scripts/*vendor\_name/unit\_name or model\_name*/operations/*ruleset\_name*/



## Information

The following folders for registering the rulesets used by sample scripts are created automatically during installation of this product.

[Windows Manager]  
*Installation\_folder*\SVROR\Manager\etc\scripts\*vendor\_name\unit\_name or model\_name*\operations\  
/

[Linux Manager]  
/etc/opt/FJSVrcvmt/scripts/*vendor\_name/unit\_name or model\_name*/operations/  
/

## F.4 Basic Script Structure

---

This section explains the basic operation and structure of a script used for automatic configuration and operation of network devices.

The basic flow of configuration and operation of network devices using scripts is as follows:

1. Confirm the syntax of the script list file.
2. The following is processed starting from the start of the script list file.
  - a. Specify the target network device.
  - b. Complete the script file to convert variable information in the script file corresponding to "Script Name" with the information of the parameter file.
  - c. When "cmd operand" is specified in a script list, complete the specified command file. In this process, variable information in the command file is converted using the information of parameter files.
  - d. Script files are executed sequentially, from top to bottom.  
At this time, if necessary, commands are loaded from the command file.

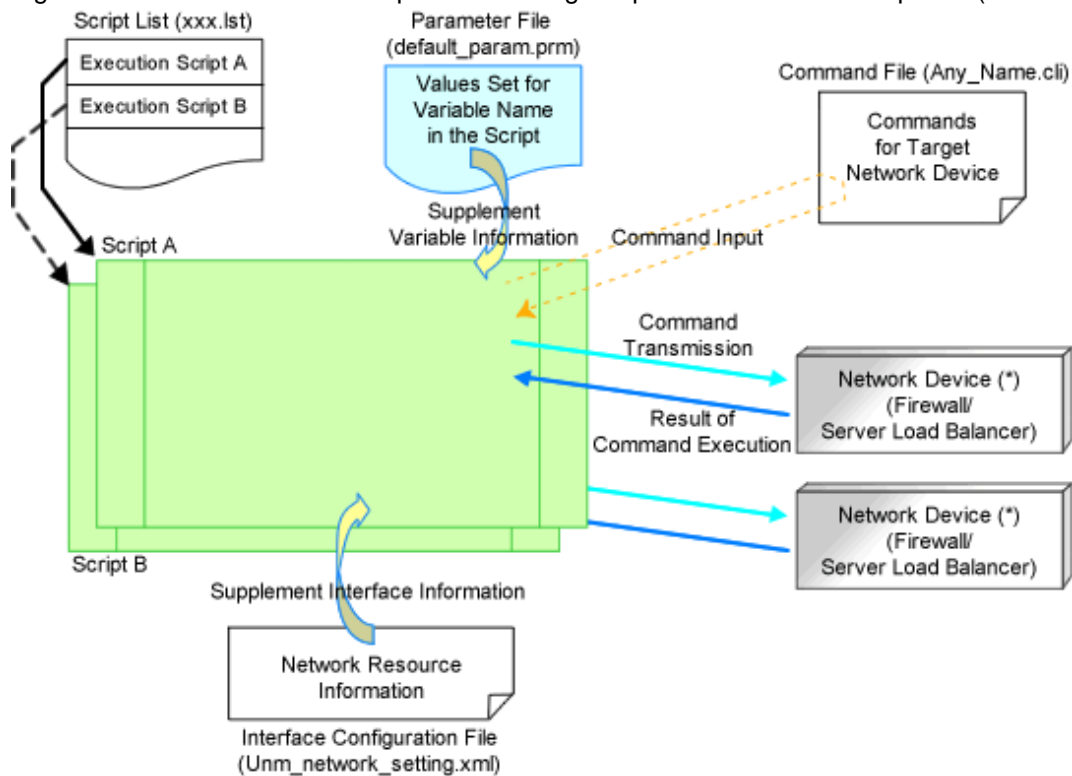
For the function of each file, refer to "[F.4.1 Function and Attributes of Each File](#)".

As examples of basic script structure, the following basic structures are shown.

- [Basic Structure Example when Using Scripts for L-Platform Templates \(Automatic Configuration\)](#)
- [Basic Structure for Network Resources](#)
- [Basic Structure of an L-Platform Template \(Operation\)](#)

## Basic Structure Example when Using Scripts for L-Platform Templates (Automatic Configuration)

Figure F.1 Basic Structure Example when Using Scripts for L-Platform Templates (Automatic Configuration)



Note: Select a network device (firewall or server load balancer) that is registered in a network pool which tenant administrators or tenant users can use.

### Script A

The infrastructure administrator prepares the script.  
An example of the basic process in a script is as follows:

1. Define variables
2. Establish a telnet/ssh connection with the variable (IP address in admin LAN)
3. Send the variable (login account 1)
4. Send the variable (login password 1)
5. Process the command file
  - If command files exist
    - Read the command file and send the content of the command file line by line. [Command transmission]
  - If command files do not exist
    - Execute the process of sending and receiving commands. [Command transmission]
6. Command processing ends.
  - If command processing ends normally
    - Set [Normal] for the return value.
  - If command processing ends abnormally
    - Set [Abnormal] for the return value.
7. Send the variable (logout character string). [Command transmission]
8. Disconnect the telnet/ssh connection.

## Script B

The infrastructure administrator prepares the script.

The example of the basic processing in the script is the same as for script A.

## Script List (xxx.lst)

The infrastructure administrator prepares the script.

The script list of the ruleset selected when creating the L-Platform.

Scripts specified in the script list are executed in order.

## Parameter File (default\_param.prm)

The infrastructure administrator prepares the script.

Information for setting or changing specified parameter values when tenant administrators or users create or modify L-Platforms.

## Command File (Any\_Name.cli)

The infrastructure administrator prepares the script.

Define processes for after log in to devices with log in accounts, excluding command processes included in scripts.

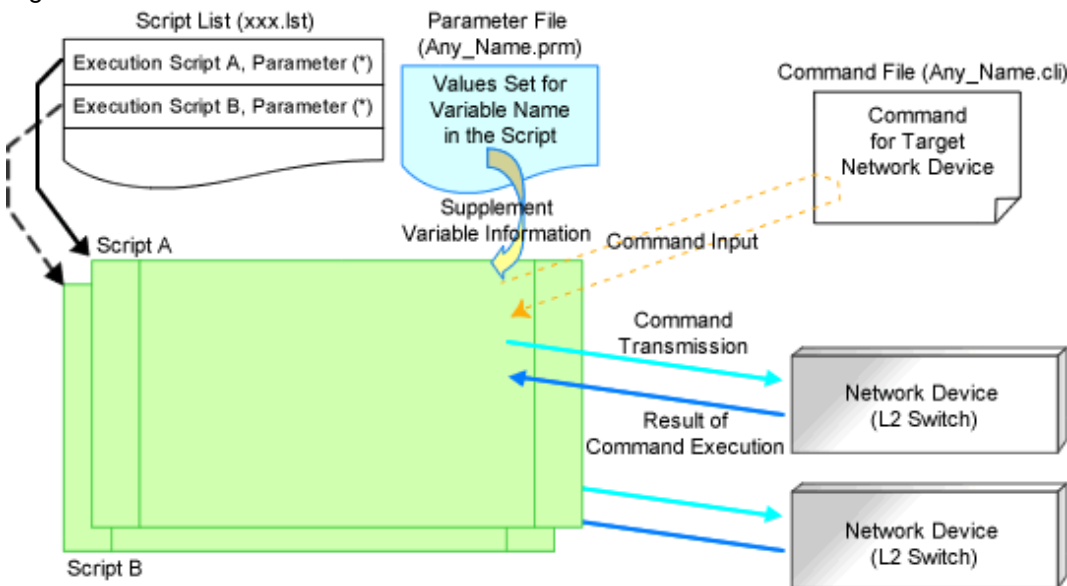
## Interface Configuration File (Unm\_network\_setting.xml)

The infrastructure administrator prepares the script.

Prepare one script per system.

## Basic Structure for Network Resources

Figure F.2 Basic Structure for Network Resources



Note: It is possible to specify parameters in a script without a parameter file.

## Script A

This script is prepared by the infrastructure administrator and registered under a specific network device ruleset folder.

An example of the basic process in a script is as follows:

1. Define variables
2. Establish a telnet/ssh connection with the variable (IP address in admin LAN)
3. Send the variable (login account 1)
4. Send the variable (login password 1)

5. Process the command file
  - If command files exist
    - Read the command file and send the content of the command file line by line. [Command transmission]
  - If command files do not exist
    - Execute the process of sending and receiving commands. [Command transmission]
6. Command processing ends.
  - If command processing ends normally
    - Set [Normal] for the return value.
  - If command processing ends abnormally
    - Set [Abnormal] for the return value.
7. Send the variable (logout character string). [Command transmission]
8. Disconnect the telnet/ssh connection.

#### Script B

This script is prepared by the infrastructure administrator and registered under a specific network device ruleset folder. The example of the basic processing in the script is the same as for script A.

#### Script List (xxx.lst)

This script is prepared by the infrastructure administrator and registered under a specific network device ruleset folder. For network devices related to the operated L-Platform. Scripts specified in the script list are executed in order.

#### Parameter File (Any\_Name.prm)

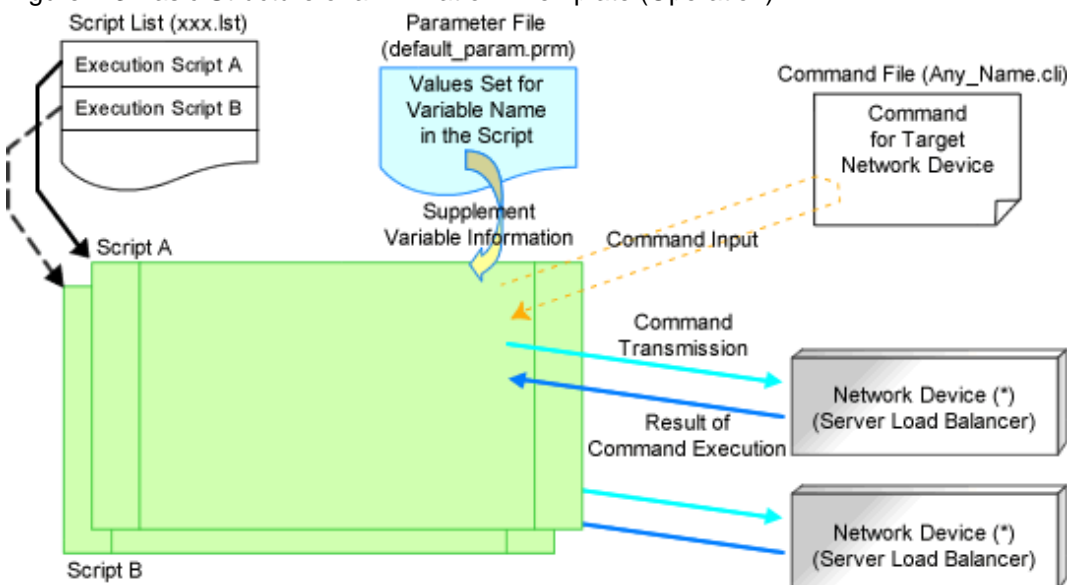
The infrastructure administrator prepares this if necessary.

#### Command File (Any\_Name.cli)

The infrastructure administrator prepares the script. Define processes for after log in to devices with log in accounts, excluding command processes included in scripts.

### Basic Structure of an L-Platform Template (Operation)

Figure F.3 Basic Structure of an L-Platform Template (Operation)



Note: Select a network device (server load balancer) that is registered in a network pool which the tenant administrators or tenant users creating the L-Platform can use.

## Script A

The infrastructure administrator prepares the script.  
An example of the basic process in a script is as follows:

1. Define variables
2. Establish a telnet/ssh connection with the variable (IP address in admin LAN)
3. Send the variable (login account 1)
4. Send the variable (login password 1)
5. Process the command file
  - If command files exist  
Read the command file and send the content of the command file line by line. [Command transmission]  
Obtains command execution results and writes them to the standard output
  - If command files do not exist  
Execute the process of sending and receiving commands. [Command transmission]  
Obtains command execution results and writes them to the standard output
6. Command processing ends.
  - If command processing ends normally  
Set [Normal] for the return value.
  - If command processing ends abnormally  
Set [Abnormal] for the return value.
7. Send the variable (logout character string). [Command transmission]
8. Disconnect the telnet/ssh connection.

## Script B

The infrastructure administrator prepares the script.  
The example of the basic processing in the script is the same as for script A.

### Script List (xxx.lst)

The infrastructure administrator prepares the script.  
Script list of the ruleset selected when creating the L-Platform.  
Scripts specified in the script list are executed in order.

### Parameter File (default\_param.prm)

The infrastructure administrator prepares the script.  
Information for setting specified parameter values when tenant administrators or users operate an L-Platform.

### Command File (Any\_Name.cli)

The infrastructure administrator prepares the script.  
Define processes for after log in to devices with log in accounts, excluding command processes included in scripts.

Note that each file needs to be created according to the script to be used.  
The example of basic structure is the explanation of the structure corresponding to the sample scripts provided with this product.

## F.4.1 Function and Attributes of Each File

---

This section explains the functions and attributes of each file which compose a script.

Table F.1 Function and Attributes of Each File

| File Type | Function | File Name Rule | Extension |
|-----------|----------|----------------|-----------|
|-----------|----------|----------------|-----------|

|  |  |   |     |
|--|--|---|-----|
| Script List Files  | <p>In this file, scripts are arranged in the order of execution for auto-configuration of network devices.</p> <p>Include all script lists for operating network devices in one operation (creation, modification, or deletion of L-Platforms or network resources).</p> | - | lst |
| <p>For setup</p> <p>Script lists for adding settings to network devices according to the purpose of the ruleset, such as port VLAN settings, firewall rules for blocking unauthorized access, and server load balancing rules.</p>   | "create"   |   |     |
| <p>For setup error recovery</p> <p>Script lists for recovering configurations for network devices in case errors occur when creating L-Platforms or network resources. Preparation of this script is not necessary if the recovery process is not necessary when an error occurs while executing a script list for setup.</p>  | "create_recovery"  |   |     |
| <p>For modification</p> <p>Script lists for modifying parameters that were configured in the script lists for setup. In addition to modification of configuration parameter values, this type of script list can be used for addition or deletion of physical port settings or interface configurations when attaching or detaching servers. When adding or deleting configurations for physical ports or interfaces, it is necessary to reflect the configuration changes made by the script for modification onto the script list for setup or the script list for deletion.</p> | "modify.lst"   |   |     |
| <p>For modification error recovery</p> <p>Script list for recovering configurations for network devices when an error occurs in the script lists for modification. This script list is needed only if the recovery process is needed after occurrence of an error.</p>   | "modify_recovery"  |   |     |
| <p>For deletion</p> <p>Script list for deleting parameters configured in the script lists for setup or modification.</p>   | "delete"   |   |     |
| <p>For creation of interface for adjoining server</p> <p>This script list is used to connect a physical L-Server and network resources when creating a physical L-Server. This script list adds configurations, for example, VLAN configurations corresponding to network resources, for the L2 switch port connected to the NIC of the rack server where the physical L-Server is created.</p>  | "connect"  |   |     |
| <p>For error recovery of creation of an interface for an adjoining server</p> <p>This script list is used to recover configurations for network devices when an error occurs in the script lists for creation of an interface for an adjoining server. This script list is needed only if the recovery process is needed after occurrence of an error during creation of an interface for an adjoining server.</p>   | "connect_recovery"   |   |     |
| <p>For deleting an interface for an adjoining server</p>   | "disconnect"   |   |     |



|                                      |   |  |                    |
|--------------------------------------|---|--|--------------------|
|                                      | <p>This script list is used to release physical L-Server connection with network resource when deleting physical L-Server. This script list automatically deletes configurations, for example, VLAN configurations corresponding to network resource, from L2 switch port connected to NIC of Rack Server where physical L-Server is created.</p> |  |                    |
|                                      | <p>For operation</p> <p>Script lists for obtaining information from a network device by executing operation commands such as the ones for state display and log collection.</p>   | "operate"  |                    |
| <b>Script Files</b>                  | In this file, the procedure for auto-configuration of network devices is written.   | <p>An arbitrary character string composed of alphanumeric characters, hyphens ("-"), and underscores ("_").</p> <p>The valid characters and string lengths depend on the OS or the rules of the script language.</p>   | Language dependent |
| <b>Command Files</b>                 | In this file, the list of commands which will be sent to network devices are written.   | A string of alphanumeric characters, hyphens ("-"), and underscores ("_"), within 32 characters in length.   | cli                |
| <b>Parameter Files</b>               | In this file, the parameters which can be customized in the scripts are written.  | <ul style="list-style-type: none"> <li>- "default_param.prm"</li> </ul> <p>For rulesets for L-Platform templates, this name is fixed.</p> <ul style="list-style-type: none"> <li>- User defined name</li> </ul> <p>For rulesets used by network resources, specify this using up to 32 alphanumeric characters, including hyphens ("-") and underscores ("_").</p> | prm                |
| <b>Interface Configuration Files</b> | In this file, the parameters for network device interface configuration which can be customized in the scripts are written.   | "Unm_network_setting"  | xml                |

## F.4.2 Location of Each File

This section explains the location of each file which composes a script.

### Deployment Locations for Script List Files and Parameter Files

- Rulesets used for L-Platform templates

- Ruleset for automatic configuration

[Windows Manager]

*Installation\_folder\SVROR\Manager\etc\scripts\vendor\_name\unit\_name or model\_name\rulesets\ruleset\_name\*

[Linux Manager]

*/etc/opt/FJSVrcvnr/scripts/vendor\_name/unit\_name or model\_name/rulesets/ruleset\_name/*

- Ruleset for operation

[Windows Manager]

*Installation\_folder\SVROR\Manager\etc\scripts\vendor\_name\unit\_name or model\_name\operations\ruleset\_name\*

[Linux Manager]

*/etc/opt/FJSVrcvnr/scripts/vendor\_name/unit\_name or model\_name/operations/ruleset\_name/*

- Ruleset used by network resources

[Windows Manager]

*Installation\_folder\SVROR\Manager\etc\scripts\network\_resource\ruleset\_name\*

[Linux Manager]

*/etc/opt/FJSVrcvmr/scripts/network\_resource/ruleset\_name/*

## Deployment Locations for Script Files and Command Files

- Ruleset for automatic configuration

[Windows Manager]

*Installation\_folder\SVROR\Manager\etc\scripts\vendor\_name\unit\_name or model\_name\rulesets\ruleset\_name\*

[Linux Manager]

*/etc/opt/FJSVrcvmr/scripts/vendor\_name/unit\_name or model\_name/rulesets/ruleset\_name/*

- Ruleset for operation

[Windows Manager]

*Installation\_folder\SVROR\Manager\etc\scripts\vendor\_name\unit\_name or model\_name\operations\ruleset\_name\*

[Linux Manager]

*/etc/opt/FJSVrcvmr/scripts/vendor\_name/unit\_name or model\_name/operations/ruleset\_name/*

## Deployment Location for Interface Configuration Files

[Windows Manager]

*Installation\_folder\SVROR\Manager\etc\scripts\network\_resource\*

[Linux Manager]

*/etc/opt/FJSVrcvmr/scripts/network\_resource/*

## F.5 Timing of Ruleset Execution

The timing at which rulesets in the folder for ruleset registration are executed is listed below.

Table F.2 Timing of Ruleset Execution

| Operation   | Registration Folder   | Target Device         | Remarks   |
|---|---|-----------------------|---|
| L-Platform creation<br>L-Platform modification<br>L-Platform deletion                   | Folders for L-Platform Templates<br>(automatic configuration) | Firewall Devices      | Sets the initial firewall rule.   |
|   |   | Server Load Balancers |   |
|   | Folders for Network Resources                                 | L2 switches           | When deploying a physical L-Server using a rack mount server, configure an L2 switch. |
| Update using "Operation log" in "L-Platform Details"                                    | Folders for L-Platform Templates<br>(automatic configuration) | Firewall Devices      | Modifies firewall rules.  |
| Update using "Operation log" in "L-Platform Details"                                    |   | Server Load Balancers | Sets server load balancer rules.  |
| Update using "Operation log" in "L-Platform Details"                                    | Folders for L-Platform Templates<br>(operation)               | Server Load Balancers | Executes operations.  |
| Update using "Operation log" in "L-Platform Details"                                    |   |                       | Displays operation logs.  |
| Network resource creation<br>Network resource modification<br>Network resource deletion | Folders for Network Resources                                 | L2 switches           | Sets the VLAN corresponding to network resources.                                     |

## F.6 File Components of Rulesets

---

This section describes each file contents for configuration and operation according to the structure of the script described in "F.4 Basic Script Structure".

### F.6.1 Script List Files

---

This section explains the format of script list files and how to write parameters in them.

#### Script Lists for L-Platform Templates

This section explains script lists (for setup and for operations) of rulesets used in L-Platform templates.

Format

```
[Script Path]Script Name[,cmd=Script Command file Name][,node=none|Network Device Name][,group=Group Number]  
[,param=(Parameter Name1=Parameter Value1,Parameter Name2=Parameter Value2, ...)]
```

Script lists for setup and script lists for operations use the same format.

Description

This section explains each item.

#### *Script Path*

Specify the folder path for the script to execute using an absolute path or relative path from the scripts folder.

If you do not specify this path, the path of the script to execute is regarded as being the folder path including the script list.

#### *Script Name*

Specify the name of the script you want to execute.

Do not specify a script list name in this field.

If you specify one, it is regarded as designating the execution script name.

#### cmd=*Script Command File Name*

Specify the name of the script command file you want to execute.

The value specified for this operand will be configured for the reserved variable "command file name".

If you invoke some command files, use the "command file name" with a serial number (in ascending order from 1) in the script.

If you do not specify the command file name in the script, the command file is not invoked from the script.

#### node=*none*|*Network Device Name*

If you want to unconditionally execute the script regardless of the existence or status of network devices (firewalls or server load balancers), specify "none" for this operand.

When executing scripts specifying the specific network device (firewall or server load balancer), specify the name of the network device for this operand.

When specifying the network device name using something other than the script list for configuration (create.lst), specify the network device in the script list for configuration (create.lst).

When specifying the network device name in a redundancy configuration, specify all network device names in the same group (in the script line with the same group number) for this operand in the respective script lines.

When this operand is omitted, an available network device is automatically selected from an available network pool. Automatic selection of network devices is decided by specifying this operand in the script list for configuration (create.lst) used when creating an L-Platform.

When a network device is automatically configured while creating an L-Platform, after that, the same network device which was automatically selected is used even when executing scripts other than the script list for configuration (create.lst) for the same L-Platform.

#### group=*Group Number*

If you execute a script for redundant network devices, set a group number between 1 and 99. This number is used to distinguish network devices in the same redundant configuration.

If there are 2 lines in a script with the same group number, then an available pair of network devices will be selected from the network

pool.

(If there are no redundant network devices (at least one device in a pair is alive) available in a network pool, a script list execution error occurs due to the lack of available network devices).

`param=(Parameter Name1=Parameter Value1,Parameter Name2=Parameter Value2,...)`

If you want to change the configuration values of variable parameters in a parameter file per script list line, specify this operand. Specify all parameter names and changed parameter values that you want to change.

If infrastructure administrators want to decide parameter values per script, writing parameters and their values at this operand means those variable parameters do not have fixed values in scripts.

If tenant users or administrators specify these parameters when creating an L-Platform, the parameter values are used in the script.

## Information

- Specified parameters are separated by "," and blank spaces between parameters and "," are ignored.
- The number of lines specified in a script list is limited to 100, excluding comment lines.
- Comments begin with "#" in the first column. Any characters can be used in the comment line.  
Write comments such as description of executed scripts when necessary.  
Comments are ignored when script lists are processed.
- Blank lines are regarded as comments and ignored when a script list is processed.
- Scripts in a script list are executed in the defined order.

## Execution Image

Script lists are executed in the order of the list.

```
[Script Path]Script Name1,group=1[,cmd=Command File Name1]
[Script Path]Script Name2,group=2[,cmd=Command File Name2]
```

## Script List for Network Resources

This section explains the ruleset script list used by network resources.

### Format

```
Script Path Script Name[,cmd=Script Command File Name],node=Network Device Name[,paramfile=Parameter File Name]
[,param=(Parameter Name1=Parameter Value1,Parameter Name2=Parameter Value2, ...)]
```

### Description

This section explains each item.

#### **Script Path**

Specify the folder path for the script to execute using an absolute path or relative path from the scripts folder.

The folder path, including the execution script, is necessary.

#### **Script Name**

Specify the name of the script you want to execute.

Do not specify a script list name in this field. If you specify it, it is regarded as designating the name of the script to execute.

#### **cmd=Script Command File Name**

Specify the name of the script command file you want to execute.

The value specified for this operand will be configured for the reserved variable "command file name".

If you invoke multiple command files, it is necessary to use the "command file names" including a serial number (in ascending order from 1).

If you do not specify the command file name in the script, the command file is not invoked from the script.

node=*Network Device Name*

Specify the name of the network device to execute the script.

If you specify the wrong network device name in this field, an automatic configuration error or incorrect configuration occurs when the script is executed. Specify the network device name carefully.

paramfile=*Parameter File Name*

Specify the parameter file name of the variable information passed to the script.

If you use variable information from a parameter file, specify the name of the parameter file.

param=(*Parameter Name1=Parameter Value1,Parameter Name2=Parameter Value2,...*)

If you want to change the settings of variable parameters in the parameter file specified for the "paramfile" field per line of script list, use this operand.

Specify all parameter names and changed parameter values that you want to change.

### Information

- Specified parameters are separated by "," and blank spaces between parameters and "," are ignored.
- The number of lines specified in a script list is limited to 100, excluding comment lines.
- Comments begin with "#" in the first column. Any characters can be used in the comment line. Write comments such as description of executed scripts when necessary. Comments are ignored when script lists are processed.
- Blank lines are regarded as comments and ignored when a script list is processed.
- When a script list processes the same network device, the script list is not executed at the same time but executed in order. On the other hand, when a script list does not process the same network device, the script list is executed at the same time.

### Execution Image

Script lists are executed in the order of the list.

```
[Script Path]Script Name1,node=Network Device Name1,param=(Parameter Name1= Value,...)
[Script Path]Script Name2,node=Network Device Name2,param=(Parameter Name2= Value,...)
[Script Path]Script Name3,node=Network Device Name3,param=(Parameter Name3= Value,...)
```

## Differences Between Script Lists of L-Platform templates and Network Resources

This section explains the differences between script lists of L-Platform templates and network resources.

Table F.3 Differences Between Script Lists

| Item  | Folders for L-Platform Templates  | Folders for Network Resources |
|---|---|-------------------------------|
| node operand:<br>network device name configured by scripts                                | Network devices cannot be specified. The network device is automatically selected.<br><br>"none" can be specified when the script is not related to the specified network device. | Can be specified              |
| group operand:<br>The number to distinguish a network device in a redundant configuration | Can be specified  | Cannot be specified           |
| paramfile operand:<br>parameter file name   | Cannot be specified   | Can be specified              |

## F.6.2 Script Files

---

This section explains how to create script files.

### Script Structure

This section explains the structure of scripts.

The process from establishing to releasing a telnet/ssh connection with the target network device is written in scripts. The basic structure is shown in the following figure.

#### Variable Definition Section

Variable information is converted using information from the parameter file and DB and defined as a variable.

#### Connection (login)

Establishes a telnet connection to the admin LAN IP address defined in the variable.

Sends the login account defined in the variable.

Sends the login password defined in the variable.

#### Command Sending Section

- If command files exist

Send the content of the command file line by line.

- If command files do not exist

Executes the process of sending and receiving commands in a script.

#### Verification of execution results

If the command ends normally, the return value "normal" is set.

If the command process ends abnormally, the return value "error" is set.

#### Disconnection (logout)

Send the variable (logout string).

Disconnect the telnet connection.



### Note

Define the process from connection to disconnection in the script.

### Variable Information Usable in Scripts

Variables used in scripts are defined in the variable definition section.

Variables including variable information are defined between the reserved variables "%Unm\_DefineStart%" and "%Unm\_DefineEnd%" as follows.

```
# %Unm_DefineStart%  
  
Define variables, including variable information.  
  
# %Unm_DefineEnd%
```

Reserved variable names consist of character strings with "Unm" as a prefix and alphanumeric characters and an ampersand ("&"), underscores ("\_"), and hyphens ("-"). "&" in a character string is a symbol utilized to split a character string into a meaningful string such as an L-Server name and a network resource name.

Reserved variable names which can be used in scripts are shown in the following table.

Table F.4 Reserved Variables that can be Used in Scripts

| Information Type                 | Variable Name                           | Usage After Conversion  |
|----------------------------------|---|---|
| Variable information (beginning) | %Unm_DefineStart% (*1)                  | Specify the beginning of the range for variable conversion in a script.<br>Include this as a comment line once in a script.   |
| Variable information (end)       | %Unm_DefineEnd% (*1)                    | Specify the end of the range for variable conversion in a script.<br>Include this as a comment line once in a script.   |
| Command file name                | %Unm_CommandFileName% (*2)              | Command file name   |
| VLAN-ID                          | %Unm_VlanId% (*3)                       | VLAN-ID value   |
| VLAN-ID                          | %Unm_VlanId&Network Resource Name% (*3) | VLAN-ID value   |
| Admin IP address                 | %Unm_MyLoginIp%                         | IP address used for logging in to the target device via SSH/TELNET/FTP  |
| Login account 1                  | %Unm_MyLoginAccount1%                   | Account name used for logging in to the target device via SSH/TELNET/FTP  |
| Login account 2                  | %Unm_MyLoginAccount2%                   | Account name used for logging in to the target device via FTP   |
| Login password 1                 | %Unm_MyLoginPass1%                      | SSH/TELNET password for logging in to the target device   |
| Login password 2                 | %Unm_MyLoginPass2%                      | FTP password for logging in to the target device  |
| Admin password 1                 | %Unm_MyAdminPass1%                      | Password to change to admin privileges of the target device   |
| Admin account                    | %Unm_MyAdminAccount%                    | Admin account of the target device  |
| Admin password 2                 | %Unm_MyAdminPass2%                      | Admin password of the target device   |
| Login port                       | %Unm_LoginPort%                         | SSH/TELNET port for logging in to the target device   |
| FTP admin IP address             | %Unm_FtpLoginIp%                        | IP address for logging in from the target device via FTP  |
| FTP login port                   | %Unm_FtpLoginPort%                      | Port used for logging in from the target device via FTP   |
| FTP login account                | %Unm_FtpLoginAccount%                   | Account name for logging in from the target device via FTP  |
| FTP login password               | %Unm_FtpLoginPass%                      | Password for logging in from the target device via FTP  |
| Adjoining L2 switch 1            | %Unm_SwNode1% (*4)                      | Network device name of the adjoining L2 switch connected to the physical rack server NIC<br>(If a physical server has redundant NICs, specify the first L2 switch connected to the first NIC) |

|  |   |   |
|--|---|---|
| Adjoining L2 switch 2                  | %Unm_SwNode2% (*4)                                      | Network device name of second adjoining L2 switch connected to physical rack server redundant NIC   |
| Adjoining L2 switch port 1             | %Unm_SwPort1% (*4)                                      | Port name of the second adjoining L2 switch connected to the physical rack server redundant NIC<br>Port name of the adjoining L2 switch connected to the physical rack server redundant NIC |
| Adjoining L2 switch port 2             | %Unm_SwPort2% (*4)                                      | Port name of second adjoining L2 switch connected to physical rack server redundant NIC   |
| Network device IPv4 address            | %Unm_Ipv4&Sequential Number&Network Resource Name% (*5) | IPv4 address configured on the interface of the automatic configuration target device   |
| Network device IPv4 subnet             | %Unm_Ipv4Subnet&Network Resource Name%                  | IPv4 subnet configured on the interface of the automatic configuration target device  |
| Network device IPv4 subnet mask        | %Unm_Ipv4SubnetMask&Network Resource Name%              | IPv4 subnet mask configured on the interface of the automatic configuration target device   |
| Network device IPv4 subnet mask length | %Unm_Ipv4SubnetMaskLength&Network Resource Name%        | IPv4 subnet mask length configured on the interface of the automatic configuration device   |
| Network device IPv6 address            | %Unm_Ipv6&Sequential Number&Network Resource Name% (*5) | IPv6 address configured on the interface of the automatic configuration target device   |
| Network device IPv6 prefix             | %Unm_Ipv6Prefix&Network Resource Name%                  | IPv6 prefix configured on the interface of the automatic configuration target device  |
| Network device IPv6 prefix length      | %Unm_Ipv6PrefixLength&Network Resource Name%            | IPv6 prefix length configured on the interface of the automatic configuration target device   |
| VRID                                   | %Unm_Vrid&Network Resource Name%                        | VRID configured on the interface of the automatic configuration target device   |
| L-Platform name                        | %Unm_LplatformName%                                     | Name of the L-Platform performing processing  |
| L-PlatformID                           | %Unm_LplatformId%                                       | Resource ID of the L-Platform performing processing   |
| Firewall name                          | %Unm_FirewallName%                                      | Name of the firewall processing the L-Platform  |
| Firewall resource ID                   | %Unm_FirewallId%  | Resource ID of the firewall processing the L-Platform   |
| Server load balancer name              | %Unm_SlbName%   | The name of the processed SLB on the L-Platform   |
| The server load balancer resource ID   | %Unm_SlbId%   | The resource ID of the processed SLB on the L-Platform  |



|   |  |   |
|---|--|---|
| List of admin IP addresses of redundant network devices         | %Unm_Group&Group Number%                           | List of admin IP addresses of the redundant network device corresponding to the group number of the script<br><br>The group number specified in the script list |
| Backup directory  | %Unm_BackupDir% (*6)                               | Absolute path name of the backup directory  |
| Current setting information                                     | %Unm_Present&Variable name% (*7)                   | The content of the variable name used in the most recent configuration  |
| Variable parameter specified by an infrastructure administrator | %Unm_Set_Variable_Character&Network_Resource_Name% | The value when a variable parameter excluding variable parameter limited by the system is specified in the interface configuration file                         |

\*1: The scope of the script lines converted by the script which converts variable information

- When %Unm\_DefineStart% is defined, but %Unm\_DefineEnd% is not defined  
Lines from %Unm\_DefineStart% to the last line of script files are considered as variable parameters to be converted.
- When %Unm\_DefineStart% is not defined, but %Unm\_DefineEnd% is defined  
Variable parameter conversion is not executed in the script file.
- When that %Unm\_DefineStart% and %Unm\_DefineEnd% are multiply defined  
Variable parameters between first %Unm\_DefineStart% and %Unm\_DefineEnd% from first line of file are the targets of variable parameter conversion.

\*2: Command file name

In variable information of the command file name, configure the name added to "exec\_discrimination number (8 - 10 digits)" before the command file name prescribed by the system.

When you use multiple command files in a script, it is necessary that variable parameters of the script are written as variable information of the command file name + *n* (*n* is a sequential number).

Example

```
"%Unm_CommandFileName%1.cli"
"%Unm_CommandFileName%2.cli"
"%Unm_CommandFileName%3.cli"
...
```

\*3: VLAN-ID value of network resources

VLAN-ID values that can be used as variable information differ depending on the device to be configured automatically.

When you use the VLAN-ID value of a network resource as variable information, specify it in the following format in the script and the value will be resolved by the system.

- When the automatically configured device is an L2 switch
  - VLAN-ID value : %Unm\_VlanId%
Specify the VLAN-ID configured for the network resource as variable information.

- When the automatically configured device is a firewall

- VLAN-ID value: %Unm\_VlanId & Network resource name (up to 32 characters)%

The VLAN-ID configured in the network resource corresponding to the specified network resource name is configured as variable information.

For the network resource name, the name of the network resource in the segment used by the L-Platform can be used.

- When the automatically configured device is a server load balancer

- VLAN-ID value: %Unm\_VlanId & Network resource name (up to 32 characters)%

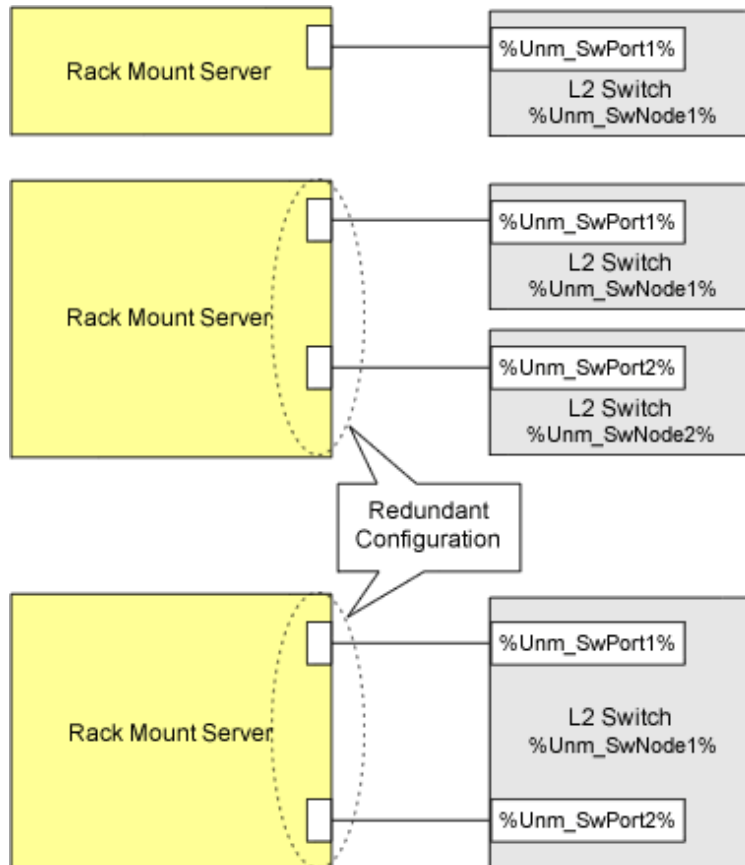
The VLAN-ID configured in the network resource corresponding to the specified network resource name is configured as variable information.

For the network resource name, the name of the network resource in the segment where the server load balancer is located can be used.

\*4: Reserved variable names when physical rack servers have redundant NICs

For a physical rack server with redundant NICs, the reserved variable names are as follows:

Figure F.4 Reserved Variable Names for Physical Rack Mount Servers with Redundant NICs



\*5: Sequential numbers

Ensure that specified sequential numbers are the values corresponding to the IPv4/IPv6 addresses for the desired purpose.

Assign sequential numbers for each purpose to the IPv4/IPv6 addresses required by network devices, such as physical IPv4/IPv6 addresses for active units and virtual IPv4/IPv6 addresses for standby units.

Specify the mapping of the IPv4/IPv6 addresses for each purpose and assign sequential numbers in the following elements in the interface configuration file:

- The IPv4Address element
- The IPv6Address element

\*6: Backup directory

Parameters in the following definition files are configured as a backup directory name.

- Storage Location of the Definition File

[Windows Manager]  
*Installation\_folder*\SVROR\Manager\etc\customize\_data\manager\_backup.rcxprop

[Linux Manager]  
 /etc/opt/FJSVrcvmr/customize\_data/manager\_backup.rcxprop

- Parameter Format of Definition Files

ruleset\_backup\_dir=*backup directory*

*backup directory*: specify the backup directory name using an absolute path.

If this parameter is not specified, the following backup directory is specified by default.

[Windows Manager]  
*Installation\_folder*\SVROR\Manager\var\lserver\_repair\ruleset\_backup

[Linux Manager]  
 /var/opt/FJSVrcvmr/lserver\_repair/ruleset\_backup

\*7: Current setting information

It is possible to obtain information from when creating resources for firewalls and server load balancers, until those resources are deleted. When two or more types of scripts are executed during creation or modification of resources of firewalls or server load balancers, the variable name used by the script that was last executed can be used as the current setting information.

When using the current setting information, it is not possible to configure different values for individual scripts or to use different variable information names for individual scripts in the script list. The variable information name and value must be the same throughout the script list.

The variable names which can be specified for "variable name" of this reserved variable are the following reserved variable names, and user-defined variable names stated in the parameter file.

Table F.5 Reserved Variable Names that can be Used for "Variable Name"

| Information Type  | Reserved Variable Name             |
|---|------------------------------------|
| Command file name                                       | %Unm_CommandFileName%              |
| VLAN-ID   | %Unm_VlanId&Network Resource Name% |
| L-Platform name   | %Unm_LplatformName%                |
| L-Platform resource ID                                  | %Unm_LplatformId%                  |
| Firewall name   | %Unm_FirewallName%                 |
| Firewall resource ID                                    | %Unm_FirewallId%                   |
| Server load balancer name                               | %Unm_SlbName%                      |
| The server load balancer resource ID                    | %Unm_SlbId%                        |
| List of admin IP addresses of redundant network devices | %Unm_Group&Group Number%           |

Current setting information varies depending on how many times automatic configuration was performed.

"None" indicates that the variable name will not be converted because there is no value.

Table F.6 Example of Information Changed each time Auto-configuration is Executed

| Number of Times Executed | Variable Name | Information of %Unm_Present & Variable name% | Variable Name Information |
|--------------------------|---------------|--|---------------------------|
| First time               | A             | None   | 1                         |
|                          | B             | None   | 2                         |
|                          | C             | None   | 3                         |

|             |   |      |      |
|-------------|---|------|------|
| Second time | A | 1    | 11   |
|             | B | 2    | 2    |
|             | C | 3    | None |
| Third time  | A | 11   | 11   |
|             | B | 2    | 2    |
|             | C | None | 1    |

## Information

- Reserved variable names are written in the following locations.
  - Any place in a command file
  - In the "node" operand and "param" operand in script lists
  - Between the "%Unm\_DefineStart%" line and "%Unm\_DefineEnd%" line in a script
- When you do not use a sample script (as in cases where an infrastructure administrator creates their own new script), specify variable information which is usable in command files and scripts using character strings enclosed by % as in "% %". The maximum length of a variable information string is 128 characters.
- In the character string enclosed by %, alphanumeric characters, underscores ("\_"), and hyphens ("-") can be used. "Unm\_" is a reserved variable name, so it cannot be included in variable names specified by users.
- Variable information can be written in the following locations.
  - Any place in a command file
  - Between the "%Unm\_DefineStart%" line and "%Unm\_DefineEnd%" line in a script

## Operation when Variable Information Conversion in a Script Fails

If conversion of variable information fails, variable information parameters are not converted and the script is executed.

If variable information in the command file is a character string before conversion, the script will not send that command or any associated commands to the network device.

A script execution error is not returned just because the conversion of variable information fails.

If conversion of the following variable information related with the adjoining L2 switch fails, the script is not executed and an error is returned because there is a problem when constructing information of the network device.

- %Unm\_SwNode1%
- %Unm\_SwNode2%
- %Unm\_SwPort1%
- %Unm\_SwPort2%

## Return Codes Used by Scripts

The results of script execution are determined to be normal or abnormal based on their return code.

Based the code returned by a script, the process ends normally or recovery action is executed.

Return codes used for scripts are as follows.

Table F.7 Return Codes Used by Scripts

| Return Code | Return Code Meaning   |
|-------------|---|
| 0           | Processing of the script ended normally.  |
| 4           | An error occurred in script execution, but the script can be executed again. (Connection closed or connection time out) |

|   |  |
|---|--|
| 6 | An error occurred in script execution, but the script can be executed again. (An error occurred before reflection of the definition on the network device)   |
| 8 | <p>An error occurred in script execution, and the script cannot be executed again. (Errors other than the above)<br/>Changes the status of the network device for which the script was executed and the redundant network device into "error" and places them into "maintenance mode".<br/>Take corrective action and then execute the following command to release "maintenance mode", which will change the status of the devices back to "normal".</p> <ul style="list-style-type: none"> <li>- Execute the rcxadm netdevice set command with the -attr mode=active option specified</li> </ul> <p>For information about the rcxadm netdevice command, refer to "3.8 rcxadm netdevice" in the "Reference Guide (Command/XML) CE".</p> |

### Confirming Results of Script Execution

In order to check the progress of script execution and any errors in a script, create the script so that process content is logged to an arbitrary file.

Refer to the contents of the output log file to confirm results of script execution.

Sample scripts generate logs in the folder where rulesets are placed to provide reference information for infrastructure administrators.

When checking the content, copy the log file to an arbitrary user directory and then open the copied log file.

For the name of the log file output by sample scripts, refer to "[G.5.5 Log Files of Sample Scripts](#)".



#### Note

- The above log file is used when infrastructure administrators check script action. Use of this log file by tenant users and administrators has not been considered. Accordingly, there is no protection between tenants.
- Do not perform standard output or standard error output of script execution results, except for script files used by the rulesets for operations. If scripts which perform standard output or standard error output are used, automatic network device configuration may be aborted.
- To perform standard output and standard error output of script execution results using the script files used by a ruleset for operations, it is necessary to specify the same processing method as the one used in the sample script. If you create and use an original processing method for standard output and standard error output, the execution result of the scripts for operations cannot be obtained and L-Platform operations may fail.

### Operation when Script Executions Results are Abnormal

When there are abnormal script execution results when executing a script list, the operations that follow vary depending on the type of script list and the specifications of the definition file.

| Script Lists  | Operation when Script Executions Results are Abnormal  |   |
|---|--|---|
|   | SCRIPT_EXECUTION_MODE=continue   | SCRIPT_EXECUTION_MODE=stop                        |
| <ul style="list-style-type: none"> <li>- Script lists for setup</li> <li>- Script list for modification</li> <li>- Script lists for setup (physical server added)</li> <li>- Script lists for operations</li> </ul> | <p>Execution of the script is canceled.</p> <p>If a script for recovery has been prepared, the script for recovery is executed. (*1)</p> |   |
| <ul style="list-style-type: none"> <li>- Script list for deletion</li> <li>- Script lists for deletion (physical server deleted)</li> </ul>   | Execution of the script is continued.  | Execution of the script is canceled.              |
| <ul style="list-style-type: none"> <li>- Script lists for setup error recovery</li> </ul>   | Execution of the script is continued, without canceling execution of the script for recovery.  | Execution of the script for recovery is canceled. |

| Script Lists  | Operation when Script Executions Results are Abnormal |  |
|---|---|--|
|   | SCRIPT_EXECUTION_MODE=continue                        | SCRIPT_EXECUTION_MODE=stop   |
| <ul style="list-style-type: none"> <li>- Script lists for modification error recovery</li> <li>- Script lists for setup error recovery (physical server added)</li> </ul> |   | When the execution results are not abnormal, the script for recovery will be executed for all network devices. |

\*1: There are no scripts for recovery in script lists for operations.

For details of the specified parameters and possible parameter values of the definition file "SCRIPT\_EXECUTION\_MODE", refer to "F.7 Network Device Automatic Configuration and Operation Definition Files".

#### Differences in Operations Depending on Specifications in the Definition File "SCRIPT\_EXECUTION\_MODE"

The operations when executing scripts change depending on the specified values in the definition file "SCRIPT\_EXECUTION\_MODE". Decide the value to specify in "SCRIPT\_EXECUTION\_MODE" based on the specifications of the scripts being used.

Figure F.5 Example Script Operation not Reliant on SCRIPT\_EXECUTION\_MODE Specifications

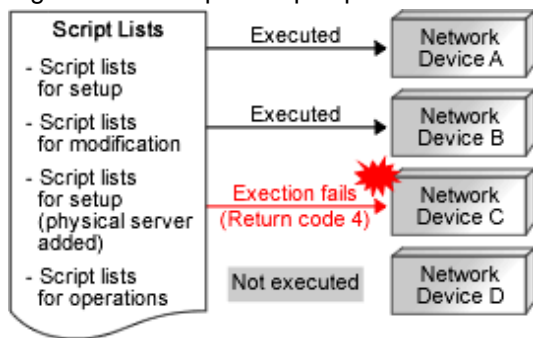


Figure F.6 Example Script Operation for SCRIPT\_EXECUTION\_MODE=continue

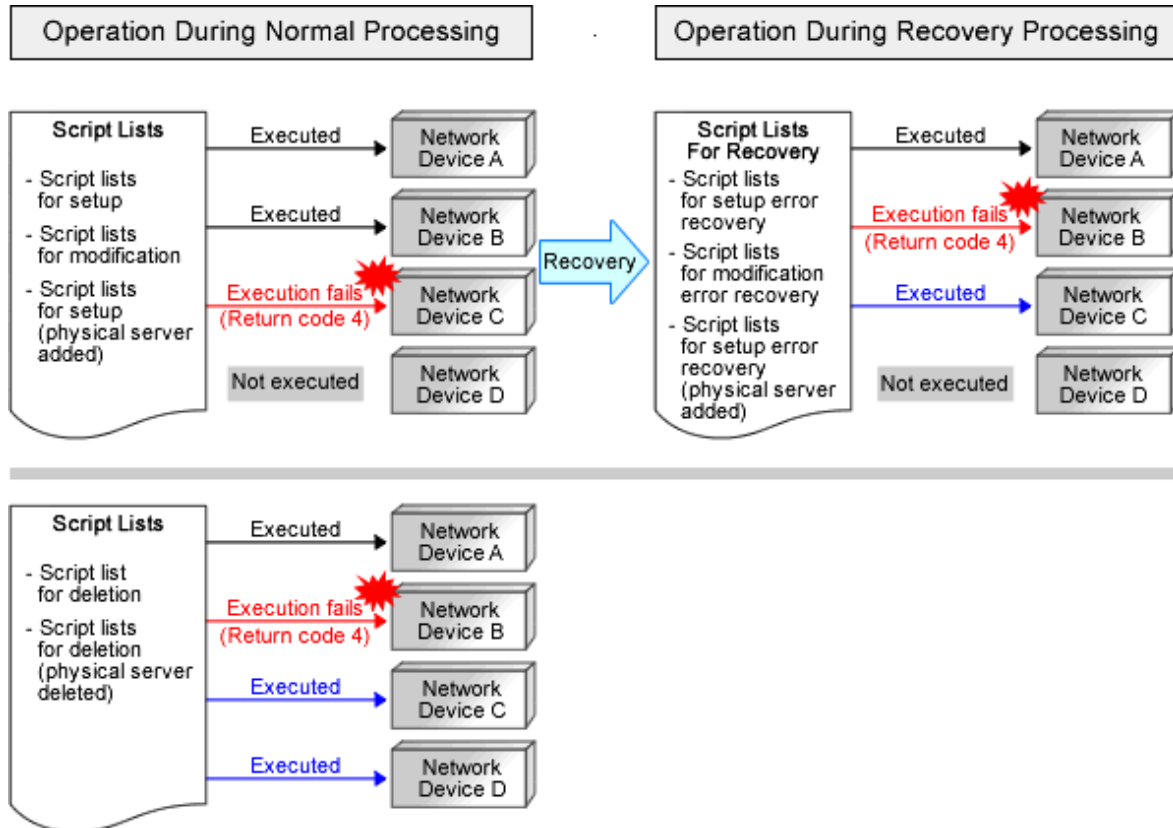
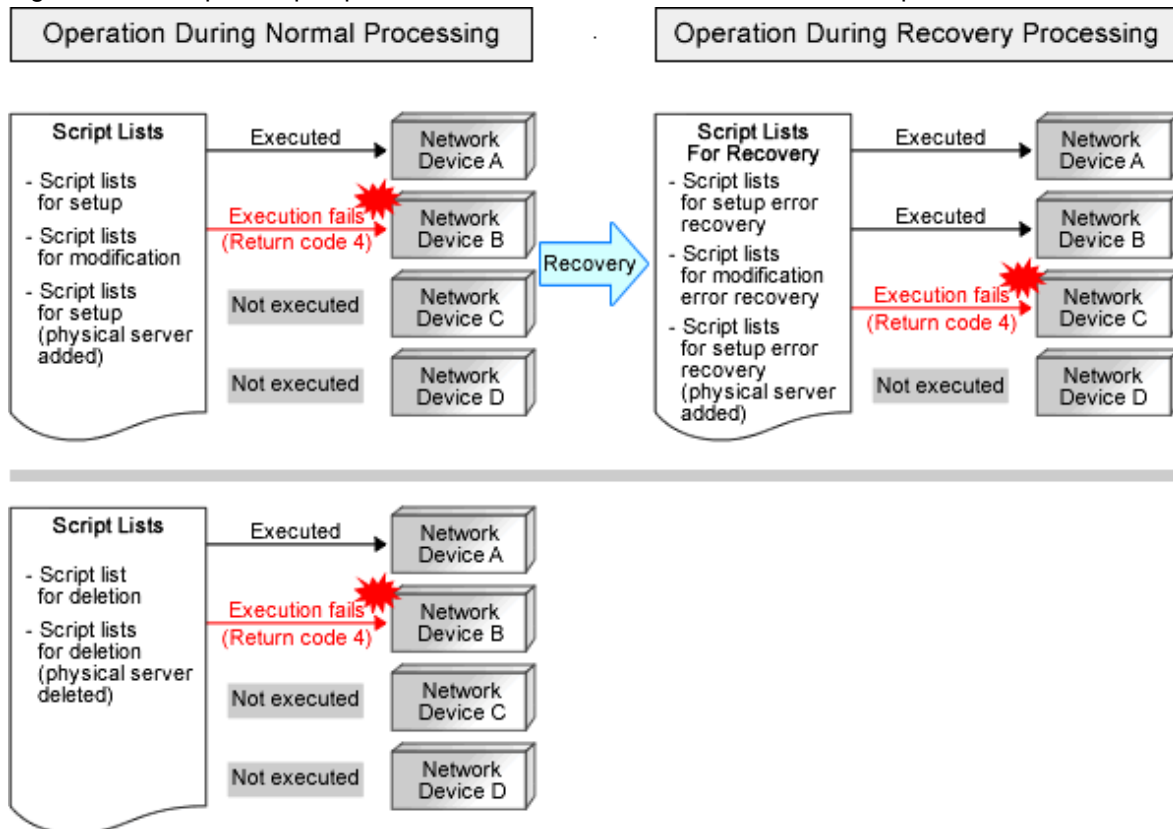


Figure F.7 Example Script Operation for SCRIPT\_EXECUTION\_MODE=stop



## Execution Conditions for Scripts for Recovery

This section explains the execution conditions for scripts for recovery.

- When "SCRIPT\_EXECUTION\_MODE=continue" is specified in the definition file

When an error occurs in a script for configuration or modification, the script for recovery will be executed for the network device the script was being executed on. Execution of the script for recovery is determined based on the return code of the script for configuration or modification.

| Return Code of the Script for Configuration or Modification | Application of the Script for Recovery  | Status of the Network Device after Script Execution |
|---|---|---|
| 0   | The script for recovery is executed     | Unchanged   |
| 4   | The script for recovery is executed     | Unchanged   |
| 6   | The script for recovery is not executed | Unchanged   |
| 8   | The script for recovery is not executed | It is placed into maintenance mode.                 |

- When "SCRIPT\_EXECUTION\_MODE=stop" is specified in the definition file

When an error occurs in a script for configuration or modification, all scripts in the script list for recovery will be executed.

For details of the specified parameters and possible parameter values of the definition file, refer to "[F.7 Network Device Automatic Configuration and Operation Definition Files](#)".

## F.6.3 Command Files

This section explains the format of command files.

### Format

```
Command for Network Device
.....
Command for Network Device
```

Only include commands for the target network device in the command file.

### Information

- Command format depends on the type of network device.
- When creating scripts referring to sample scripts, initial commands executed after logging in to a network device depend on the type of network device. So, it is necessary to change the initial commands and their responses in the script.
- If the structure of a script is same as that of a sample script, commands in the command file are executed after the execution of initial commands.

### Creation Example

```
class-map match-all %classmapname%
match source-address ip %ip%
match source-port %port%
match destination-address ip %Unm_IPv4& LServer_name&network_resource_name %
match destination-port %serverport%
...
interface %ifname%
rule access %num% in %classmapname% accept audit-session-norma audit-match-none
...
```



|                               |
|-------------------------------|
| commit<br>save startup-config |
|-------------------------------|

## Point

---

- All variable information in a command file is within the conversion range and converted before script execution. For the variable information which can be used, refer to "[Variable Information Usable in Scripts](#)".
  - When not using any sample scripts (such as when the infrastructure administrator creates their own new script), create command files in the appropriate format for the created script.
  - When scripts do not invoke command files, such as when not using sample scripts, it is no necessary to create a command file.
- 

## F.6.4 Parameter Files

---

This section explains the format of the parameter file.

### Format

The parameter file is in XML format.

Refer to "15.16 Parameter Files (for Scripts)" in the "Reference Guide (Command/XML) CE" for details.

## F.6.5 Interface Configuration Files

---

This section explains the format of the interface configuration file.

### Format

The interface configuration file is in XML format.

Refer to "15.17 Network Device Interface Configuration File" in the "Reference Guide (Command/XML) CE" for details.

## F.6.6 Script Operation Pre-checks

---

This appendix explains the procedure for checking the operation of created scripts in advance.

Please perform checks in a separate environment in order to prevent the operation check affecting the operational environment.

### Operation Checks of Scripts other than "Variable Information"

Check the operation of scripts excluding their "variable information".

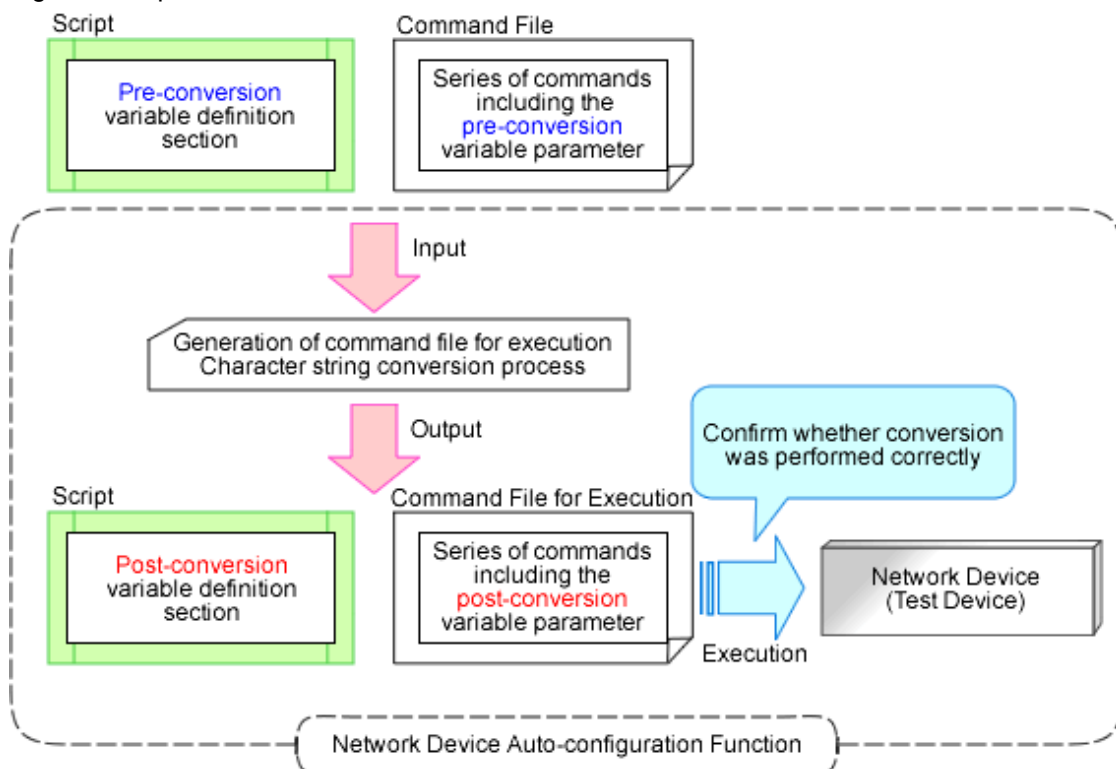
1. Prepare the network devices to use for the operation check.  
Prepare a network using network devices other than those used in the operating public LAN and admin LAN.
2. Register the network devices for the operation check.  
When using firewalls or server load balancers, create a network pool for the operation check and then register the network devices.
3. Prepare the script for the operation check, basing it on the script you plan to use in actual operation.  
At this time, make the following modifications to enable the operation check.
  - Replace the "variable information" of the script with the post-conversion values.
  - Change the log output settings to save the log in the desired location so that the execution results can be checked.
4. Use the auto-configuration function to perform auto-configuration of the network devices to be used in the operation check.
5. Check the operation results of the script in the output log.
6. Connect to the network devices and delete the definition set for the operation check.

### Conversion Checks of "Variable Information"

Check whether the "variable information" specified in the script file and command file was converted as intended.

1. Prepare the network devices to use for the operation check.  
Prepare a network using network devices other than those used in the operating public LAN and admin LAN.
2. Register the network devices for the operation check.  
When using firewalls or server load balancers, create a network pool for the operation check and then register the network devices.
3. Prepare the script that will be used in actual operation as the operation check script.
  - As configuration of network devices is not necessary, change the script to finish before it connects to the network devices.
  - Change the settings to save the log in the desired location so that the post-conversion "variable information" can be checked.
4. Use the auto-configuration function to perform auto-configuration of the network devices to be used in the operation check.
5. Check the conversion results of the "variable information" in the output log.

Figure F.8 Update Checks of Variable Information



## F.7 Network Device Automatic Configuration and Operation Definition Files

The definition used for network device automatic configuration or operation can be changed by setting the value in the following definition file beforehand.

### F.7.1 Storage Location of the Definition File

[Windows Manager]

*Installation\_folder*\SVROR\Manager\etc\customize\_data

[Linux Manager]

/etc/opt/FJSVrcvnr/customize\_data

## F.7.2 Definition File Name

---

Definition File Name

unm\_provisioning.rcxprop

Sample Definition File

unm\_provisioning.rcxprop.sample

## F.7.3 Definition File Format

---

### Script language

Specify the script language when you want to use a language other than ruby.



#### Information

Ruby is used as the script language in sample scripts.

Parameter Format of Definition Files

```
extension_Extension=Execution file path
```

Specify the extension of the script language such as "rb" or "pl" for *Extension*.

When there is no specification for the *Extension*, jruby is used.

*Execution file path* specifies the absolute path.



#### Example

```
extension_rb=/usr/bin/jruby
```

### Monitoring Time of Script

Specify the monitoring time when you want to change it to a value besides 300 (seconds).



#### Information

In the network device automatic configuration function, script execution time is monitored.

When the monitoring time has passed since the beginning of the script execution, the processing of the script is terminated.

Parameter Format of Definition Files

```
EXECUTE_TIMEOUT=monitoring time
```

Specify the *monitoring time* within the range of 1 to 7200 (seconds).

When the specified value is non-numeric or is outside of the above-mentioned range, 300 (seconds) is used.



#### Example

```
EXECUTE_TIMEOUT=600
```

### Upper Output Limit of Operation Rulesets

Specify the upper output limit of operation ruleset when you want to change it to a value other than 500 (KB).

## Information

When a large amount of data is output as a result of executing a ruleset for operations on network devices, a large amount of memory resources is consumed. Memory consumption can be limited by customizing the upper output limit.

### Parameter Format of Definition Files

```
SCRIPT_OUTPUT_SIZE_LIMIT= upper output limit
```

Specify the *upper output limit* within the range of 1-10000 (KB).

When the specified value is non-numeric or is outside the range mentioned above, 500 (KB) is used.

## Example

```
SCRIPT_OUTPUT_SIZE_LIMIT=300
```

## Operation Specifications when Script Executions Results are Abnormal

This section explains the operations when there are abnormal script execution results when executing a script list. The following script lists are the targets.

- Script lists for setup error recovery
- Script lists for modification error recovery
- Script list for deletion
- Script lists for setup error recovery (physical server added)
- Script lists for deletion (physical server deleted)

For details on the operations when scripts are executed based on specified values, refer to "[Differences in Operations Depending on Specifications in the Definition File "SCRIPT\\_EXECUTION\\_MODE"](#)".

## Information

When using simple configuration, as the scripts are prepared in advance configuration of this definition is not necessary.

### Parameter Format of Definition Files

- To execute successive scripts listed in the script list

```
SCRIPT_EXECUTION_MODE=continue
```

- To cancel successive scripts listed in the script list

```
SCRIPT_EXECUTION_MODE=stop
```

If a value other than continue or stop is specified, or no value is specified, stop will be used.

## Example

```
SCRIPT_EXECUTION_MODE=continue
```

# Appendix G Sample Script for Automatic Configuration and Operation of Network Devices

This section explains the sample scripts provided by Resource Orchestrator for automatic configuration and operation of network devices.

## G.1 Sample List

Sample scripts are provided as rulesets. The following table shows the list of rulesets.

Table G.1 Rulesets Provided as Sample Scripts

| Ruleset Name                     | Use  |   |
|----------------------------------|--|---|
| 3Tier_system_firewall--IPCOMSC1  | For deploying firewalls (IPCOM EX series)  | For the IPCOM EX SC series                                    |
| 3Tier_system_firewall--IPCOMSC2  |  |   |
| 3Tier_system_firewall--IPCOMSC3  |  |   |
| 3Tier_system_firewall--IPCOMIN2  | For the IPCOM EX IN series   |   |
| 3Tier_system_firewall--IPCOMIN3  |  |   |
| 3Tier_sys_firewall--IPCOMVALS2   | For deploying firewalls (IPCOM VA series)  | For the IPCOM VA LS series                                    |
| FW_of_3Tier_sys--NSAppliance1    | For deploying firewalls (NS Appliance)   | For NS Appliance  |
| FW_of_3Tier_sys--NSAppliance2    |  |   |
| 3Tier_system_firewall--ASA1      | For deploying firewalls (ASA 5500 series)  | For the ASA 5500 series                                       |
| 3Tier_system_firewall--ASA2      |  |   |
| 3Tier_system_firewall--ASA3      |  |   |
| SLB_with_SSL-ACC--IPCOM1         | For deploying firewalls and server load balancers (IPCOM EX IN series)   | For deploying the IPCOM EX IN series as server load balancers |
| SLB_without_SSL-ACC--IPCOM1      |  |   |
| FW_of_3Tier_sys_inc_SLB--IPCOM1  |  | For deploying the IPCOM EX IN series as firewalls             |
| FW_of_3Tier_sys_inc_SLB--IPCOM2  |  |   |
| FW_of_3Tier_sys_inc_SLB--IPCOM3  |  |   |
| SLB_with_SSL-ACC--IPCOMVALS1     | For deploying firewalls and server load balancers (IPCOM VA LS series)   | For deploying the IPCOM VA LS series as server load balancers |
| SLB_without_SSL-ACC--IPCOMVALS1  |  | For deploying the IPCOM VA LS series as firewalls             |
| firewall_inc_SLB--IPCOMVALS2     |  |   |
| SLB_with_SSL-ACC--NSApp1         | For deploying firewalls and server load balancers (NS Appliance)   | For deploying server load balancers of NS Appliance           |
| SLB_without_SSL-ACC--NSApp1      |  | For deploying firewalls of NS Appliance                       |
| FW_of_sys_inc_SLB_or_not--NSApp1 |  |   |
| FW_of_sys_inc_SLB_or_not--NSApp2 |  |   |
| SLB_with_SSL-ACC--BIGIP1         | For deploying firewalls and server load balancers (combination of the ASA 5500 series and the BIG-IP LTM series) | For deploying the BIG-IP LTM series as server load balancers  |
| SLB_without_SSL-ACC--BIGIP1      |  | For deploying the ASA 5500 series as firewalls                |
| FW_of_3Tier_sys_inc_SLB--ASA1    |  |   |
| FW_of_3Tier_sys_inc_SLB--ASA2    |  |   |
| FW_of_3Tier_sys_inc_SLB--ASA3    |  |   |
| SLB_with_SSL-ACC--BIGIP2         | For deploying server load balancers (BIG-IP LTM series)  | For the BIG-IP LTM series                                     |
| SLB_without_SSL-ACC--BIGIP2      |  |   |

|   |   |                                     |
|---|---|-------------------------------------|
| tag_vlan_net--SR-X300<br>tag_vlan_net--SR-X300_n  | For deploying L2 switches<br>(folder common to network devices)         | For the SR-X 300 series             |
| tag_vlan_port--SR-X300<br>tag_vlan_port--SR-X300_n  | For deploying L2 switches<br>(folder for the particular network device) |                                     |
| untag_vlan_net--SR-X300<br>untag_vlan_net--SR-X300_n  | For deploying L2 switches<br>(folder common to network devices)         |                                     |
| untag_vlan_port--SR-X300<br>untag_vlan_port--SR-X300_n  | For deploying L2 switches<br>(folder for the particular network device) |                                     |
| tag_vlan_net--SR-X500<br>tag_vlan_net--SR-X500_n  | For deploying L2 switches<br>(folder common to network devices)         | For the SR-X 500 Series             |
| tag_vlan_port--SR-X500<br>tag_vlan_port--SR-X500_n  | For deploying L2 switches<br>(folder for the particular network device) |                                     |
| untag_vlan_net--SR-X500<br>untag_vlan_net--SR-X500_n  | For deploying L2 switches<br>(folder common to network devices)         |                                     |
| untag_vlan_port--SR-X500<br>untag_vlan_port--SR-X500_n  | For deploying L2 switches<br>(folder for the particular network device) |                                     |
| tag_vlan_net--Catalyst<br>tag_vlan_net--Catalystn   | For deploying L2 switches<br>(folder common to network devices)         | For the Catalyst series             |
| tag_vlan_port--Catalyst<br>tag_vlan_port--Catalystn   | For deploying L2 switches<br>(folder for the particular network device) |                                     |
| untag_vlan_net--Catalyst<br>untag_vlan_net--Catalystn   | For deploying L2 switches<br>(folder common to network devices)         |                                     |
| untag_vlan_port--Catalyst<br>untag_vlan_port--Catalystn   | For deploying L2 switches<br>(folder for the particular network device) |                                     |
| tag_vlan_net--Nexus5000<br>tag_vlan_net--Nexus5000_n  | For deploying L2 switches<br>(folder common to network devices)         | For the Nexus 5000 series(*)        |
| tag_vlan_port--Nexus5000<br>tag_vlan_port--Nexus5000_n  | For deploying L2 switches<br>(folder for the particular network device) |                                     |
| untag_vlan_net--Nexus5000<br>untag_vlan_net--Nexus5000_n  | For deploying L2 switches<br>(folder common to network devices)         |                                     |
| untag_vlan_port--Nexus5000<br>untag_vlan_port--Nexus5000_n  | For deploying L2 switches<br>(folder for the particular network device) |                                     |
| SLB_server_disable--IPCOM<br>SLB_server_enable--IPCOM<br>SLB_vserver_status--IPCOM<br>SLB_vserver_statistics--IPCOM         | For operation of server load balancers                                  | For operation of IPCOM EX IN series |
| SLB_server_disable--IPCOMVA<br>SLB_server_enable--IPCOMVA<br>SLB_vserver_status--IPCOMVA<br>SLB_vserver_statistics--IPCOMVA |   | For Operation of IPCOM VA LS Series |
| SLB_server_disable--NSApp<br>SLB_server_enable--NSApp<br>SLB_vserver_status--NSApp<br>SLB_vserver_statistics--NSApp         |   | For NS Appliance operation          |
| SLB_server_disable--BIGIP<br>SLB_server_enable--BIGIP<br>SLB_vserver_status--BIGIP  |   | For operating the BIG-IP LTM series |

\_n: Configuration differs depending on the number in *n*.

When *n* is not specified: LAN channels are in a non-redundant configuration  
 When *n* is "2": LAN channels are in a redundant configuration  
 When *n* is "3": LAN channels are in a redundant configuration using link aggregation

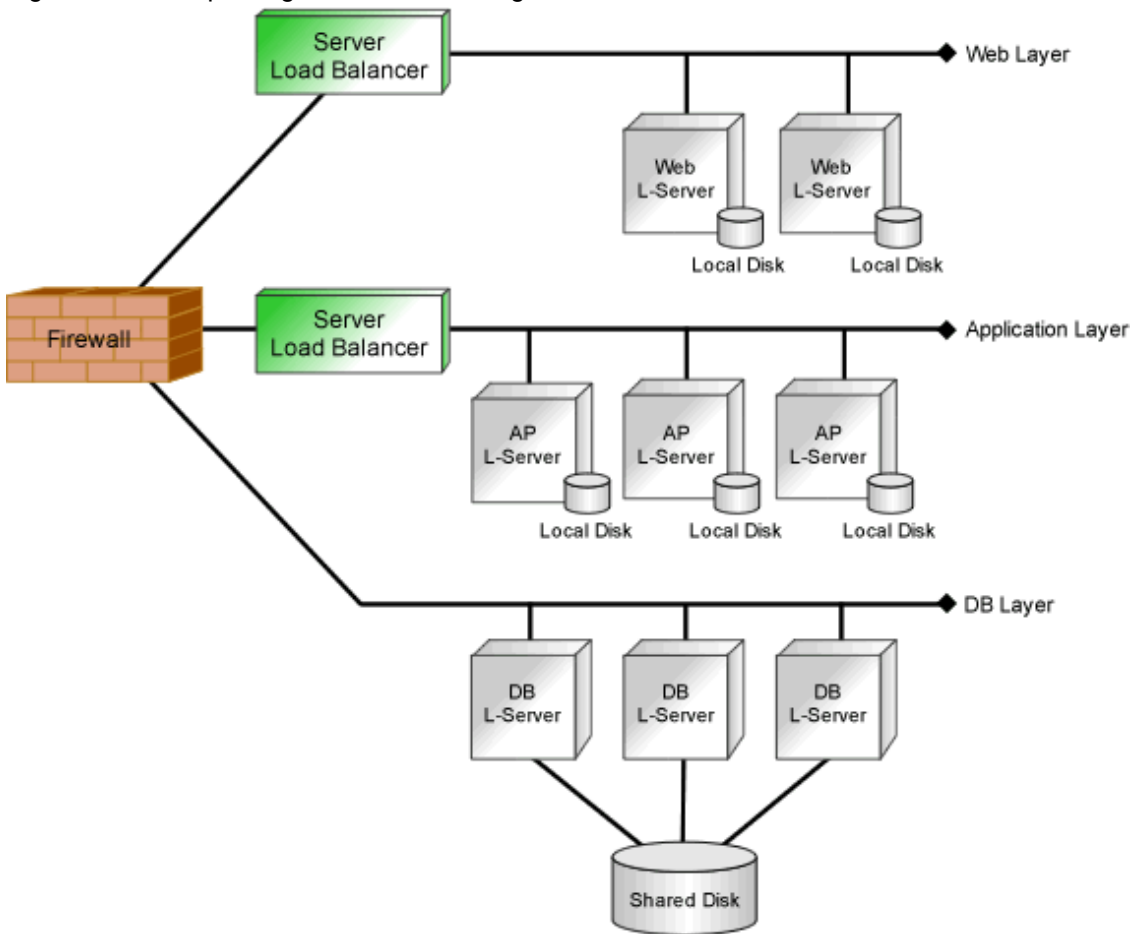
(\*) Automatic configuration of Nexus 2000 series (except Nexus B22 Blade Fabric Extender) connected to Nexus 5000 series using a fabric interface is possible.

## G.2 Relationship Between Logical Network Configurations and Sample Scripts

This section explains the relationship between logical network configurations and sample scripts.

The following figure shows an example logical network configuration.

Figure G.1 Example Logical Network Configuration



### Information

The example logical network configuration explained above includes both a firewall and server load balancers. Other possible logical network configurations are as follows:

- Configurations including firewalls, but not server load balancers.
- Configurations including server load balancers, but not firewalls.

## G.2.1 Rulesets Usable for Automatic Configuration of Logical Network Configurations Including both Firewalls and Server Load Balancers

This section explains the rulesets used for automatic configuration of logical network configurations including both firewalls and server load balancers.

### When Using the IPCOM EX IN Series

- For Firewalls

| Ruleset Name                                    | Target Model                      | Remarks                    |
|---|-----------------------------------|----------------------------|
| <a href="#">FW_of_3Tier_sys_inc_SLB--IPCOM1</a> | IPCOMEX2000A_IN<br>IPCOMEX2300_IN | Non-redundant LAN channels |
| <a href="#">FW_of_3Tier_sys_inc_SLB--IPCOM2</a> | IPCOMEX2000A_IN<br>IPCOMEX2300_IN | Redundant LAN channels     |
| <a href="#">FW_of_3Tier_sys_inc_SLB--IPCOM3</a> | IPCOMEX2500_IN                    |                            |

- For Server Load Balancers

| Ruleset Name                                | Remarks                    |
|---|----------------------------|
| <a href="#">SLB_with_SSL-ACC--IPCOM1</a>    | With an SSL accelerator    |
| <a href="#">SLB_without_SSL-ACC--IPCOM1</a> | Without an SSL accelerator |

### When Using the IPCOM VA LS Series

- For Firewalls

| Ruleset Name                                 | Target Model   | Remarks                |
|--|----------------|------------------------|
| <a href="#">Firewall_inc_SLB--IPCOMVALS2</a> | IPCOMVA1700_LS | Redundant LAN channels |

- For Server Load Balancers

| Ruleset Name                                    | Remarks                    |
|---|----------------------------|
| <a href="#">SLB_with_SSL-ACC--IPCOMVALS1</a>    | With an SSL accelerator    |
| <a href="#">SLB_without_SSL-ACC--IPCOMVALS1</a> | Without an SSL accelerator |

### When Using NSAppliance

- For Firewalls

| Ruleset Name                                     | Remarks   |
|--|---|
| <a href="#">FW_of_sys_inc_SLB_or_not--NSApp1</a> | For network configurations including customer firewalls     |
| <a href="#">FW_of_sys_inc_SLB_or_not--NSApp2</a> | For network configurations not including customer firewalls |

- For Server Load Balancers

| Ruleset Name                                | Remarks                    |
|---|----------------------------|
| <a href="#">SLB_with_SSL-ACC--NSApp1</a>    | With an SSL accelerator    |
| <a href="#">SLB_without_SSL-ACC--NSApp1</a> | Without an SSL accelerator |

### When Using the ASA 5500 Series and BIG-IP LTM Series

- For Firewalls



| Ruleset Name                                  | Target Model                     |
|---|----------------------------------|
| <a href="#">FW_of_3Tier_sys_inc_SLB--ASA1</a> | ASA 5510                         |
| <a href="#">FW_of_3Tier_sys_inc_SLB--ASA2</a> | ASA 5520<br>ASA 5540<br>ASA 5550 |
| <a href="#">FW_of_3Tier_sys_inc_SLB--ASA3</a> | ASA 5580                         |

- For Server Load Balancers

| Ruleset Name                                | Remarks                    |
|---|----------------------------|
| <a href="#">SLB_with_SSL-ACC--BIGIP1</a>    | With an SSL accelerator    |
| <a href="#">SLB_without_SSL-ACC--BIGIP1</a> | Without an SSL accelerator |

## G.2.2 Rulesets for Automatic Configuration of Logical Network Configurations Including only Firewalls

---

This section explains the rulesets used for automatic configuration of logical network configurations including only firewalls.

### When Using the IPCOM EX SC Series

| Ruleset Name                                    | Target Model  |
|---|---|
| <a href="#">3Tier_system_firewall--IPCOMSC1</a> | IPCOMEX1100_SC<br>IPCOMEX1300_SC<br>IPCOMEX2000A_SC |
| <a href="#">3Tier_system_firewall--IPCOMSC2</a> | IPCOMEX2000A_SC<br>IPCOMEX2300_SC                   |
| <a href="#">3Tier_system_firewall--IPCOMSC3</a> | IPCOMEX2500_SC                                      |

### When Using the IPCOM EX IN Series

| Ruleset Name                                    | Target Model                      |
|---|-----------------------------------|
| <a href="#">3Tier_system_firewall--IPCOMIN2</a> | IPCOMEX2000A_IN<br>IPCOMEX2300_IN |
| <a href="#">3Tier_system_firewall--IPCOMIN3</a> | IPCOMEX2500_IN                    |

### When Using the IPCOM VA LS Series

| Ruleset Name                                      | Target Model   |
|---|----------------|
| <a href="#">3Tier_system_firewall--IPCOMVALS2</a> | IPCOMVA1700_LS |

### When Using NSAppliance

| Ruleset Name                                  | Remarks   |
|---|---|
| <a href="#">FW_of_3Tier_sys--NSAppliance1</a> | For network configurations including customer firewalls     |
| <a href="#">FW_of_3Tier_sys--NSAppliance2</a> | For network configurations not including customer firewalls |

### When Using the ASA 5500 Series

| Ruleset Name                                | Target Model |
|---|--------------|
| <a href="#">3Tier_system_firewall--ASA1</a> | ASA 5510     |

|                             |                                  |
|-----------------------------|----------------------------------|
| 3Tier_system_firewall--ASA2 | ASA 5520<br>ASA 5540<br>ASA 5550 |
| 3Tier_system_firewall--ASA3 | ASA 5580                         |

## G.2.3 Rulesets for Automatic Configuration of Logical Network Configurations Including only Server Load Balancers

This section explains the rulesets used for automatic configuration of logical network configurations including only server load balancers.

### When Using the BIG-IP LTM Series

| Ruleset Name                | Remarks                    |
|-----------------------------|----------------------------|
| SLB_with_SSL-ACC--BIGIP2    | With an SSL accelerator    |
| SLB_without_SSL-ACC--BIGIP2 | Without an SSL accelerator |

## G.2.4 Rulesets for Automatic Configuration of any Logical Network Configurations

This section explains the rulesets used for automatic configuration of L2 switches. Although L2 switches do not appear on logical network configurations, the configuration of the L2 switches is necessary to connect firewalls, server load balancers, and L-Servers.

### For the SR-X 300 series

| Ruleset Name   | Remarks                    |
|--|----------------------------|
| tag_vlan_net--SR-X300<br>tag_vlan_net--SR-X300_n       | For tagged VLAN networks   |
| tag_vlan_port--SR-X300<br>tag_vlan_port--SR-X300_n     |                            |
| untag_vlan_net--SR-X300<br>untag_vlan_net--SR-X300_n   | For untagged VLAN networks |
| untag_vlan_port--SR-X300<br>untag_vlan_port--SR-X300_n |                            |

\_n: Configuration differs depending on the number in *n*.

When *n* is not specified: LAN channels are in a non-redundant configuration

When *n* is "2": LAN channels are in a redundant configuration

When *n* is "3": LAN channels are in a redundant configuration using link aggregation

### For the SR-X 500 Series

| Ruleset Name   | Remarks                    |
|--|----------------------------|
| tag_vlan_net--SR-X500<br>tag_vlan_net--SR-X500_n       | For tagged VLAN networks   |
| tag_vlan_port--SR-X500<br>tag_vlan_port--SR-X500_n     |                            |
| untag_vlan_net--SR-X500<br>untag_vlan_net--SR-X500_n   | For untagged VLAN networks |
| untag_vlan_port--SR-X500<br>untag_vlan_port--SR-X500_n |                            |

\_n: Configuration differs depending on the number in *n*.

When *\_n* is not specified: LAN channels are in a non-redundant configuration  
 When *n* is "2": LAN channels are in a redundant configuration  
 When *n* is "3": LAN channels are in a redundant configuration using link aggregation

**For the Catalyst series**

| Ruleset Name   | Remarks                    |
|--|----------------------------|
| <a href="#">tag_vlan_net--Catalyst</a><br><a href="#">tag_vlan_net--Catalyst_n</a>       | For tagged VLAN networks   |
| <a href="#">tag_vlan_port--Catalyst</a><br><a href="#">tag_vlan_port--Catalyst_n</a>     |                            |
| <a href="#">untag_vlan_net--Catalyst</a><br><a href="#">untag_vlan_net--Catalyst_n</a>   | For untagged VLAN networks |
| <a href="#">untag_vlan_port--Catalyst</a><br><a href="#">untag_vlan_port--Catalyst_n</a> |                            |

*\_n*: Configuration differs depending on the number in *n*.

When *\_n* is not specified: LAN channels are in a non-redundant configuration  
 When *n* is "2": LAN channels are in a redundant configuration  
 When *n* is "3": LAN channels are in a redundant configuration using link aggregation

**For the Nexus5000 series**

| Ruleset Name   | Remarks                    |
|--|----------------------------|
| <a href="#">tag_vlan_net--Nexus5000</a><br><a href="#">tag_vlan_net--Nexus5000_n</a>       | For tagged VLAN networks   |
| <a href="#">tag_vlan_port--Nexus5000</a><br><a href="#">tag_vlan_port--Nexus5000_n</a>     |                            |
| <a href="#">untag_vlan_net--Nexus5000</a><br><a href="#">untag_vlan_net--Nexus5000_n</a>   | For untagged VLAN networks |
| <a href="#">untag_vlan_port--Nexus5000</a><br><a href="#">untag_vlan_port--Nexus5000_n</a> |                            |

*\_n*: Configuration differs depending on the number in *n*.

When *\_n* is not specified: LAN channels are in a non-redundant configuration  
 When *n* is "2": LAN channels are in a redundant configuration  
 When *n* is "3": LAN channels are in a redundant configuration using link aggregation

**G.2.5 Rulesets for Operating Server Load Balancers**

This section explains about rulesets used for operation of server load balancers deployed on logical network configurations.

When server load balancers are deployed, the rulesets are available for the server load balancers regardless of the logical network configuration.

**When Using the IPCOM EX IN Series**

| Ruleset Name                                  | Remarks   |
|---|---|
| <a href="#">SLB_server_disable--IPCOM</a>     | Instruction to stop performing load balancing for a server  |
| <a href="#">SLB_server_enable--IPCOM</a>      | Instruction to perform load balancing for a server  |
| <a href="#">SLB_vserver_status--IPCOM</a>     | Instruction to display the load balancing status of server load balancer rules                            |
| <a href="#">SLB_vserver_statistics--IPCOM</a> | Instruction to collect statistical information of the load balancing status of server load balancer rules |

### When Using the IPCOM VA LS Series

| Ruleset Name                    | Remarks   |
|---------------------------------|---|
| SLB_server_disable--IPCOMVA     | Instruction to stop performing load balancing for a server  |
| SLB_server_enable--IPCOMVA      | Instruction to perform load balancing for a server  |
| SLB_vserver_status--IPCOMVA     | Instruction to display the load balancing status of server load balancer rules                            |
| SLB_vserver_statistics--IPCOMVA | Instruction to collect statistical information of the load balancing status of server load balancer rules |

### When Using NSAppliance

| Ruleset Name                  | Remarks   |
|-------------------------------|---|
| SLB_server_disable--NSApp     | Instruction to stop performing load balancing for a server  |
| SLB_server_enable--NSApp      | Instruction to perform load balancing for a server  |
| SLB_vserver_status--NSApp     | Instruction to display the load balancing status of server load balancer rules                            |
| SLB_vserver_statistics--NSApp | Instruction to collect statistical information of the load balancing status of server load balancer rules |

### When Using the BIG-IP LTM Series

| Ruleset Name              | Remarks  |
|---------------------------|--|
| SLB_server_disable--BIGIP | Instruction to disable pool members  |
| SLB_server_enable--BIGIP  | Instruction to enable pool members   |
| SLB_vserver_status--BIGIP | Instruction to collect statistical information on virtual servers and the statuses of pool members |

## G.3 Sample Scripts (For Automatic Configuration)

Sample scripts to be used for automatic configuration of network devices are registered in the following folder when Resource Orchestrator is installed.

[Windows Manager]

*Installation\_folder\SVROR\Manager\etc\scripts\original\vendor\_name\unit\_name\rulesets\ruleset\_name\  
Installation\_folder\SVROR\Manager\etc\scripts\original\network\_resource\ruleset\_name\*

[Linux Manager]

*/etc/opt/FJSVrcvmr/scripts/original/vendor\_name/unit\_name/rulesets/ruleset\_name/  
/etc/opt/FJSVrcvmr/scripts/original/network\_resource/ruleset\_name/*

The following table lists the unit names supported by the sample scripts provided by Resource Orchestrator:

Table G.2 Units for which Sample Scripts are Provided

| Vendor  | Unit Name | Type        | Setting Details   |
|---------|-----------|-------------|---|
| Fujitsu | SR-X 500  | L2 switches | [When creating a network resource]  |
|         | SR-X 300  |             | <ul style="list-style-type: none"> <li>- Add VLAN to interface (tagged VLAN, port VLAN) or</li> <li>- Add VLAN to LAG interface (tagged VLAN, port VLAN)</li> </ul> |
|         |           |             | [When deleting a network resource] <ul style="list-style-type: none"> <li>- Delete the VLAN of the interface (tagged VLAN, port VLAN) or</li> </ul>                 |

| Vendor      | Unit Name   | Type                                    | Setting Details  |
|-------------|-------------|---|--|
|             |             |   | - Delete VLAN of LAG interface (tagged VLAN, port VLAN)                  |
|             | IPCOMEXSC   | Firewall<br>(*1)                        | [When creating an L-Platform]  |
|             | IPCOMEXIN   |   | - External interface (center switch side)                                |
|             | IPCOMVALS   |   | - Add VLAN interface   |
|             |             |   | - Internal interface (L2 switches/server side)                           |
|             | NSAppliance |   | - Add VLAN interface   |
|             |             |   | - Add VLAN interface   |
|             |             |   | [When modifying the firewall configuration of an L-Platform]             |
|             |             |   | - External interface (center switch side)                                |
|             |             |   | - Change firewall rules  |
|             |             |   | - Add dstNAT rules   |
|             |             |   | - Add srcNAT rules   |
|             |             |   | - Internal interface (L2 switches/server side)                           |
|             |             |   | - Change firewall rules  |
|             |             |   | [When deleting an L-Platform]  |
|             |             |   | - External interface (center switch side)                                |
|             |             |   | - Delete VLAN interface  |
|             |             |   | - Delete dstNAT rules  |
|             |             |   | - Delete srcNAT rules  |
|             |             |   | - Internal interface (L2 switches/server side)                           |
|             |             |   | - Delete VLAN interface  |
|             |             |   | - Delete VLAN interface  |
|             | IPCOMEXIN   | Server load balancer<br>(*3)            | [When creating an L-Platform]  |
|             | IPCOMVALS   |   | - No operation involved  |
|             |             |   | [When modifying the server load balancer configuration of an L-Platform] |
| NSAppliance |             | - Add server load balancer rules        |  |
|             |             | - Add SSL accelerator configurations    |  |
|             |             | [When deleting an L-Platform]           |  |
|             |             | - Delete server load balancer rules     |  |
|             |             | - Delete SSL accelerator configurations |  |
| Cisco       | Catalyst    | L2 switches                             | [When creating a network resource]                                       |
|             | Nexus 5000  |   | - Add VLAN to interface (tagged VLAN, port VLAN) or                      |
|             |             |   | - Add VLAN to LAG interface (tagged VLAN, port VLAN)                     |
|             |             |   | [When deleting a network resource]                                       |

| Vendor      | Unit Name   | Type                         | Setting Details  |
|-------------|-------------|------------------------------|--|
|             | ASA 5500    | Firewall<br>(*1)             | <ul style="list-style-type: none"> <li>- Delete the VLAN of the interface (tagged VLAN, port VLAN) or</li> <li>- Delete VLAN of LAG interface (tagged VLAN, port VLAN)</li> </ul> <p>[When creating an L-Platform]</p> <ul style="list-style-type: none"> <li>- External interface (center switch side) <ul style="list-style-type: none"> <li>- Add VLAN interface</li> <li>- Add dstNAT rules</li> <li>- Add srcNAT rules</li> </ul> </li> <li>- Internal interface (L2 switches) <ul style="list-style-type: none"> <li>- Add VLAN interface</li> <li>- Add VLAN interface</li> </ul> </li> </ul> <p>[When modifying the firewall configuration of an L-Platform]</p> <ul style="list-style-type: none"> <li>- External interface (center switch side) <ul style="list-style-type: none"> <li>- Change firewall rules</li> <li>- Change dstNAT rules</li> <li>- Change srcNAT rules</li> </ul> </li> <li>- Internal interface (L2 switches) <ul style="list-style-type: none"> <li>- Change firewall rules</li> </ul> </li> </ul> <p>[When deleting an L-Platform]</p> <ul style="list-style-type: none"> <li>- External interface (center switch side) <ul style="list-style-type: none"> <li>- Delete VLAN interface</li> <li>- Delete dstNAT rules</li> <li>- Delete srcNAT rules</li> </ul> </li> <li>- Internal interface (L2 switches) <ul style="list-style-type: none"> <li>- Delete VLAN interface</li> <li>- Delete VLAN interface</li> </ul> </li> </ul> |
| F5 Networks | BIG-IP (*2) | Server load balancer<br>(*3) | <p>[When creating an L-Platform]</p> <ul style="list-style-type: none"> <li>- Add VLAN interface</li> </ul> <p>[When modifying the server load balancer configuration of an L-Platform]</p> <ul style="list-style-type: none"> <li>- Add VLAN interface</li> <li>- Add server load balancer rules</li> <li>- Add SSL accelerator configurations</li> </ul> <p>[When deleting an L-Platform]</p> <ul style="list-style-type: none"> <li>- Delete VLAN interface</li> <li>- Delete server load balancer rules</li> </ul>   |

| Vendor | Unit Name | Type | Setting Details                         |
|--------|-----------|------|---|
|        |           |      | - Delete SSL accelerator configurations |

\*1: Configure firewall rules for the VLAN interfaces of LAN ports to use as public LANs.

\*2: Network device names of the BIG-IP LTM series are treated as being "BIG-IP".

\*3: Server load balancer rules are configured for public LAN connections.

## Information

When using the sample scripts provided by Resource Orchestrator, the protocols used for automatic configuration and network device names are as follows. Sample scripts use those protocols when connecting to network devices.

- With TELNET protocol
  - SR-X 300/SR-X 500
  - IPCOMEXSC/IPCOMEXIN
  - IPCOMVALS
  - NSAppliance
  - Catalyst
  - Nexus 5000
  - ASA 5500
- With SSH protocol
  - BIG-IP

## Note

The sample scripts provided by Resource Orchestrator may be added or deleted when the software is updated.

When using the sample scripts, confirm the directory on the admin server in which the sample scripts are registered beforehand.

## G.3.1 Preparations for Using Sample Scripts

This section explains the preparations for using sample scripts for automatic configuration of network devices.

- Specify "SCRIPT\_EXECUTION\_MODE=continue" in the definition file.  
For details on definition files, refer to "[F.7.3 Definition File Format](#)".
- For rulesets, it is necessary to register a folder created using the "Vendor" and "Unit Name" described in "[Table G.2 Units for which Sample Scripts are Provided](#)". If the necessary sample scripts are not registered in the folder, the sample scripts registered when this product was installed will be copied.
- It is required to change the following files based on your system configuration.
  - Parameter Files (for Scripts)  
For information about parameter files, refer to "15.16 Parameter Files (for Scripts)" in the "Reference Guide (Command/XML) CE".
  - Network Device Interface Configuration File  
For details on how to configure the interfaces of network devices, refer to "[G.5.4 Interface Configuration Files](#)".
- It is necessary to customize the parameters of sample scripts for deploying L2 switches according to their model configuration.  
For information about customization, refer to the explanation of each ruleset.

- When using the BIG-IP LTM series, it is necessary to prepare an SSH environment.  
Refer to "[F.2.1 When Connecting to Network Devices with SSH](#)" for more information.

## **G.3.2 Types of Sample Scripts**

---

The following sections explain the sample scripts in the following list.

- [For Deploying Firewalls \(IPCOM EX Series\)](#)
- [For Deploying Firewalls \(IPCOM VA Series\)](#)
- [For Deploying Firewalls \(NS Appliance\)](#)
- [For Deploying Firewalls \(ASA 5500 Series\)](#)
- [For Deploying Firewalls and Server Load Balancers \(IPCOM EX IN series\)](#)
- [For Deployment of Firewalls and Server Load Balancers \(for IPCOM VA LS series\)](#)
- [For Deploying Firewalls and Server Load Balancers \(NS Appliance\)](#)
- [For Deploying Firewalls or Server Load Balancers \(Combinations of ASA 5500 Series and BIG-IP LTM Series\)](#)
- [For Deploying Server Load Balancers \(BIG-IP LTM Series\)](#)
- [For Deploying L2 Switches](#)

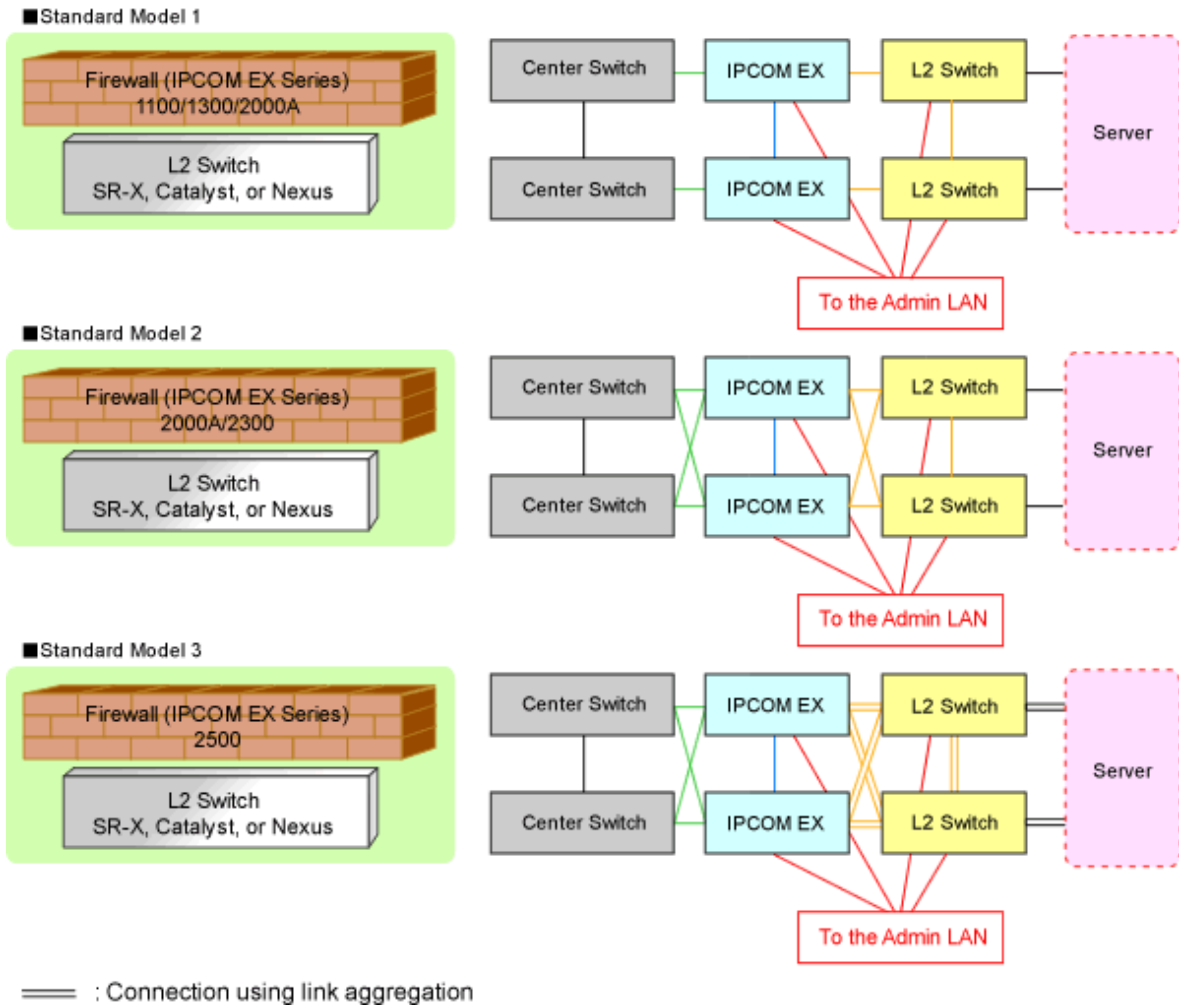
## **G.3.3 For Deploying Firewalls (IPCOM EX Series)**

---

The default model configuration assumed by a sample script is given below.



Figure G.2 Standard Model Configurations of Sample Scripts (Firewalls: IPCOM EX Series)



The names of the sample rulesets provided by Resource Orchestrator are listed below.

### For IPCOM EX SC

#### 3Tier\_system\_firewall--IPCOMSC1

This is used for 3-tier models when using an IPCOM EX SC series as a firewall  
 For systems that use an IPCOMEX1100\_SC/1300\_SC/2000A\_SC

Adaptive model configuration: Standard Model 1

#### LAN Ports to be Used

- For Public LANs (Center Switch Side)  
LAN0.0
- For Public LANs (L2 Switch Side)  
LAN0.1
- For the Admin LAN  
LAN0.3
- For Unit Synchronization  
LAN0.2

### 3Tier\_system\_firewall--IPCOMSC2

This is used for 3-tier models when using an IPCOM EX SC series as a firewall  
For systems that use an IPCOMEX2000A\_SC/2300\_SC

Adaptive model configuration: Standard Model 2

#### LAN Ports to be Used

- For Public LANs (Center Switch Side)

##### **bnd0: Redundant LAN Channels**

- LAN0.0
- LAN1.0

- For Public LANs (L2 Switch Side)

##### **bnd1: Redundant LAN Channels**

- LAN0.1
- LAN1.1

- For the Admin LAN

LAN0.3

- For Unit Synchronization

LAN1.3

### 3Tier\_system\_firewall--IPCOMSC3

This is used for 3-tier models when using an IPCOM EX SC series as a firewall  
For systems that use an IPCOMEX2500\_SC

Adaptive model configuration: Standard Model 3

#### LAN Ports to be Used

- For Public LANs (Center Switch Side)

##### **bnd0: Redundant LAN Channels**

- LAN0.0
- LAN1.0

- For Public LANs (L2 Switch Side)

##### **bnd1: Redundant LAN Channels**

- LAN0.1 and LAN0.2
- LAN1.1 and LAN1.2

Connection using link aggregation

- For the Admin LAN

LAN0.3

- For Unit Synchronization

LAN1.3

## For IPCOM EX IN

### 3Tier\_system\_firewall--IPCOMIN2

This is used for 3-tier models when using an IPCOM EX IN series as a firewall  
For systems that use an IPCOMEX2000A\_IN/2300\_IN

Adaptive model configuration: Standard Model 2

LAN Ports to be Used

- For Public LANs (Center Switch Side)

**bnd0: Redundant LAN Channels**

- LAN0.0
- LAN1.0

- For Public LANs (L2 Switch Side)

**bnd1: Redundant LAN Channels**

- LAN0.1
- LAN1.1

- For the Admin LAN

LAN0.3

- For Unit Synchronization

LAN1.3

3Tier\_system\_firewall--IPCOMIN3

This is used for 3-tier models when using an IPCOM EX IN series as a firewall  
For systems that use an IPCOMEX2500\_IN

Adaptive model configuration: Standard Model 3

LAN Ports to be Used

- For Public LANs (Center Switch Side)

**bnd0: Redundant LAN Channels**

- LAN0.0
- LAN1.0

- For Public LANs (L2 Switch Side)

**bnd1: Redundant LAN Channels**

- LAN0.1 and LAN0.2
- LAN1.1 and LAN1.2

Connection using link aggregation

- For the Admin LAN

LAN0.3

- For Unit Synchronization

LAN1.3

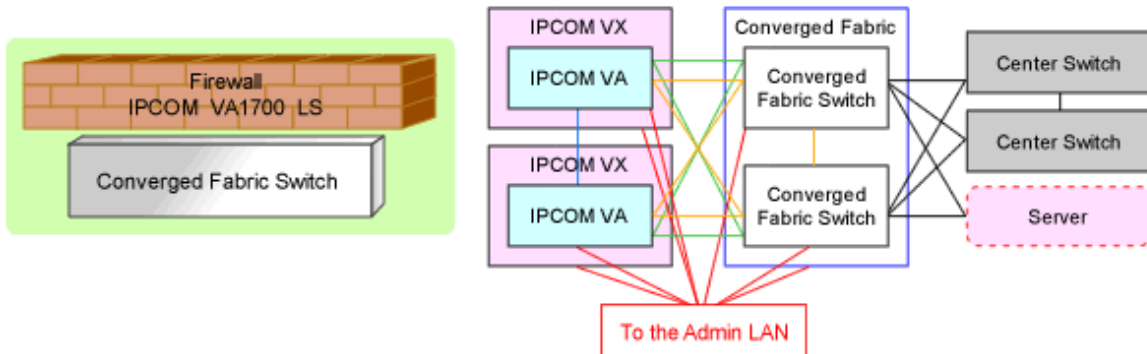
## G.3.4 For Deploying Firewalls (IPCOM VA Series)

---

The default model configuration assumed by a sample script is given below:

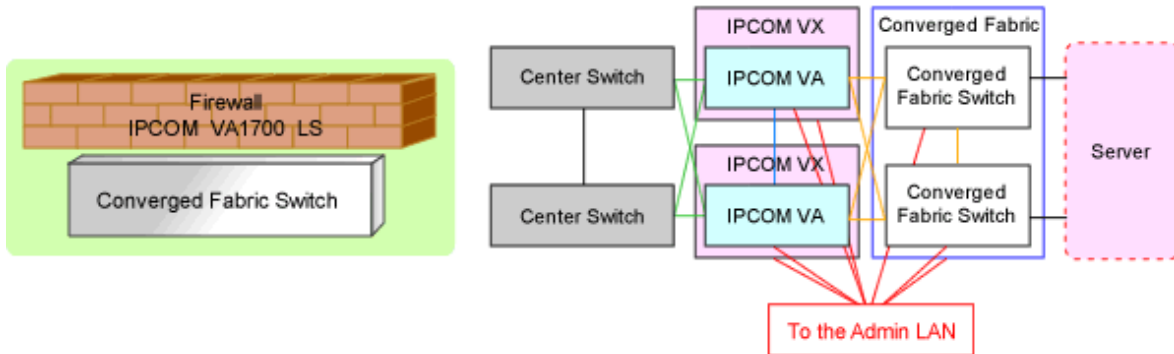
Figure G.3 Standard Model Configurations of Sample Scripts (IPCOM VA Series)

■ Standard Model 1 (When connecting IPCOM VX and center switches via a Converged Fabric)



\*: The center switch side of the IPCOM VX will use VLAN distribution mode (S-TAG) or MAC address distribution mode.  
The server side of the IPCOM VX will use VLAN distribution mode (S-TAG).

■ Standard Model 2 (When connecting IPCOM VX and center switches directly)



\*: The center switch side of the IPCOM VX will use MAC address distribution mode.  
The server side of the IPCOM VX will use VLAN distribution mode (S-TAG).

The names of the sample rulesets provided by Resource Orchestrator are listed below.

**For IPCOM VA LS**

**3Tier\_sys\_firewall--IPCOMVALS2**

This is used for 3-tier models when using an IPCOM VA LS series as a firewall  
For systems that use an IPCOMVA1700\_LS

Adaptive model configuration: All standard models

**LAN Ports to be Used**

- For Public LANs (Center Switch Side)

**bnd0: Redundant LAN Channels**

- LAN0.0
- LAN1.0

- For Public LAN (Servers)

**bnd1: Redundant LAN Channels**

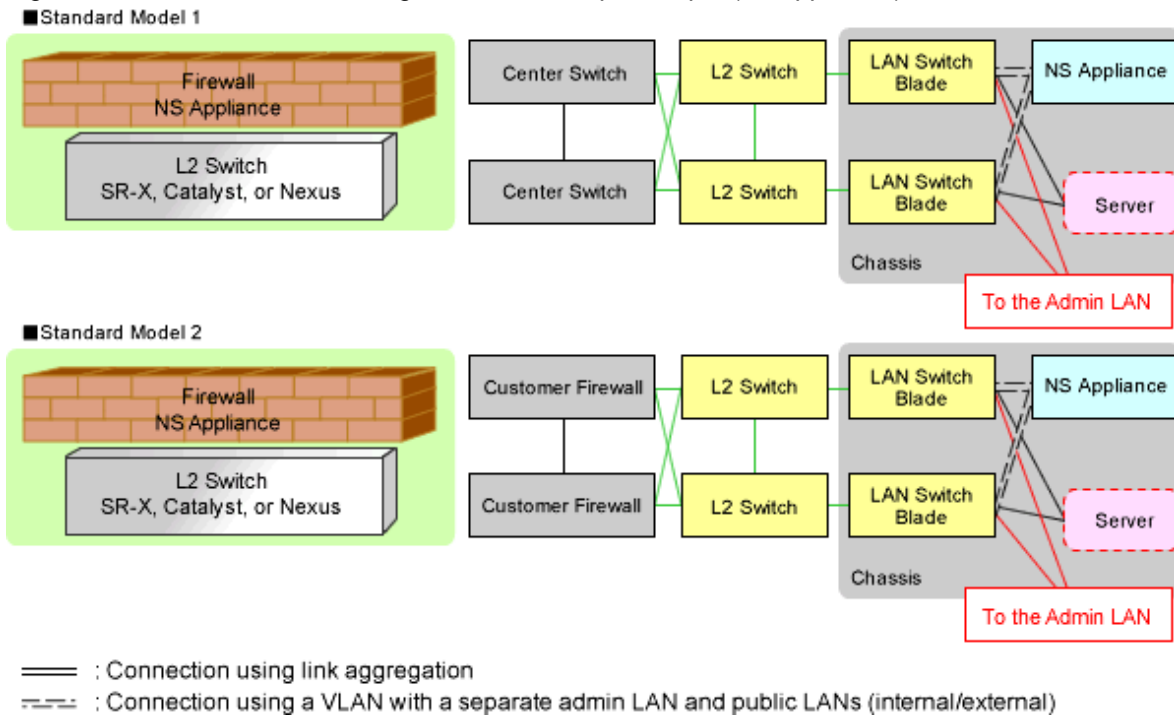
- LAN0.1
- LAN1.1

- For the Admin LAN  
LAN0.3
- For Unit Synchronization  
LAN1.3

### G.3.5 For Deploying Firewalls (NS Appliance)

The default model configuration assumed by a sample script is given below.

Figure G.4 Standard Model Configurations of Sample Scripts (NSAppliance)



The names of the sample rulesets provided by Resource Orchestrator are listed below.

#### For NS Appliance

FW\_of\_3Tier\_sys--NSAppliance1

For a system that uses NS Appliance with a 3-tier model

Adaptive model configuration: Standard Model 2

LAN Ports to be Used

- For Public LANs (Customer Firewall Side)  
LAN0.0



.....  
 It is necessary to configure the VLAN interface of the arbitrary VLAN ID for LAN0.0 beforehand.  
 .....

- For Public LANs (L2 Switch Side)  
LAN0.1

- For the Admin LAN  
LAN0.3

#### FW\_of\_3Tier\_sys--NSAppliance2

For a system that uses NS Appliance with a 3-tier model

Adaptive model configuration: Standard Model 1

LAN Ports to be Used

- For Public LANs (Center Switch Side)  
LAN0.0



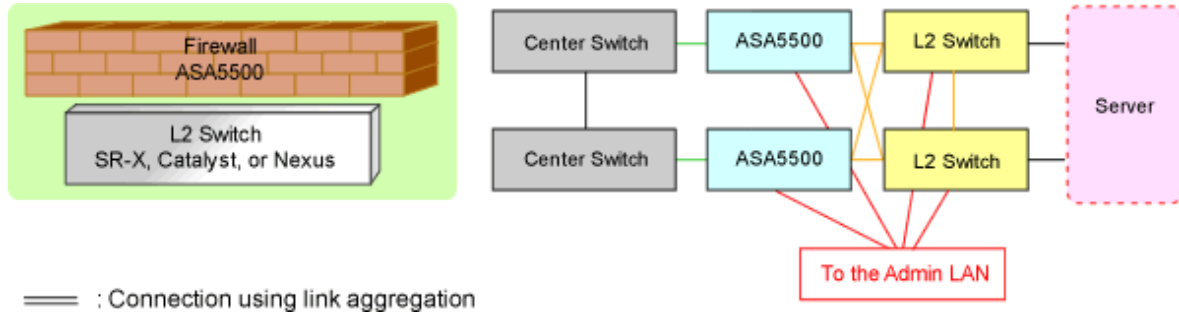
When using the sample scripts without making any changes, it is necessary to configure the VLAN interface of the VLAN ID for LAN0.0 as "100" beforehand.

- For Public LANs (L2 Switch Side)  
LAN0.1
- For the Admin LAN  
LAN0.3

## G.3.6 For Deploying Firewalls (ASA 5500 Series)

The default model configuration assumed by a sample script is given below.

Figure G.5 Standard Model Configurations of Sample Scripts (ASA 5500 Series)



The names of the sample rulesets provided by Resource Orchestrator are listed below.

### For ASA 5500

#### 3Tier\_system\_firewall--ASA1

For the systems that use ASA 5510 as an ASA 5500 series model for 3-tier models

LAN Ports to be Used

- For Public LANs (Center Switch Side)  
ethernet0/0

- For Public LANs (L2 Switch Side)

#### **redundant1: Redundant LAN Channels**

- ethernet0/1
- ethernet0/2

- For the Admin LAN  
management0/0
- For Unit Synchronization  
ethernet0/3

### 3Tier\_system\_firewall--ASA2

For the systems that use ASA 5520/5540/5550 as an ASA 5500 series model for 3-tier models

#### LAN Ports to be Used

- For Public LANs (Center Switch Side)  
gigabitethernet0/0
- For Public LANs (L2 Switch Side)

#### **redundant1: Redundant LAN Channels**

- gigabitethernet0/1
- gigabitethernet0/2
- For the Admin LAN  
management0/0
- For Unit Synchronization  
gigabitethernet0/3

### 3Tier\_system\_firewall--ASA3

For the systems that use ASA 5580 as an ASA 5500 series model for 3-tier models

#### LAN Ports to be Used

- For Public LANs (Center Switch Side)  
gigabitethernet3/0
- For Public LANs (L2 Switch Side)

#### **redundant1: Redundant LAN Channels**

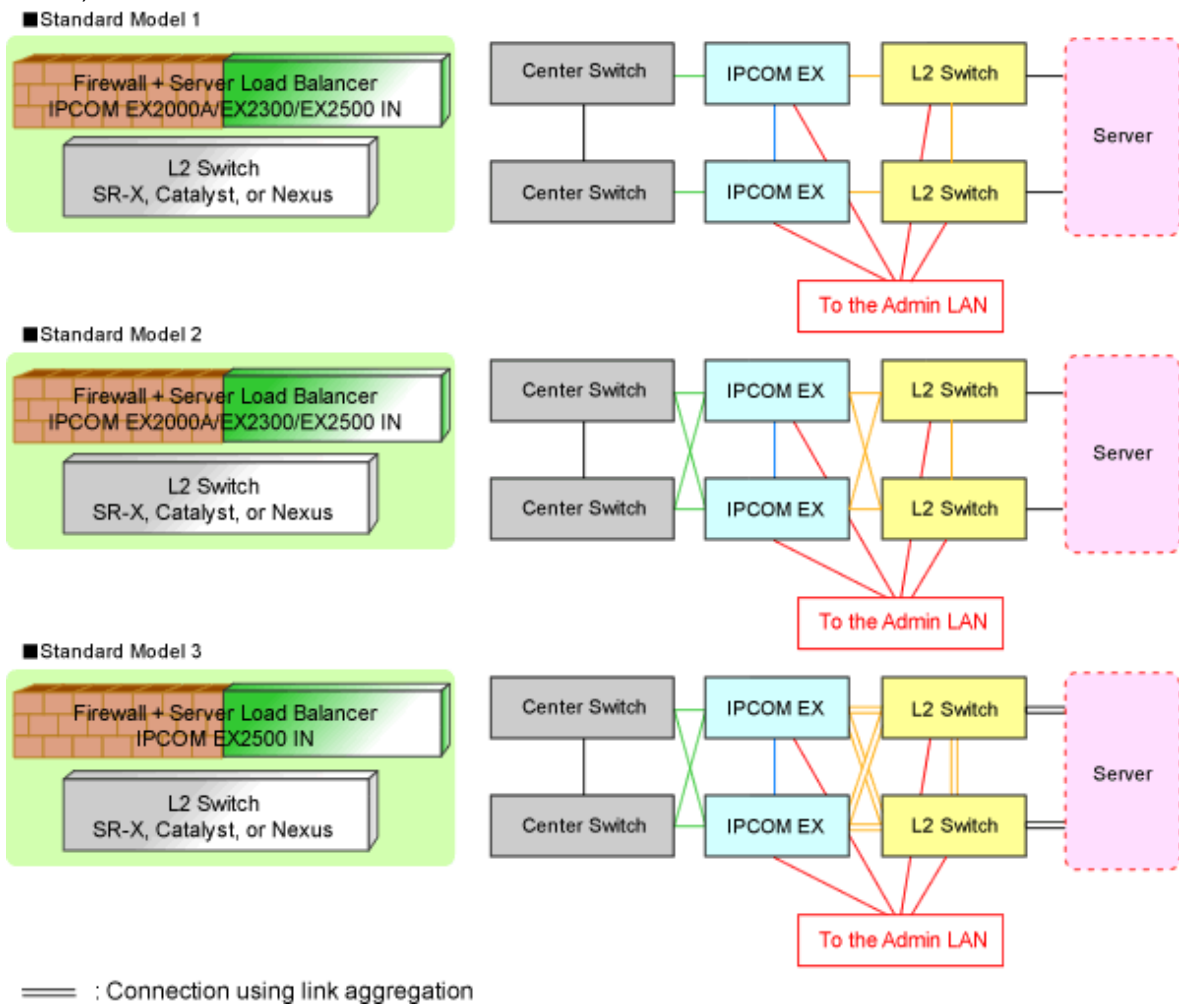
- gigabitethernet3/1
- gigabitethernet3/2
- For the Admin LAN  
management0/0
- For Unit Synchronization  
gigabitethernet3/3

## **G.3.7 For Deploying Firewalls and Server Load Balancers (IPCOM EX IN series)**

---

The default model configuration assumed by a sample script is given below.

Figure G.6 Standard Model Configurations of Sample Scripts (Firewall and Server Load Balancer: IPCOM EX IN Series)



When a single IPCOM EX IN series is used as both a firewall and server load balancer for 3-tier models in a system, firewall rulesets are used together with the server load balancer rulesets.

The names of the sample rulesets provided by Resource Orchestrator are listed below.

### For Deploying the IPCOM EX IN Series as Server Load Balancers

#### SLB\_with\_SSL-ACC--IPCOM1

For systems that use the IPCOM EX IN series for server load balancers (with an SSL accelerator).

Adaptive model configuration: All standard models

LAN Ports to be Used

The port is determined by the sample script (FW\_of\_3Tier\_sys\_inc\_SLB--IPCOM*n*).

#### SLB\_without\_SSL-ACC--IPCOM1

For systems that use the IPCOM EX IN series for server load balancers (without an SSL accelerator).

Adaptive model configuration: All standard models

LAN Ports to be Used

The port is determined by the sample script (FW\_of\_3Tier\_sys\_inc\_SLB--IPCOM*n*).

*n*: Number between 1 - 3



## For deploying the IPCOM EX IN series as firewalls

### FW\_of\_3Tier\_sys\_inc\_SLB--IPCOM1

For the systems that use IPCOMEX2000A\_IN/2300\_IN (Non-Redundant LAN Channels).

Adaptive model configuration: Standard Model 1

#### LAN Ports to be Used

- For Public LANs (Center Switch Side)

LAN0.0

- For Public LANs (L2 Switch Side)

LAN0.1

- For the Admin LAN

LAN0.3

- For Unit Synchronization

LAN0.2

### FW\_of\_3Tier\_sys\_inc\_SLB--IPCOM2

For the systems that use IPCOMEX2000A\_IN/2300\_IN Redundant LAN Channels).

Adaptive model configuration: Standard Model 2

#### LAN Ports to be Used

- For Public LANs (Center Switch Side)

##### **bnd0: Redundant LAN Channels**

- LAN0.0

- LAN1.0

- For Public LANs (L2 Switch Side)

##### **bnd1: Redundant LAN Channels**

- LAN0.1

- LAN1.1

- For the Admin LAN

LAN0.3

- For Unit Synchronization

LAN1.3

### FW\_of\_3Tier\_sys\_inc\_SLB--IPCOM3

For systems that use an IPCOMEX2500\_IN

Adaptive model configuration: Standard Model 3

#### LAN Ports to be Used

- For Public LANs (Center Switch Side)

##### **bnd0: Redundant LAN Channels**

- LAN0.0

- LAN1.0

- For Public LANs (L2 Switch Side)

**bnd1: Redundant LAN Channels**

- LAN0.1 and LAN0.2
- LAN1.1 and LAN1.2

Connection using link aggregation

- For the Admin LAN

LAN0.3

- For Unit Synchronization

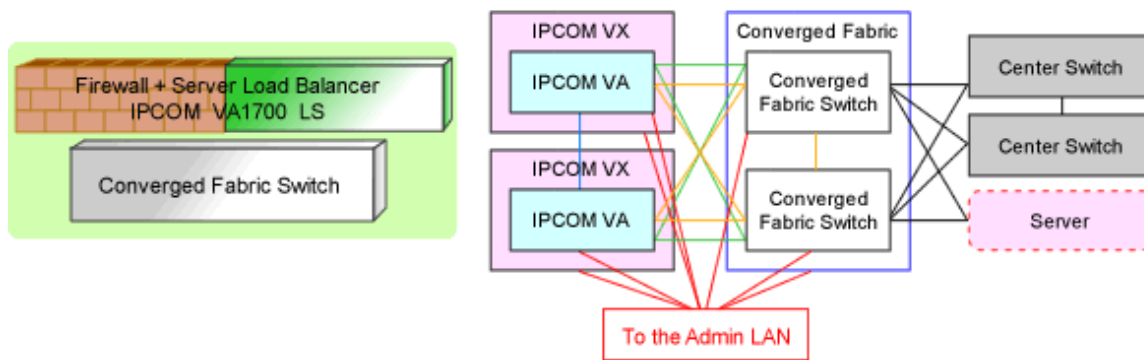
LAN1.3

## G.3.8 For Deployment of Firewalls and Server Load Balancers (for IPCOM VA LS series)

The default model configuration assumed by a sample script is given below.

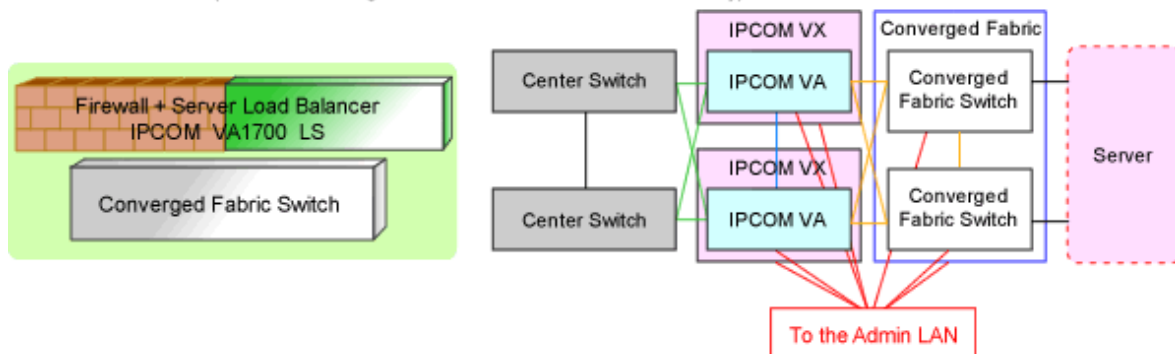
Figure G.7 Standard Model Configurations of Sample Scripts (Firewall and Server Load Balancer: IPCOM VA LS Series)

■ Standard Model 1 (When connecting IPCOM VX and center switches via a Converged Fabric)



\*: The center switch side of the IPCOM VX will use VLAN distribution mode (S-TAG) or MAC address distribution mode.  
The server side of the IPCOM VX will use VLAN distribution mode (S-TAG).

■ Standard Model 2 (When connecting IPCOM VX and center switches directly)



\*: The center switch side of the IPCOM VX will use MAC address distribution mode.  
The server side of the IPCOM VX will use VLAN distribution mode (S-TAG).

When a single IPCOM VA LS series is used as both a firewall and server load balancer for 3-tier models in a system, firewall rulesets are used together with the server load balancer rulesets.

The names of the sample rulesets provided by Resource Orchestrator are listed below.

### **For deploying the IPCOM VA LS series as server load balancers**

#### **SLB\_with\_SSL-ACC--IPCOMVALS1**

For systems that use the IPCOM VA LS series for server load balancers (with an SSL accelerator)

Adaptive model configuration: All standard models

LAN Ports to be Used

The port is determined by the sample script (Firewall\_inc\_SLB--IPCOMVALS2).

#### **SLB\_without\_SSL-ACC--IPCOMVALS1**

For systems that use the IPCOM VA LS series for server load balancers (without an SSL accelerator)

Adaptive model configuration: All standard models

LAN Ports to be Used

The port is determined by the sample script (Firewall\_inc\_SLB--IPCOMVALS2).

### **For deploying the IPCOM VA LS series as firewalls**

#### **firewall\_inc\_SLB--IPCOMVALS2**

For the systems that use IPCOMVA1700LS (Redundant LAN Channels)

Adaptive model configuration: All standard models

LAN Ports to be Used

- For Public LANs (Center Switch Side)

##### **bnd0: Redundant LAN Channels**

- LAN0.0
- LAN1.0

- For Public LAN (Servers)

##### **bnd1: Redundant LAN Channels**

- LAN0.1
- LAN1.1

- For the Admin LAN

LAN0.3

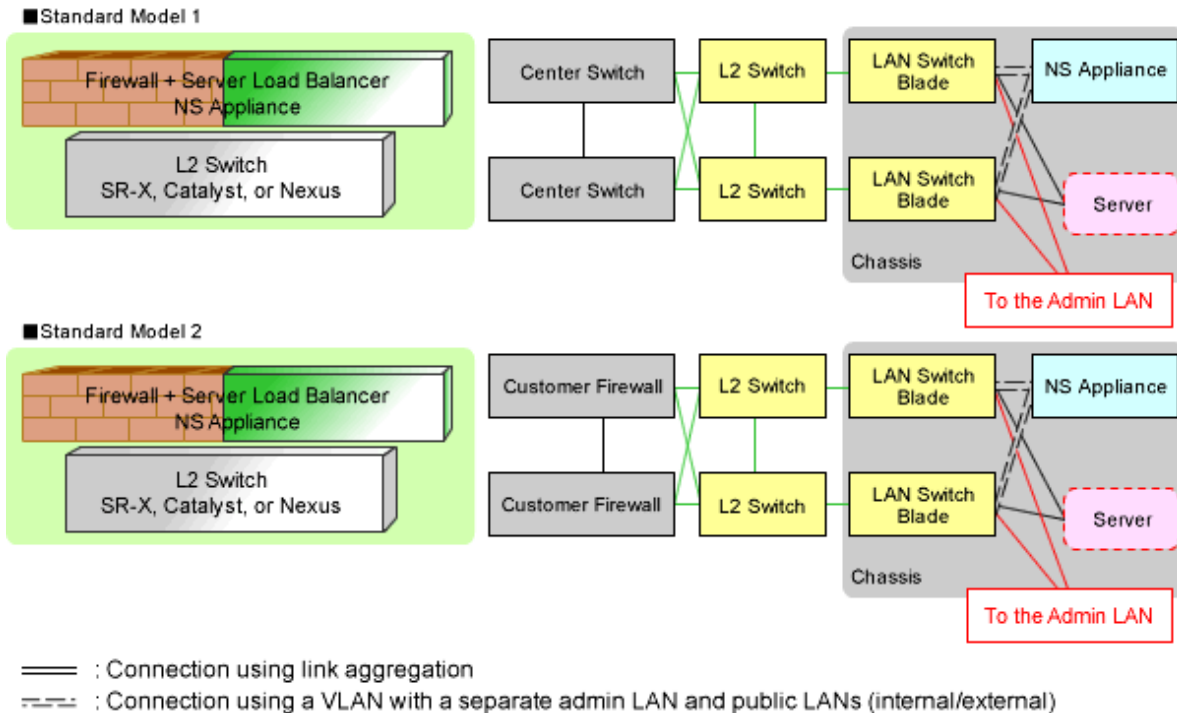
- For Unit Synchronization

LAN1.3

## **G.3.9 For Deploying Firewalls and Server Load Balancers (NS Appliance)**

The default model configuration assumed by a sample script is given below.

Figure G.8 Standard Model Configurations of Sample Scripts (Firewall and Server Load Balancer: NS Appliance)



When a single NS appliance is used as both a firewall and server load balancer for 3-tier models in a system, firewall rulesets are used together with the server load balancer rulesets.

The names of the sample rulesets provided by Resource Orchestrator are listed below.

### For deploying NS Appliances as server load balancers

#### SLB\_with\_SSL-ACC--NSApp1

For systems that use NS appliances as server load balancers (with an SSL accelerator)

Adaptive model configuration: All standard models

LAN Ports to be Used

The port is determined by the sample script (FW\_of\_sys\_inc\_SLB\_or\_not--NSApp*n*).

#### SLB\_without\_SSL-ACC--NSApp1

For systems that use NS appliances for server load balancers (without an SSL accelerator).

Adaptive model configuration: All standard models

LAN Ports to be Used

The port is determined by the sample script (FW\_of\_sys\_inc\_SLB\_or\_not--NSApp*n*).

*n*: Number between 1 - 2

### For deploying NS Appliances as firewalls

#### FW\_of\_sys\_inc\_SLB\_or\_not--NSApp1

For a system that uses NS appliance as a firewall with a 3-tier model

Adaptive model configuration: Standard Model 2

LAN Ports to be Used

- For Public LANs (Customer Firewall Side)

LAN0.0

**Point**

It is necessary to configure the VLAN interface of the arbitrary VLAN ID for LAN0.0 beforehand.

- For Public LANs (L2 Switch Side)

LAN0.1

- For the Admin LAN

LAN0.3

**FW\_of\_sys\_inc\_SLB\_or\_not--NSApp2**

For a system that uses NS appliance as a firewall with a 3-tier model

Adaptive model configuration: Standard Model 1

LAN Ports to be Used

- For Public LANs (Center Switch Side)

LAN0.0

**Point**

When using the sample scripts without making any changes, it is necessary to configure the VLAN interface of the VLAN ID for LAN0.0 as "100" beforehand.

- For Public LANs (L2 Switch Side)

LAN0.1

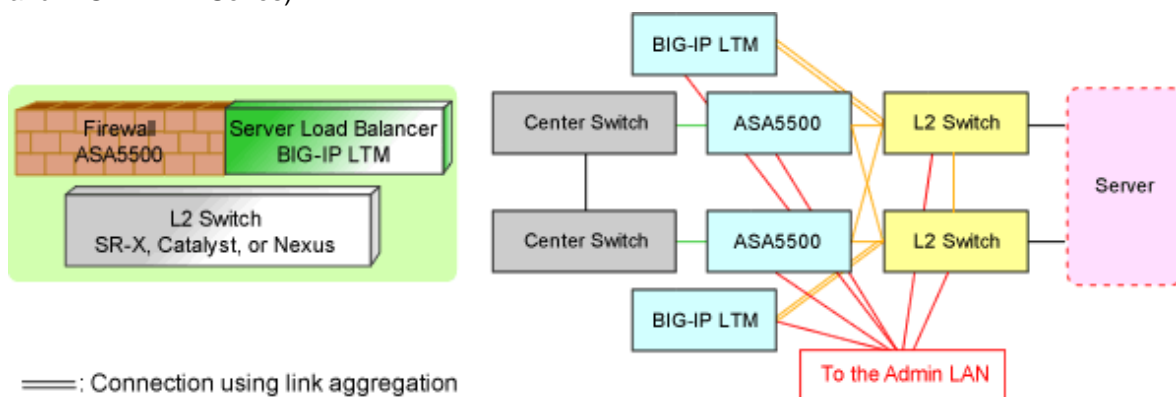
- For the Admin LAN

LAN0.3

### G.3.10 For Deploying Firewalls or Server Load Balancers (Combinations of ASA 5500 Series and BIG-IP LTM Series)

The default model configuration assumed by a sample script is given below.

Figure G.9 Default Model Configuration for a Sample Script (Firewall and Server Load Balancer: ASA 5500 Series and BIG-IP LTM Series)



When a combination of ASA 5500 series and BIG-IP LTM series are used as the firewall and server load balancer for 3-tier models in a system, the firewall rulesets are used together with the server load balancer rulesets.

The names of the sample rulesets provided by Resource Orchestrator are listed below.

### **For deploying the BIG-IP LTM series as server load balancers**

#### **SLB\_with\_SSL-ACC--BIGIP1**

For systems that use the BIG-IP LTM series as server load balancers (with an SSL accelerator)

LAN Ports to be Used

- For Public LANs and Unit Synchronization
  - mytrunk: Connection using Link aggregation**
  - 1.1
  - 1.2
- For the Admin LAN
  - mgmt

#### **SLB\_without\_SSL-ACC--BIGIP1**

For systems that use the BIG-IP LTM series for server load balancers (without SSL accelerator).

LAN Ports to be Used

- For Public LANs and Unit Synchronization
  - mytrunk: Connection using Link aggregation**
  - 1.1
  - 1.2
- For the Admin LAN
  - mgmt

### **For Deploying the ASA 5500 Series as Firewalls (for ASA 5500)**

#### **FW\_of\_3Tier\_sys\_inc\_SLB--ASA1**

For the systems that use ASA 5510 as an ASA 5500 series model for 3-tier models

LAN Ports to be Used

- For Public LANs (Center Switch Side)
  - ethernet0/0
- For Public LANs (L2 Switch Side)
  - redundant1: Redundant LAN Channels**
  - ethernet0/1
  - ethernet0/2
- For the Admin LAN
  - management0/0
- For Unit Synchronization
  - ethernet0/3

#### **FW\_of\_3Tier\_sys\_inc\_SLB--ASA2**

For the systems that use ASA 5520/5540/5550 as an ASA 5500 series model for 3-tier models

### LAN Ports to be Used

- For Public LANs (Center Switch Side)  
gigabitethernet0/0

- For Public LANs (L2 Switch Side)

#### **redundant1: Redundant LAN Channels**

- gigabitethernet0/1
- gigabitethernet0/2
- For the Admin LAN  
management0/0
- For Unit Synchronization  
gigabitethernet0/3

### FW\_of\_3Tier\_sys\_inc\_SLB--ASA3

For the systems that use ASA 5580 as an ASA 5500 series model for 3-tier models

### LAN Ports to be Used

- For Public LANs (Center Switch Side)  
gigabitethernet3/0

- For Public LANs (L2 Switch Side)

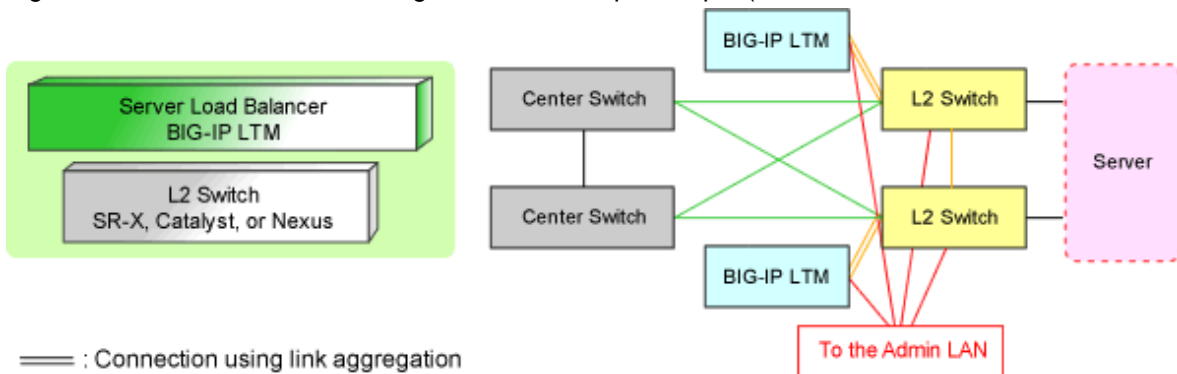
#### **redundant1: Redundant LAN Channels**

- gigabitethernet3/1
- gigabitethernet3/2
- For the Admin LAN  
management0/0
- For Unit Synchronization  
gigabitethernet3/3

## G.3.11 For Deploying Server Load Balancers (BIG-IP LTM Series)

The default model configuration assumed by a sample script is given below.

Figure G.10 Standard Model Configurations of Sample Scripts (Server Load Balancers:BIG-IP LTM Series)



The names of the sample rulesets provided by Resource Orchestrator are listed below.

### For the BIG-IP LTM series

SLB\_with\_SSL-ACC--BIGIP2

For systems that use the BIG-IP LTM series as server load balancers (with an SSL accelerator)

LAN Ports to be Used

- For Public LANs and Unit Synchronization

**mytrunk: Connection using Link aggregation**

- 1.1
- 1.2

- For the Admin LAN

mgmt

SLB\_without\_SSL-ACC--BIGIP2

For systems that use the BIG-IP LTM series for server load balancers (without SSL accelerator).

LAN Ports to be Used

- For Public LANs and Unit Synchronization

**mytrunk: Connection using Link aggregation**

- 1.1
- 1.2

- For the Admin LAN

mgmt

## G.3.12 For Deploying L2 Switches

Resource Orchestrator provides sample rulesets for the L2 switch used in the standard model in which firewalls and server load balancers are used. The sample ruleset names are shown below.

### For the SR-X 300 series

tag\_vlan\_net--SR-X300

tag\_vlan\_net--SR-X300\_n

For the systems with tagged VLAN networks configured

A tagged VLAN is set for a port using tag\_vlan\_port--SR-X300 or tag\_vlan\_port--SR-X300\_n.

Register this ruleset in the ruleset registration folder common to network devices.

Parameters requiring customization

The target of customizing is a parameter in all the related script lists.

The list of parameters that need to be customized is shown below.

Table G.3 List of Parameters Needing Customization: SR-X 300 Series Tagged VLAN Settings

| Parameter File | Details of Modification   | Ruleset Name                                     |
|----------------|---|--|
| node operand:  | Change this to the network device name of the L2 switch registered in Resource Orchestrator.  | tag_vlan_net--SR-X300<br>tag_vlan_net--SR-X300_n |
| %UP_PORT1%     | Change this to the physical port number connected to the firewall or the server load balancer.<br>When there are some physical ports connected to servers or server load balancers, modify the sample script. | tag_vlan_net--SR-X300                            |
|                | Change this to the physical port number connected to the "Active" side of the firewall or the server load balancer of the redundant configuration.  | tag_vlan_net--SR-X300_2                          |



|              |  |  |
|--------------|--|--|
|              | When there are some physical ports connected to servers or server load balancers, modify the sample script.  |  |
|              | Change this to the physical port number of the LAG connected to the "Active" side of the firewall or the server load balancer of the redundant configuration.<br>When there are some physical ports connected to servers or server load balancers, modify the sample script.   | tag_vlan_net--SR-X300_3                          |
| %UP_PORT2%   | Change this to the physical port number connected to the "Standby" side of the firewall or the server load balancer of the redundant configuration.<br>When there are some physical ports connected to servers or server load balancers, modify the sample script.   | tag_vlan_net--SR-X300_2                          |
|              | Change this to the physical port number of the LAG connected to the "Active" side of the firewall or the server load balancer of the redundant configuration. Note that this port number must not be the same as that of %UP_PORT1%.<br>When there are some physical ports connected to servers or server load balancers, modify the sample script.  | tag_vlan_net--SR-X300_3                          |
| %UP_PORT3%   | Change this to the physical port number of the LAG connected to the "Standby" side of the firewall or the server load balancer of the redundant configuration.<br>When there are some physical ports connected to servers or server load balancers, modify the sample script.  | tag_vlan_net--SR-X300_3                          |
| %UP_PORT4%   | Change this to the physical port number of the LAG connected to the "Standby" side of the firewall or the server load balancer of the redundant configuration. Note that this port number must not be the same as that of %UP_PORT3%.<br>When there are some physical ports connected to servers or server load balancers, modify the sample script. | tag_vlan_net--SR-X300_3                          |
| %DOWN_PORT1% | Change this to the number of the physical port connected to the server.<br>When there are multiple physical ports connected to servers, modify the sample script.  | tag_vlan_net--SR-X300<br>tag_vlan_net--SR-X300_2 |
|              | Change this to the physical port number of the LAG connected to the server.<br>When there are multiple LAGs connected to the server, modify the sample script.   | tag_vlan_net--SR-X300_3                          |
| %DOWN_PORT2% | Change this to the physical port number of the LAG connected to the server. Note that this port number must not be the same as that of %DOWN_PORT1%.<br>When there are multiple LAGs connected to the server, modify the sample script.  | tag_vlan_net--SR-X300_3                          |

tag\_vlan\_port--SR-X300  
tag\_vlan\_port--SR-X300\_n

For an SR-X 300 series that sets a tagged VLAN for the port connected to the firewall, the server load balancer, or the server Register this ruleset in the specific ruleset registration folder of the network device.

untag\_vlan\_net--SR-X300  
untag\_vlan\_net--SR-X300\_n

For the systems with untagged VLAN networks configured  
A port VLAN is set for a port by using untag\_vlan\_port--SR-X300 or untag\_vlan\_port--SR-X300\_n.  
Register this ruleset in the ruleset registration folder common to network devices.

## Parameters requiring customization

The target of customizing is a parameter in all the related script lists.

The list of parameters that need to be customized is shown below.

**Table G.4 List of Parameters Needing Customization: SR-X 300 Series Port VLAN Settings**

| Parameter File | Details of Modification  | Ruleset Name   |
|----------------|--|--|
| node operand:  | Change this to the network device name of the L2 switch registered in Resource Orchestrator.   | untag_vlan_net--SR-X300<br>untag_vlan_net--SR-X300_n |
| %UP_PORT1%     | Change this to the physical port number connected to the firewall or the server load balancer.<br>When there are some physical ports connected to servers or server load balancers, modify the sample script.  | untag_vlan_net--SR-X300                              |
|                | Change this to the physical port number connected to the "Active" side of the firewall or the server load balancer of the redundant configuration.<br>When there are some physical ports connected to servers or server load balancers, modify the sample script.  | untag_vlan_net--SR-X300_2                            |
|                | Change this to the physical port number of the LAG connected to the "Active" side of the firewall or the server load balancer of the redundant configuration.<br>When there are some physical ports connected to servers or server load balancers, modify the sample script.   | untag_vlan_net--SR-X300_3                            |
| %UP_PORT2%     | Change this to the physical port number connected to the "Standby" side of the firewall or the server load balancer of the redundant configuration.<br>When there are some physical ports connected to servers or server load balancers, modify the sample script.   | untag_vlan_net--SR-X300_2                            |
|                | Change this to the physical port number of the LAG connected to the "Active" side of the firewall or the server load balancer of the redundant configuration. Note that this port number must not be the same as that of %UP_PORT1%.<br>When there are some physical ports connected to servers or server load balancers, modify the sample script.  | untag_vlan_net--SR-X300_3                            |
| %UP_PORT3%     | Change this to the physical port number of the LAG connected to the "Standby" side of the firewall or the server load balancer of the redundant configuration.<br>When there are some physical ports connected to servers or server load balancers, modify the sample script.  | untag_vlan_net--SR-X300_3                            |
| %UP_PORT4%     | Change this to the physical port number of the LAG connected to the "Standby" side of the firewall or the server load balancer of the redundant configuration. Note that this port number must not be the same as that of %UP_PORT3%.<br>When there are some physical ports connected to servers or server load balancers, modify the sample script. | untag_vlan_net--SR-X300_3                            |
| %DOWN_PORT1%   | Change this to the number of the physical port connected to the server.<br>When there are multiple physical ports connected to servers, modify the sample script.  | untag_vlan_net--SR-X300<br>untag_vlan_net--SR-X300_2 |
|                | Change this to the physical port number of the LAG connected to the server.  | untag_vlan_net--SR-X300_3                            |

|              |   |                           |
|--------------|---|---------------------------|
|              | When there are multiple LAGs connected to the server, modify the sample script.   |                           |
| %DOWN_PORT2% | Change this to the physical port number of the LAG connected to the server. Note that this port number must not be the same as that of %DOWN_PORT1%.<br>When there are multiple LAGs connected to the server, modify the sample script. | untag_vlan_net--SR-X300_3 |

untag\_vlan\_port--SR-X300  
untag\_vlan\_port--SR-X300\_*n*

For an SR-X 300 series that sets a port VLAN for the port connected to the firewall, the server load balancer, or the server Register this ruleset in the specific ruleset registration folder of the network device.

*\_n*: Configuration differs depending on the number in *n*.

When *\_n* is not specified: LAN channels are in a non-redundant configuration

When *n* is "2": LAN channels are in a redundant configuration

When *n* is "3": LAN channels are in a redundant configuration using link aggregation

### For the SR-X 500 Series

tag\_vlan\_net--SR-X500  
tag\_vlan\_net--SR-X500\_*n*

For systems with tagged VLAN networks configured

A tagged VLAN is set for a port by using tag\_vlan\_port--SR-X500 or tag\_vlan\_port--SR-X500\_*n*.

Register this ruleset in the ruleset registration folder common to network devices.

#### Parameters requiring customization

The target of customizing is a parameter in all the related script lists.

The list of parameters that need to be customized is shown below.

Table G.5 List of Parameters Needing Customization: SR-X 500 Series Tagged VLAN Settings

| Parameter File | Details of Modification  | Ruleset Name   |
|----------------|--|--|
| node operand:  | Change this to the network device name of the L2 switch registered in Resource Orchestrator.   | tag_vlan_net--SR-X500<br>tag_vlan_net--SR-X500_ <i>n</i> |
| %UP_PORT1%     | Change this to the physical port number connected to the firewall or the server load balancer.<br>When there are some physical ports connected to servers or server load balancers, modify the sample script.  | tag_vlan_net--SR-X500                                    |
|                | Change this to the physical port number connected to the "Active" side of the firewall or the server load balancer of the redundant configuration.<br>When there are some physical ports connected to servers or server load balancers, modify the sample script.            | tag_vlan_net--SR-X500_2                                  |
|                | Change this to the physical port number of the LAG connected to the "Active" side of the firewall or the server load balancer of the redundant configuration.<br>When there are some physical ports connected to servers or server load balancers, modify the sample script. | tag_vlan_net--SR-X500_3                                  |
| %UP_PORT2%     | Change this to the physical port number connected to the "Standby" side of the firewall or the server load balancer of the redundant configuration.<br>When there are some physical ports connected to servers or server load balancers, modify the sample script.           | tag_vlan_net--SR-X500_2                                  |

|              |   |  |
|--------------|---|--|
|              | Change this to the physical port number of the LAG connected to the "Active" side of the firewall or the server load balancer of the redundant configuration. Note that this port number must not be the same as that of %UP_PORT1%. When there are some physical ports connected to servers or server load balancers, modify the sample script.  | tag_vlan_net--SR-X500_3                          |
| %UP_PORT3%   | Change this to the physical port number of the LAG connected to the "Standby" side of the firewall or the server load balancer of the redundant configuration. When there are some physical ports connected to servers or server load balancers, modify the sample script.  | tag_vlan_net--SR-X500_3                          |
| %UP_PORT4%   | Change this to the physical port number of the LAG connected to the "Standby" side of the firewall or the server load balancer of the redundant configuration. Note that this port number must not be the same as that of %UP_PORT3%. When there are some physical ports connected to servers or server load balancers, modify the sample script. | tag_vlan_net--SR-X500_3                          |
| %DOWN_PORT1% | Change this to the number of the physical port connected to the server. When there are multiple physical ports connected to servers, modify the sample script.  | tag_vlan_net--SR-X500<br>tag_vlan_net--SR-X500_2 |
|              | Change this to the physical port number of the LAG connected to the server. When there are multiple LAGs connected to the server, modify the sample script.   | tag_vlan_net--SR-X500_3                          |
| %DOWN_PORT2% | Change this to the physical port number of the LAG connected to the server. Note that this port number must not be the same as that of %DOWN_PORT1%. When there are multiple LAGs connected to the server, modify the sample script.  | tag_vlan_net--SR-X500_3                          |

tag\_vlan\_port--SR-X500  
tag\_vlan\_port--SR-X500\_n

For an SR-X 500 series that sets a tagged VLAN for the port connected to the firewall, the server load balancer, or the server Register this ruleset in the specific ruleset registration folder of the network device.

untag\_vlan\_net--SR-X500  
untag\_vlan\_net--SR-X500\_n

For the systems with untagged VLAN networks configured  
A port VLAN is set for a port by using untag\_vlan\_port--SR-X500 or untag\_vlan\_port--SR-X500\_n.  
Register this ruleset in the ruleset registration folder common to network devices.

#### Parameters requiring customization

The target of customizing is a parameter in all the related script lists.  
The list of parameters that need to be customized is shown below.

**Table G.6 List of Parameters Needing Customization: SR-X 500 Series Port VLAN Settings**

| Parameter File | Details of Modification  | Ruleset Name   |
|----------------|--|--|
| node operand:  | Change this to the network device name of the L2 switch registered in Resource Orchestrator.   | untag_vlan_net--SR-X500<br>untag_vlan_net--SR-X500_n |
| %UP_PORT1%     | Change this to the physical port number connected to the firewall or the server load balancer. | untag_vlan_net--SR-X500                              |

|              |  |  |
|--------------|--|--|
|              | When there are some physical ports connected to servers or server load balancers, modify the sample script.  |  |
|              | Change this to the physical port number connected to the "Active" side of the firewall or the server load balancer of the redundant configuration.<br>When there are some physical ports connected to servers or server load balancers, modify the sample script.  | untag_vlan_net--SR-X500_2                            |
|              | Change this to the physical port number of the LAG connected to the "Active" side of the firewall or the server load balancer of the redundant configuration.<br>When there are some physical ports connected to servers or server load balancers, modify the sample script.   | untag_vlan_net--SR-X500_3                            |
| %UP_PORT2%   | Change this to the physical port number connected to the "Standby" side of the firewall or the server load balancer of the redundant configuration.<br>When there are some physical ports connected to servers or server load balancers, modify the sample script.   | untag_vlan_net--SR-X500_2                            |
|              | Change this to the physical port number of the LAG connected to the "Active" side of the firewall or the server load balancer of the redundant configuration. Note that this port number must not be the same as that of %UP_PORT1%.<br>When there are some physical ports connected to servers or server load balancers, modify the sample script.  | untag_vlan_net--SR-X500_3                            |
| %UP_PORT3%   | Change this to the physical port number of the LAG connected to the "Standby" side of the firewall or the server load balancer of the redundant configuration.<br>When there are some physical ports connected to servers or server load balancers, modify the sample script.  | untag_vlan_net--SR-X500_3                            |
| %UP_PORT4%   | Change this to the physical port number of the LAG connected to the "Standby" side of the firewall or the server load balancer of the redundant configuration. Note that this port number must not be the same as that of %UP_PORT3%.<br>When there are some physical ports connected to servers or server load balancers, modify the sample script. | untag_vlan_net--SR-X500_3                            |
| %DOWN_PORT1% | Change this to the number of the physical port connected to the server.<br>When there are multiple physical ports connected to servers, modify the sample script.  | untag_vlan_net--SR-X500<br>untag_vlan_net--SR-X500_2 |
|              | Change this to the physical port number of the LAG connected to the server.<br>When there are multiple LAGs connected to the server, modify the sample script.   | untag_vlan_net--SR-X500_3                            |
| %DOWN_PORT2% | Change this to the physical port number of the LAG connected to the server. Note that this port number must not be the same as that of %DOWN_PORT1%.<br>When there are multiple LAGs connected to the server, modify the sample script.  | untag_vlan_net--SR-X500_3                            |

untag\_vlan\_port--SR-X500

untag\_vlan\_port--SR-X500\_n

For an SR-X 500 series that sets a port VLAN for the port connected to the firewall, the server load balancer, or the server Register this ruleset in the specific ruleset registration folder of the network device.

*\_n*: Configuration differs depending on the number in *n*.

When *\_n* is not specified: LAN channels are in a non-redundant configuration

When *n* is "2": LAN channels are in a redundant configuration

When *n* is "3": LAN channels are in a redundant configuration using link aggregation

## For the Catalyst series

tag\_vlan\_net--Catalyst

tag\_vlan\_net--Catalyst*n*

For the systems with tagged VLAN networks configured

A tagged VLAN is set for a port by using tag\_vlan\_port--Catalyst or tag\_vlan\_port--Catalyst*n*.

Register this ruleset in the ruleset registration folder common to network devices.

### Parameters requiring customization

The target of customizing is a parameter in all the related script lists.

The list of parameters that need to be customized is shown below.

**Table G.7 List of Parameters Needing Customization: Catalyst Series Tagged VLAN Settings**

| Parameter File | Details of Modification  | Ruleset Name  |
|----------------|--|---|
| node operand:  | Change this to the network device name of the L2 switch registered in Resource Orchestrator.   | tag_vlan_net--Catalyst<br>tag_vlan_net--Catalyst <i>n</i> |
| %UP_PORT1%     | Change this to the physical interface name connected to the firewall or the server load balancer.<br>When there are multiple physical interfaces connected to servers or server load balancers, modify the sample script.  | tag_vlan_net--Catalyst                                    |
|                | Change this to the name of the physical interface connected to the "Active" side of the firewall or the server load balancer of the redundant configuration.<br>When there are multiple physical interfaces connected to servers or server load balancers, modify the sample script.             | tag_vlan_net--Catalyst2                                   |
|                | Change this to the name of the physical interface of the LAG connected to the "Active" side of the firewall or the server load balancer of the redundant configuration.<br>When there are multiple physical interfaces connected to servers or server load balancers, modify the sample script.  | tag_vlan_net--Catalyst3                                   |
| %UP_PORT2%     | Change this to the name of the physical interface connected to the "Standby" side of the firewall or the server load balancer of the redundant configuration.<br>When there are multiple physical interfaces connected to servers or server load balancers, modify the sample script.            | tag_vlan_net--Catalyst2                                   |
|                | Change this to the name of the physical interface of the LAG connected to the "Standby" side of the firewall or the server load balancer of the redundant configuration.<br>When there are multiple physical interfaces connected to servers or server load balancers, modify the sample script. | tag_vlan_net--Catalyst3                                   |
| %DOWN_PORT1%   | Change this to the name of the physical interface connected to the server.<br>When there are multiple physical interfaces connected to servers, modify the sample script.  | tag_vlan_net--Catalyst<br>tag_vlan_net--Catalyst2         |
|                | Change this to the name of the physical interface of the LAG connected to the server.  | tag_vlan_net--Catalyst3                                   |

|  |   |  |
|--|---|--|
|  | When there are multiple LAGs connected to the server, modify the sample script. |  |
|--|---|--|

tag\_vlan\_port--Catalyst  
tag\_vlan\_port--Catalystn

For a Catalyst series that sets a tagged VLAN for the port connected to the firewall, the server load balancer, or the server Register this ruleset in the specific ruleset registration folder of the network device.

untag\_vlan\_net--Catalyst  
untag\_vlan\_net--Catalystn

For the systems with untagged VLAN networks configured  
A port VLAN is set for a port by using untag\_vlan\_port--Catalyst or untag\_vlan\_port--Catalystn.  
Register this ruleset in the ruleset registration folder common to network devices.

Parameters requiring customization

The target of customizing is a parameter in all the related script lists.  
The list of parameters that need to be customized is shown below.

Table G.8 List of Parameters Needing Customization: Catalyst Series Port VLAN Settings

| Parameter File | Details of Modification   | Ruleset Name  |
|----------------|---|---|
| node operand:  | Change this to the network device name of the L2 switch registered in Resource Orchestrator.  | untag_vlan_net--Catalyst<br>untag_vlan_net--Catalystn |
| %UP_PORT1%     | Change this to the physical interface name connected to the firewall or the server load balancer.<br>When there are multiple physical interfaces connected to servers or server load balancers, modify the sample script.   | untag_vlan_net--Catalyst                              |
|                | Change this to the name of the physical interface connected to the "Active" side of the firewall or the server load balancer of the redundant configuration.<br>When there are multiple physical interfaces connected to servers or server load balancers, modify the sample script.            | untag_vlan_net--Catalyst2                             |
|                | Change this to the name of the physical interface of the LAG connected to the "Active" side of the firewall or the server load balancer of the redundant configuration.<br>When there are multiple physical interfaces connected to servers or server load balancers, modify the sample script. | untag_vlan_net--Catalyst3                             |
| %UP_PORT2%     | Change this to the name of the physical interface connected to the "Standby" side of the firewall or the server load balancer of the redundant configuration.<br>When there are multiple physical interfaces connected to servers or server load balancers, modify the sample script.           | untag_vlan_net--Catalyst2                             |
|                | Change this to the name of the physical interface of the LAG connected to the "Active" side of the firewall or the server load balancer of the redundant configuration.<br>When there are multiple physical interfaces connected to servers or server load balancers, modify the sample script. | untag_vlan_net--Catalyst3                             |
| %DOWN_PORT1%   | Change this to the name of the physical interface connected to the server.<br>When there are multiple physical interfaces connected to servers, modify the sample script.   | untag_vlan_net--Catalyst<br>untag_vlan_net--Catalyst2 |
|                | Change this to the name of the physical interface of the LAG connected to the server.   | untag_vlan_net--Catalyst3                             |

|  |   |  |
|--|---|--|
|  | When there are multiple LAGs connected to the server, modify the sample script. |  |
|--|---|--|

untag\_vlan\_port--Catalyst  
untag\_vlan\_port--Catalystn

For a Catalyst series that sets a port VLAN for the port connected to the firewall, the server load balancer, or the server Register this ruleset in the specific ruleset registration folder of the network device.

*\_n*: Configuration differs depending on the number in *n*.

When *\_n* is not specified: LAN channels are in a non-redundant configuration

When *n* is "2": LAN channels are in a redundant configuration

When *n* is "3": LAN channels are in a redundant configuration using link aggregation

### For the Nexus5000 series

Automatic configuration of Nexus 2000 series (except Nexus B22 Blade Fabric Extender) connected to Nexus 5000 series using a fabric interface is possible.

tag\_vlan\_net--Nexus5000  
tag\_vlan\_net--Nexus5000\_ *n*

For the systems with tagged VLAN networks configured

A tagged VLAN is set for a LAN port using tag\_vlan\_port-- Nexus5000 or tag\_vlan\_port-- Nexus5000\_ *n*.

Register this ruleset in the ruleset registration folder common to network devices.

#### Parameters requiring customization

The target of customizing is a parameter in all the related script lists.

The list of parameters that need to be customized is shown below.

Table G.9 List of Parameters Needing Customization: Nexus 5000 Series Tagged VLAN Settings

| Parameter File | Details of Modification   | Ruleset Name   |
|----------------|---|--|
| node operand:  | Change this to the network device name of the L2 switch registered in Resource Orchestrator.  | tag_vlan_net--Nexus5000<br>tag_vlan_net--Nexus5000_ <i>n</i> |
| %UP_PORT1%     | Change this to the physical interface name connected to the firewall or the server load balancer.<br>When there are multiple physical interfaces connected to servers or server load balancers, modify the sample script.   | tag_vlan_net--Nexus5000                                      |
|                | Change this to the name of the physical interface connected to the "Active" side of the firewall or the server load balancer of the redundant configuration.<br>When there are multiple physical interfaces connected to servers or server load balancers, modify the sample script.  | tag_vlan_net--Nexus5000_2                                    |
|                | Change this to the name of the logical interface of the link aggregation group (LAG) connected to the "Active" side of the firewall or the server load balancer of the redundant configuration.<br>However, when there are multiple LAG logical interfaces connected to a server or server load balancer, modify the sample script. | tag_vlan_net--Nexus5000_3                                    |
| %UP_PORT2%     | Change this to the name of the physical interface connected to the "Standby" side of the firewall or the server load balancer of the redundant configuration.<br>When there are multiple physical interfaces connected to servers or server load balancers, modify the sample script.   | tag_vlan_net--Nexus5000_2                                    |



|              |  |  |
|--------------|--|--|
|              | Change this to the name of the logical interface of the link aggregation group (LAG) connected to the "Standby" side of the firewall or the server load balancer of the redundant configuration.<br>However, when there are multiple LAG logical interfaces connected to a server or server load balancer, modify the sample script. | tag_vlan_net--Nexus5000_3                            |
| %DOWN_PORT1% | Change this to the name of the physical interface connected to the server.<br>When there are multiple physical interfaces connected to servers, modify the sample script.  | tag_vlan_net--Nexus5000<br>tag_vlan_net--Nexus5000_2 |
|              | Change the logical interface name of the LAG connected to the server.<br>When there are multiple LAG logical interfaces connected to a server, modify the sample script.   | tag_vlan_net--Nexus5000_3                            |

When configuring a Nexus 2000 (excluding Nexus B22 Blade Fabric Extender) connected to a Nexus 5000 with fabric interface, set the physical interface name of the Nexus 2000 for the above parameter.

tag\_vlan\_port--Nexus5000  
tag\_vlan\_port--Nexus5000\_n

For a Nexus 5000 with a tagged VLAN configured for the port connected to the firewall, server load balancer, or server Register this ruleset in the specific ruleset registration folder of the network device.

untag\_vlan\_net--Nexus5000  
untag\_vlan\_net--Nexus5000\_n

For the systems with untagged VLAN networks configured  
A port VLAN is set for a port using untag\_vlan\_port-Nexus5000 or untag\_vlan\_port-Nexus5000\_n.  
Register this ruleset in the ruleset registration folder common to network devices.

#### Parameters requiring customization

The target of customizing is a parameter in all the related script lists.  
The list of parameters that need to be customized is shown below.

**Table G.10 List of Parameters Needing Customization: Nexus 5000 Series Port VLAN Settings**

| Parameter File | Details of Modification  | Ruleset Name   |
|----------------|--|--|
| node operand:  | Change this to the network device name of the L2 switch registered in Resource Orchestrator.   | untag_vlan_net--Nexus5000<br>untag_vlan_net--Nexus5000_n |
| %UP_PORT1%     | Change this to the physical interface name connected to the firewall or the server load balancer.<br>When there are multiple physical interfaces connected to servers or server load balancers, modify the sample script.  | untag_vlan_net--Nexus5000                                |
|                | Change this to the name of the physical interface connected to the "Active" side of the firewall or the server load balancer of the redundant configuration.<br>When there are multiple physical interfaces connected to servers or server load balancers, modify the sample script. | untag_vlan_net--Nexus5000_2                              |
|                | Change this to the name of the logical interface of the link aggregation group (LAG) connected to the "Active" side of the firewall or the server load balancer of the redundant configuration.<br>However, when there are multiple LAG logical                                      | untag_vlan_net--Nexus5000_3                              |

|              |   |  |
|--------------|---|--|
|              | interfaces connected to a server or server load balancer, modify the sample script.   |  |
| %UP_PORT2%   | Change this to the name of the physical interface connected to the "Standby" side of the firewall or the server load balancer of the redundant configuration. When there are multiple physical interfaces connected to servers or server load balancers, modify the sample script.  | untag_vlan_net--Nexus5000_2                              |
|              | Change this to the name of the logical interface of the link aggregation group (LAG) connected to the "Standby" side of the firewall or the server load balancer of the redundant configuration. However, when there are multiple LAG logical interfaces connected to a server or server load balancer, modify the sample script. | untag_vlan_net--Nexus5000_3                              |
| %DOWN_PORT1% | Change this to the name of the physical interface connected to the server. When there are multiple physical interfaces connected to servers, modify the sample script.  | untag_vlan_net--Nexus5000<br>untag_vlan_net--Nexus5000_2 |
|              | Change the logical interface name of the LAG connected to the server. When there are multiple LAG logical interfaces connected to a server, modify the sample script.   | untag_vlan_net--Nexus5000_3                              |

When configuring a Nexus 2000 (excluding Nexus B22 Blade Fabric Extender) connected to a Nexus 5000 with fabric interface, set the physical interface name of the Nexus 2000 for the above parameter.

untag\_vlan\_port--Nexus5000  
untag\_vlan\_port--Nexus5000\_*n*

For a Nexus 5000 with a port VLAN configured for the port connected to the firewall, server load balancer, or server Register this ruleset in the specific ruleset registration folder of the network device.

*\_n*: Configuration differs depending on the number in *n*.

When *\_n* is not specified: LAN channels are in a non-redundant configuration

When *n* is "2": LAN channels are in a redundant configuration

When *n* is "3": LAN channels are in a redundant configuration using link aggregation

### G.3.13 Conditions of Using Sample Scripts

When using sample scripts, configure the target devices in advance according to "9.2.3.3 Settings for Automatically Configured Devices". The conditions on using sample scripts of each type are as follows:

- For Deploying Firewalls (IPCOM EX Series)
  - Up to 99 L-Platforms can be created.
- For Deploying Firewalls (IPCOM VA Series)
  - Up to 99 L-Platforms can be created.
- For Deploying Firewalls (NS Appliance)
  - Up to 99 L-Platforms can be created.
- For Deploying Firewalls (ASA 5500 Series)
  - Up to 99 L-Platforms can be created.

- For Deploying Firewalls and Server Load Balancers (IPCOM EX IN series)
  - Up to 99 L-Platforms can be created.
  - A single IPCOM EX IN series can cope with up to 999 server load balancers of an L-Platform.
  - It is not possible to make the same server the target of load balancing on more than one L-Platform. (Whether configuration will be successful depends on the design of the target device)
- For Deployment of Firewalls and Server Load Balancers (for IPCOM VA LS series)
  - Up to 99 L-Platforms can be created.
  - A single IPCOM VA LS series can cope with up to 999 server load balancers of an L-Platform.
  - It is not possible to make the same server the target of load balancing on more than one L-Platform. (Whether configuration will be successful depends on the design of the target device)
- For Deploying Firewalls and Server Load Balancers (NS Appliance)
  - Up to 99 L-Platforms can be created.
  - A single NS appliance can cope with up to 999 server load balancers of an L-Platform.
  - It is not possible to make the same server the target of load balancing on more than one L-Platform. (Whether configuration will be successful depends on the design of the target device)
- For Deploying Firewalls or Server Load Balancers (Combinations of ASA 5500 Series and BIG-IP LTM Series)
  - Up to 99 L-Platforms can be created.
  - A single BIG-IP LTM series can cope with up to 999 server load balancers of an L-Platform.
  - It is not possible to make the same server the target of load balancing on more than one L-Platform. (Whether configuration will be successful depends on the design of the target device)
- For Deploying Server Load Balancers (for the BIG-IP LTM series)
  - A single BIG-IP LTM series can cope with up to 999 server load balancers of an L-Platform.
  - It is not possible to make the same server the target of load balancing on more than one L-Platform. (Whether configuration will be successful depends on the design of the target device)
- For Deploying L2 Switches
  - There is no limit

## G.4 Sample Scripts (For Operation)

A sample script for operations such as status display and operations of management resources for network devices is registered in the following folder.

[Windows Manager]

*Installation\_folder\SVROR\Manager\etc\scripts\original\vendor\_name\unit\_name\operations\ruleset\_name\*

[Linux Manager]

*/etc/opt/FJSVrcvmr/scripts/original/ vendor\_name/unit\_name/operations/ruleset\_name/*

The following table lists the unit names supported by the sample scripts provided by Resource Orchestrator:

**Table G.11 List of Units that offer Sample Scripts for Operations**

| Vendor  | Unit Name   | Type                 | Operation Details  |
|---------|-------------|----------------------|--|
| Fujitsu | IPCOMEXIN   | Server load balancer | - Instruction to perform load balancing for a server                             |
|         | IPCOMVALS   |                      | - Instruction to stop performing load balancing for a server                     |
|         | NSAppliance |                      | - Instruction to display the load balancing status of server load balancer rules |

| Vendor      | Unit Name  | Type | Operation Details   |
|-------------|------------|------|---|
|             |            |      | - Instruction to collect statistical information of the load balancing status of server load balancer rules   |
| F5 Networks | BIG-IP (*) |      | - Instruction to enable pool members<br>- Instruction to disable pool members<br>- Instruction to collect statistical information on virtual servers and the statuses of pool members |

\*: Device names of the BIG-IP LTM series are treated as being "BIG-IP".

### Information

When using the sample scripts provided by Resource Orchestrator, the protocols used for automatic configuration and network device names are as follows. Sample scripts use those protocols when connecting to network devices.

- With TELNET protocol
  - IPCOMEXIN
  - IPCOMVALS
  - NSAppliance
- With SSH protocol
  - BIG-IP

### Note

The sample scripts provided by Resource Orchestrator may be added or deleted when the software is updated. When using the sample scripts, confirm the directory on the admin server in which the sample scripts are registered beforehand.

## G.4.1 Preparations for Using Sample Scripts

This section explains the preparations for using sample scripts for automatic configuration of network devices.

- Make sure that "Folders for Registering RuleSets" are created. The names of these folders are "Vendor", "Unit name", and "ruleset name" of the sample scripts described in "[Table G.11 List of Units that offer Sample Scripts for Operations](#)". When necessary sample scripts are not registered, copy the sample scripts registered when installing this product.

## G.4.2 Prerequisites for Executing Sample Scripts for Operations

If you execute sample scripts for operations, they must meet all of the following conditions.

- The server load balancer is deployed using the sample script provided for deploying server load balancers
- Server load balancer rules have been configured for the server load balancer after deploying the L-Platform
- For the IPCOM EX IN series, IPCOM VA LS series, and BIG-IP LTM series of redundant configurations, devices in active status are not set to maintenance mode

## G.4.3 For Operation of Server Load Balancers

The names of sample ruleSets for operations provided in this product are shown below.

## **For Operation of IPCOM EX IN Series**

### **SLB\_server\_disable--IPCOM**

For systems that use the IPCOM EX IN series as server load balancers

#### **Operation Details**

Changes servers to maintenance mode and excludes them from load balancing.

### **SLB\_server\_enable--IPCOM**

For systems that use the IPCOM EX IN series as server load balancers

#### **Operation Details**

Releases servers from maintenance mode and includes them in load balancing.

### **SLB\_vserver\_status--IPCOM**

For systems that use the IPCOM EX IN series as server load balancers

#### **Operation Details**

Displays the status of load balancing in server load balancer rules.

### **SLB\_vserver\_statistics--IPCOM**

For systems that use the IPCOM EX IN series as server load balancers

#### **Operation Details**

Displays statistical information of load balancing in server load balancer rules.

## **For Operation of IPCOM VA LS Series**

### **SLB\_server\_disable--IPCOMVA**

For systems that use the IPCOM VA LS series as server load balancers

#### **Operation Details**

Changes servers to maintenance mode and excludes them from load balancing.

### **SLB\_server\_enable--IPCOMVA**

For systems that use the IPCOM VA LS series as server load balancers

#### **Operation Details**

Releases servers from maintenance mode and includes them in load balancing.

### **SLB\_vserver\_status--IPCOMVA**

For systems that use the IPCOM VA LS series as server load balancers

#### **Operation Details**

Displays the status of load balancing in server load balancer rules.

### **SLB\_vserver\_statistics--IPCOMVA**

For systems that use the IPCOM VA LS series as server load balancers

#### **Operation Details**

Displays statistical information of load balancing in server load balancer rules.

## **For Operation of NS Appliance**

### **SLB\_server\_disable--NSApp**

For systems that use NS Appliance as server load balancers

#### Operation Details

Changes servers to maintenance mode and excludes them from load balancing.

#### SLB\_server\_enable--NSApp

For systems that use NS Appliance as server load balancers

#### Operation Details

Releases servers from maintenance mode and includes them in load balancing.

#### SLB\_vserver\_status--NSApp

For systems that use NS Appliance as server load balancers

#### Operation Details

Displays the status of load balancing in server load balancer rules.

#### SLB\_vserver\_statistics--NSApp

For systems that use NS Appliance as server load balancers

#### Operation Details

Displays statistical information of load balancing in server load balancer rules.

### For operating the BIG-IP LTM series

#### SLB\_server\_disable--BIGIP

For systems that use the BIG-IP LTM series as server load balancers

#### Operation Details

Changes pool member (load-balanced servers) to disable status and excludes them from load balancing.

#### SLB\_server\_enable--BIGIP

For systems that use the BIG-IP LTM series as server load balancers

#### Operation Details

Changes pool members (load-balanced servers) to enable status and includes them in load balancing.

#### SLB\_vserver\_status--BIGIP

For systems that use the BIG-IP LTM series as server load balancers

#### Operation Details

Collects statistical information of virtual servers and the statuses of pool members.

## G.5 Sample Script Files

---

This section describes files related to the sample scripts.

### G.5.1 Script List Files

---

This section describes the script list files that are provided for each ruleset.

Table G.12 List of Script List Files Provided for each Ruleset

| Script List Type                             | File Name           |
|--|---------------------|
| Script lists for setup                       | create.lst          |
| Script lists for setup error recovery        | create_recovery.lst |
| Script list for modification                 | modify.lst          |
| Script lists for modification error recovery | modify_recovery.lst |

|   |                           |
|---|---------------------------|
| Script list for deletion                                      | delete.lst                |
| Script lists for setup (physical server added)                | connect.lst (*1)          |
| Script lists for setup error recovery (physical server added) | connect_recovery.lst (*1) |
| Script lists for deletion (physical server deleted)           | disconnect.lst (*1)       |
| Script lists for operations                                   | operate.lst (*2)          |

\*1: These files are only provided in the ruleset for deployment of L2 Switches.

\*2: These files are only provided in the ruleset for operation of server load balancers.

## G.5.2 Script Files

This section describes the script files that are provided for each ruleset.

Table G.13 List of Script Files Provided for each Ruleset

| Script Type   | File Name                    |
|---|------------------------------|
| Script for creation   | xxx_create.rb                |
| Script for setup error recovery   | xxx_create_recovery.rb       |
| Script for modification   | xxx_modify.rb                |
| Script for modification error recovery                                  | xxx_modify_recovery.rb       |
| Script for deletion   | xxx_delete.rb                |
| Script for creation of interface for adjoining server                   | xxx_connect.rb (*1)          |
| Script for setup (physical server added)                                | xxx_connect_recovery.rb (*1) |
| Script for setup error recovery (physical server added)                 | xxx_disconnect.rb (*1)       |
| Script definition   | xxx_params.rb                |
| Common method used by scripts   | xxx_common.rb                |
| Post-processing script after deletion script                            | xxx_clean.rb                 |
| Scripts for operations  | xxx_operate.rb (*2)          |
| Script for pre-processing before execution of scripts for operations    | xxx_pre_operate.rb (*2)      |
| Script for outputting results after execution of scripts for operations | xxx_output.rb (*2)           |
| Script for SSH connection   | unm_script_ssh2_comm.rb (*3) |

xxx: Character string that identifies L2 Switches, firewalls and server load balancers.

\*1: These files are only provided in the ruleset for deployment of L2 Switches.

\*2: These files are only provided in the ruleset for operation of server load balancers.

\*3: This file is only provided in the ruleset of BIG-IP LTM.



Each time the files for transferring information between scripts during script execution are updated, the common method used by scripts (xxx\_common.rb) backs up those files to the backup folder to prevent the following situation occurring.

- If the files for transferring information between scripts, such as between the script for configuration and the script for deletion, are corrupted due to failure of the admin server, subsequent script execution will fail.

The files that are backed up are used as the original files to recover user script resources when performing recovery of an L-Platform in cases where a failure occurs on the admin server. The backup folder can be configured using the following definition file:

### Storage Location of the Definition File

[Windows Manager]  
*Installation\_folder*\SVROR\Manager\etc\customize\_data\manager\_backup.rcxprop

[Linux Manager]  
 /etc/opt/FJSVrcvnr/customize\_data/manager\_backup.rcxprop

### Parameter Format of Definition Files

ruleset\_backup\_dir=*Storage folder*

#### *Storage folder*

Specify the name of the folder for storing backup files using an absolute path.  
 If this parameter is not specified, the following folder name is specified.

[Windows Manager]  
*Installation\_folder*\SVROR\Manager\var\lserver\_repair\ruleset\_backup

[Linux Manager]  
 /var/opt/FJSVrcvnr/lserver\_repair/ruleset\_backup

---

## G.5.3 Command Files

This section describes the command files that are provided for each ruleset.

### For Deploying L2 Switches

Command files that are provided for deployment of L2 Switches are shown below.

Table G.14 List of Command Files Provided by Ruleset (For Deployment of L2 Switches)

| Command File Type   | File Name                     |
|---|-------------------------------|
| For setup<br>Configuration definition command file<br>Definition reflection command file  | xxx_create_cmdn.cli           |
| For setup error recovery<br>Configuration definition command file<br>Definition reflection command file   | xxx_create_recovery_cmdn.cli  |
| For modification<br>Configuration definition command file<br>Definition reflection command file   | xxx_modify_cmdn.cli           |
| For modification error recovery<br>Configuration definition command file<br>Definition reflection command file  | xxx_modify_recovery_cmdn.cli  |
| For creation of interface for adjoining server<br>Configuration definition command file<br>Definition reflection command file                         | xxx_connect_cmdn.cli          |
| For error recovery of creation of an interface for an adjoining server<br>Configuration definition command file<br>Definition reflection command file | xxx_connect_recovery_cmdn.cli |
| For deleting an interface for an adjoining server<br>Configuration definition command file<br>Definition reflection command file                      | xxx_disconnect_cmdn.cli       |
| For deletion<br>Configuration definition command file<br>Definition reflection command file   | xxx_delete_cmdn.cli           |



xxx: Character string that identifies L2 Switches.

z: Serial numbers begin from 1. The file with the largest number is the command file for reflecting definitions.

### For deploying firewalls

Command files that are provided for deployment of firewalls are shown below.

Table G.15 List of Command Files Provided by Ruleset (For Deployment of Firewalls)

| Command File Type               |   | File Name                    |
|---------------------------------|---|------------------------------|
| For setup                       | Configuration definition command file<br>Definition reflection command file | yyy_create_cmdn.cli          |
| For setup error recovery        | Configuration definition command file<br>Definition reflection command file | yyy_create_recovery_cmdn.cli |
| For modification                | Configuration definition command file<br>Definition reflection command file | yyy_modify_cmdn.cli          |
| For modification error recovery | Configuration definition command file<br>Definition reflection command file | yyy_modify_recovery_cmdn.cli |
| For deletion                    | Configuration definition command file<br>Definition reflection command file | yyy_delete_cmdn.cli          |

yyy: Character String that identifies firewalls.

z: Serial numbers begin from 1. The file with the largest number is the command file for reflecting definitions.

### For deploying server load balancers

Command files that are provided for deployment of server load balancers are shown below.

Table G.16 List of Command Files Provided by Ruleset (For Deployment of Server Load Balancers "IPCOM EX IN/IPCOM VA LS/NS Appliance")

| Command File Type               |   | File Name                      |
|---------------------------------|---|--------------------------------|
| For modification                | Configuration definition command file<br>Definition reflection command file | ipcom_modify_cmdn.cli          |
| For modification error recovery | Configuration definition command file<br>Definition reflection command file | ipcom_modify_recovery_cmdn.cli |
| For deletion                    | Configuration definition command file<br>Definition reflection command file | ipcom_delete_cmdn.cli          |
| For operation                   | Command file  | ipcom_operate_cmdm.cli         |

z: Serial numbers begin from 1. The file with the largest number is the command file for reflecting definitions.

m: Serial numbers begin from 1.

Table G.17 List of Command Files Provided by Ruleset (For Deployment of Server Load Balancer "BIG-IP")

| Command File Type               |   | File Name                      |
|---------------------------------|---|--------------------------------|
| For setup                       | Configuration definition command file<br>Definition reflection command file | bigip_create_cmdn.cli          |
| For setup error recovery        | Configuration definition command file<br>Definition reflection command file | bigip_create_recovery_cmdn.cli |
| For modification                | Configuration definition command file<br>Definition reflection command file | bigip_modify_cmdn.cli          |
| For modification error recovery | Configuration definition command file<br>Definition reflection command file | bigip_modify_recovery_cmdn.cli |

|               |   |                                 |
|---------------|---|---------------------------------|
| For deletion  | Configuration definition command file<br>Definition reflection command file | bigip_delete_cmd <i>n</i> .cli  |
| For operation | Command file  | bigip_operate_cmd <i>m</i> .cli |

*n*: Serial numbers begin from 1. The file with the largest number is the command file for reflecting definitions.

*m*: Serial numbers begin from 1.

## Information

In the sample script, after logging in to the network device, but before executing any commands, the following operations are performed. Therefore, the commands described in command files are for after the following operations are executed.

- Transition of authority necessary to modify configuration definitions
- Disabling of inquiries to terminal control and command execution
- Transition to the edit mode for configuration definitions
- Loading of operating configuration definitions

## G.5.4 Interface Configuration Files

After installation, no values are configured in the interface configuration file provided in the sample scripts. When using sample scripts, it is necessary to configure the values, as the interface configuration file information is used for conversion of script variable information.

For details on the interface configuration file, refer to "15.17 Network Device Interface Configuration File" in the "Reference Guide (Command/XML) CE".

```
<?xml version="1.0" encoding="utf-8"?>
<UnmNetwork>
  <Networks>
    <Network name="">
      <NetworkDevices>
        <NetworkDevice name="">
          <Ipv4Addresses>
            <Ipv4Address address="" parameternumber="" />
          </Ipv4Addresses>
          <Vrid></Vrid>
        </NetworkDevice>
        <NetworkDevice name="">
          <Ipv4Addresses>
            <Ipv4Address address="" parameternumber="" />
          </Ipv4Addresses>
          <Vrid></Vrid>
        </NetworkDevice>
      </NetworkDevices>
    </Network>
  </Networks>
</UnmNetwork></UnmNetwork>
```

### Network Resource Name

```
<Network name="Network resource name">
```

Specify the network resources to use when deploying L-Platforms including firewalls or server load balancers. It is necessary to register all network resources which may be used.

### Network Device Name

Configure the following values, specifying the name of the network device registered in the ROR manager.

```
<NetworkDevice name = "Network device name">
```

Specify the name of the network device using the relevant network devices (firewall or server load balancer). For this information, it is necessary to register all network devices which may be used.

#### Information under the Network Device Name

When using sample scripts, configure the following values depending on the types of network devices.

- For firewall (IPCOM EX) rulesets

```
<IPv4Address address="Representative IPv4 address of the relevant network resource used on the relevant network device" parameternumber="1" />
<IPv4Address address="Primary IPv4 address of the relevant network resource used on the relevant network device" parameternumber="2" />
<IPv4Address address="Secondary IPv4 address of the relevant network resource used on the relevant network device" parameternumber="3" />
<Vrid>VRID of the relevant network resource used on the relevant network device</Vrid>
```

- For firewall (IPCOM VA) rulesets

```
<IPv4Address address="Representative IPv4 address of the relevant network resource used on the relevant network device" parameternumber="1" />
<IPv4Address address="Primary IPv4 address of the relevant network resource used on the relevant network device" parameternumber="2" />
<IPv4Address address="Secondary IPv4 address of the relevant network resource used on the relevant network device" parameternumber="3" />
<Vrid>VRID of the relevant network resource used on the relevant network device</Vrid>
```

- For firewall (NS Appliance) rulesets

```
<IPv4Address address="IPv4 address of the relevant network resource used on the relevant network device" parameternumber="1" />
```

- For firewall (ASA) rulesets

```
<IPv4Address address="Active IPv4 address of the relevant network resource used on the relevant network device" parameternumber="1" />
<IPv4Address address="Standby IPv4 address of the relevant network resource used on the relevant network device" parameternumber="2" />
```

- For server load balancer (BIG-IP) rulesets

```
<IPv4Address address="Floating IPv4 address of the relevant network resource used on the relevant network device" parameternumber="1" />
<IPv4Address address="Self IPv4 address of the relevant network resource used on the relevant network device" parameternumber="2" />
```

## G.5.5 Log Files of Sample Scripts

In order to enable checking of the progress of execution and the occurrence of errors in script, the sample script outputs the details of processes to a log file.

In sample scripts, the log file is output under the folder where the ruleset is stored, using the following file name.

When checking the content, copy the log file to an arbitrary user directory and then open the copied log file.

- Catalyst
  - "catalyst\_script\_admin IP address.log"
  - "catalyst\_telnet\_admin IP address.log"
- Nexus
  - "nexus\_script\_admin IP address.log"

- "nexus\_telnet\_admin IP address.log"
- SR-X
  - "srx\_script\_admin IP address.log"
  - "srx\_telnet\_admin IP address.log"
- IPCOM EX, IPCOM VA, and NSAppliance
  - "ipcom\_script\_admin IP address.log"
  - "ipcom\_telnet\_admin IP address.log"
- ASA 5500
  - "asa\_script\_admin IP address.log"
  - "asa\_telnet\_admin IP address.log"
- BIG-IP LTM
  - "bigip\_script\_admin IP address.log"
  - "bigip\_ssh\_admin IP address.log"

# Appendix H Ethernet Fabric Devices

This appendix explains the method for managing Ethernet fabric devices in Resource Orchestrator.

## H.1 Fujitsu PRIMERGY Converged Fabric Switch Blade (10 Gbps 18/8+2) and Fujitsu Converged Fabric Switch

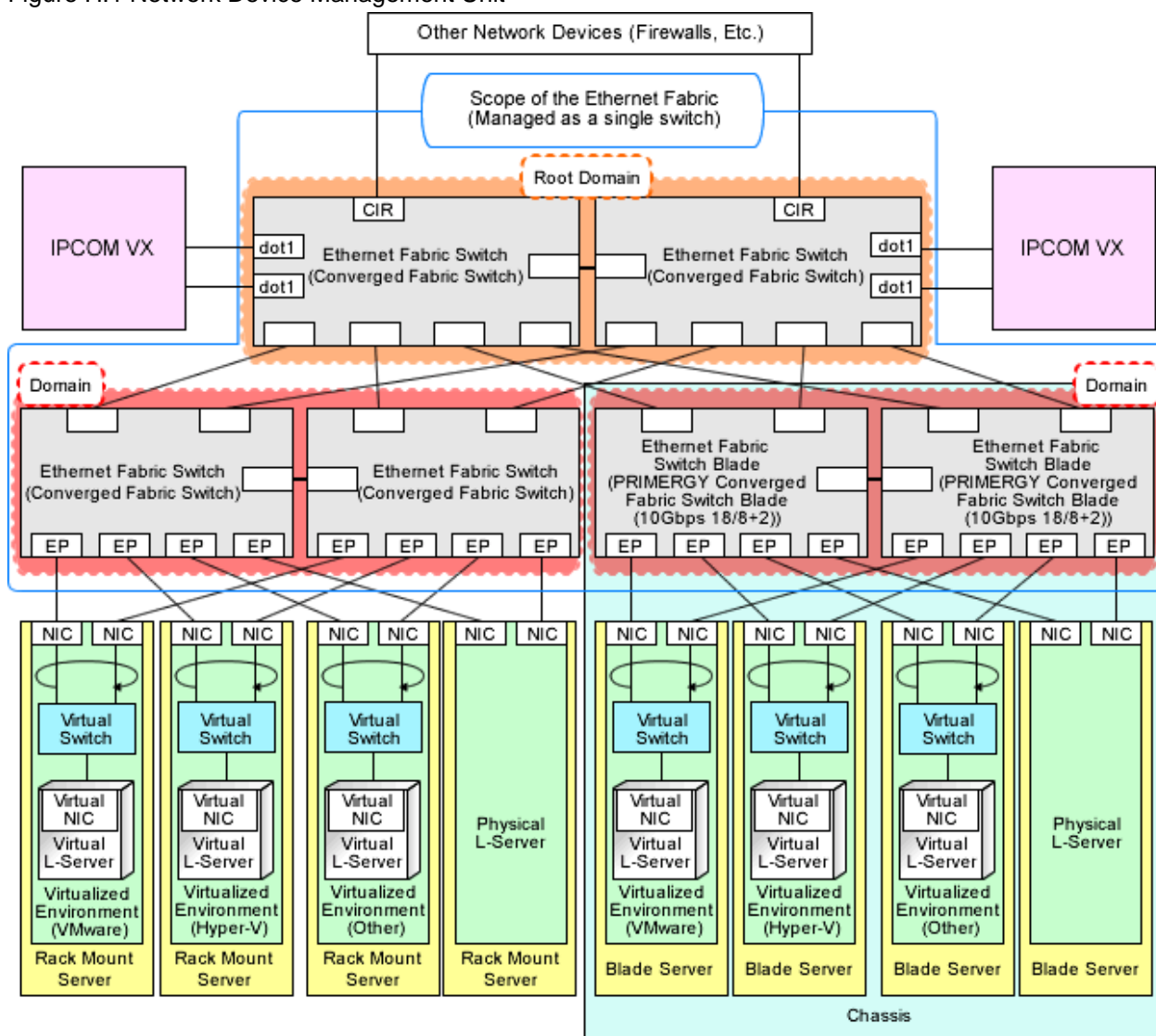
This section explains the method for managing Ethernet fabric configured using "Fujitsu PRIMERGY Converged Fabric Switch Blade (10 Gbps 18/8+2)" and "Fujitsu CFX 2000 Series".

### H.1.1 Management Unit

The configuration example of the Ethernet fabric configured using "Fujitsu PRIMERGY Converged Fabric Switch Blade (10 Gbps 18/8+2)" and "Fujitsu CFX 2000 Series" is shown in "Figure H.1 Network Device Management Unit".

Resource Orchestrator manages all devices comprising an Ethernet fabric as a single network device.

Figure H.1 Network Device Management Unit



CIR: Clean Interface with Redundancy  
 EP: End Point  
 dot1: IEEE802.1ad Frame Communication Port

## H.1.2 Automatic Network Configuration

---

When the network adjacent to servers is configured using an Ethernet fabric, automatic migration of port profiles (hereinafter AMPP) can be used for L-Servers. The AMPP function works with L-Server migration and automatically migrates the physical switch port configuration to the physical port of the Ethernet fabric switch connected to the destination server.

Resource Orchestrator supports VLAN as a parameter of AMPP. The ARP method is used for realizing AMPP.

When creating network resources, by setting auto-configuration, a VLAN port profile is created for an Ethernet fabric switch with port profile configuration enabled. When creating a single network resource, a single VLAN port profile is created on an Ethernet fabric switch.

When creating an L-Server, link the NIC of the L-Server with the VLAN port profile.

When auto-configuration for network resources is valid, link them with the port profile auto-configured by Resource Orchestrator. For the cases other than the above, link them with the port profile based on the description in the port profile configuration function definition file. Through this, VLANs are configured for the internal port ("End Point") of the Ethernet Fabric for L-Server communication.

For details on automatic network configuration, refer to "[9.4.1.9 Automatic Network Configuration for Ethernet Fabric Switches \(Converged Fabric\)](#)".

For details on the port profile configuration function definition file, refer to "[9.4.8.4 When Using Port Profile Configuration Files](#)".

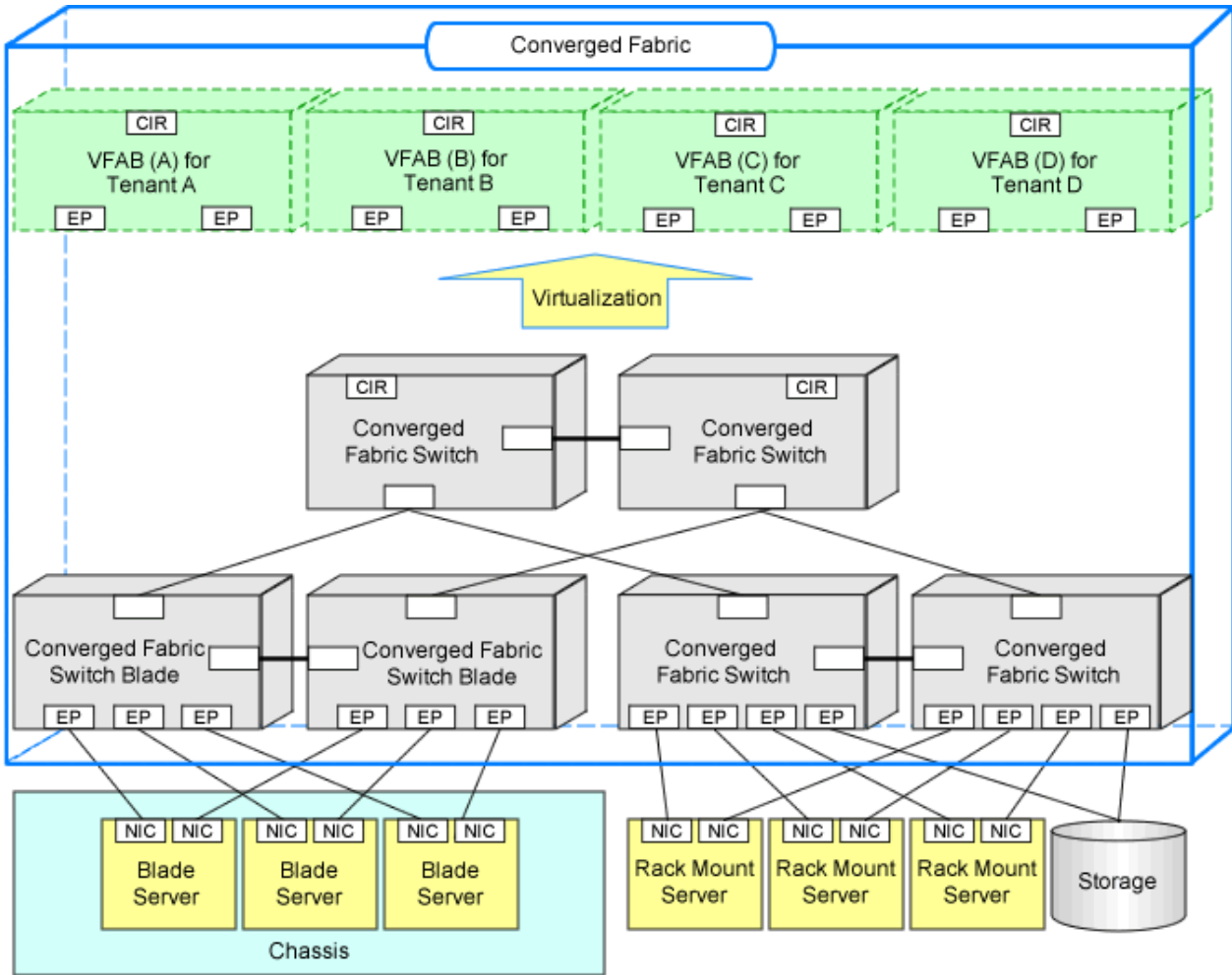
## H.1.3 Virtual Fabrics

---

As one function of Converged Fabrics, there is a function to divide a single Ethernet Fabric into multiple virtual Ethernet Fabrics for management purposes. Divided virtual Ethernet Fabrics are referred to virtual fabrics (VFAB).

In Resource Orchestrator, virtual fabrics can be linked with tenants.

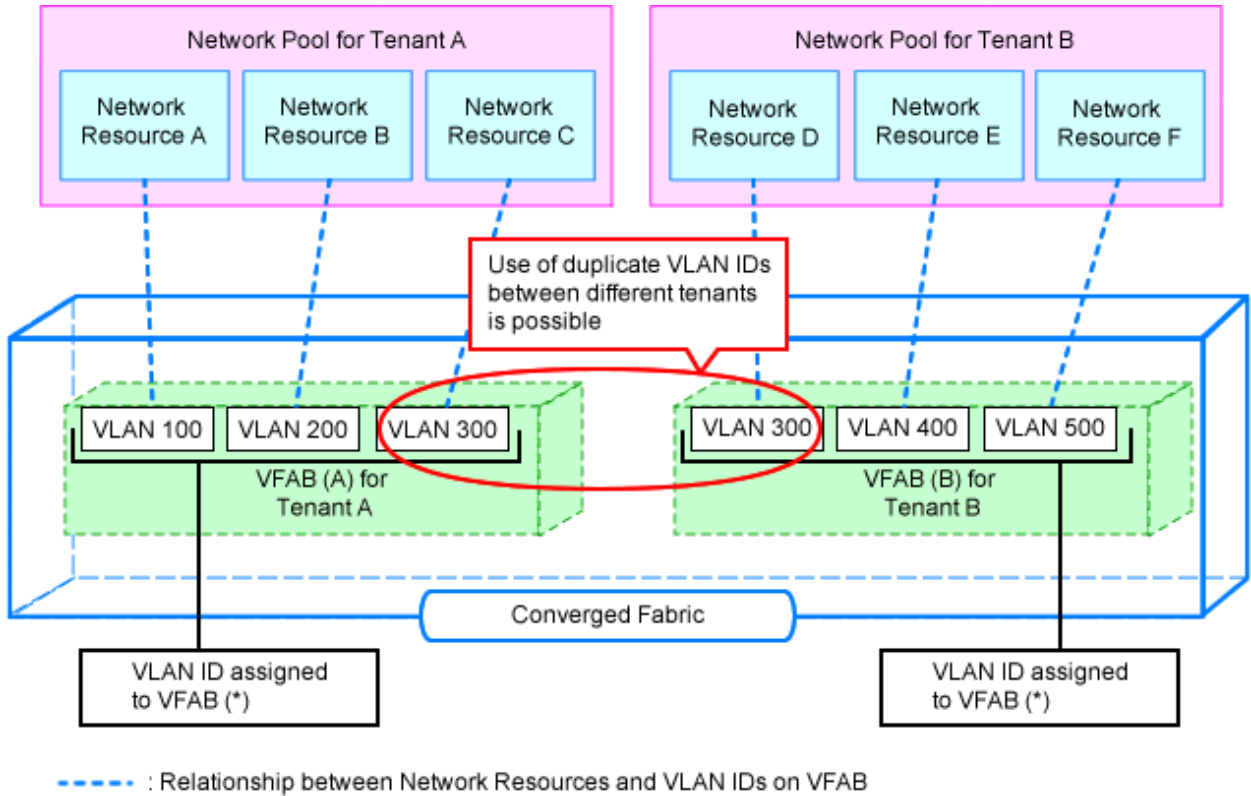
Figure H.2 Linking Virtual Fabrics with Tenants



CIR: Clean Interface with Redundancy  
 EP: End Point

When using virtual fabrics, VLAN IDs are managed independently for each virtual fabric. This means that the same VLAN IDs can be used for different virtual fabrics. Moreover, the same VLAN IDs can be used for tenants linked with different virtual fabrics.

Figure H.3 Relations between Virtual Fabrics and VLAN IDs



\*: VLAN ID guarantees uniqueness within a VFAB.

### Relations between Tenants and Virtual Fabrics

The following two patterns are supported for the relations between tenants and virtual fabrics.

- a. Multiple tenants correspond to a single virtual fabric
- b. A single tenant corresponds to a single virtual fabric

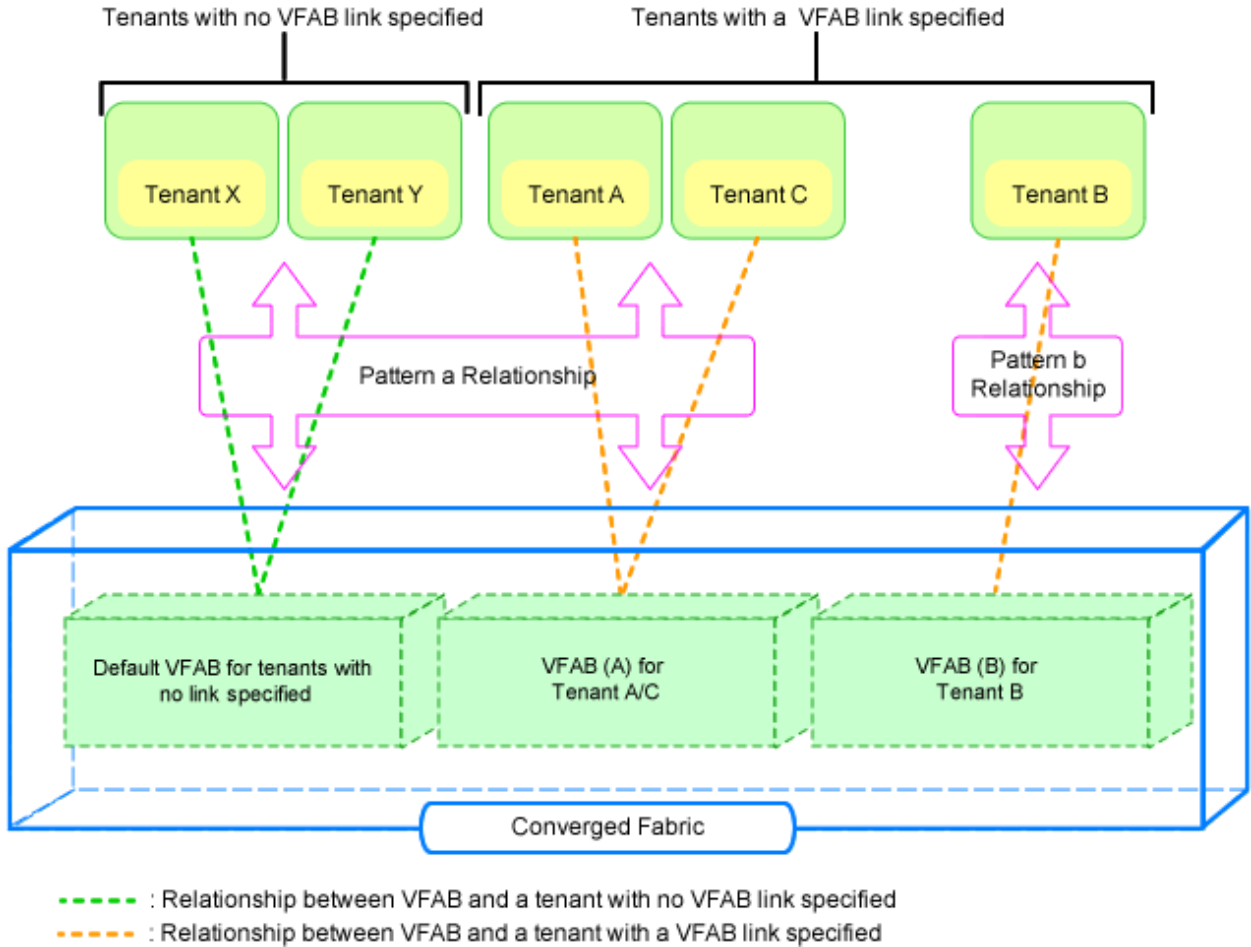
For either pattern, it is necessary to specify which virtual fabric corresponds to which tenant. When using a tenant for which a corresponding virtual fabric has not been specified, it is considered that the default VFAB is specified. The default VFAB is regarded as pattern a. above.

For details on relationships between tenants and virtual fabrics, specify the network configuration information (XML definition) when registering network devices.

For details on the specification method, refer to "15.6.1 Creation" in the "Reference Guide (Command/XML) CE".



Figure H.4 Relations between Tenants and Virtual Fabrics



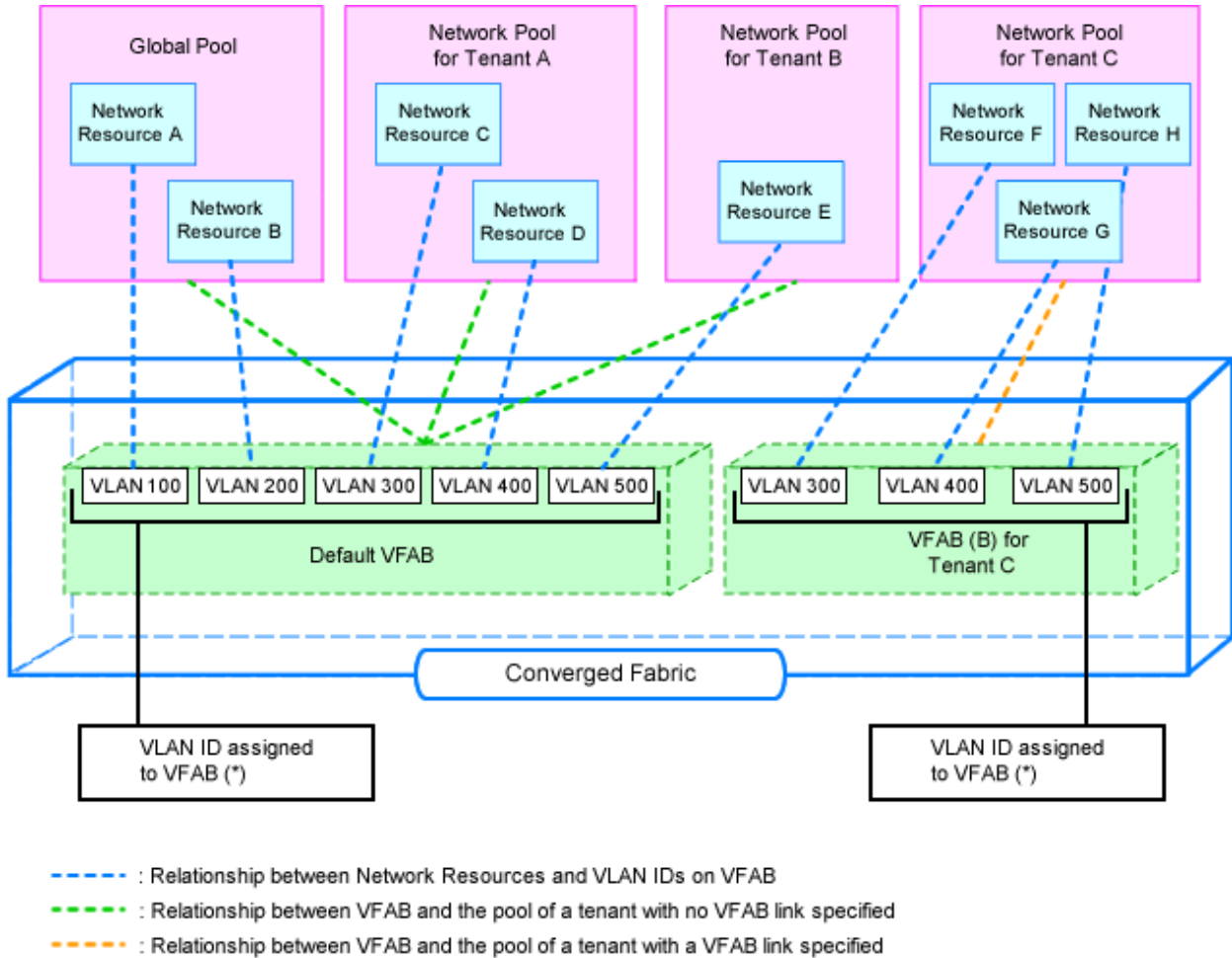
### Relations between Pools and Virtual Fabrics

Network resources belonging to the global pool can be shared with multiple tenants, and they are not dedicated to any specific tenants. Therefore, the network resources belonging to the global pool are regarded as corresponding to the default VFAB. The following indicates that the network resources corresponding to the default VFAB.

- Network resources belonging to the network pool of the global pool
- Network resources belonging to the network pool under a tenant for which linkage with VFAB is not configured.

Network resources in the global pool can be shared with multiple tenants corresponding to the default VFAB. The network resources in the global pool cannot be used for tenants corresponding to a VFAB other than the default VFAB.

Figure H.5 Relations between Pools and Virtual Fabrics



\*: VLAN ID guarantees uniqueness within a VFAB.

### Virtual Fabric Auto-configuration

In Resource Orchestrator, virtual fabrics can be automatically configured for Converged Fabric.

Virtual fabric auto-configuration can be performed for virtual fabrics which satisfy the following conditions:

- The following two settings are configured in the network configuration information (XML definition) for Converged Fabric.
  1. The AutoConfiguration element is omitted. Otherwise, "true" is configured for the AutoConfiguration element.
  2. "true" is configured for the vfabauto attribute of the Vfab element.

For the following cases, the modification operation can be automatically configured in Resource Orchestrator, but settings must be modified in the Converged Fabric.

- When migrating tenants among virtual fabrics while performing virtual fabric auto-configuration
- When migrating resources among virtual fabrics, by network resource or network pool operations

When the following conditions are satisfied, auto-configuration of this modification operation is performed:

- For the destination virtual fabric, the following two settings are configured in the network configuration information (XML definition) for Converged Fabric.
  1. The AutoConfiguration element is omitted. Otherwise, "true" is configured for the AutoConfiguration element.

2. "true" is configured for the vfabauto attribute of the Vfab element.

Moreover, in addition to the conditions above, when the following conditions are satisfied, the configuration of the virtual fabric information related to the port profile configured in Resource Orchestrator is modified automatically.

- The Netdevice element in the portprofile attribute has been omitted in the network configuration information (XML definition). Otherwise, "enable" is configured in the portprofile attribute.

The default VFAB is not the target of auto-configuration, as it is the virtual fabric which was configured in the device when installing Converged Fabric. Therefore, the values specified in the vfabauto attribute in the Vfab element in the network configuration information (XML definition) have no meaning. They are treated as if "false" is specified.

At the timing of the first auto-configuration, auto-configuration of virtual fabrics is performed on the condition that "pre-configuration involving the target virtual fabric in the target virtual Converged Fabric has not been performed". This condition defines the status that the following has been satisfied:

1. The vfab use command has not been executed for the relevant virtual fabric, and
2. The vfab mode command has not been executed for the relevant virtual fabric, and
3. The vfab cir-ports command has not been executed for the relevant virtual fabric, and
4. The ports in dot1ad mode that use the relevant virtual fabric are in either one of the following statuses:
  - Do not belong to the interface group for Converged Fabric.
  - Belong to only the Converged Fabric interface group which is composed of the ports in dot1ad mode. Moreover, VLAN is not configured for the interface group.

When auto-configuration cannot be performed, as the conditions above are not satisfied, operation is as below.

- When registering or modifying the network devices for Converged Fabric

When even a single auto-configuration among virtual fabrics of the auto-configuration targets to be registered or modified cannot be performed, registration or modification of Converged Fabric network devices fails.

When registration or modification fail, after performing either of the following corrective actions, perform registration or modification of network devices for Converged Fabric again.

- Delete the virtual fabric for which auto-configuration could not be performed from the network configuration information (XML definition).
- Modify the hardware settings for Converged Fabric to satisfy the conditions above.
- When performing batch registration or modification of network devices for Converged Fabric

When registration or modification of multiple Converged Fabrics is performed, if there is even one Converged Fabric which cannot be automatically configured, registration or modification will fail. Other Converged Fabrics are processed as below.

- Registration or modification of Converged Fabrics which were defined before the failure are performed correctly.
- Converged Fabrics which were defined after the failure are not registered or modified.

When registration or modification fail, perform either of the following corrective actions, and then perform batch registration or modification of network devices for Converged Fabrics which have been defined after the failure again.

- Delete the virtual fabric for which auto-configuration could not be performed from the network configuration information (XML definition).
- Modify the hardware settings for Converged Fabric to satisfy the conditions above.

## H.2 Brocade VCS Fabric

---

This section explains Ethernet fabrics (VCS) configured for Brocade VDX series.

## H.2.1 Management Unit

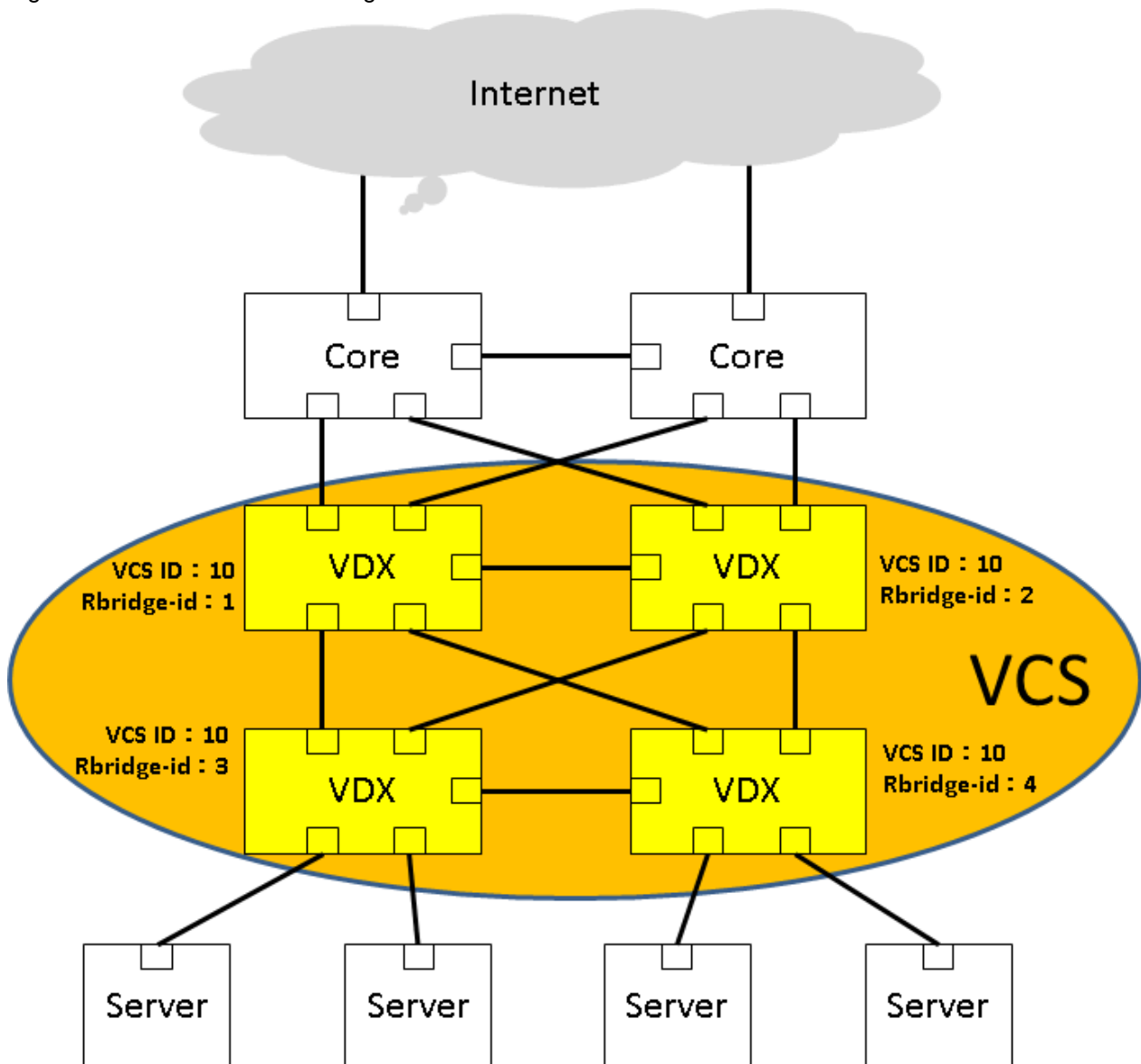
A configuration example of Ethernet fabrics (VCS) configured for Brocade VDX series is shown in "Figure H.6 Network Device Management Unit".

Resource Orchestrator manages all devices comprising an Ethernet fabric (VCS) as a single network device.

### Note

Display of the Virtual Fabric is not supported.

Figure H.6 Network Device Management Unit



## H.2.2 Linking Resources Using NetworkViewer

This section explains the settings for linking an Ethernet Fabric (VCS) with a network resource.

After configuring this settings, Network resources linked with the Ethernet Fabric (VCS) are displayed in the logical map of NetworkViewer. This enables the display of the linkage with an L-Platform, an L-Server, etc.

- Creating network configuration information (XML definition)

For details, refer to "9.4.8.1 When Creating Network Configuration Information (XML Definition)".

- Creating rulesets for VCS monitoring

The procedure for creating the rulesets for VCS monitoring is as follows:

1. [Register Rulesets for VCS Monitoring](#)
2. [Edit Rulesets](#)
3. [Confirm the Settings of the Network Device](#)
4. [Create Network Resources](#)

## Registering Rulesets for VCS Monitoring

Copy a ruleset for the sample script and register the ruleset.

- A folder common to network devices

To manage only one VCS fabric, perform this operation only when registering for the first time.

To manage more than one VCS fabric, create a folder for each combination of VCS to link the network resources.

### Copy Source

[Windows Manager]

*Installation\_folder\SVROR\Manager\etc\scripts\original\network\_resource\vcs\_monitor\_net*

[Linux Manager]

*/etc/opt/FJSVrcvmr/scripts/original/network\_resource/vcs\_monitor\_net*

### Copy Destination

[Windows Manager]

*Installation\_folder\SVROR\Manager\etc\scripts\network\_resource\ruleset\_name*

[Linux Manager]

*/etc/opt/FJSVrcvmr/scripts/network\_resource/ruleset\_name*

*ruleset\_name* must start with an alphabet character, and can contain up to 32 alphanumeric characters, underscores ("\_"), and hyphens ("-").

- A folder for a specific network device

Perform this only when creating for the first time.

### Copy Source

[Windows Manager]

*Installation\_folder\SVROR\Manager\etc\scripts\original\Brocade\VDX\rulesets\vcs\_monitor*

[Linux Manager]

*/etc/opt/FJSVrcvmr/scripts/original/Brocade/VDX/rulesets/vcs\_monitor*

### Copy Destination

[Windows Manager]

*Installation\_folder\SVROR\Manager\etc\scripts\Brocade\VDX\rulesets\vcs\_monitor*

[Linux Manager]

*/etc/opt/FJSVrcvmr/scripts/Brocade/VDX/rulesets/vcs\_monitor*

## Edit Rulesets

Edit the rulesets.

- A folder common to network devices

The targets of editing are the following script files:

- create.lst
- connect.lst
- disconnect.lst
- modify.lst
- delete.lst

Edit the script files using the following procedure.

1. When linking a single network resource with multiple VCSs, before editing, make as many copies of the existing lines described as the number of VCSs.
2. Replace the node operand on each line with the name of the target network device.

Format

```
Execution script, node=Network device name
```

Description

This section explains each item.

**Execution script**

The script to be executed. Editing is not necessary.

**Network device name**

Specify the name of the target network device.



**Example**

**When managing two network devices (vcs1 and vcs2)**

Before editing

```
./Brocade/VDX/rulesets/vcs_monitor/vcs_mon_create.rb, node=VCS
```

After editing

```
./Brocade/VDX/rulesets/vcs_monitor/vcs_mon_create.rb, node=vcs1  
./Brocade/VDX/rulesets/vcs_monitor/vcs_mon_create.rb, node=vcs2
```

- A folder for a specific network device

Editing is not necessary.



**Note**

The rulesets edited here are not used for performing automatic VLAN configuration for VCS using Resource Orchestrator.

To configure a VLAN for VCS, login to the target device directly and configure the VLAN manually, or use another product.

### Confirm the Settings of the Network Device

Confirm the network configuration information (XML definition) for network device registration.

When "false" is set for the definition for whether to perform automatic configuration of network devices (the AutoConfiguration element), modify it to "true".

For details on network configuration information (XML definitions), refer to "15.7.1 Creation" in the "Reference Guide (Command/XML) CE".

When modification of registered network devices is necessary, refer to "15.7.2 Modification" in the "Reference Guide (Command/XML) CE".

## **Create Network Resources**

When creating network resources, specify the edited rulesets.

- When creating using the GUI

For details on creating network resources, refer to "14.3.1 Creating New Network Resources" in the "User's Guide for Infrastructure Administrators (Resource Management) CE".

- When creating using the CLI

Execute the `rcxadm network create` command to create the network resource.

For the `-file` option, specify the network resources (XML definitions) that satisfy the following conditions:

- "true" is configured for the definition of existence of the automatic configuration function (the `SwitchConfiguration auto` element)
- The edited ruleset name is configured for the definition of the ruleset name (the `Ruleset name` element)

For details, refer to "3.9 `rcxadm network`" and "15.6.1 Creation" in the "Reference Guide (Command/XML) CE".

# Appendix I Auto-configuration and Operations of Network Devices Using Simple Configuration Mode

This appendix explains how to perform auto-configuration and operations of network devices using simple configuration mode.

## I.1 Logical Network Configuration

This section explains the logical network configuration.

The logical network configuration which can be configured by using auto-configuration of network devices using simple configuration mode is as shown below.

Figure I.1 Example Logical Network Configuration (For Single-tier)

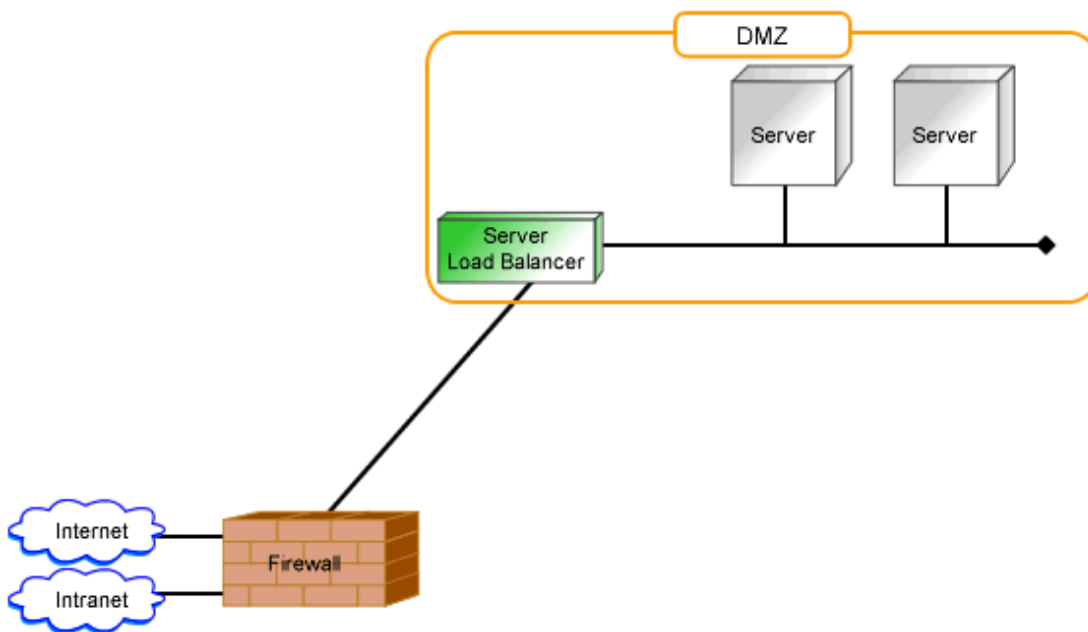


Figure I.2 Example Logical Network Configuration (For Two-tier)

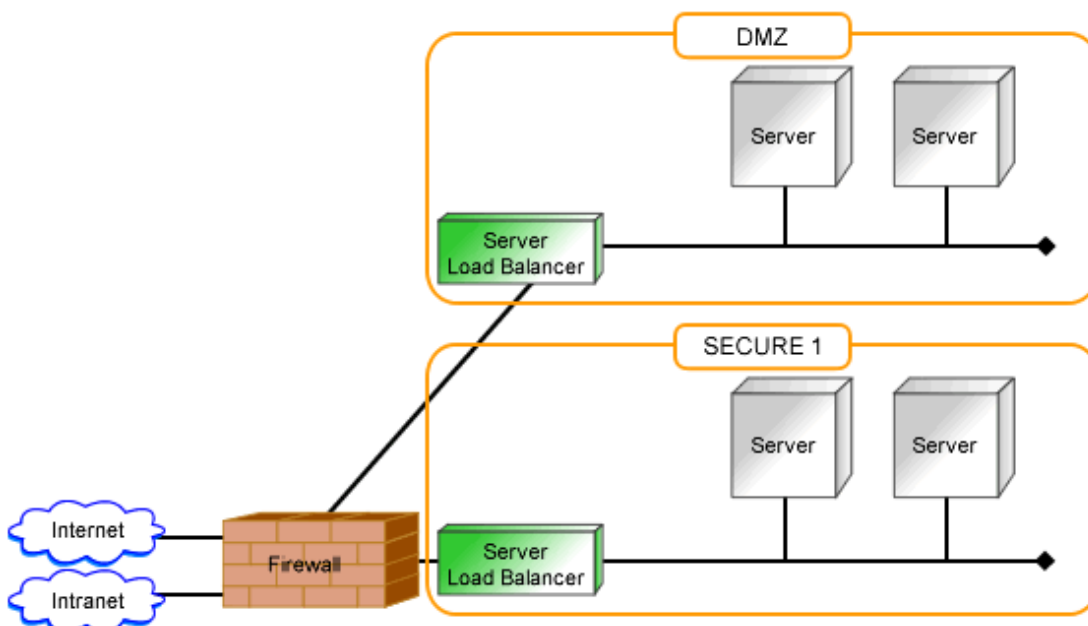
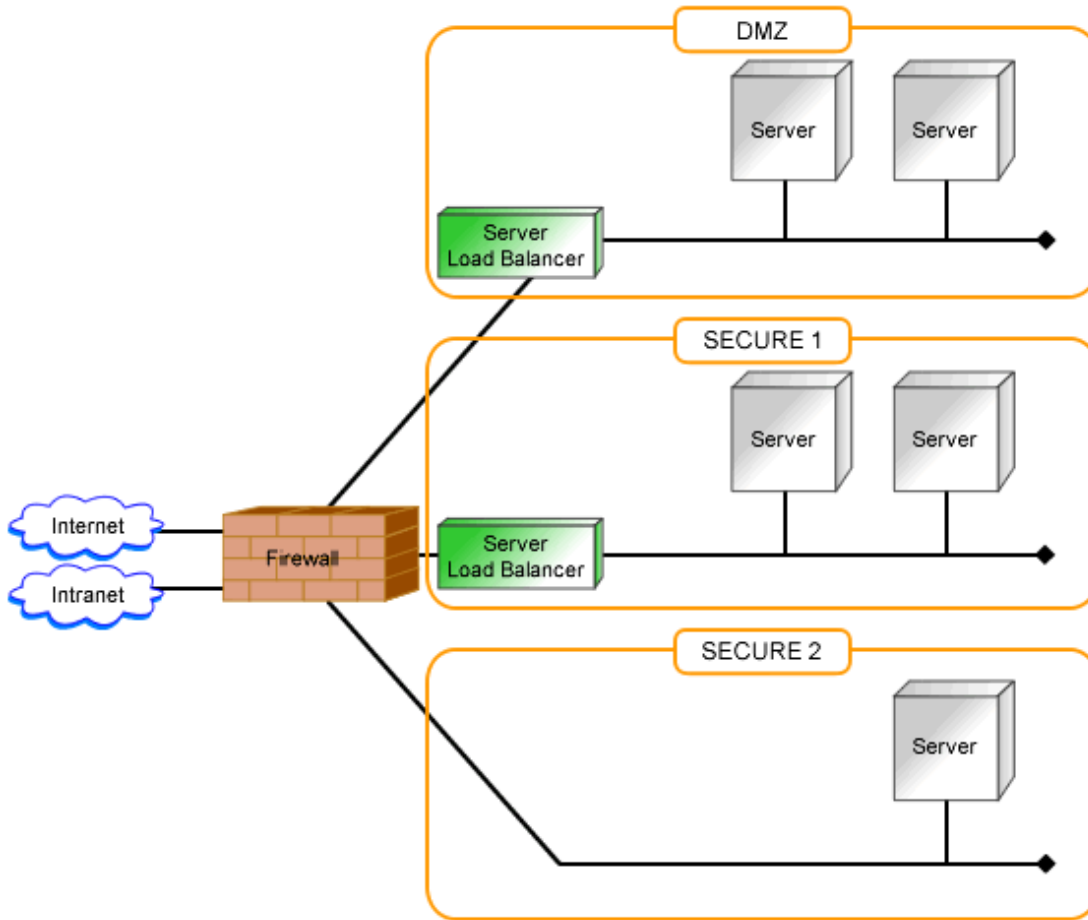




Figure I.3 Example Logical Network Configuration (For Three-tier)



\* Note: Server load balancers may not be available. Either the Internet or an intranet can be selected

## I.2 Devices for which Simple Configuration Mode can be Used and Configuration Details

This section shows the list of unit names for which auto-configuration of network devices using simple configuration mode is possible.

Table I.1 List of Devices for which Simple Configuration Mode can be Used

| Vendor  | Unit Name   | Type             | Details  |
|---------|-------------|------------------|--|
| Fujitsu | NSAppliance | Firewall<br>(*1) | Configuration details for auto-configuration<br>[When creating an L-Platform]<br>- Internal interface (L2 switches)<br>- Add VLAN interface<br>[When modifying the firewall configuration of an L-Platform]<br>- External interface (internet side)<br>- Configuration of firewall rules (*2)<br>- Add dstNAT rules<br>- Add srcNAPT rules<br>- External interface (intranet side) |

| Vendor | Unit Name | Type                      | Details  |
|--------|-----------|---------------------------|--|
|        |           |                           | <ul style="list-style-type: none"> <li>- Configuration of firewall rules (*2)</li> <li>- Internal interface (L2 switches) <ul style="list-style-type: none"> <li>- Configuration of firewall rules (*2)</li> </ul> </li> </ul> <p>[When deleting an L-Platform]</p> <ul style="list-style-type: none"> <li>- External interface (internet/intranet side) <ul style="list-style-type: none"> <li>- Delete VLAN interface</li> <li>- Deletion of dstNAT rules (when using an internet connection)</li> <li>- Deletion of srcNAT rules (when using an internet connection)</li> </ul> </li> <li>- Internal interface (L2 switches) <ul style="list-style-type: none"> <li>- Delete VLAN interface</li> <li>- Delete VLAN interface</li> </ul> </li> </ul> <hr/> <p>Operation details</p> <p>[When displaying firewall logs of L-Platforms]</p> <ul style="list-style-type: none"> <li>- Filtering the display results (free keywords or rules)</li> </ul> <hr/> <p>Configuration details for auto-configuration</p> <p>[When creating an L-Platform]</p> <ul style="list-style-type: none"> <li>- No operation involved</li> </ul> <p>[When modifying the Server load balancer configuration of an L-Platform]</p> <ul style="list-style-type: none"> <li>- Add server load balancer rules (*4)</li> <li>- Add SSL accelerator configurations (*5)</li> </ul> <p>[When deleting an L-Platform]</p> <ul style="list-style-type: none"> <li>- Delete server load balancer rules</li> <li>- Delete SSL accelerator configurations</li> </ul> <hr/> <p>Operation details</p> <p>[When selecting a server load balancer]</p> <ul style="list-style-type: none"> <li>- Add a server to or remove a server from a load balancing group</li> </ul> <p>[When selecting an L-Server]</p> <ul style="list-style-type: none"> <li>- Add a server to or remove a server from a load balancing group</li> </ul> <p>[When displaying the load balancing status]</p> <ul style="list-style-type: none"> <li>- Display the load balancing status of server load balancer rules</li> <li>- Clear the statistical information of the load balancing status of server load balancer rules</li> </ul> <p>[When displaying the access status]</p> |
|        |           | Server load balancer (*3) |  |

| Vendor | Unit Name | Type | Details   |
|--------|-----------|------|---|
|        |           |      | <ul style="list-style-type: none"> <li>- When displaying the access status of server load balancer rules</li> <li>- Clear the statistical information of the access status of server load balancer rules</li> </ul> |

\*1: Configure firewall rules for the VLAN interfaces of LAN ports to use as public LANs.

\*2: "Sender IP address", "Sender port number", "Destination IP address", "Destination port number", "PROTOCOL", "LOG collection", and "Action" can be configured as the parameters of firewall rules.

\*3: Server load balancer rules are configured for public LAN connections.

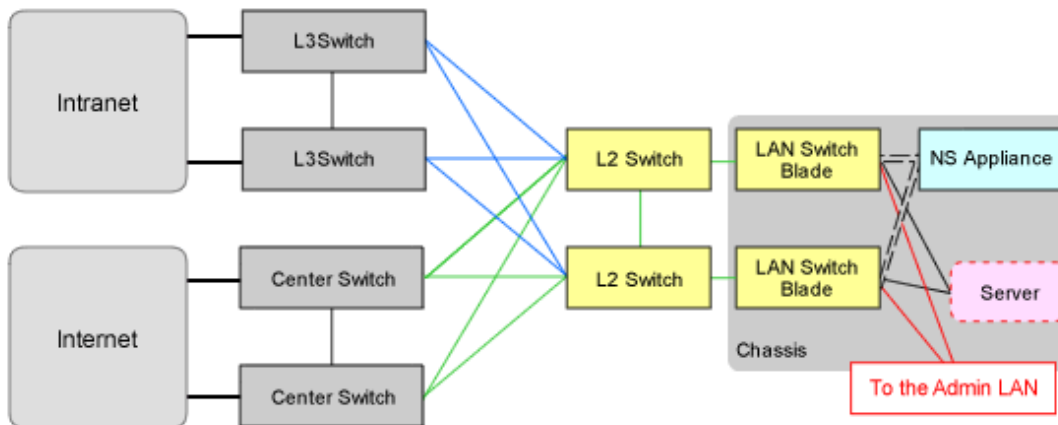
\*4: For the parameters of server load balancer rules, "Protocol (HTTP/HTTPS/HTTP+HTTPS/TCP/UDP) and Port number", "Access limits", "Server distribution method (Round robin/Minimum connection)", "Session maintenance method (Connection, Node)", "Server failure monitoring method (PING/TCP)", and "Operation when server failure is detected or during recovery" can be configured.

\*5: Configuration is automatic when "HTTPS" or "HTTP+HTTPS" is specified for the protocol in server load balancer rules. There are no parameters that can be customized by users.

## I.2.1 Standard Model Configurations (NSAppliance)

The standard model configuration configured for auto-configuration of network devices using the simple configuration mode is as shown below.

Figure I.4 Standard Model Configurations (NSAppliance)



The LAN ports used in the standard model configuration when performing auto-configuration of network devices using the simple configuration mode are as indicated below.

### LAN Ports to be Used

- Public LAN (internet/intranet side)  
LAN0.0
- For Public LANs (L2 Switch Side)  
LAN0.1
- For the Admin LAN  
LAN0.3

### Information

For public LAN (internet/intranet side), configure the NS appliance referring to "3.6 Configuring NS Appliances" in the "NS Option Instruction".

## I.2.2 Usage Conditions for Standard Model Configuration

---

This section explains the usage conditions for standard model configuration.

### Information

---

When using auto-configuration of network devices using the simple configuration mode, configure the target devices in advance according to "9.2.3.3 Settings for Automatically Configured Devices".

For details on pre-configuration for the NS appliance (NS Option), refer to "2.2.2 Preparations for NS Appliance" in the "NS Option Instruction".

---

### NS Appliance

- An L-Platform is comprised of one to three-tier network segments.
- Up to 10 L-Servers can be deployed in a single network segment.
- The maximum number of L-Platforms that can be deployed on a single NS Appliance and the maximum number of rules that can be configured for an L-Platform are decided by the specification of the MaxDeployment element of the network configuration information(XML definition).

| Number of L-Platforms that can be Deployed to a Single NS Appliance | Maximum Number of Firewall Rules (*1) | Maximum Number of Server Load Balancer Rules (*1) |
|---|---------------------------------------|---|
| 1   | 900                                   | 30  |
| 5   | 180                                   | 6   |
| 9   | 100                                   | 3   |

\*1: The number of rules that can be configured for a single L-Platform.

- When specifying "1" for the number of L-Platforms (MaxDeployment) which can be deployed to a single NS Appliance, specify a value larger than 3600 seconds for the script monitoring time ("SIMPLE\_SCRIPT\_EXECUTE\_TIME" parameter in "unm\_provisioning.rcxprop").  
For details on how to define the script monitoring time, refer to "I.5 Definition File".
- Only a single NS appliance using the "simple configuration mode" can be registered for a single tenant.
- Register the network resources to be used by an L-Platform in a local group.

## I.3 Preparations

---

This section explains pre-configuration necessary for using auto-configuration of network devices using the simple configuration mode.

### I.3.1 Interface Configuration Files

---

When performing auto-configuration of network devices using simple configuration mode, it is necessary to create the interface configuration file. Refer to "15.17 Network Device Interface Configuration File" in the "Reference Guide (Command/XML) CE" for details.

#### Deployment Location for Interface Configuration Files

[Windows Manager]

*Installation\_folder*\SVROR\Manager\etc\scripts\network\_resource\

[Linux Manager]

/etc/opt/FJSVrcvmr/scripts/network\_resource/

## Format

### NS Appliance

```
<?xml version="1.0" encoding="utf-8"?>
<UnmNetwork>
  <Networks>
    <Network name="Network resource name">
      <NetworkDevices>
        <NetworkDevice name="Network device name">
          <Ipv4Addresses>
            <Ipv4Address address="Default gateway" parameternumber="1" />
          </Ipv4Addresses>
        </NetworkDevice>
        :
      </NetworkDevices>
      :
    </Network>
    :
  </Networks>
</UnmNetwork>
```

#### Network Resource Name

```
<Network name="Network resource name">
```

Specify the network resources to use when deploying L-Platforms.  
It is necessary to register all network resources which may be used.

#### Network Device Name

```
<NetworkDevice name="Network device name">
```

For the network device name, specify the network device name of the NS appliance which is the configuration target of the simple configuration mode used for the network resources.

#### Information under the Network Device Name

Configure the following values depending on the types of network devices.

```
<Ipv4Address address="Default gateway" parameternumber="1" />
```

#### Default gateway

Specify the IPv4 address of the default gateway in the network resource used on the relevant network device for the default gateway.

## I.3.2 Server Certificates and CA Certificates

---

When using the SSL accelerator of the server load balancer function, it is necessary to register the server certificate and the CA certificate prepared by a tenant user.

For the registration work flow, refer to "C.3.1 Registering Server Certificates and CA Certificates" in the "NS Option Instruction".

## I.3.3 Error Page Response Files

---

In order to perform load balancing of HTTP communications or HTTPS communications using the SSL accelerator of the server load balancer function, it is necessary to register error page response files created by a tenant user in an NS Appliance.

For the registration work flow, refer to "C.4.1 Registering Error Page Response Files" in the "NS Option Instruction".

Resource Orchestrator provides sample error page response files as reference information for tenant users to create error page response files.

### Storage Location of Sample Error Page Response Files

[Windows Manager]

- Japanese File

- Default Error Page Response File

*Installation\_folder*\SVROR\Manager\etc\scripts\original\errorpage\ja\unmslb-default-slb.html

- The error page response file used when distribution is not possible because all of the distribution target servers are in maintenance mode or in transition to maintenance mode

*Installation\_folder*\SVROR\Manager\etc\scripts\original\errorpage\ja\unm-maintenance-slb.html

- The error page response file used when distribution is not possible because all of the distribution target servers except the ones in maintenance mode or in transition to maintenance mode have failed

*Installation\_folder*\SVROR\Manager\etc\scripts\original\errorpage\ja\unm-serverstop-slb.html

- The error page response file used when distribution is not possible due to access limits, although there are distribution target servers which are not in in maintenance mode, not in transition to maintenance mode, have not failed or become overloaded

*Installation\_folder*\SVROR\Manager\etc\scripts\original\errorpage\ja\unm-trafficlimit-slb.html

- English File

- Default Error Page Response File

*Installation\_folder*\SVROR\Manager\etc\scripts\original\errorpage\en\unmslb-default-slb.html

- The error page response file used when distribution is not possible because all of the distribution target servers are in maintenance mode or in transition to maintenance mode

*Installation\_folder*\SVROR\Manager\etc\scripts\original\errorpage\en\unm-maintenance-slb.html

- The error page response file used when distribution is not possible because all of the distribution target servers except the ones in maintenance mode or in transition to maintenance mode have failed

*Installation\_folder*\SVROR\Manager\etc\scripts\original\errorpage\en\unm-server\_stop-slb.html

- The error page response file used when distribution is not possible due to access limits, although there are distribution target servers which are not in in maintenance mode, not in transition to maintenance mode, have not failed or become overloaded

*Installation\_folder*\SVROR\Manager\etc\scripts\original\errorpage\en\unm-trafficlimit-slb.html

[Linux Manager]

- Japanese File

- Default Error Page Response File

/etc/opt/FJSVrcvmr/scripts/original/errorpage/ja/unmslb-default-slb.html

- The error page response file used when distribution is not possible because all of the distribution target servers are in maintenance mode or in transition to maintenance mode

/etc/opt/FJSVrcvmr/scripts/original/errorpage/ja/unm-maintenance-slb.html

- The error page response file used when distribution is not possible because all of the distribution target servers except the ones in maintenance mode or in transition to maintenance mode have failed

/etc/opt/FJSVrcvmr/scripts/original/errorpage/ja/unm-serverstop-slb.html

- The error page response file used when distribution is not possible due to access limits, although there are distribution target servers which are not in in maintenance mode, not in transition to maintenance mode, have not failed or become overloaded

/etc/opt/FJSVrcvmr/scripts/original/errorpage/ja/unm-trafficlimit-slb.html

- English File

- Default Error Page Response File

/etc/opt/FJSVrcvmr/scripts/original/errorpage/en/unmslb-default-slb.html

- The error page response file used when distribution is not possible because all of the distribution target servers are in maintenance mode or in transition to maintenance mode

/etc/opt/FJSVrcvmr/scripts/original/errorpage/en/unm-maintenance-slb.html

- The error page response file used when distribution is not possible because all of the distribution target servers except the ones in maintenance mode or in transition to maintenance mode have failed

/etc/opt/FJSVrcvmr/scripts/original/errorpage/en/unm-server\_stop-slb.html

- The error page response file used when distribution is not possible due to access limits, although there are distribution target servers which are not in maintenance mode, not in transition to maintenance mode, have not failed or become overloaded  
/etc/opt/FJSVrcvnr/scripts/original/errorpage/en/unm-trafficlimit-slb.html

## I.4 Rulesets

When performing auto-configuration or operations for network devices using simple configuration mode, use the built-in ruleset to configure the network devices. The ruleset names displayed in messages, when performing auto-configuration and operations of network devices using simple configuration mode, are indicated below.

### NS Appliance

| Type                 | Ruleset Type  | Ruleset Name                | Overview                                |
|----------------------|---------------|-----------------------------|---|
| Firewall             | Configuration | _Simple_FW_setting_for_NS   | Setting of rules                        |
|                      | Operation     | _Simple_log_display_for_NS  | Referring to logs                       |
| Server load balancer | Configuration | _Simple_SLB_setting_for_NS  | Setting of rules                        |
|                      | Operation     | _Simple_maintenance_for_NS  | Switching to/releasing maintenance mode |
|                      |               | _Simple_lb_clear_for_NS     | Clearing load balancing status          |
|                      |               | _Simple_access_check_for_NS | Display the access status               |
|                      |               | _Simple_access_clear_for_NS | Clear the access status                 |

## I.5 Definition File

Modify the definition to use for auto-configuration and operations of network devices using the simple configuration mode, by configuring the values in the definition file in advance.

### I.5.1 Storage Location of the Definition File

[Windows Manager]

*Installation\_folder*\SVROR\Manager\etc\customize\_data

[Linux Manager]

/etc/opt/FJSVrcvnr/customize\_data

### I.5.2 Definition File Name

unm\_provisioning.rcxprop

### I.5.3 Definition File Format

This section explains the definition information to use for auto-configuration and operations of network devices using the simple configuration mode.

#### Monitoring Time of Script

Specify the monitoring time when you want to change it to a value besides 1200(s).



In the network device automatic configuration function, script execution time is monitored.

When the monitoring time has passed since the beginning of the script execution, the processing of the script is terminated.

## Parameter Format of Definition Files

```
SIMPLE_SCRIPT_EXECUTE_TIMEOUT=Monitoring time
```

Specify the *monitoring time* within the range of 1 to 7200(s).

When the specified value is non-numeric or is outside of the above-mentioned range, 1200(s) is used.



### Example

```
SIMPLE_SCRIPT_EXECUTE_TIMEOUT=1800
```

## I.6 Collecting Troubleshooting Data when an Error Occurs

---

This section explains how to collect troubleshooting data necessary for determination of causes or recovery of auto-configuration details, when auto-configuration of network devices fails, while using auto-configuration of network devices with the simple configuration mode.

When auto-configuration for network devices fails, take corrective action or confirm operations depending on the output messages.

If, as the result of confirmation of operations, the cause of auto-configuration failure cannot be removed, collect the output message and troubleshooting data, and request investigation by Fujitsu technical staff.

The troubleshooting data to collect is as follows:

- Simple configuration log files
- Troubleshooting data of network devices
- Troubleshooting data of admin servers

### I.6.1 Simple Configuration Log Files

---

When performing auto-configuration of network devices using simple configuration mode, the operation details are output in the files as logs.

When requesting investigation by Fujitsu technical staff, copy the log files stored in the following locations, and send them.

Note that the storage locations and the file names of the log files are different depending on the models of target network devices for which auto-configuration failed.

- NS Appliance
  - Storage directories
    - [Windows Manager]  
*Installation\_folder*\SVROR\Manager\etc\scripts\Simple\Fujitsu\NSAppliance\logs
    - [Linux Manager]  
/etc/opt/FJSVrcvmr/scripts/Simple/Fujitsu/NSAppliance/logs
  - Log file names
    - "ns\_script\_FW\_setting\_admin IP address.log"
    - "ns\_script\_FW\_operate\_admin IP address.log"
    - "ns\_script\_SLB\_setting\_admin IP address.log"
    - "ns\_script\_SLB\_operate\_admin IP address.log"
    - ns\_script\_unknown\_device.log

### I.6.2 Troubleshooting Data of Network Devices

---

Collect the troubleshooting data (maintenance data, etc.) for investigation of network devices for which auto-configuration failed.



For details on how to collect the data necessary for investigation, refer to the manuals of the relevant network devices.

### **I.6.3 Troubleshooting Data of Admin Servers**

---

Collect the data necessary for investigation of admin servers.

For details on how to collect troubleshooting data of admin servers, refer to "1.3 Collecting Investigation Data(Cloud Edition)" in "Troubleshooting".

# Appendix J IPCOM VX Series Devices

This appendix explains the method for managing IPCOM VX series devices in Resource Orchestrator.

## J.1 IPCOM VX Series

This section explains how to manage IPCOM VX series devices configured for linking with Ethernet fabrics.

### J.1.1 Management Unit

A configuration example of IPCOM VX series configured for linking with Ethernet fabrics is shown in "[Figure J.1 Network Device \(IPCOM VX Series\) Management Unit](#)".

Resource Orchestrator manages IPCOM VX series devices as a single management host network device. Each IPCOM VA in an IPCOM VX series device is managed as a network device (firewall or server load balancer).

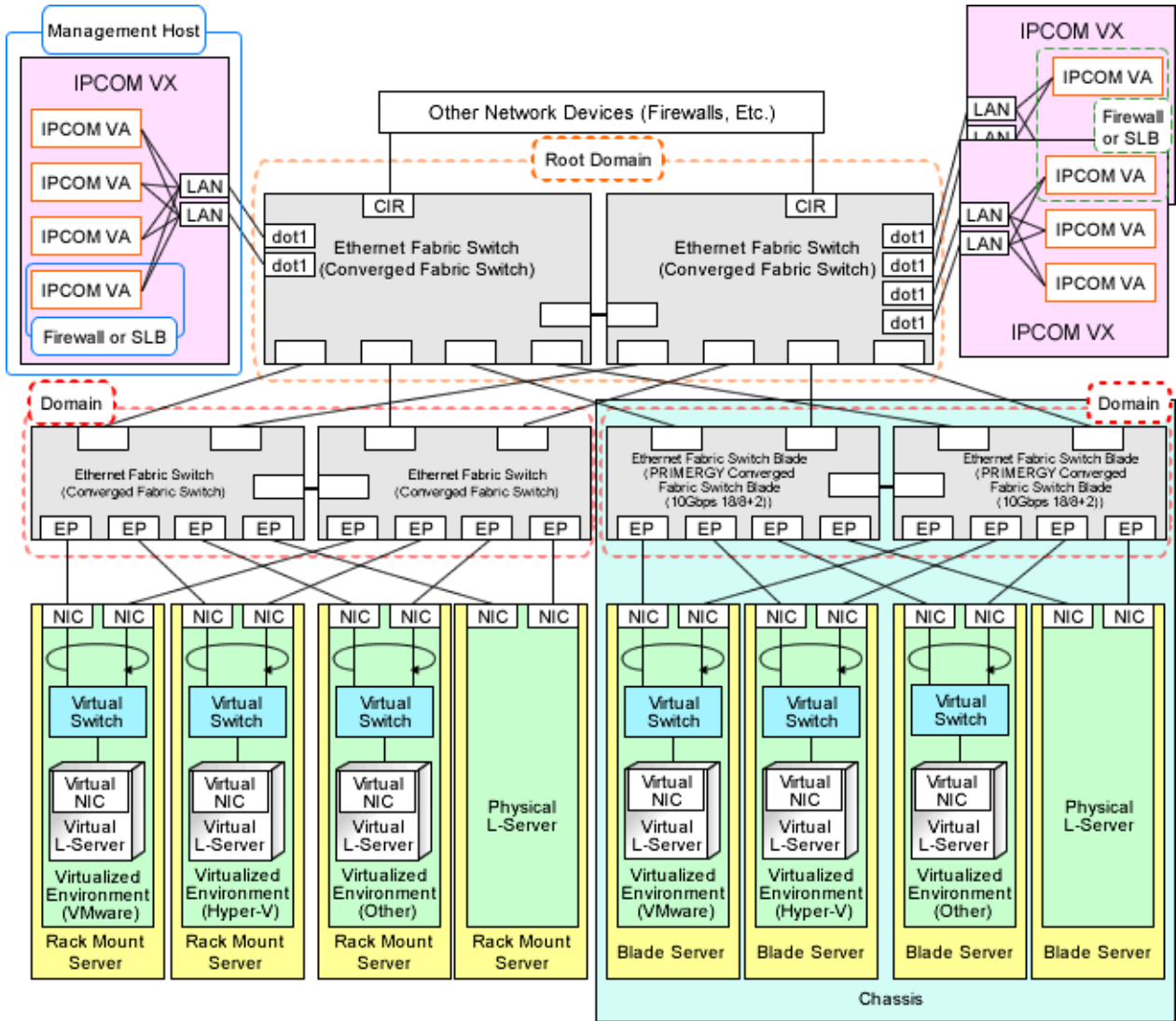
For the port name of the Ethernet fabric to specify for the link information of the network configuration information necessary for registration as a network device, specify an IEEE802.1ad frame communication port with the type EP (End Point) and CIR (Clean Interface with Redundancy). The port type can be either EP or CIR.

For details on how to confirm the port name to specify, refer to "[9.4.8.1 When Creating Network Configuration Information \(XML Definition\)](#)".

For the admin IP address to specify when stating the network device information in the network configuration information, specify the admin IP address configured for the IPCOM VX series device or IPCOM VA.

The following configuration diagram is based on the assumption that the VFAB is set to network mode.

Figure J.1 Network Device (IPCOM VX Series) Management Unit



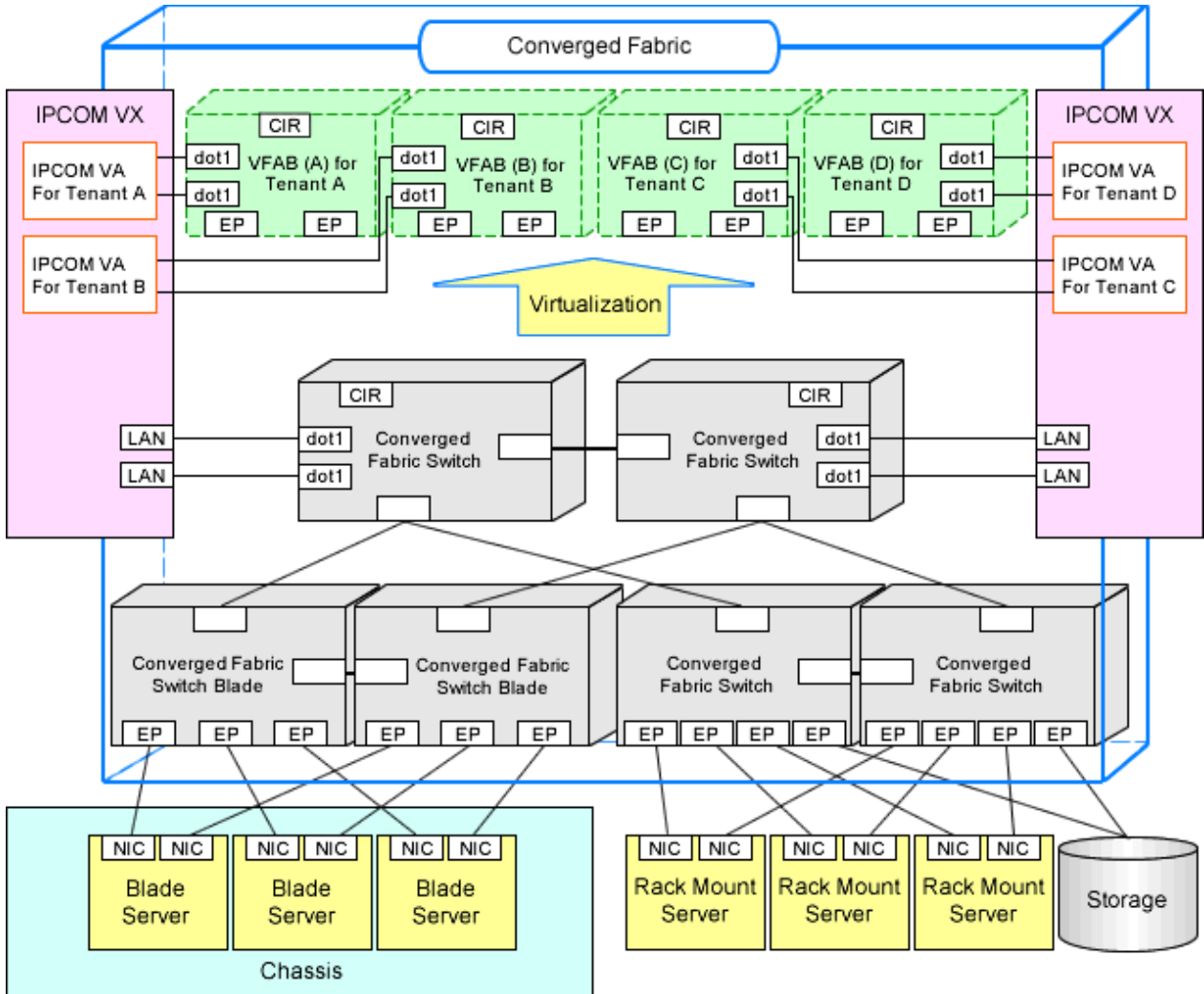
CIR: Clean Interface with Redundancy  
 EP: End Point  
 dot1: IEEE802.1ad Frame Communication Port  
 SLB: Server Load Balancer

## J.1.2 IPCOM VA

The IPCOM VX series provides the functions to deploy and manage multiple virtual network devices (IPCOM VA).

Resource Orchestrator can link each IPCOM VA with tenants in coordination with virtual fabrics using Ethernet fabric.

Figure J.2 Linking IPCOM VA and Virtual Fabrics with Tenants



CIR: Clean Interface with Redundancy  
 EP: End Point  
 dot1: IEEE802.1ad Frame Communication Port

When using virtual fabrics, a VFAB VLAN ID (S-TAG ID) for the fabric ID of each virtual fabric is configured independently. In order to enable communication between IPCOM VA and virtual fabrics, the S-TAG IDs of both the IPCOM VA and the virtual fabric must be the same.

There are following two patterns for matching the S-TAG IDs of IPCOM VA and virtual fabrics:

- Configuration matching S-TAG IDs between IPCOM VA and virtual fabric  
 For details on configuration, refer to "[Figure J.3 Relationship of S-TAG IDs of IPCOM VA and Virtual Fabrics](#)".
- Configuration matching S-TAG IDs between each interface of IPCOM VA and virtual fabrics  
 For details on configuration, refer to "[Figure J.4 Relationship of S-TAG IDs of IPCOM VA and Multiple Virtual Fabrics](#)".

Figure J.3 Relationship of S-TAG IDs of IPCOM VA and Virtual Fabrics

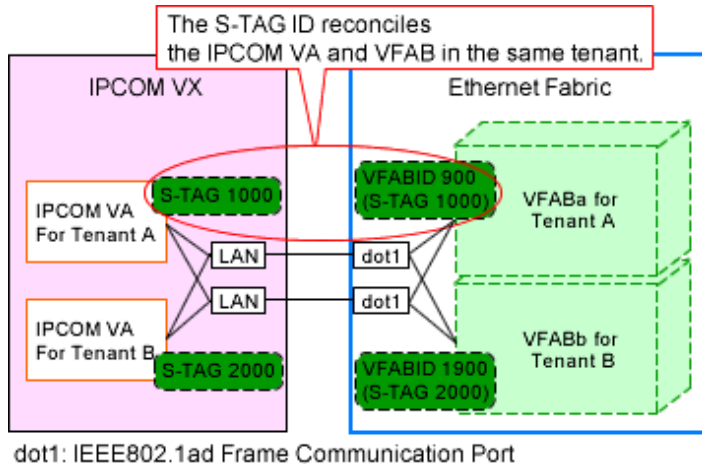
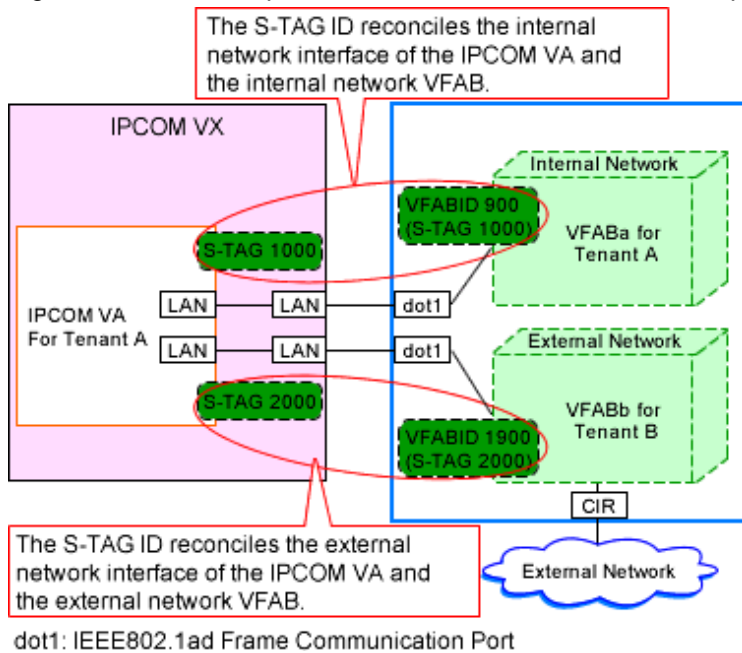


Figure J.4 Relationship of S-TAG IDs of IPCOM VA and Multiple Virtual Fabrics



### Relationship between IPCOM VA in Pools and Virtual Fabrics

Network devices (IPCOM VA) belonging to the global pool can be shared with multiple tenants, and they are not dedicated to any specific tenants. Therefore, the network devices (IPCOM VA) belonging to the global pool can be linked with the default VFAB.

The network devices (IPCOM VA) in the global pool cannot be used for tenants corresponding to a VFAB other than the default VFAB.

The network devices (IPCOM VA) that can be linked with a VFAB other than the default VFAB are the ones that belong to the local pool of the tenant corresponding to that VFAB.

Table J.1 Relationship between IPCOM VA in Pools and Virtual Fabrics

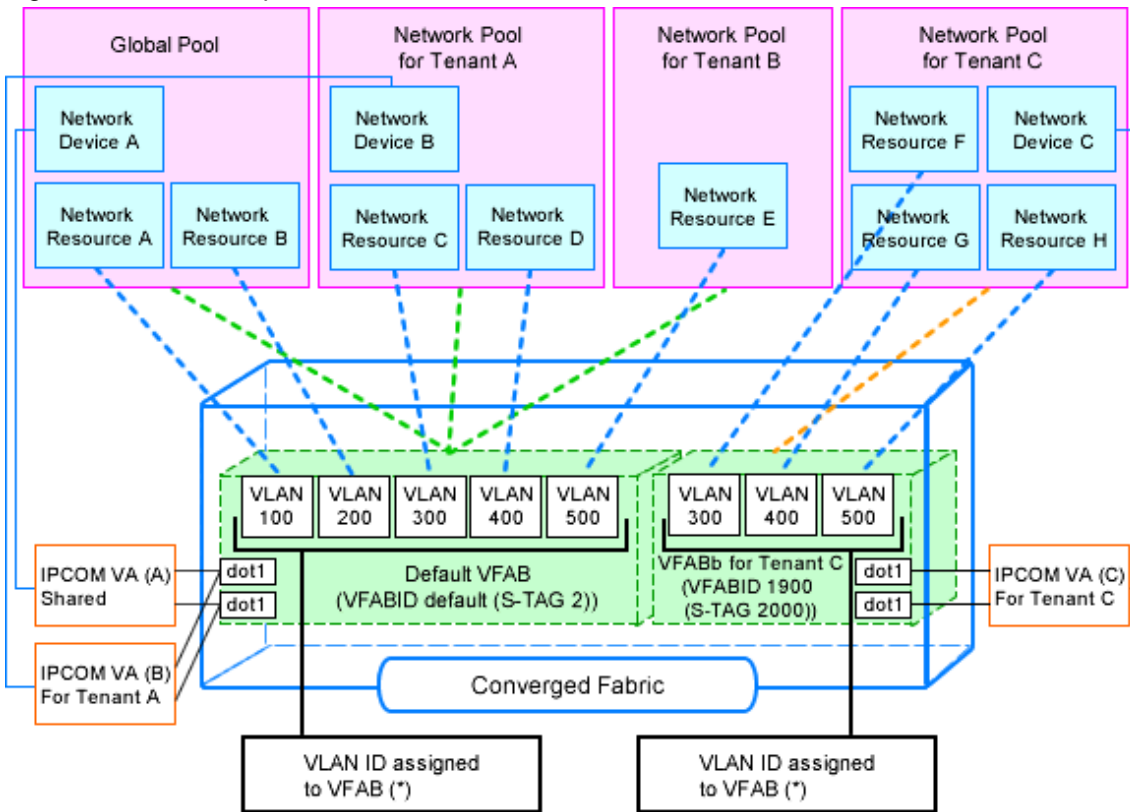
| Pool        | Fabric       | Coordination of IPCOM VA Belonging to a Pool and VFAB | Sharing of IPCOM VA Between Multiple Tenants |
|-------------|--------------|---|--|
| Global pool | Default VFAB | Possible  | Possible                                     |
|             | VFAB         | -   | -  |

| Pool       | Fabric       | Coordination of IPCOM VA Belonging to a Pool and VFAB | Sharing of IPCOM VA Between Multiple Tenants |
|------------|--------------|---|--|
| Local pool | Default VFAB | Possible (*)  | Not possible                                 |
|            | VFAB         | Possible  | Not possible                                 |

- Not applicable (Global pools can only be coordinated with the default VFAB)

\* Note: Tenants in the local pool need to be specified as the tenants that use the default VFAB in advance.

Figure J.5 Relationship between IPCOM VA in Pools and Virtual Fabrics



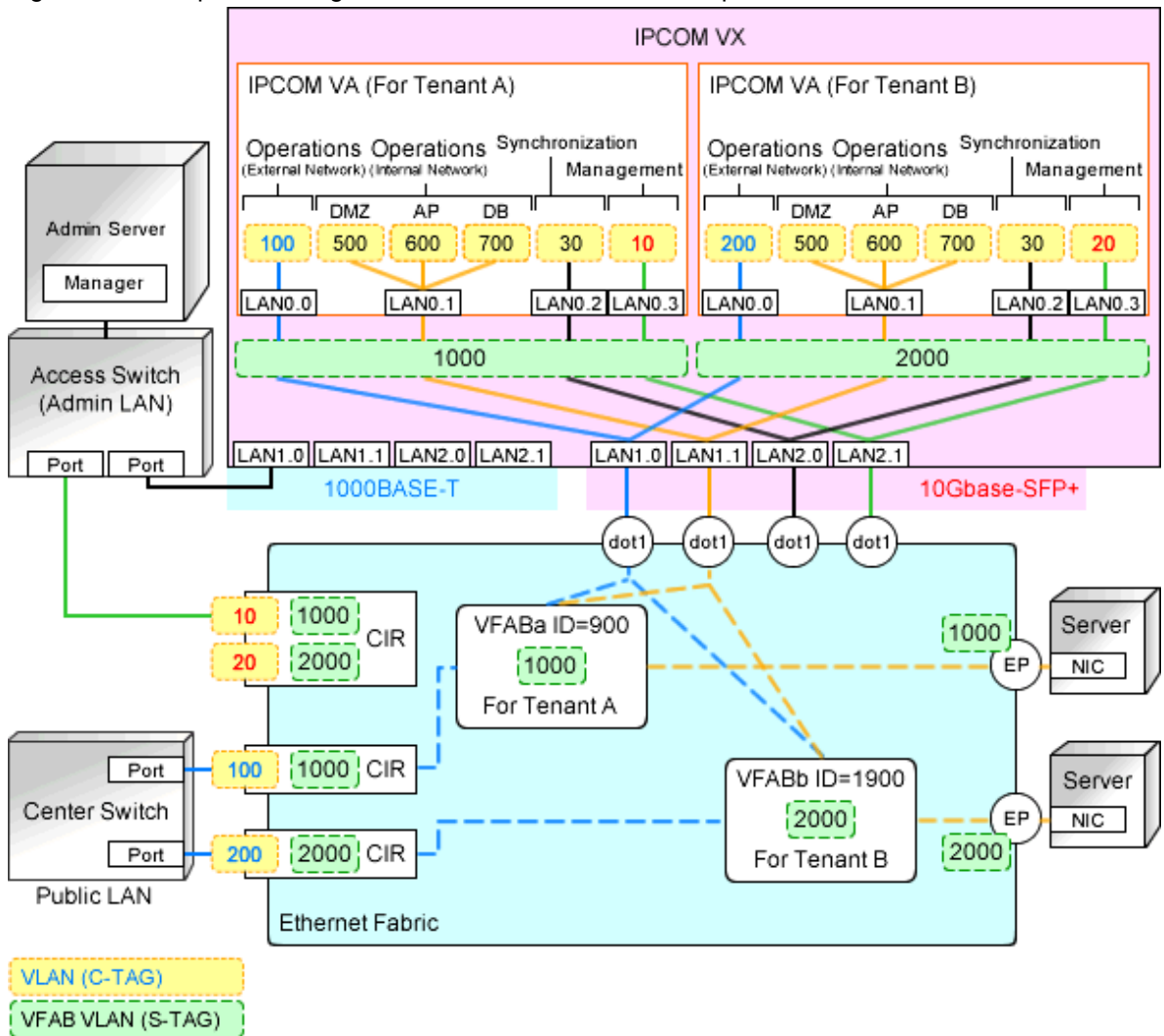
dot1: IEEE802.1ad Frame Communication Port

### Configuration Examples of IPCOM VA and Virtual Fabrics

There are the following two patterns of configuration of IPCOM VA and virtual fabrics:

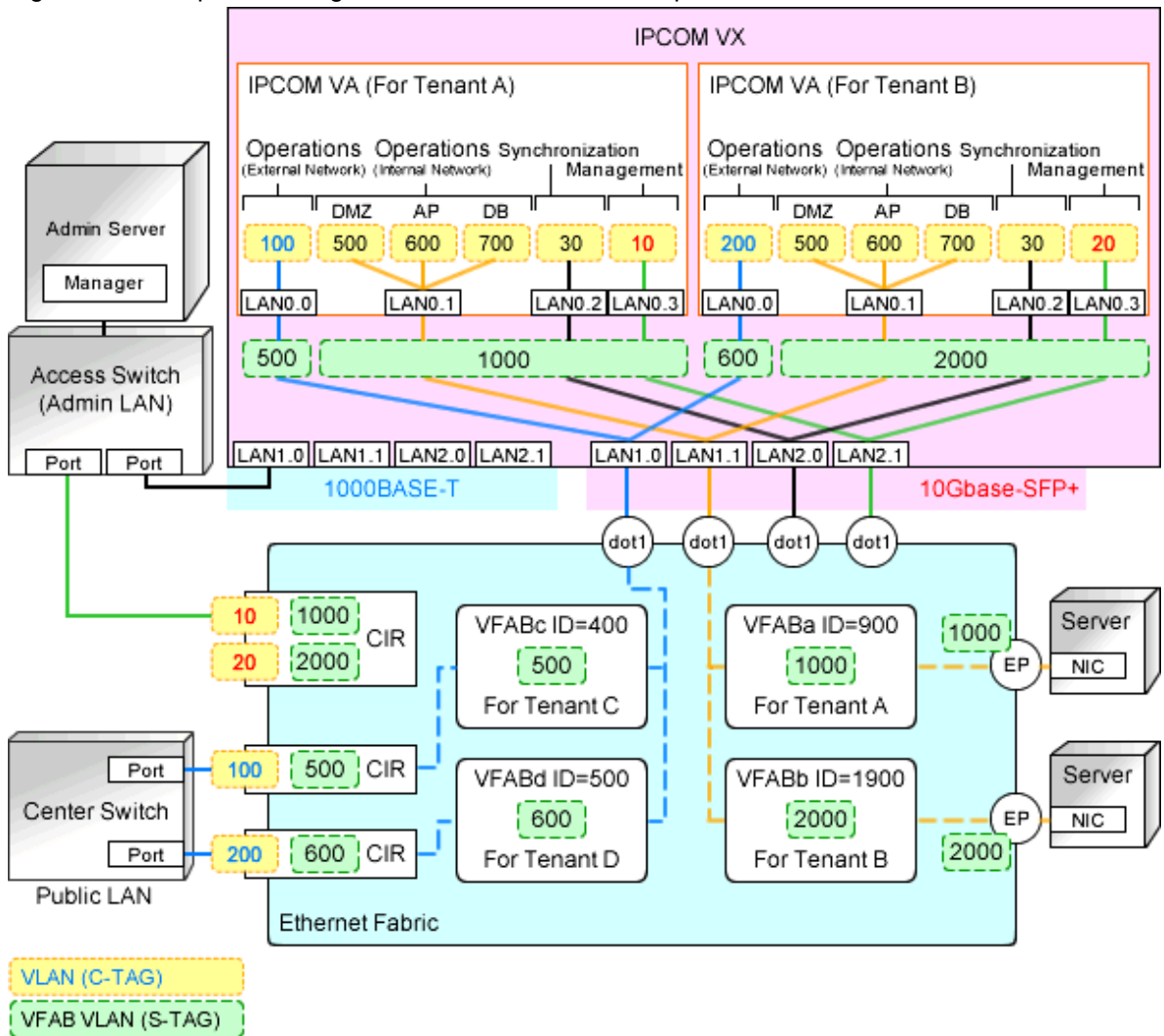
- Link IPCOM VA and virtual fabrics on a one-to-one basis without separating virtual fabrics into external and internal networks  
For the configuration example, refer to "[Figure J.6 Example of Configuration for Virtual Fabrics Not Separated into External and Internal Networks](#)".
- Link IPCOM VA and virtual fabrics on a one-to-*n* basis separating virtual fabrics into external and internal networks  
Use this pattern of configuration when separating external network communication from internal network communication.  
For the configuration example, refer to "[Figure J.7 Example of Configuration for Virtual Fabrics Separated into External and Internal Networks](#)".
- Link IPCOM VA and virtual fabrics on a one-to-*n* basis using virtual fabrics only on an internal network  
Use this pattern of configuration when performing external network communication with an IPCOM VA directly, not through virtual fabrics.  
In order to perform external network communication with an IPCOM VA directly, it is necessary to configure "MAC Address Distribution Mode" for the external network connection port on an IPCOM VX.  
For the configuration example, refer to "[Figure J.8 Example of Configuration for Virtual Fabrics Used only on an Internal Network](#)".

Figure J.6 Example of Configuration for Virtual Fabrics Not Separated into External and Internal Networks



\*Information about the redundant configuration is not shown.

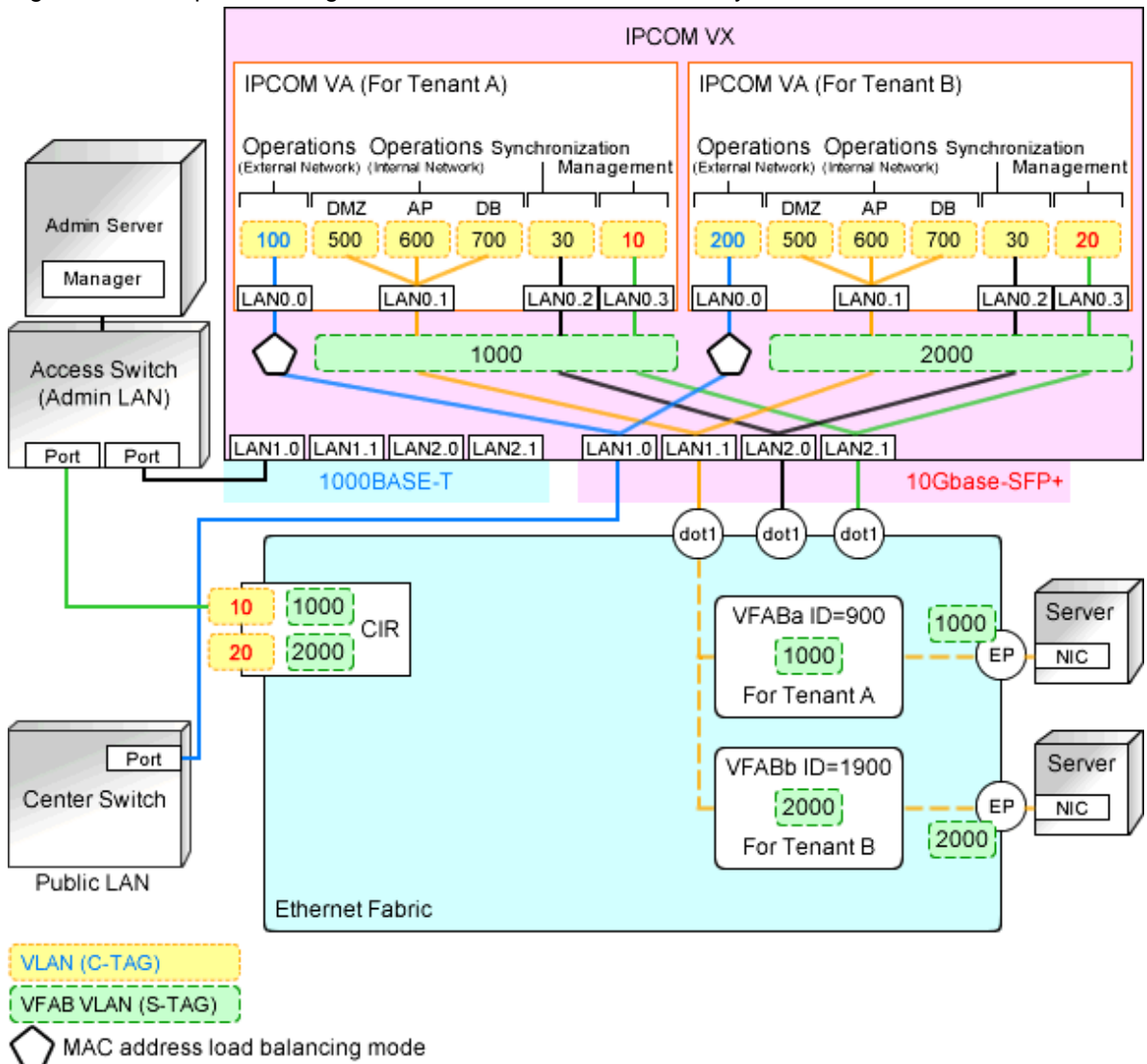
Figure J.7 Example of Configuration for Virtual Fabrics Separated into External and Internal Networks



\*Information about the redundant configuration is not shown.



Figure J.8 Example of Configuration for Virtual Fabrics Used only on an Internal Network



# Appendix K Preparations for Using VDI Coordination

This appendix explains how to perform design and configuration for using VDI coordination.

## K.1 VMware Horizon View

This section explains how to use VMware Horizon View as a VDI management server.

Preparations are required to use VMware Horizon View as a VDI management server of Resource Orchestrator.

For details on the preparations for VMware Horizon View environments, refer to the VMware Horizon View documentation.

### K.1.1 VDI Coordination Function

This section explains the VDI coordination function using VMware Horizon View.

This function enables users to use virtual desktops by registering virtual L-Servers deployed and managed using the admin server of Resource Orchestrator with VDI management software (VMware Horizon View) as virtual desktops, and then allocating them to users.

#### Support Scope

The scope supported by each server is as follows.

Both Japanese and English versions are supported. All virtual desktop OS editions are supported.

Table K.1 Support Scope of Each Server

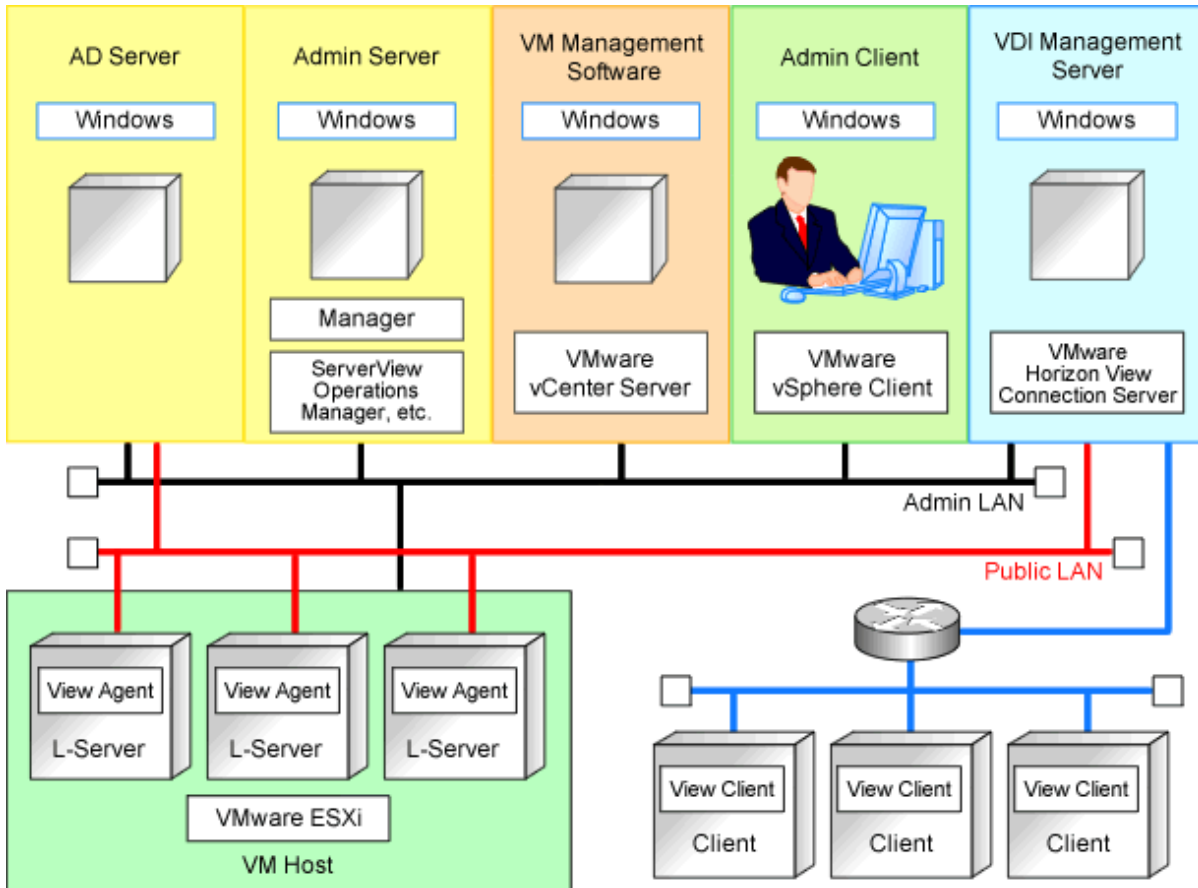
| Target                        | Support Scope   |
|-------------------------------|---|
| Virtualization software       | VMware vSphere 5.1<br>VMware vSphere 5.5  |
| VDI management software       | VMware Horizon View 5.2<br>VMware Horizon View 5.3<br>VMware Horizon 6.0 (with View)  |
| Virtual desktop OS            | Microsoft(R) Windows(R) 7<br>Microsoft(R) Windows(R) 8<br>Microsoft(R) Windows(R) 8.1 |
| Resource Orchestrator manager | Windows manager   |

#### System Configuration

An example of the system configuration for using VMware Horizon View is shown below.

The VDI Management Server must participate in the Active Directory domain.

Figure K.1 System Configuration Example When Using VMware Horizon View



**About the Administrator Account for the VDI Management Server**

The administrator account is not a local account of the server on which the VDI management software is installed. The administrator account must satisfy all of the following conditions:

1. It must be an account of the domain that the VDI management server belongs to
2. It must be a member of the Administrator role for the VDI management software
3. It must be a member of the "Administrators" group of the VDI management server

**Supported VMware Horizon View Functions**

The support scope of the functions provided by VMware Horizon View is as follows:

- Manual pool is only supported as the desktop pool type.
- Linked clones are not supported.
- Local mode is not supported.

**Usage Authorization for VDI Pools**

When making an application to use an L-Platform, a pool with the name defined in the L-Platform template will be created on VMware Horizon View.

This pool is equivalent to the VDI pool.

In order for users to use virtual desktops contained in the created VDI pool, usage authorization must be granted to the VDI pool. By default, the user authorization specified when submitting the L-Platform usage application is given.

A group of an Active Directory domain can also be specified as the authorization given to the VDI pool. When specifying a group of an Active Directory domain, the members of the specified group must include a user of the VDI pool.

## K.1.2 Preparations for Servers

---

In addition to the operations in "[Chapter 8 Defining and Configuring the Server Environment](#)", the following operations are necessary.

### 1. Register vCenter Server

Register the vCenter Server that manages VM hosts for VDI on the admin server of VMware Horizon View.



In order to have VDI management software operate properly using Resource Orchestrator, ensure vCenter Server is registered using the IP address instead of the host name.

### 2. Install vSphere PowerCLI

Install VMware vSphere PowerCLI 6.0 on the management server of VMware Horizon View.

### 3. Place VMware Scripts

- a. The infrastructure administrator places VMware scripts on the VDI management server using the following procedure.

VMware scripts are stored in the following folder of the Resource Orchestrator manager:

[Windows Manager]

*Installation\_folder*\SVROR\Manager\opt\FJSVrcxmr\sys\VMwareViewScript

- AddRemovePoolVms.ps1
- MachineId.ps1

- b. Copy the scripts placed in step a into the following folder of the VDI management server:

*VMware Horizon View installation folder*\extras\PowerShell\

### 4. Configure winrm

Configure Windows remote management for the VDI management server.

Log in to the VDI management server using administrator privileges and execute the following command from the command prompt: Enter "y" when prompted for confirmation.

```
> winrm quickconfig <RETURN>
```

### 5. Configure TrustedHosts

Configure remote management authentication settings on the machine the Resource Orchestrator admin server will be set up.

- a. Log on to the admin server as the administrator.
- b. Execute the following command from the command prompt to record the configuration details for TrustedHosts.

```
> winrm get winrm/config/client <RETURN>
```

Record the displayed details in TrustedHosts.



Display results when multiple VDI Management Servers are registered

192.168.1.100, 192.168.1.101

When a single asterisk ("\*") is displayed, the following procedure is unnecessary as all hosts will be trusted in the configuration.

- c. Execute the following command.

Enter the result obtained from b. for *Recorded\_content\_in\_b*.

```
>winrm set winrm/config/client @{TrustedHosts="Recorded content in b. , Additionally registered VDI management server address" } <RETURN>
```

### Example

The command when multiple VDI Management Servers are registered

```
>winrm set winrm/config/client @{TrustedHosts="192.168.1.100, 192.168.1.101, Additionally registered VDI management server address" } <RETURN>
```

- d. Execute the following command to check the details for TrustedHosts.

```
>winrm get winrm/config/client <RETURN>
```

If the address of the additionally registered VDI management server has been added to the details recorded in b., there are no problems.

### Note

For coordination with multiple VDI management servers, specify the IP addresses of those VDI management servers separated by commas (",") when executing the TrustedHosts registration command.

6. Modify the PowerShell Execution Policy

On the machine where the Resource Orchestrator admin server is setup and on the VDI management server, modify the PowerShell execution policy to "RemoteSigned".

Start the PowerShell console using administrator privileges and execute the following command:

```
>Set-ExecutionPolicy -ExecutionPolicy RemoteSigned <RETURN>
```

### Note

When the VDI management server is not connected to the internet, it takes longer to load the View PowerCLI snap-in used for VDI coordination, which may inhibit creation and deletion of L-Servers.

For this reason, be sure to connect the VDI management server to the Internet.

When it is not possible to connect to the Internet, configure Internet Explorer using the following procedure:

1. Log in to the VDI management server as the administrator of the VDI management server explained in "[K.1.1 VDI Coordination Function](#)".
2. Start Internet Explorer, and uncheck the following check box:

[Internet Options] - [Advanced] tab - [Check for publisher's certificate revocation]