

FUJITSU Software

Systemwalker Desktop Patrol

A decorative horizontal band with a red-to-dark-red gradient, featuring abstract, glowing white and red lines that swirl and intersect, creating a sense of motion and technology.

Centralized Management Guide

Windows

B1WD-3389-01ENZ0(00)
August 2015

Preface

Purpose of this guide

This document explains how to centrally manage Systemwalker Desktop Patrol deployed at sites within and outside Japan.

Intended readers

This document is for readers who use Systemwalker Desktop Patrol to centrally manage asset management systems.

To understand the contents of this guide, the following knowledge is essential.

General knowledge regarding personnel computers

General knowledge regarding Windows

General knowledge regarding the Internet

General knowledge regarding smart devices

Structure of this guide

The structure of this guide is as follows:

[Chapter 1 Operational Configurations](#)

This chapter describes the operational configurations for centralized management.

[Chapter 2 Building the Operating Environment](#)

This chapter explains how to build the environment for centralized management.

[Chapter 3 Functional Differences between the Japanese Version and the Global Version](#)

This chapter describes the functional differences between the Japanese version and the global version of this product.

[Chapter 4 Notes](#)

This chapter provides notes on centralized management.

[Appendix A Reference](#)

This chapter describes the commands and messages.

Symbols used in this guide

This guide uses the following names, symbols and abbreviations for explications.

Symbols used in commands

This subsection describes the symbols used in the examples of commands.

Meaning of symbols

| Symbol | Meaning |
|--------|--|
| [] | Indicates that the items enclosed in these brackets can be omitted. |
| | Indicates that one of the items separated by this symbol should be specified. |
| { } | Indicates that one of the items enclosed in these symbols should be specified. |

Symbols used in this guide

The following symbols are used in this guide.

Meaning of symbols

| Symbol | Meaning |
|----------|---------------------------|
| <i>n</i> | Indicates variable value. |

Note

Indicates an item requires special attention.

Point

Indicates useful information.

DTP installation directory

The directory in which Systemwalker Desktop Patrol CS, Systemwalker Desktop Patrol DS, Systemwalker Desktop Patrol AC, Systemwalker Desktop Patrol ADT, Systemwalker Desktop Patrol CT or Systemwalker Desktop Patrol SS is installed is indicated as the DTP installation directory.

Abbreviations

In this guide, the product names are abbreviated as follows.

| Product Name | Abbreviation |
|------------------------------------|-----------------|
| Systemwalker Desktop Patrol CS | CS |
| Systemwalker Desktop Patrol DS | DS |
| Systemwalker Desktop Patrol AC | AC |
| Systemwalker Desktop Patrol ADT | ADT |
| Systemwalker Desktop Patrol CT | CT |
| Systemwalker Desktop Patrol SS | SS |
| Systemwalker Desktop Patrol Client | Smart device CT |

In this guide, the operating system names are abbreviated as follows.

| Abbreviation | Full Name |
|---------------------------|--|
| Windows Server(R) 2012 R2 | Microsoft(R) Windows Server(R) 2012 R2 Standard Microsoft(R) Windows Server(R) 2012 R2 Essentials Microsoft(R) Windows Server(R) 2012 R2 Foundation Microsoft(R) Windows Server(R) 2012 R2 Datacenter |
| Windows Server(R) 2012 | Microsoft(R) Windows Server(R) 2012 Standard Microsoft(R) Windows Server(R) 2012 Essentials Microsoft(R) Windows Server(R) 2012 Foundation Microsoft(R) Windows Server(R) 2012 Datacenter Microsoft(R) Windows Server(R) 2012 R2 Standard Microsoft(R) Windows Server(R) 2012 R2 Essentials Microsoft(R) Windows Server(R) 2012 R2 Foundation Microsoft(R) Windows Server(R) 2012 R2 Datacenter |
| Windows Server(R) 2008 R2 | Microsoft(R) Windows Server(R) 2008 R2 Foundation Microsoft(R) Windows Server(R) 2008 R2 Standard Microsoft(R) Windows Server(R) 2008 R2 Enterprise |

| Abbreviation | Full Name |
|------------------------|--|
| Windows Server(R) 2008 | Microsoft(R) Windows Server(R) 2008 Foundation Microsoft(R) Windows Server(R) 2008 Standard Microsoft(R) Windows Server(R) 2008 Enterprise Microsoft(R) Windows Server(R) 2008 Standard without Hyper-V(TM) Microsoft(R) Windows Server(R) 2008 Enterprise without Hyper-V(TM) Microsoft(R) Windows Server(R) 2008 R2 Foundation Microsoft(R) Windows Server(R) 2008 R2 Standard Microsoft(R) Windows Server(R) 2008 R2 Enterprise |
| Windows(R) 8.1 | Windows(R) 8.1 Windows(R) 8.1 Pro Windows(R) 8.1 Enterprise |
| Windows(R) 8 | Windows(R) 8 Windows(R) 8 Pro Windows(R) 8 Enterprise Windows(R) 8.1 Windows(R) 8.1 Pro Windows(R) 8.1 Enterprise |
| Windows(R) 7 | Windows(R) 7 Enterprise Windows(R) 7 Ultimate Windows(R) 7 Professional Windows(R) 7 Home Premium |
| Windows Vista(R) | Microsoft(R) Windows Vista(R) Ultimate Microsoft(R) Windows Vista(R) Enterprise Microsoft(R) Windows Vista(R) Business Microsoft(R) Windows Vista(R) Home Premium Microsoft(R) Windows Vista(R) Home Basic Microsoft(R) Windows Vista(R) Ultimate 64-bit Edition Microsoft(R) Windows Vista(R) Enterprise 64-bit Edition Microsoft(R) Windows Vista(R) Business 64-bit Edition Microsoft(R) Windows Vista(R) Home Premium 64-bit Edition Microsoft(R) Windows Vista(R) Home Basic 64-bit Edition |
| Windows | Microsoft(R) Windows Server(R) 2012 R2 Standard Microsoft(R) Windows Server(R) 2012 R2 Essentials Microsoft(R) Windows Server(R) 2012 R2 Foundation Microsoft(R) Windows Server(R) 2012 R2 Datacenter Microsoft(R) Windows Server(R) 2012 Standard Microsoft(R) Windows Server(R) 2012 Essentials Microsoft(R) Windows Server(R) 2012 Foundation Microsoft(R) Windows Server(R) 2012 Datacenter Microsoft(R) Windows Server(R) 2008 Foundation Microsoft(R) Windows Server(R) 2008 Standard Microsoft(R) Windows Server(R) 2008 Enterprise Microsoft(R) Windows Server(R) 2008 Standard without Hyper-V(TM) Microsoft(R) Windows Server(R) 2008 Enterprise without Hyper-V(TM) Microsoft(R) Windows Server(R) 2008 R2 Foundation Microsoft(R) Windows Server(R) 2008 R2 Standard Microsoft(R) Windows Server(R) 2008 R2 Enterprise Windows(R) 8.1 Windows(R) 8.1 Pro Windows(R) 8.1 Enterprise Windows(R) 8 Windows(R) 8 Pro Windows(R) 8 Enterprise Windows(R) 7 Enterprise |

| Abbreviation | Full Name |
|--------------|--|
| | Windows(R) 7 Ultimate Windows(R) 7 Professional Windows(R) 7 Home Premium Microsoft(R) Windows Vista(R) Ultimate Microsoft(R) Windows Vista(R) Enterprise Microsoft(R) Windows Vista(R) Business Microsoft(R) Windows Vista(R) Home Premium Microsoft(R) Windows Vista(R) Home Basic Microsoft(R) Windows Vista(R) Ultimate 64-bit Edition Microsoft(R) Windows Vista(R) Enterprise 64-bit Edition Microsoft(R) Windows Vista(R) Business 64-bit Edition Microsoft(R) Windows Vista(R) Home Premium 64-bit Edition Microsoft(R) Windows Vista(R) Home Basic 64-bit Edition |
| IIS | Internet Information Services 6.0 Internet Information Services 7.0 Internet Information Services 7.5 Internet Information Services 8.0 Internet Information Services 8.5 |
| IE | Microsoft(R) Internet Explorer(R) 6.0 Windows(R) Internet Explorer(R) 7 Windows(R) Internet Explorer(R) 8 Windows(R) Internet Explorer(R) 9 Windows(R) Internet Explorer(R) 10 Windows(R) Internet Explorer(R) 11 |
| Android | Android(TM) 3.0 - Android(TM) 5.0 |
| iOS | iOS 5.0 - iOS 8.1 |

Shortcuts in the Start window of Windows(R) 8 and Windows Server(R) 2012

To check which product a shortcut in the **Start** window is for, right-click the shortcut and click **Open File Location** from the menu at the bottom of the screen. This will open the file location in **Windows Explorer**, where the product name can be checked.

Halfwidth characters

In this guide, the "halfwidth characters to be handled" refer to the following ASCII characters, except in places where limitations for the halfwidth characters that can be used are described.

- Halfwidth spaces
- Halfwidth symbols
! " # \$ % & ' () * + , - . / : ; < = > ? @ [\] ^ _ ` { | } ~
- Halfwidth numbers
0 1 ... 9
- Halfwidth alphabetic characters
A B ... Z
a b ... z

Characters other than the above are treated as fullwidth characters.

Japanese and global versions

This document refers to Systemwalker Desktop Patrol shipped within Japan as the "Japanese version".

This document refers to Systemwalker Desktop Patrol shipped outside Japan as the "global version".

Export management regulations

Exportation/release of this document may require necessary procedures in accordance with the regulations of your resident country and/or US export control laws.

Trademark

Intel, Intel vPro and Centrino are trademarks or registered trademarks of Intel Corporation or its subsidiaries in the United States and other countries.

Microsoft, Windows, Windows NT, Windows Vista, Windows Server, Active Directory and names or product names of other Microsoft's products are registered trademarks of Microsoft Corporation in the United States and other countries

Oracle is the registered trademark of Oracle Corporation.

Symantec, the Symantec logo, and Norton AntiVirus are registered trademarks of Symantec Corporation in the United States.

VirusBuster is registered trademark of Trendmicro Ltd.

VirusScan and NetShield are trademarks or registered trademarks of Network Associate, Inc. or its affiliates.

Google, the Google logo, Android, the Android logo, Google Play, the Google Play logo, Gmail, and the Gmail logo are trademarks or registered trademarks of Google Inc.

Wi-Fi is a registered trademark of Wi-Fi Alliance.

IOS is a trademark or registered trademark of Cisco in the U.S. and other countries and is used under license.

Apple, the Apple logo, and Mac OS are trademarks of Apple Inc., registered in the United States and other countries.

All other trademarks are the property of their respective owners.

Screen shots are used in accordance with Microsoft Corporation's guidelines.

August 2015

| |
|----------------------------|
| First edition, August 2015 |
|----------------------------|

Copyright 2002 - 2015 FUJITSU LIMITED

Contents

| | |
|--|----|
| Chapter 1 Operational Configurations..... | 1 |
| 1.1 Performing Centralized Management with a Japanese Version of CS..... | 1 |
| 1.2 Performing Centralized Management with a Global Version of CS..... | 4 |
| Chapter 2 Building the Operating Environment..... | 7 |
| 2.1 Building an Environment for Performing Centralized Management with the Japanese Version of CS..... | 7 |
| 2.1.1 Performing Centralized Management in a New Installation Environment..... | 7 |
| 2.1.1.1 CS..... | 7 |
| 2.1.1.2 DS..... | 7 |
| 2.1.1.3 SS..... | 8 |
| 2.1.1.4 AC..... | 8 |
| 2.1.1.5 ADT..... | 8 |
| 2.1.1.6 CT..... | 8 |
| 2.1.1.7 Smart Device (Android)..... | 8 |
| 2.1.1.8 Smart Device (iOS)..... | 8 |
| 2.1.2 Performing Centralized Management in an Existing Environment..... | 8 |
| 2.1.2.1 Data Targeted for Combination..... | 8 |
| 2.1.2.2 Procedure for Combining CS Data in the Japanese Version of CS..... | 11 |
| 2.1.3 Software Dictionary After an Upgrade..... | 13 |
| 2.2 Building an Environment for Performing Centralized Management with the Global Version of CS..... | 13 |
| 2.2.1 Performing Centralized Management in a New Installation Environment..... | 13 |
| 2.2.1.1 CS..... | 13 |
| 2.2.1.2 DS..... | 14 |
| 2.2.1.3 SS..... | 14 |
| 2.2.1.4 AC..... | 14 |
| 2.2.1.5 ADT..... | 14 |
| 2.2.1.6 CT..... | 15 |
| 2.2.1.7 Smart Device (Android)..... | 15 |
| 2.2.1.8 Smart Device (iOS)..... | 15 |
| 2.2.2 Performing Centralized Management in an Existing Environment..... | 15 |
| 2.2.2.1 Data Targeted for Combination..... | 15 |
| 2.2.2.2 Procedure for Combining CS Data in the Global Version of CS..... | 18 |
| 2.2.3 Software Dictionary After an Upgrade..... | 20 |
| Chapter 3 Functional Differences between the Japanese Version and the Global Version..... | 21 |
| 3.1 Features not Available in the Global Version..... | 21 |
| 3.2 Features Available According to the Combination of Language Versions..... | 21 |
| 3.2.1 Integrating with AT (MultiPad)/Barcode Label Printing..... | 21 |
| 3.2.2 Displaying Power Consumption Information..... | 22 |
| 3.2.3 Integrating with All-In-One and Regular Printers..... | 24 |
| Chapter 4 Notes..... | 25 |
| 4.1 Notes on Operation..... | 25 |
| 4.2 Connection to an Older Version..... | 26 |
| 4.3 Date and Time..... | 26 |
| Appendix A Reference..... | 28 |
| A.1 Command Reference..... | 28 |
| A.1.1 CSCconnector.exe (Changing Upstream Host)..... | 28 |
| A.2 Message Reference..... | 29 |
| A.2.1 Messages Output by CSCconnector.exe (Changing Upstream Host Command)..... | 29 |

Chapter 1 Operational Configurations

This chapter describes the operational configurations for centralized management.

Using a single CS to manage PCs and smart devices that are deployed both within and outside Japan is called centralized management. There are two operational configurations for centralized management:

- Centralized management using sites in Japan

This operational configuration uses the Japanese version of CS located in Japan to manage PCs and smart devices that are deployed both within and outside Japan.

- Centralized management using sites outside Japan

This operational configuration uses the global version of CS located outside Japan to manage PCs and smart devices that are deployed both within and outside Japan.

1.1 Performing Centralized Management with a Japanese Version of CS

This operational configuration consists of sites in Japan using the Japanese version of CS to perform centralized management.

This section explains how to install each component of Systemwalker Desktop Patrol, and the display locale of each window.

CS

Install CS in Japan from the Japanese version of the installation media.

| OS (locale) | Installation method | Window display |
|-------------|--|----------------|
| Japanese | Install from the Japanese version of the installation media. | Japanese |

SS/AC/DS/CT/ADT

The installation method will be different depending on the location of installation and locale.

The following table shows the relationship between the installation method for each component and the window displays.

| Installation location | OS (locale) | Component | Installation method | Window display |
|-----------------------|---------------------|-----------|--|----------------|
| Japan | Japanese | SS | Install from the Japanese version of the installation media. | Japanese |
| | | AC | | |
| | | DS | Install using the installer downloaded from Web GUI. | Japanese |
| | | CT | | |
| | | ADT | | |
| | Other than Japanese | SS | Install from the global version of the installation media. | English |
| | | AC | | |
| | | DS | | |
| | | CT | | |
| ADT | | | | |
| Outside Japan | Japanese | SS | Install from the global version of the installation media. | English |
| | | AC | | |
| | | DS | | |

| Installation location | OS (locale) | Component | Installation method | Window display |
|-----------------------|---------------------|-----------|--|----------------|
| | | CT | Install from the global version of the installation media. | English |
| | | ADT | | |
| | Other than Japanese | SS | | |
| | | AC | | |
| | | DS | | |
| | | CT | | |
| | | ADT | | |

Web GUI

Windows are displayed according to the language (Japanese in this operational configuration) that you installed on CS, regardless of the locale of the web GUI.

| Browser (locale) | Installation method | Window display |
|---------------------|---------------------|----------------|
| Japanese | - | Japanese |
| Other than Japanese | - | Japanese |

Smart device CT, command mode CT

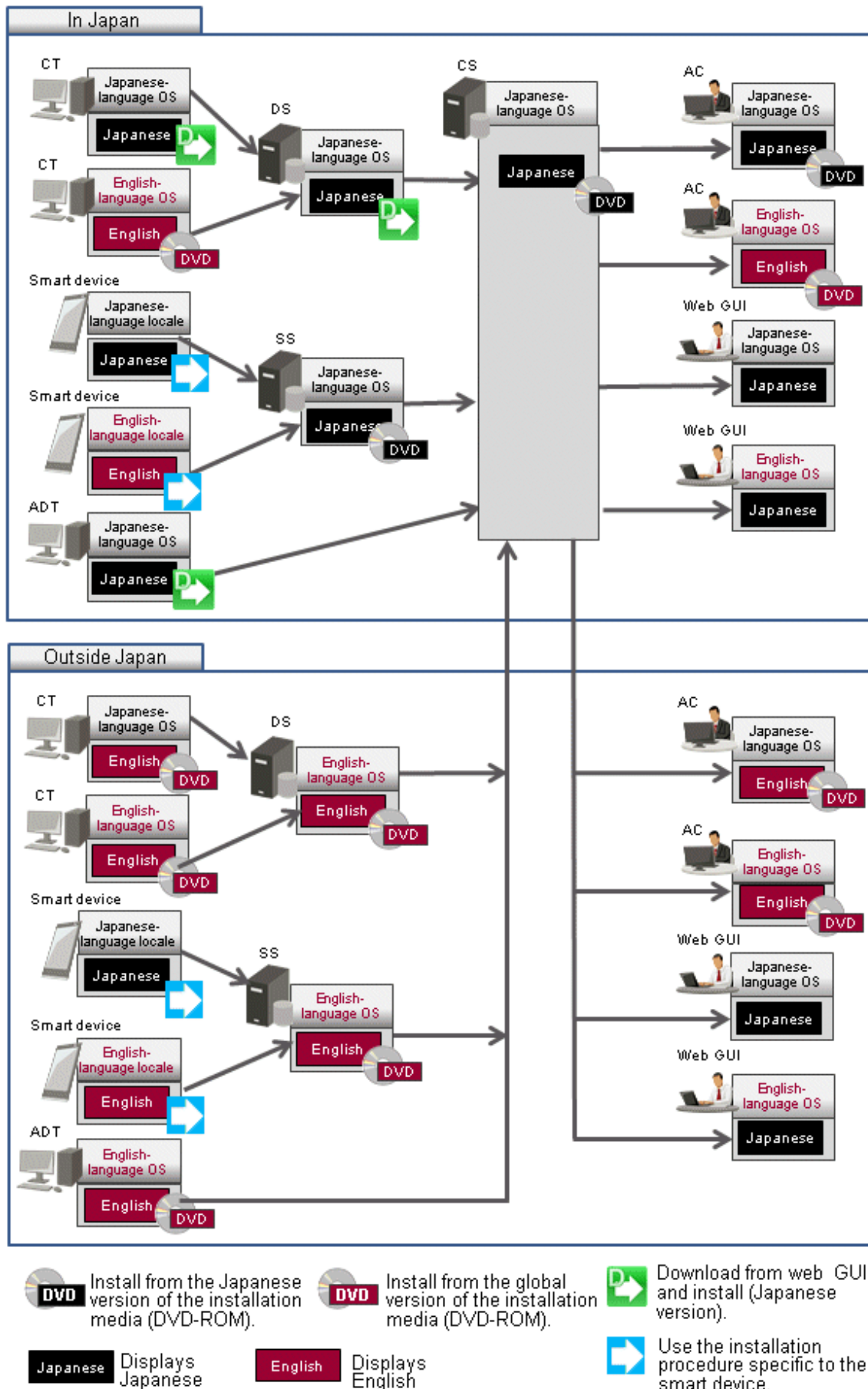
Use the installation procedure below, regardless of the locale.

After installation, windows will be displayed in Japanese or English according to the locale.

| Locale | Component | Installation method | Window display |
|---------------------|-----------------|--|----------------|
| Japanese | Smart device CT | Use the installation procedure specific to the smart device. | Japanese |
| | Command mode CT | Download from CS and use. | |
| Other than Japanese | Smart device CT | Use the installation procedure specific to the smart device. | English |
| | Command mode CT | Download from CS and use. | |

Refer to "[Chapter 2 Building the Operating Environment](#)" for details on the installation procedure specific to the smart device.

Figure 1.1 Operation when performing centralized management with a Japanese version of CS



1.2 Performing Centralized Management with a Global Version of CS

This operational configuration consists of sites outside Japan using the global version of CS to perform centralized management.

This section describes how to install each component of Systemwalker Desktop Patrol, and the display locale of each window.

CS

Install CS outside Japan from the global version of the installation media.

| OS (locale) | Installation method | Window display |
|---------------------|--|----------------|
| Other than Japanese | Install from the global version of the installation media. | English |

SS/AC/DS/CT/ADT

The installation method will be different depending on the location of installation and locale.

The following table shows the relationship between the installation method for each component and the window displays.

| Installation location | OS (locale) | Component | Installation method | Window display |
|-----------------------|---------------------|-----------|--|----------------|
| Outside Japan | Other than Japanese | SS | Install from the global version of the installation media. | English |
| | | AC | | |
| | | DS | Install using the installer downloaded from Web GUI. | |
| | | CT | | |
| | | ADT | | |
| | Japanese | SS | Install from the global version of the installation media. | English |
| | | AC | | |
| | | DS | Install using the installer downloaded from Web GUI. | |
| | | CT | | |
| | | ADT | | |
| Japan | Other than Japanese | SS | Install from the global version of the installation media. | English |
| | | AC | | |
| | | DS | Install using the installer downloaded from Web GUI. | |
| | | CT | | |
| | | ADT | | |
| | Japanese | SS | Install from the Japanese version of the installation media. | Japanese |
| | | AC | | |
| | | DS | | |
| | | CT | | |
| | | ADT | | |

Web GUI

Windows are displayed according to the language (English in this operational configuration) that you installed on CS, regardless of the locale of the web GUI.

| Browser (locale) | Installation method | Window display |
|---------------------|---------------------|----------------|
| Other than Japanese | - | English |
| Japanese | - | English |

Smart device CT, command mode CT

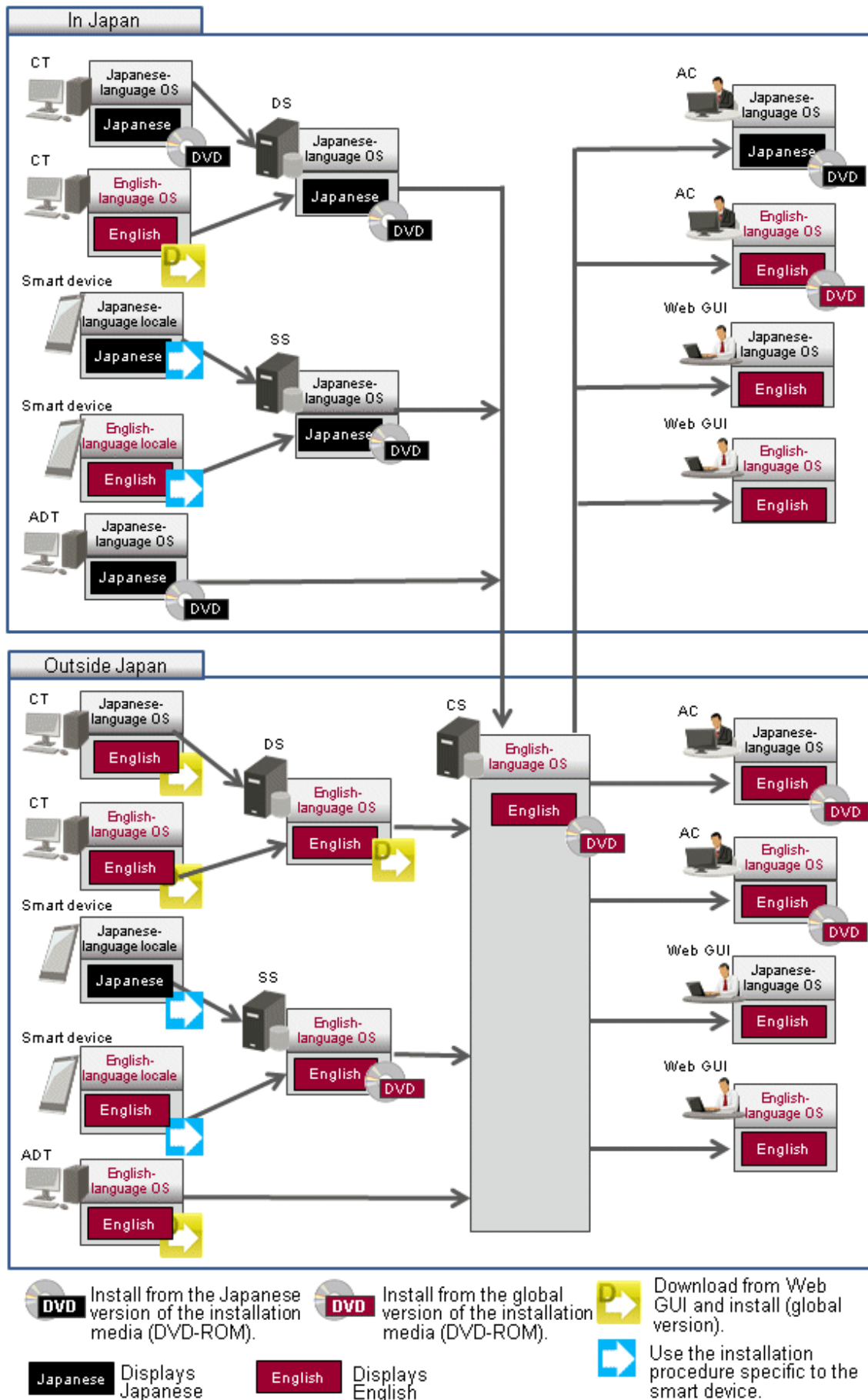
Use the installation procedure below, regardless of the locale.

After installation, windows will be displayed in Japanese or English according to the locale.

| Locale | Component | Installation method | Window display |
|---------------------|-----------------|--|----------------|
| Other than Japanese | Smart device CT | Use the installation procedure specific to the smart device. | English |
| | Command mode CT | Download from CS and use. | |
| Japanese | Smart device CT | Use the installation procedure specific to the smart device. | Japanese |
| | Command mode CT | Download from CS and use. | |

Refer to "[Chapter 2 Building the Operating Environment](#)" for details on the installation procedure specific to the smart device.

Figure 1.2 Operation when performing centralized management with a global version of CS



Chapter 2 Building the Operating Environment

This chapter explains how to build an operating environment for centralized management.



The procedure for applying the Japanese version of urgent updates depends on the system configuration.

Prepare the latest urgent update before constructing the system.

2.1 Building an Environment for Performing Centralized Management with the Japanese Version of CS

This section explains how to build an environment for performing centralized management with the Japanese version of CS.

Refer to "[Chapter 1 Operational Configurations](#)" for details on the relationship between the locale and the installation media.

2.1.1 Performing Centralized Management in a New Installation Environment

This section explains how to build an environment when performing a new installation.

2.1.1.1 CS

Follow the procedure below to build a CS environment:

1. Build CS.
Refer to "Construct CS" in the *Systemwalker Desktop Patrol Installation Guide* for details.
2. Apply the latest urgent update:
 - x86 version: T011672WP-01 or later
 - x64 version: T011673XP-01 or later
3. Switch the file encoding format to UTF-8.

Execute SWDTP_config.exe (switching encoding format command). Refer to the *Systemwalker Desktop Patrol Reference Manual* for details.

2.1.1.2 DS

Refer to "Construct DS" in the *Systemwalker Desktop Patrol Installation Guide* for details on how to install DS using the installer downloaded from Web GUI.

Follow the procedure below to install DS from the global version of the installation media.

1. Copy the following resources required for installation to any folder:

- DS installer (DSSetup.exe)

Located under the following folder on the global version of the installation media:

setup\nocab\installdir\FJSVsbint\module\Windows\ds

- Server environment setup file (ATOOL_policy_ds.zip)

Located under the following folder on CS:

iisHomeFolder\wwwroot\DTP\DS

2. In the command prompt window, navigate to the folder used in step 1 and run the DS installer with the option below:
DSSetup.exe TARGETLANG=en

Refer to "Construct DS" > "Installation using the Wizard" in the *Systemwalker Desktop Patrol Installation Guide* for details.

2.1.1.3 SS

Refer to "Build SS" in the *Systemwalker Desktop Patrol Installation Guide* for details.

2.1.1.4 AC

Refer to "Construct AC" in the *Systemwalker Desktop Patrol Installation Guide* for details.

2.1.1.5 ADT

Refer to "Install ADT" in the *Systemwalker Desktop Patrol Installation Guide* for details on how to install ADT using the installer downloaded from Web GUI.

To install from the global version of the installation media, run the ADT installer (ADTSetup.exe) under the following folder on the installation media:

setup\dtsetup\setupADT

2.1.1.6 CT

Refer to "Install CT" > "Wizard Pattern Installation" in the *Systemwalker Desktop Patrol Installation Guide* for details on how to install CT using the installer downloaded from Web GUI.

Refer to "Install CT" > "Install through CT Kitting Expansion" in the *Systemwalker Desktop Patrol Installation Guide* for details on how to install CT from the global version of the installation media.

2.1.1.7 Smart Device (Android)

Either of the following methods can be used to install smart device CT, regardless of the installation location.

- Using smart device CT distributed by the administrator

Download the apk file of smart device CT from the download menu for the Japanese version of CS, and then distribute it. Refer to "Install Smart Device CT (Android)" > "Use Smart Device CT Distributed by the Administrator" in the *Systemwalker Desktop Patrol Installation Guide* for details.

- Downloading smart device CT from the Internet

The smart device user downloads Systemwalker Desktop Patrol Client from Google Play and installs it. Refer to "Install Smart Device CT (Android)" > "Download Smart Device CT from the Internet" in the *Systemwalker Desktop Patrol Installation Guide* for details.

2.1.1.8 Smart Device (iOS)

Refer to "Install Smart Device CT (iOS)" in the *Systemwalker Desktop Patrol Installation Guide* for details.

2.1.2 Performing Centralized Management in an Existing Environment

This section explains how to build an environment when centralized management will be performed in an existing environment.

To perform centralized management in an existing environment, it is necessary to combine in Japan the data of CSs that are operated within and outside Japan.

2.1.2.1 Data Targeted for Combination

When combining CS, the data targeted for combination is as follows.

Table 2.1 Files on the global version of CS

| File | Storage directory | Method | Implementation timing |
|-------------------------|--|-------------------|--|
| CS operation log | <i>csInstallDir</i> \common\dtpaudit | Back up manually. | When uninstalling the global version of CS. If a backup is not required, this task will not be necessary. |
| CT operation status log | <i>csInstallDir</i> \JFSV\bin\ct_trace | | |
| File collection | <i>csInstallDir</i> \JFSV\bin\collect | | |

Table 2.2 Commands required for combining CSs

| Command | Method | Implementation timing |
|------------------|--|---|
| dtppamtent.exe | <ol style="list-style-type: none"> 1. Execute dtppamtent.exe in both the Japanese and global versions of CS to output the PC information targeted for operation management. 2. Merge the two files output in step 1 into a single file. 3. In the Japanese version of CS, specify the file that was merged in step 2 in dtppamtent.exe to update the PC information targeted for operation management. <p>Refer to the <i>Systemwalker Desktop Patrol Reference Manual</i> for details on dtppamtent.exe.</p> | Step 9 of " 2.1.2.2 Procedure for Combining CS Data in the Japanese Version of CS ". |
| CSCConnector.exe | <p>Execute CSCConnector.exe on the DS installed outside Japan to change the connection destination server to the Japanese version of CS.</p> <p>Refer to "A.1.1 CSCConnector.exe (Changing Upstream Host)" for details.</p> | Step 6 of " 2.1.2.2 Procedure for Combining CS Data in the Japanese Version of CS ". |
| dtppcmst.exe | <p>Execute dtppcmst.exe in the Japanese version of CS, and upload the global version of CT that is to be registered to the policy group.</p> <p>Refer to the <i>Systemwalker Desktop Patrol Reference Manual</i> for details on the command.</p> | <p>Step 5 of "2.1.2.2 Procedure for Combining CS Data in the Japanese Version of CS".</p> <p>If the group type is a "CS" or "DS" policy group, this task is not required.</p> |

Table 2.3 Required window setup (main menu) for combining CSs

| Window | Method | Implementation timing |
|---------------------------|--|--|
| License Management | License Giving | Compare the windows and perform the setup manually. |
| | Current License Management | |
| | License Definition | |
| Distribution | File Distribution (*1) | Compare the windows and perform the setup manually. |
| | Software Distribution (*1) | |
| | Security Patches Distribution (*2) | |
| | Application Distribution [Smart Device] | |
| Smart Devices | Smart devices | Compare the windows for Individually owned settings , and configure manually. |
| Management Ledger | Device Management | <ol style="list-style-type: none"> 1. Download the device and contract information files from the Japanese and global versions of CS. |

| Window | | Method | Implementation timing |
|--------------------------|--------------------------------|---|---|
| | | <p>2. Review the downloaded contract information files.</p> <p>If the contract number in the file downloaded from the global version of CS matches the one in the file downloaded from the Japanese version of CS, then change it so that it is unique.</p> <p>3. Review the downloaded device information files.</p> <p>If the asset management numbers in the file downloaded from the global version of CS match the ones in the file downloaded from the Japanese version of CS, then change them so that they are unique.</p> <p>If the contract number was changed in step 2, then change it in the device information file accordingly.</p> <p>4. If the contract number was changed in step 2, then from the global version of AC, batch register the contract information file.</p> <p>5. If the asset management number was changed in step 3, then from the global version of AC, batch register the device information file.</p> <p>If contract information is not being used, steps relating to contract information do not need to be followed.</p> | <p>are registered to the management ledger.</p> <p>Step 9 of "2.1.2.2 Procedure for Combining CS Data in the Japanese Version of CS".</p> |
| | Contract Management | | |
| | Unregistered Management | Compare the windows and perform the setup manually. | Step 9 of " 2.1.2.2 Procedure for Combining CS Data in the Japanese Version of CS ". |
| Environment Setup | User Management | <p>1. Download the user management, building management, and section management information files from the Japanese and global versions of CS.</p> | Step 9 of " 2.1.2.2 Procedure for Combining CS Data in the Japanese Version of CS ". |
| | Section Management | <p>2. Compare the user ID, building code, and section code in the files downloaded from the Japanese version with the corresponding settings in the files downloaded from the global version, and ensure that they are unique.</p> <p>3. If the building codes match, then change the user management and building management information files downloaded from the global version of CS.</p> <p>4. If the section codes match, then change the user management and section management information files downloaded from the global version of CS.</p> | Step 9 of " 2.1.2.2 Procedure for Combining CS Data in the Japanese Version of CS ". |

| Window | | Method | Implementation timing |
|--------|--|--|--|
| | | 5. If the user IDs match, then change the user management information file downloaded from the global version of CS. 6. Upload the files changed in steps 3 to 5 to the Japanese version of CS. | |
| | Policy Group Management | Compare the windows and perform the setup manually. | After the inventory information has been collected for the applicable PC. |
| | CS/DS Settings and Operation Status | | After the DS information has been registered. |
| | Settings of Software Auditing (*2) | | Step 9 of " 2.1.2.2 Procedure for Combining CS Data in the Japanese Version of CS ". |
| | Option | | Step 9 of " 2.1.2.2 Procedure for Combining CS Data in the Japanese Version of CS ". |

*1: When the files and software already distributed to the global version of CS are set in the Japanese version, they will be redistributed to all CTs. Therefore, configure the distribution settings only for the CTs that you want to distribute to.

*2: The software dictionary will be changed after an upgrade. Refer to "[2.1.3 Software Dictionary After an Upgrade](#)" for details.

Table 2.4 Required window setup (other than main menu) for combining CSs

| Window | Method | Implementation timing |
|--|---|--|
| Event Settings | Compare the windows and perform the setup manually. | Step 9 of " 2.1.2.2 Procedure for Combining CS Data in the Japanese Version of CS ". |
| Products Link Settings | | |
| E-Mail Settings | | |
| Management Ledger Settings | | |
| Scheduling of Automatic Detection | | |

2.1.2.2 Procedure for Combining CS Data in the Japanese Version of CS

Follow the procedure below to combine data of the global version of CS in the Japanese version of CS.

- Upgrade both the Japanese and English environments to V15.1.0 (if the version is already V15.1.0, this task is not required).
 - CS/SS/AC: Upgrade from the installation media
 - DS/CT: Upgrade from the updater

Refer to "Procedures for Version Upgrade through Reinstallation" in the *Systemwalker Desktop Patrol Installation Guide* for details on how to upgrade CS/AC.

Refer to "Procedures for Version Upgrade SS" in the *Systemwalker Desktop Patrol Installation Guide* of the Japanese version for details on how to upgrade SS.

Register the DS/CT updater to both the Japanese and global version of CS when upgrading DS/CT. Refer to "Procedures for Version Upgrade by Applying Updater" in the *Systemwalker Desktop Patrol Installation Guide* for details.

After upgrading both the Japanese and global version of CS/DS, you need to execute CustomPolicy.exe with the -sv.connect.oldEdition option to allow connections from V15.0.1 or earlier versions of DS and CT. Refer to the *Systemwalker Desktop Patrol Reference Manual* for details on the command.

- Apply the latest urgent update to the Japanese version of CS, and distribute the updater to DS:
 - x86 version: T011672WP-01 or later

- x64 version: T011673XP-01 or later

Ensure that the appropriate updater was applied to DS.

3. In the Japanese version of CS, switch the file encoding format to UTF-8.

Execute SWDTP_config.exe (switching encoding format command). Refer to the *Systemwalker Desktop Patrol Reference Manual* for details.

4. Follow the procedure below to check if the user ID and PC name combination of CT is unique.
 - a. Execute dtpinmdl.exe in both the Japanese and global version of CS to output the hardware information.
 - b. Compare the PC name in column 1 and user ID in column 2 of both files that were output.
 - c. If the same user ID and PC name combination are found in step b, use the CT information change tool in conjunction with step 7 to change the information.

Refer to the *Systemwalker Desktop Patrol Reference Manual* for details on dtpinmdl.exe.

5. Create a global version of the policy group in the Japanese version of CS before connecting to the Japanese version. If the group type is a "CS" or "DS" policy group, this task is not required.
 - a. In the main menu of the global version, refer to the **Policy Group Management** window to check the policy group and registered CTs.
 - b. Execute dtppcmst.exe in the Japanese version of CS, and upload the global version of CT that is to be registered to the policy group.
Refer to the *Systemwalker Desktop Patrol Reference Manual* for details on the command.
 - c. In the main menu of the Japanese version, create the same policy group as that for the global version, and register the CTs that were uploaded in step b.
 - d. Compare the windows of the main menu of the global version, and configure the various policies manually.

6. Change the connection destination server name of the DS connected to the global version of CS to the Japanese version of CS.

Execute CSCconnector.exe to change the connection destination server. Refer to "[A.1.1 CSCconnector.exe \(Changing Upstream Host\)](#)" for details.

7. Change the connection destination server name of the CT connected to the global version of CS to the Japanese version of CS.

Use the CT information change tool to change the connection destination server.

The CT information change tool is located in the installation media (DVD-ROM) of this product. Refer to the release note for details on the storage directory and how to use the CT information change tool.

8. Change the connection destination server name of the AC/ADT connected to the global version of CS to the Japanese version of CS.

Refer to "Install AC" > "Modify the settings of connection target server after installation" in the *Systemwalker Desktop Patrol Installation Guide* for details on AC.

Refer to "Install ADT" > "Issues to be confirmed before installation" in the *Systemwalker Desktop Patrol Installation Guide* for details on ADT.

9. Execute the required commands and set up the required windows for combination.

Use the method described in the "[2.1.2.1 Data Targeted for Combination](#)" table.

10. Restore files from the collection of files backed up from the global version of CS to the Japanese version of CS.

11. Execute CustomPolicy.exe with the -cl.recollect.inventory option to instruct inventory re-collection for all CTs.

Refer to the *Systemwalker Desktop Patrol Reference Manual* for details on the command.

12. If managing smart devices (Android/iOS), the following task is also necessary.

- a. Follow the procedure below to combine the CS environments:

1. Compare **Smart Devices > Individually owned settings**, as described in the "Required window setup (main menu) for combining CSs" table of "[2.1.2.1 Data Targeted for Combination](#)", and configure manually.

2. If managing iOS devices using the global version of CS, and you will use an iOS management database in the Japanese version of CS, construct an iOS management database (you do not need to construct this if using an iOS management database of Systemwalker Desktop Keeper).
- b. Follow the procedure below to change the SS environment:
1. Upgrade the Japanese version of SS (if the version is already V15.1.0, this task is not required).
 2. Make the changes below.
 Before making the changes, execute SWDTP_ctrl.exe (batch starting/stopping command) to stop Systemwalker Desktop Patrol, and after making the changes, execute SWDTP_ctrl.exe again to restart Systemwalker Desktop Patrol.
 - Execute swss_config.exe (SS environment setup command) to configure the CS-related settings (option starting with /cs) in order to change the connection destination of the SS connected to the global version of CS.
 - If managing iOS devices using the global version of CS, execute swss_config.exe (SS environment setup command) to change the iOS management database-related settings (option starting with /iOSmgr) in order to change the connection destination of the SS connected to the global version of the iOS management database. After making the changes, run swss_ImportAppleCert.bat (registering Apple Inc. certificates command) to install the MDM certificate prepared using the procedure in "Advance Preparation" of the *Systemwalker Desktop Patrol Installation Guide*.
- c. If managing smart devices (Android), start the smart device CT on the Android device, and tap **Synchronize now** to synchronize with SS.
- d. If managing iOS devices, uninstall the smart device CT, and then reinstall it.



Point

Switching the encoding format to UTF-8

In V15.1.0 of the Japanese version of Systemwalker Desktop Patrol, Shift JIS is the default file encoding format used for file uploading or command input/output.

If using centralized management, characters of many languages not supported by Shift JIS are handled, so it will be necessary to switch the encoding format of I/O files to UTF-8.

Execute SWDTP_config.exe (switching encoding format command).

2.1.3 Software Dictionary After an Upgrade

After the upgrade, security patches dependent on English and Chinese (simplified) will be displayed. The devices for which the security patches will be used for audit and applied need to be marked.

2.2 Building an Environment for Performing Centralized Management with the Global Version of CS

This section explains how to build an environment for performing centralized management with the global version of CS.

Refer to "[Chapter 1 Operational Configurations](#)" for details on the relationship between the locale and the installation media.

2.2.1 Performing Centralized Management in a New Installation Environment

This section explains how to build an environment for performing centralized management in a new installation environment.

2.2.1.1 CS

Refer to "Construct CS" in the *Systemwalker Desktop Patrol Installation Guide* for details.

If constructing an environment for the Japanese version of DS or CT, register and distribute the updater stored in the global version of the installation media to the global version of CS. Refer to "Procedures for Version Upgrade by Applying Updater" in the *Systemwalker Desktop Patrol Installation Guide* for details.

2.2.1.2 DS

Refer to "Construct DS" in the *Systemwalker Desktop Patrol Installation Guide* for details on how to install DS using the installer downloaded from Web GUI.

Follow the procedure below to install DS from the Japanese version of the installation media.

1. Copy the following resources required for installation to any folder:

- DS installer (DSSetup.exe)

Located under the following folder on the Japanese version of the installation media:

setup\nocab\installdir\FJSVsbint\module\Windows\ds

- Server environment setup file (ATOOL_policy_ds.zip)

Located under the following folder on CS.

iisHomeFolder\wwwroot\DTP\DS

2. In the command prompt window, navigate to the folder used in step 1 and run the DS installer with the option below:
DSSetup.exe TARGETLANG=ja

Refer to "Construct DS" > "Installation using the Wizard" in the *Systemwalker Desktop Patrol Installation Guide* for details.

Install the Japanese version of DS, and then follow the procedure below.

1. Confirm the distribution status of the DS updater.

The DS updater is distributed to the installed DS. Confirm the distribution status of the DS updater.

In the main menu, click **Distribution > Software Distribution**, and select the DS updater. Check that **Distribution Preparation Status** has changed to **NO ERROR (Completed apply)**.

2. Synchronize the software dictionary between CS and DS.

In the main menu, click **Environment Setup > Software Auditing**.

In **Select Software Dictionary Group** displayed on the left side of the window, click **Software Dictionary > Software > FUJITSU > CT**.

From the list of software displayed on the right side, select one of the check boxes in **Auditing**, and then clear it - this will enable **Apply** in the top right of the window.

Click **Apply**.



The software dictionary is synchronized every five minutes. If a CT is connected to DS before synchronization, a client policy receive error will occur on the CT.

2.2.1.3 SS

Refer to "Build SS" in the *Systemwalker Desktop Patrol Installation Guide* for details.

2.2.1.4 AC

Refer to "Construct AC" in the *Systemwalker Desktop Patrol Installation Guide* for details.

2.2.1.5 ADT

Refer to "Install ADT" in the *Systemwalker Desktop Patrol Installation Guide* for details on how to install ADT using the installer downloaded from Web GUI.

To install from the Japanese version of the installation media, run the ADT installer (ADTSetup.exe) under the following folder on the installation media:

setup\dtsetup\setupADT

2.2.1.6 CT

Refer to "Install CT" > "Wizard Pattern Installation" in the *Systemwalker Desktop Patrol Installation Guide* for details on how to install CT using the installer downloaded from Web GUI.

Refer to "Install CT" > "Install through CT Kitting Expansion" in the *Systemwalker Desktop Patrol Installation Guide* for details on how to install CT from the Japanese version of the installation media.

2.2.1.7 Smart Device (Android)

Either of the following methods can be used to install smart device CT, regardless of the installation location.

- Using smart device CT is distributed by the administrator

Download the apk file of smart device CT from the download menu for the global version of CS, and then distribute it. Refer to "Install Smart Device CT (Android)" > "Use Smart Device CT Distributed by the Administrator" in the *Systemwalker Desktop Patrol Installation Guide* for details.

- Downloading smart device CT from the Internet

The smart device user downloads Systemwalker Desktop Patrol Client from Google Play and installs it. Refer to "Install Smart Device CT (Android)" > "Download Smart Device CT from the Internet" in the *Systemwalker Desktop Patrol Installation Guide* for details.

2.2.1.8 Smart Device (iOS)

Refer to "Install Smart Device CT (iOS)" in the *Systemwalker Desktop Patrol Installation Guide* for details.

2.2.2 Performing Centralized Management in an Existing Environment

This section explains how to build an environment when centralized management will be performed in an existing environment.

To perform centralized management in an existing environment, it is necessary to combine outside Japan the data of CS operated within and outside Japan.

2.2.2.1 Data Targeted for Combination

When combining CS, the data targeted for combination is as follows.

Table 2.5 Files on the Japanese version of CS

| File | Storage directory | Method | Implementation timing |
|-------------------------|--|-------------------|--|
| CS operation log | <i>csInstallDir</i> \common\dtppaudit | Back up manually. | When uninstalling the Japanese version of CS. If a backup is not required, this task will not be necessary. |
| CT operation status log | <i>csInstallDir</i> \JSV\sbin\ct_trace | | |
| File collection | <i>csInstallDir</i> \FJSV\sbin\collect | | |

Table 2.6 Commands required for combining CSs

| Command | Method | Implementation timing |
|----------------|---|--|
| dtppamtent.exe | <ol style="list-style-type: none">1. Execute dtppamtent.exe in both the global and Japanese version of CS to output the PC information targeted for operation management.2. Merge the two files output in step 1 into a single file.3. In the global version of CS, specify the file that was merged in step 2 in dtppamtent.exe to update the PC information targeted for operation management. <p>Refer to the <i>Systemwalker Desktop Patrol Reference Manual</i> for details on dtppamtent.exe.</p> | Step 9 of " 2.2.2.2 Procedure for Combining CS Data in the Global Version of CS ". |

| Command | Method | Implementation timing |
|------------------|---|--|
| CSCconnector.exe | Execute CSCconnector.exe on the DS installed within Japan to change the connection destination server to the global version of CS. Refer to "A.1.1 CSCconnector.exe (Changing Upstream Host)" for details. | Step 6 of "2.2.2.2 Procedure for Combining CS Data in the Global Version of CS". |
| dtppcmst.exe | Execute dtppcmst.exe in the global version of CS, and upload the Japanese version of CT that is to be registered to the policy group. Refer to the <i>Systemwalker Desktop Patrol Reference Manual</i> for details on the command. | Step 5 of "2.2.2.2 Procedure for Combining CS Data in the Global Version of CS". If the group type is a "CS" or "DS" policy group, this task is not required. |

Table 2.7 Required window setup (main menu) for combining CSs

| Window | | Method | Implementation timing |
|---------------------------|--|---|--|
| License Management | License Giving | Compare the windows and perform the setup manually. | Setup is performed after the inventory information has been collected for the applicable PC. |
| | Current License Management | | Step 9 of "2.2.2.2 Procedure for Combining CS Data in the Global Version of CS". |
| | License Definition | | Step 9 of "2.2.2.2 Procedure for Combining CS Data in the Global Version of CS". |
| Distribution | File Distribution (*1) | Compare the windows and perform the setup manually. | Setup is performed after the inventory information has been collected for the applicable PC. |
| | Software Distribution (*1) | | |
| | Security Patches Distribution (*2) | | |
| | Application Distribution [Smart Device] | | |
| Smart Devices | Smart devices | Compare the windows for Individually owned settings , and configure manually | Step 12 of "2.2.2.2 Procedure for Combining CS Data in the Global Version of CS". |
| Management Ledger | Device Management | <ol style="list-style-type: none"> Download the device and contract information files from the Japanese and global versions of CS. Review the downloaded contract information files. If the contract number in the file downloaded from the Japanese version of CS matches the one in the file downloaded from the global version of CS, then change it so that it is unique. Review the downloaded device information files. If the asset management numbers in the file downloaded from the Japanese | After the inventory information is collected from the applicable PC and devices are registered to the management ledger. |
| | Contract Management | | Step 9 of "2.2.2.2 Procedure for Combining CS Data in the Global Version of CS". |

| Window | | Method | Implementation timing |
|--------------------------|--------------------------------|--|--|
| | | <p>version of CS match the ones in the global version of CS, then change them so that they are unique.</p> <p>If the contract number was changed in step 2, then change it in the device information file accordingly.</p> <p>4. If the contract number was changed in step 2, then from the Japanese version of AC, batch register the contract information file.</p> <p>5. If the asset management number was changed in step 3, then from the Japanese version of AC, batch register the device information file.</p> <p>If contract information is not being used, steps relating to contract information do not need to be followed.</p> | |
| | Unregistered Management | Compare the windows and perform the setup manually. | Step 9 of " 2.2.2.2 Procedure for Combining CS Data in the Global Version of CS ". |
| Environment Setup | User Management | <ol style="list-style-type: none"> 1. Download the user management, building management, and section management information files from the Japanese and global versions of CS. 2. Compare the user ID, building code, and section code in the files downloaded from the Japanese version with the corresponding settings in the files downloaded from the global version, and ensure that they are unique. 3. If the building codes match, then change the user management and building management information files downloaded from the Japanese version of CS. 4. If the section codes match, then change the user management and section management information files downloaded from the Japanese version of CS. 5. If the user IDs match, then change the user management information file downloaded from the Japanese version of CS. 6. Upload the files changed in steps 3 to 5 to the global version of CS. | Step 9 of " 2.2.2.2 Procedure for Combining CS Data in the Global Version of CS ". |
| | Section Management | | Step 9 of " 2.2.2.2 Procedure for Combining CS Data in the Global Version of CS ". |
| | Policy Group Management | Compare the windows and perform the setup manually. | After the inventory information has been collected for the applicable PC. |

| Window | | Method | Implementation timing |
|--------|--|--------|--|
| | CS/DS Settings and Operation Status | | After the DS information has been registered. |
| | Settings of Software Auditing (*2) | | Step 9 of " 2.2.2.2 Procedure for Combining CS Data in the Global Version of CS ". |
| | Option | | Step 9 of " 2.2.2.2 Procedure for Combining CS Data in the Global Version of CS ". |

*1: If set in the global version of CS for files or software already distributed to the Japanese version of CS, they will be redistributed to all CTs. Therefore, configure the distribution settings only for the CTs that you want to distribute to.

*2: The software dictionary will be changed after an upgrade. Refer to "[2.2.3 Software Dictionary After an Upgrade](#)" for details.

Table 2.8 Required window setup (other than main menu) for combining CSs

| Window | Method | Implementation timing |
|--|---|--|
| Event Settings | Compare the windows and perform the setup manually. | Step 9 of " 2.2.2.2 Procedure for Combining CS Data in the Global Version of CS ". |
| Products Link Settings | | |
| E-Mail Settings | | |
| Management Ledger Settings | | |
| Scheduling of Automatic Detection | | |

2.2.2.2 Procedure for Combining CS Data in the Global Version of CS

Follow the procedure below to combine data of the Japanese version of CS in the global version of CS.

- Upgrade both the Japanese and English environments to V15.1.0 (if the version is already V15.1.0, this task is not required).
 - CS/SS/AC: Upgrade from the installation media
 - DS/CT: Upgrade from the updater

Refer to "Procedures for Version Upgrade through Reinstallation" in the *Systemwalker Desktop Patrol Installation Guide* for details on how to upgrade CS/AC.

Refer to "Procedures for Version Upgrade SS" in the *Systemwalker Desktop Patrol Installation Guide* of Japanese version for details on how to upgrade SS.

Register the DS/CT updater to both the English and Japanese version of CS when upgrading DS/CT. Refer to "Procedures for Version Upgrade by Applying Updater" in the *Systemwalker Desktop Patrol Installation Guide* for details.

After upgrading both the English and Japanese version of CS/DS, you need to execute CustomPolicy.exe with the -sv.connect.oldEdition option to allow connections from V15.0.1 or earlier versions of DS and CT. Refer to the *Systemwalker Desktop Patrol Reference Manual* for details on the command.

- Apply the latest urgent update to the Japanese version of CS, and distribute the updater to DS:
 - x86 version: T011672WP-01 or later
 - x64 version: T011673XP-01 or later

Ensure that the appropriate updater was applied to DS.

- In the Japanese version of CS, switch the file encoding format to UTF-8.

Execute SWDTP_config.exe (switching encoding format command). Refer to the *Systemwalker Desktop Patrol Reference Manual* for details.

- Follow the procedure below to check if the user ID and PC name combination of CT is unique.

- Execute dtpinvdl.exe in both the English and Japanese version of CS to output the hardware information.

- b. Compare the PC name in column 1 and user ID in column 2 of both files that were output.
- c. If the same user ID and PC name combination are found in step b, use the CT information change tool in conjunction with step 7 to change the information.

Refer to the *Systemwalker Desktop Patrol Reference Manual* for details on dtpinmdl.exe.

5. Create a Japanese version of the policy group in the global version of CS before connecting to the global version. If the group type is a "CS" or "DS" policy group, this task is not required.
 - a. In the main menu of the Japanese version, refer to the **Policy Group Management** window to check the policy group and registered CTs.
 - b. Execute dtpmcmst.exe in the global version of CS, and upload the Japanese version of CT that is to be registered to the policy group.
Refer to the *Systemwalker Desktop Patrol Reference Manual* for details on the command.
 - c. In the main menu of the global version, create the same policy group as that for the Japanese version, and register the CTs that were uploaded in step b.
 - d. Compare the windows of the main menu of the Japanese version, and configure the various policies manually.
6. Change the connection destination server name of the DS connected to the Japanese version of CS to the global version of CS.
Execute CSCconnector.exe to change the connection destination server. Refer to "[A.1.1 CSCconnector.exe \(Changing Upstream Host\)](#)" for details.
7. Change the connection destination server name of the CT connected to the Japanese version of CS to the global version of CS.
Use the CT information change tool to change the connection destination server.
The CT information change tool is located in the installation media (DVD-ROM) of this product. Refer to the release note for details on the storage directory and how to use the CT information change tool.
8. Change the connection destination server name of the AC/ADT connected to the Japanese version of CS to the global version of CS.
Refer to "Install AC" > "Modify the settings of connection target server after installation" in the *Systemwalker Desktop Patrol Installation Guide* for details on AC.
Refer to "Install ADT" > "Issues to be confirmed before installation" in the *Systemwalker Desktop Patrol Installation Guide* for details on ADT.
9. Execute the required commands and set up the required windows for combination.
Use the method described in the "[2.2.2.1 Data Targeted for Combination](#)" table.
10. Restore files from the collection of files backed up from the Japanese version of CS to the global version of CS.
11. Execute CustomPolicy.exe with the -cl.recollect.inventory option to instruct inventory re-collection for all CTs.
Refer to the *Systemwalker Desktop Patrol Reference Manual* for details on the command.
12. If managing smart devices (Android/iOS), the following task is also necessary.
 - a. Follow the procedure below to combine the CS environments:
 1. Compare **Smart Devices > Individually owned settings**, as described in the "Required window setup (main menu) for combining CSs" table of "[2.2.2.1 Data Targeted for Combination](#)", and configure manually.
 2. If managing iOS devices using the Japanese version of CS, and you will use an iOS management database in the global version of CS, construct an iOS management database (you do not need to construct this if using an iOS management database of Systemwalker Desktop Keeper).
 - b. Follow the procedure below to change the SS environment:
 1. Upgrade the Japanese version of SS (if the version is already V15.1.0, this task is not required).

2. Make the changes below.

Before making the changes, execute SWDTP_ctrl.exe (batch starting/stopping command) to stop Systemwalker Desktop Patrol, and after making the changes, execute SWDTP_ctrl.exe again to restart it.

- Execute swss_config.exe (SS environment setup command) to configure the CS-related settings (option starting with /cs) in order to change the connection destination of the SS connected to the Japanese version of CS.

- If managing iOS devices using the Japanese version of CS, execute swss_config.exe (SS environment setup command) to change the iOS management database-related settings (option starting with /iOSmgr) in order to change the connection destination of the SS connected to the Japanese version of the iOS management database. After making the changes, run swss_ImportAppleCert.bat (registering Apple Inc. certificates command) to install the MDM certificate prepared using the procedure in "Advance Preparation" of the *Systemwalker Desktop Patrol Installation Guide*.

c. If managing smart devices (Android), start the smart device CT on the Android device, and tap **Synchronize now** to synchronize with SS.

d. If managing iOS devices, uninstall the smart device CT, and then reinstall it.

 **Point**

Switching the encoding format to UTF-8

In V15.1.0 of the Japanese version of Systemwalker Desktop Patrol, Shift JIS is the default file encoding format used for file uploading or command input/output.

If performing centralized management, characters of many languages not supported by Shift JIS are handled, so it will be necessary to switch the encoding format of I/O files to UTF-8.

Execute SWDTP_config.exe (switching encoding format command).

2.2.3 Software Dictionary After an Upgrade

After the upgrade, depending on the type of software dictionary that was used in the old version, the security patches that are displayed in V15.0.1 or earlier differ from those displayed in V15.1.0 as described below.

If the Japanese-English, Japanese-Chinese, and 3-language versions of the software dictionary were used

In environments that use the English-Japanese and Japanese-Chinese dictionaries, security patches compatible with languages not included in old versions of the dictionary are now displayed. Moreover, security patches not dependent on language are now displayed in line with the group to which they belong.

 **Note**

The software is displayed in line with the group of security patches not dependent on language, so by adding a distribution check to a single security patch, security patches will be applied in CTs of multilingual environments. If there is an environment where you do not want security patches to be applied, it will be necessary to perform one of the following before the upgrade:

- a. Prepare a DS with patch distribution stopped, and switch the connection server of the target CT to the DS
To stop distribution of patches, execute CustomPolicy.exe.
- b. Create a policy group, configure the basic operation policy so that patches will not be applied, and register the target CT
- c. Create a policy group, select the patch that you will not apply in the patch application policy, and register the target CT

If the global version of the software dictionary was used

After the upgrade, security patches dependent on Japanese and Chinese (simplified) will be displayed. The devices for which the security patches will be used for audit and applied need to be marked.

Chapter 3 Functional Differences between the Japanese Version and the Global Version

This chapter describes the functional differences between the Japanese version and the global version.

3.1 Features not Available in the Global Version

The following table lists the features not available in the global version.

| No. | Feature | Notes |
|-----|--|---|
| 1 | Disk erasing (disposal management) | |
| 2 | Automatically updating the software dictionary | Updates must be performed manually in the global version. |
| 3 | Integrating with other products (Systemwalker Desktop Encryption, Systemwalker Desktop Inspection) | |
| 4 | Displaying/operating PCs that support CLEARSURE | |
| 5 | Handling security information (Desktop Encryption information) of the inventory information | |
| 6 | Integrating with AT (MultiPad)/barcode label printing | |
| 7 | Displaying power consumption information | Charges are not displayed in the global version. |
| 8 | Integrating with all-in-one and regular printers | |

3.2 Features Available According to the Combination of Language Versions

The following table shows the scope of features that are available depending on the combination of language versions of the CS and the client.

| CS version | AC/CT version | Scope of features available |
|------------------|-----------------------|---|
| Japanese version | Japanese version | All features of the Japanese version are available. |
| | Global version | Only features of the global version are available. |
| Global version | Japanese version (*1) | |
| | Global version | |

*1: On Japanese versions of AC/CT that connect to global versions of CS, some features are not available. Refer to the following descriptions for details on features not available.

3.2.1 Integrating with AT (MultiPad)/Barcode Label Printing

When the Japanese version of AC is used with the global version of CS, the following menu is not displayed, and AT features are not available.

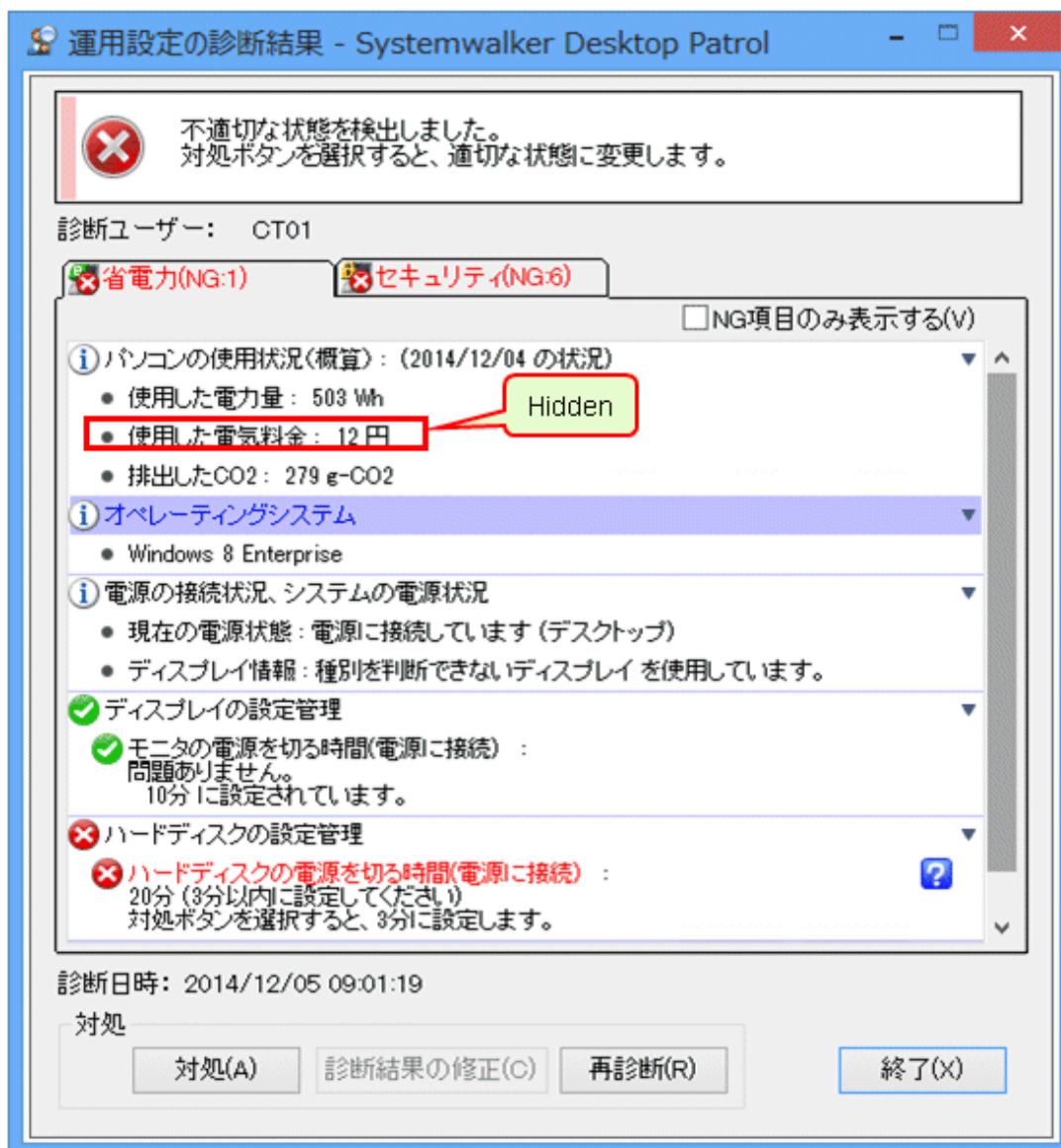


3.2.2 Displaying Power Consumption Information

Power consumption information is displayed in the **Diagnosis result of power saving** window of CT and in Power Consumption Status of AC. When the Japanese version of CT/AC is used with the global version of CS, the information is displayed as shown below.

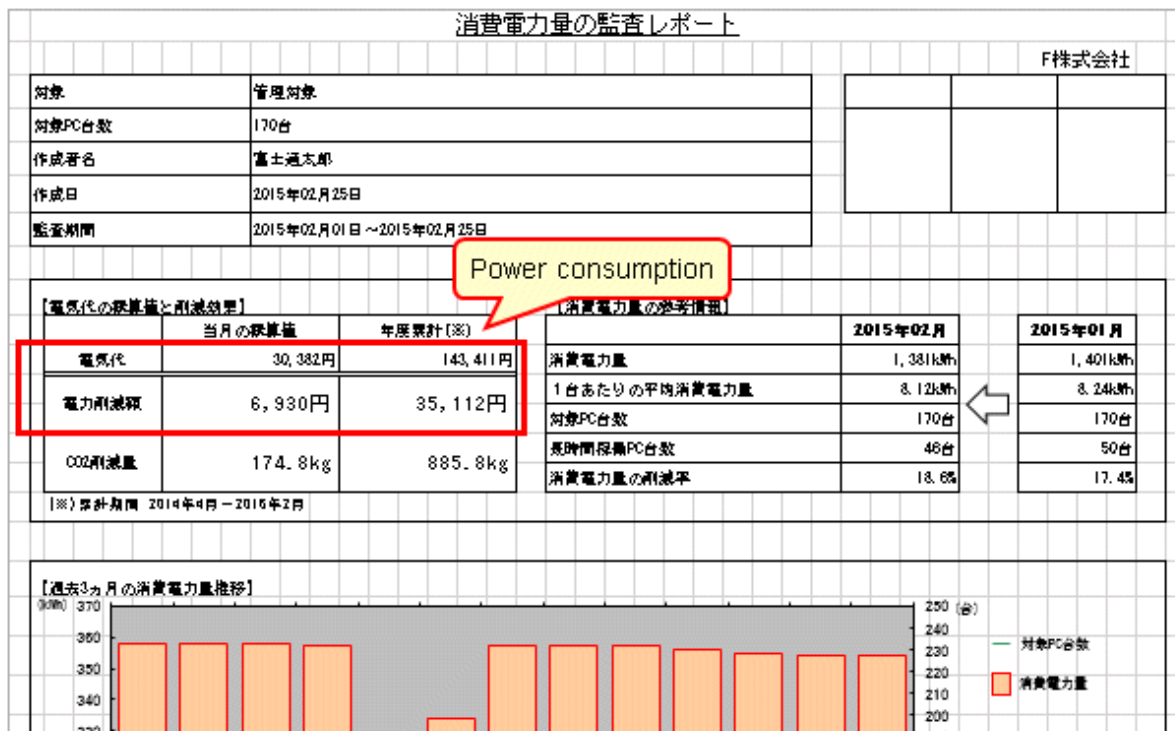
Diagnosis result of power saving window

The power consumption charge is not displayed, in the same manner as the global version.



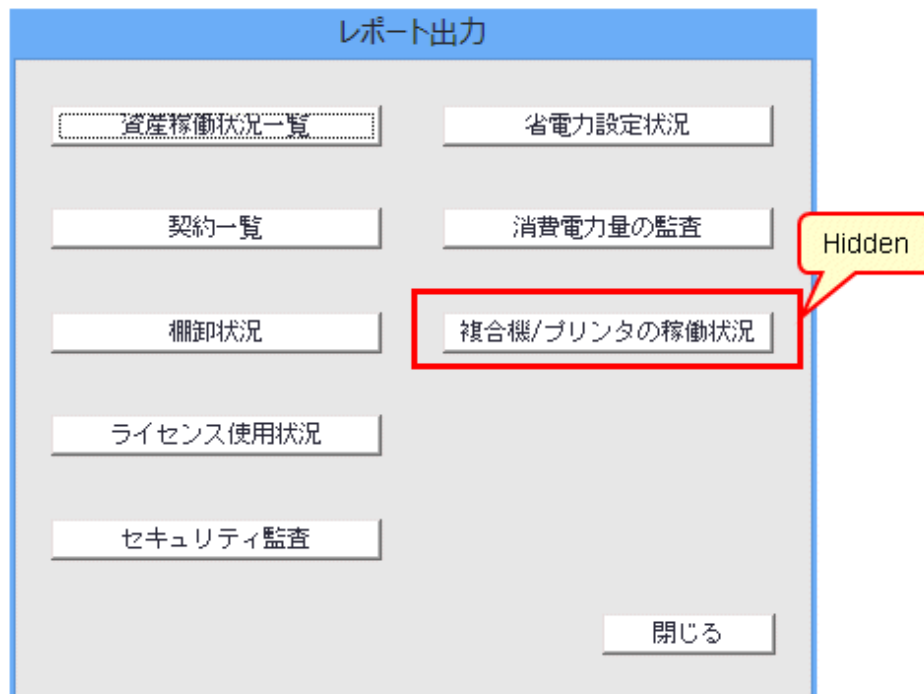
Power Consumption Status

The power consumption (kWh) is output in the same manner as the global version.



3.2.3 Integrating with All-In-One and Regular Printers

When the Japanese version of AC is used with the global version of CS, the following button is not displayed, and the operation status report of the all-in-one and regular printers cannot be generated.



Chapter 4 Notes

This chapter provides notes on centralized management.

4.1 Notes on Operation

- When performing centralized management using the Japanese version of CS, you must execute SWDTP_config.exe to change the encoding format of I/O files to UTF-8.
- Data may not display properly on PCs running Windows versions older than Windows Server 2008 R2/Windows 7 in which the language pack for the data to be displayed on the screen has not been installed.
- To use JIS2004 on Windows Server 2003, you must install JIS2004-compliant fonts.
- The Japanese version of the power consumption report outputs power consumption fees in Japanese yen, and includes CTs of sites outside Japan.
- Messages are notified to CTs regardless of the language used on the CTs. Therefore, specify messages that users of the global version of CT can handle, such as English only or English and Japanese.
- When specifying messages or distributing software for older versions of CTs, only use characters that can be handled by the older versions.
 - When the target CT is the Japanese version, use characters that can be converted into Shift-JIS. However, if operating CS on a non-Japanese operating system, use ASCII only.
 - When the target CT is the global version, use ASCII only.
- If you continue using a software dictionary used in older versions, the CT security patch application window or software download window may display garbled software names. Therefore, promptly apply the software dictionary for V15.1.0 after upgrading.
- If you were using the English version of the software dictionary in an older version, the following notes apply to security patches of Windows XP/Windows Server 2003 or earlier operating systems, and Office 2003 or earlier that are to be applied in older version:
 - If you apply the V15.1.0 software dictionary, an application error window may be displayed due to attempts to apply security patches for the English environment that were registered in older versions on CTs of the Japanese environment.
In the **Security Patches Distribution** window under the main menu, clear selection of the application check for security patches for use in Japanese environments, and instead select the application check for English environments. If you want to apply security patches to a Japanese environment, select the application check for security patches for use in Japanese environments again, and register the security patches again.
 - If you apply the V15.1.0 software dictionary, the application checks for security patches for use in Japanese language environments will be cleared in the **Policy Group Management > Patch Installation Policy** window under the main menu, and the security patches will not be applied.
In the main menu, select the **Policy Group Management > Patch Installation Policy** window, and clear the application check for security patches that will not be applied to English environments. If the security patches are to be applied to Japanese environments, select the application check.
 - If you apply the V15.1.0 software dictionary, the application checks will be selected for security patches for use in Japanese environments instead of English environments in the **Settings of Software Auditing** under the main menu.
In the **Settings of Software Auditing** window under the main menu, select the audit check for security patches for use in English environments. If you do not require an audit of security patches for Japanese environments, clear selection of the audit check.
When you collect inventory information that uses a software dictionary for which the check was selected again, the correct audit result will be displayed in the main menu.
- When the Japanese version of AC is used to connect with the global version of CS, the file format of device information files or contract information files used in the Collective Registration/Modification for Asset Information feature will always be UTF-8.
- Note the following regarding collection when the Japanese or global version of CS is used for centralized management:
 - A device migrated to the collection destination CS is regarded as a new device for history information collection.
 - The power consumption auditing reports output power consumption information up to 32 days before CT migration for the migrated PC as past operation information.

- User information item names are aligned with those in CS that performs centralized management.

Values specified for user information in the environment setup window of CT in the existing environment are deleted from environments in which the item names are changed. The user information of the CT environment setup window must be specified again after constructing the centralized management environment.

4.2 Connection to an Older Version

Connections to CS from older versions of the CT are supported regardless of whether the Japanese or global version is used.

However, when connecting an older version of the CT to V15.1.0 of CS, and CS is using a different installation language to CT, you are required to relay V15.1.0 of DS using the same language as the CT.

Also, regarding SS and AC, connections to older versions are not supported even if the same language is used. Use of SS/AC is required after upgrading to V15.1.0.

| Version of connection source component | Connection source component | Installation language | V15.1.0 of CS | | Notes |
|--|-----------------------------|-----------------------|---------------|--------|---------------------------------|
| | | | Japanese | Global | |
| V15.1.0 | CT/ADT | Japanese | Y | Y | |
| | | Global | Y | Y | |
| | SS/AC | Japanese | Y | Y | |
| | | Global | Y | Y | |
| V15.0.1 or earlier | CT (*1)(*2) | Japanese | Y (*3) | Y (*4) | |
| | | Global | Y (*4) | Y (*3) | |
| | ADT | Japanese | Y | Y | |
| | | Global | Y | Y | |
| | SS/AC | Japanese | N | N | Upgrade to V15.1.0 is required. |
| | | Global | N | N | |

*1: You need to execute CustomPolicy to allow connections from V15.0.1 or earlier of DS and CT (-sv.connect.oldEdition). Refer to the *Systemwalker Desktop Patrol Reference Manual* for details.

*2: Display messages for CT and names of software and files that can be distributed, are limited to character types compatible with older versions of CT.

*3: Only possible when relaying V15.1.0 of DS with the same installation language as CT, or when connecting directly to CS.

*4: Connections are only possible when relaying V15.1.0 of DS with the same installation language as CT.

4.3 Date and Time

Centralized management supports dates and times for multiple locales. The date and time that is displayed in each window and the dates and times to be specified in the schedules are explained below.

Displayed date and time

The date and time that is displayed in each window, file, and command is explained below.

- Date and time that is detected on CS

The CS operation date and time, such as the date and time when the operation status is collected or the date and time of detection when performing a batch network check, is expressed in local time of CS.

- Date and time that is detected on a client (CT)

The client (CT) operation date and time, such as the date and time of inventory collection, or the date and time of ADT detection, is expressed in local time of the client (CT).

- Date and time of entry by the user

The date and time entered by the user, such as the contract date or stocktaking date, is displayed as is, regardless of the locale.

- Date and time of the **Message Sending** action

The message window on the CT displays the CS date and time of the **Message Sending** action click in the main menu. As a result, the client PC may display a different time if the CS is located on another time zone.

Date and time to be specified in a schedule

The dates and times to be specified in the schedules are explained below.

- Dates and times of the schedule for CS

For the dates and times of the schedule for CS, such as collection of the operation status or batch network check, the specified dates and times are handled based on the local time of CS.

Example: If you configure a CS that is operating on Japan time to operate at 09:00, it will operate at 09:00 Japan time.

- Dates and times of the schedule for DS

For the dates and times of the schedule for DS, such as **Specify hour(s) of receiving distribution software**, the specified dates and times are handled based on the local time of DS.

Example: If you configure a DS that is operating on Japan time to operate at 09:00, it will operate at 09:00 Japan time.

- Dates and times of the schedule for a client (CT)

For the dates and times of the schedule for clients (CTs), such as the timeframe for inventory collection, the specified dates and times are handled based on the local time of the client (CT).

Example: If you configure a client to operate at 09:00, it will operate based on the local time (at 09:00 at the site where it is installed, whether within or outside Japan).

Appendix A Reference

A.1 Command Reference

A.1.1 CSConnector.exe (Changing Upstream Host)

Description

Change the upstream host of DS.

Syntax

```
CSConnector.exe -host nameOfNewUpstreamHost [-inv inventoryTxPort] [-cont swDistributionPort]
```

Option

-host *nameOfNewUpstreamHost*

Specifies the name of the new upstream host.

This item cannot be omitted.

-inv *inventoryTxPort*

Specifies the port number to be used by the upstream host to transmit inventory, using a number from 1 to 65535.

This item is optional. If omitted, the default is 2856.

-cont *swDistributionPort*

Specifies the port number to be used by the upstream host to distribute software, using a number from 1 to 65535.

This item is optional. If omitted, the default is 2922.

Return value

0: Ended normally

Other than 0: Ended abnormally

Command location

The following folder of DS:

```
dsInstallDir\FJSVsbtrs\bin
```

Example: C:\Program Files\Fujitsu\Systemwalker Desktop patrol\FJSVsbtrs\bin

Privilege required for execution/execution environment

- Execute as a user with Administrator privileges.

If using Windows Server 2008/2012, execute this command on the command prompt with administrator privileges.

- This command must be executed on DS.

Note

- Before using this command, stop the Systemwalker Desktop Patrol DS service:

1. Click **Control Panel** > **Administrative Tools** > **Services**.
2. Select **ITBudgetMGR (INV)**, and click **Action** > **Stop**.

- After using this command, start the Systemwalker Desktop Patrol DS service:
 1. Click **Control Panel > Administrative Tools > Services**.
 2. Select **ITBudgetMGR (INV)**, and click **Action > Start**.
- This command only changes the configuration information of DS, and does not perform communication with the upstream host. Communication can be performed after the ITBudgetMGR (INV) service is started.

Example

```
"C:\Program Files\Fujitsu\Systemwalker Desktop Patrol\FJSVsbtrs\bin\CSCconnector.exe" -host cs.example.com
```

Execution result/output format

If setup is completed successfully, the following message will be output.

```
"C:\Program Files\Fujitsu\Systemwalker Desktop Patrol\FJSVsbtrs\bin\CSCconnector.exe" -host cs.example.com  
Ended normally.
```

A.2 Message Reference

This section describes messages output by CSCconnector.exe (changing upstream host command) during installation and setup.

A.2.1 Messages Output by CSCconnector.exe (Changing Upstream Host Command)

Ended normally.

Cause

-

Action

Processing ended normally, so no action needs to be taken.

Invalid parameter.

Cause

An invalid parameter was specified.

Action

Specify a valid option, and then execute the command again.

DS is not installed.

Cause

The command was not executed using Systemwalker Desktop Patrol DS.

Action

Use Systemwalker Desktop Patrol DS to execute this command.

Insufficient memory.

Cause

There may be insufficient memory.

Action

Exit all other applications, and then execute the command again.

Another instance of this command is already running.

Cause

An instance of the command is already running.

Action

Wait until the instance of the command currently running completes, and then execute the command again.

The service ITBudgetMGR (INV) is running. After stopping the service, try executing the command again.

Cause

The ITBudgetMGR (INV) service has started.

Action

Stop the ITBudgetMGR(INV) service and then execute the command again.

Setup failed.

Cause

An error occurred while executing CSCconnector.exe.

Action

Contact the service desk.